



US00D984626S

(12) **United States Design Patent**
Picken et al.

(10) **Patent No.:** **US D984,626 S**
(45) **Date of Patent:** **** Apr. 25, 2023**

(54) **ODOR ABSORBER**

(71) Applicant: **Beaumont Products, Inc.**, Kennesaw, GA (US)

(72) Inventors: **Jeffrey M. Picken**, Kennesaw, GA (US); **Joseph P. Perushek**, Baraboo, WI (US)

(73) Assignee: **BEAUMONT PRODUCTS, INC.**, Kennesaw, GA (US)

(**) Term: **15 Years**

(21) Appl. No.: **29/731,551**

(22) Filed: **Apr. 16, 2020**

(51) **LOC (14) Cl.** **23-04**

(52) **U.S. Cl.**
USPC **D23/367**

(58) **Field of Classification Search**
USPC D1/107; D7/506; D9/414, 609, 611, D9/756; D15/90, 135, 136; D23/332, D23/333, 355-369; D24/102; D25/2; D30/129, 159, 199

CPC A61L 9/03; A61L 9/04; A61L 9/05; A61L 9/12; A61L 9/14; A61L 9/012; A61L 9/015; A61L 9/048; A61L 9/127

See application file for complete search history.

(56) **References Cited**

U.S. PATENT DOCUMENTS

D571,929 S * 6/2008 Palmer, III D25/2
D656,280 S * 3/2012 St. Clair D30/129
D676,202 S * 2/2013 Hansen D30/199

D697,687 S * 1/2014 Kerr D1/107
D785,779 S * 5/2017 Paris D24/102
D819,901 S * 6/2018 Bone D30/199
D827,800 S * 9/2018 Bumpass D23/366
D868,953 S * 12/2019 McKendree D23/366
D902,504 S * 11/2020 Katopis D30/159
D938,831 S * 12/2021 Picken D9/756

OTHER PUBLICATIONS

Beaumont Products, Inc. "Citrus Magic Pet Odor Control Paws." www.amazon.com. Tues. Jan. 11, 2021. Shown in p. 1. Pet Odor Control Paw for Litter Boxes. Available from URL: https://www.amazon.com/Citrus-Magic-Litter-Controlling-Breeze/dp/B01LBF8L6W/ (Year: 2016).*

* cited by examiner

Primary Examiner — Gino Colan

Assistant Examiner — David Obrien

(74) *Attorney, Agent, or Firm* — Thomas Horstemeyer, LLP

(57) **CLAIM**

The ornamental design for an odor absorber, as shown and described.

DESCRIPTION

FIG. 1 is a perspective view of an odor absorber showing the new design;

FIG. 2 is a top view thereof;

FIG. 3 is a bottom view thereof;

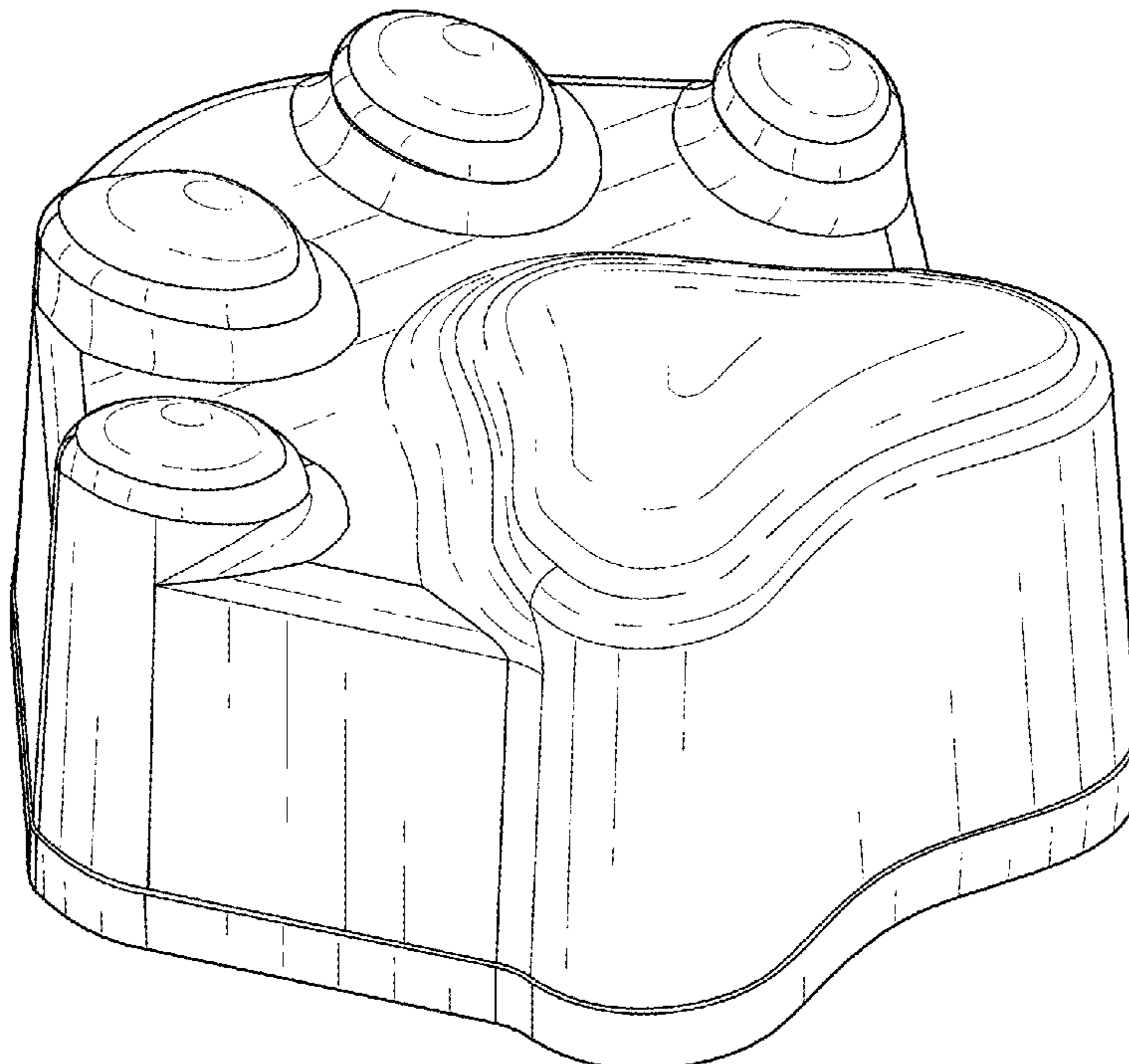
FIG. 4 is a left side view thereof;

FIG. 5 is a right side view thereof;

FIG. 6 is a front view thereof; and,

FIG. 7 is a rear view thereof.

1 Claim, 6 Drawing Sheets



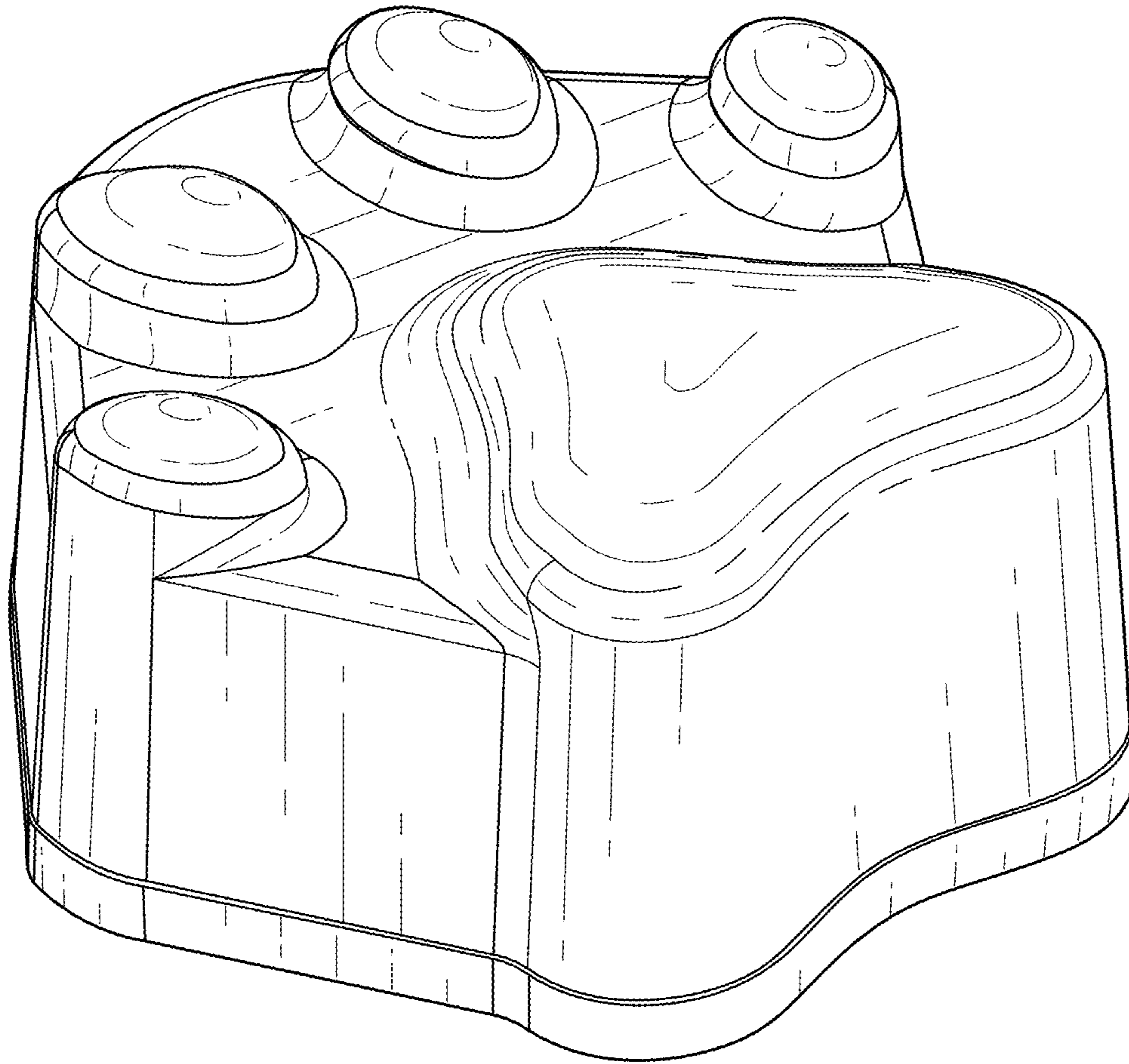


FIG. 1

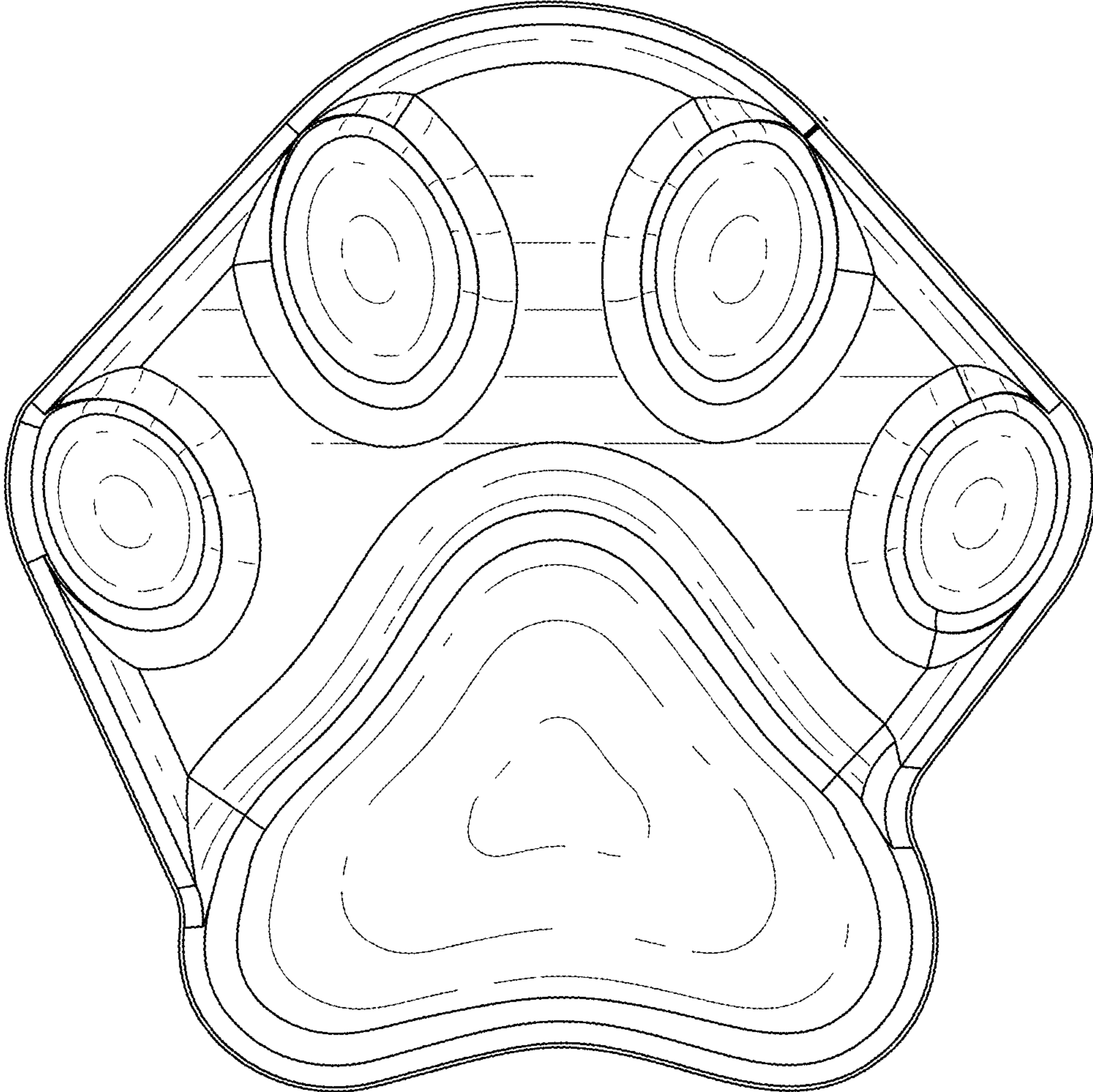


FIG. 2

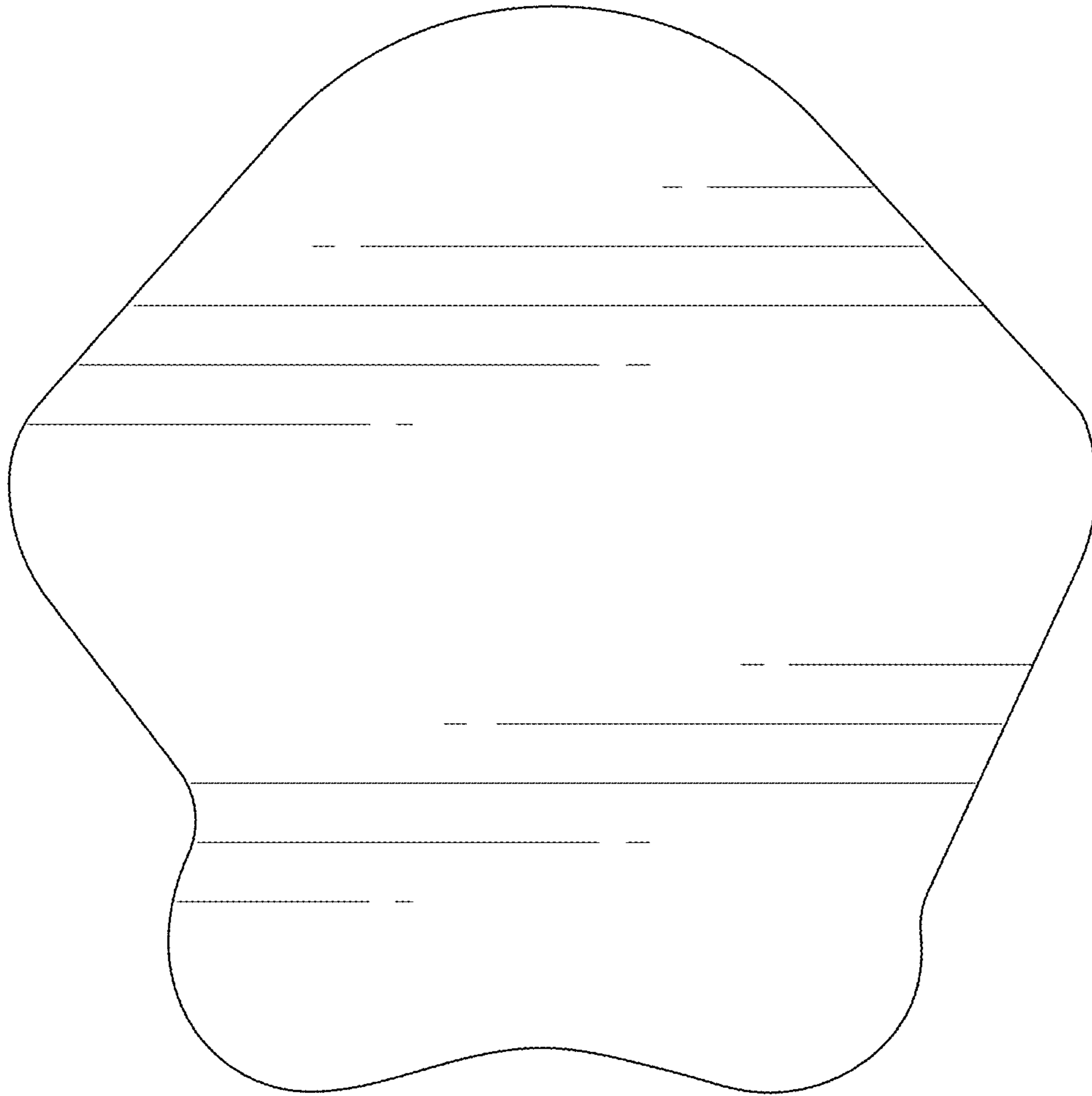


FIG. 3

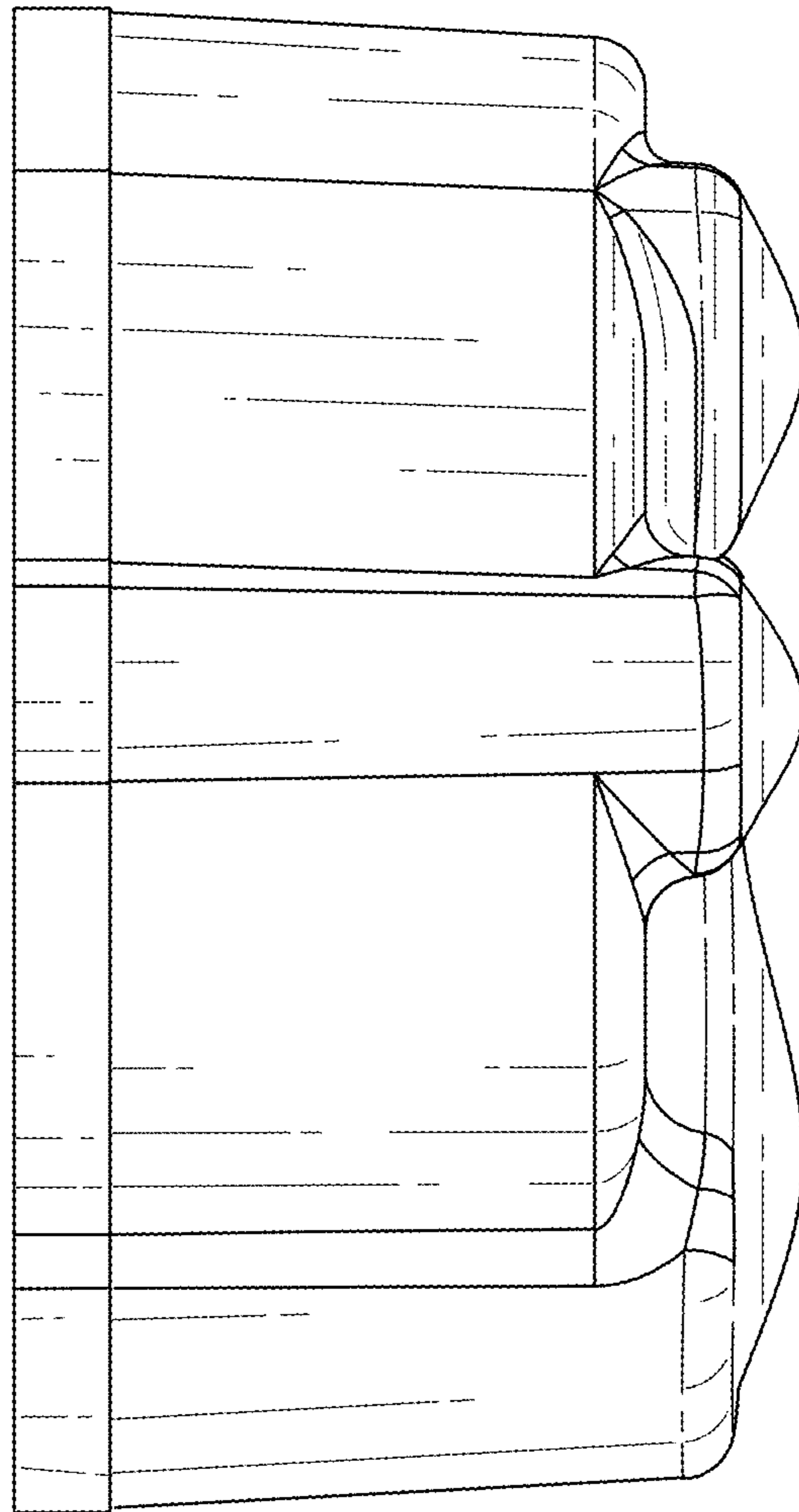


FIG. 4

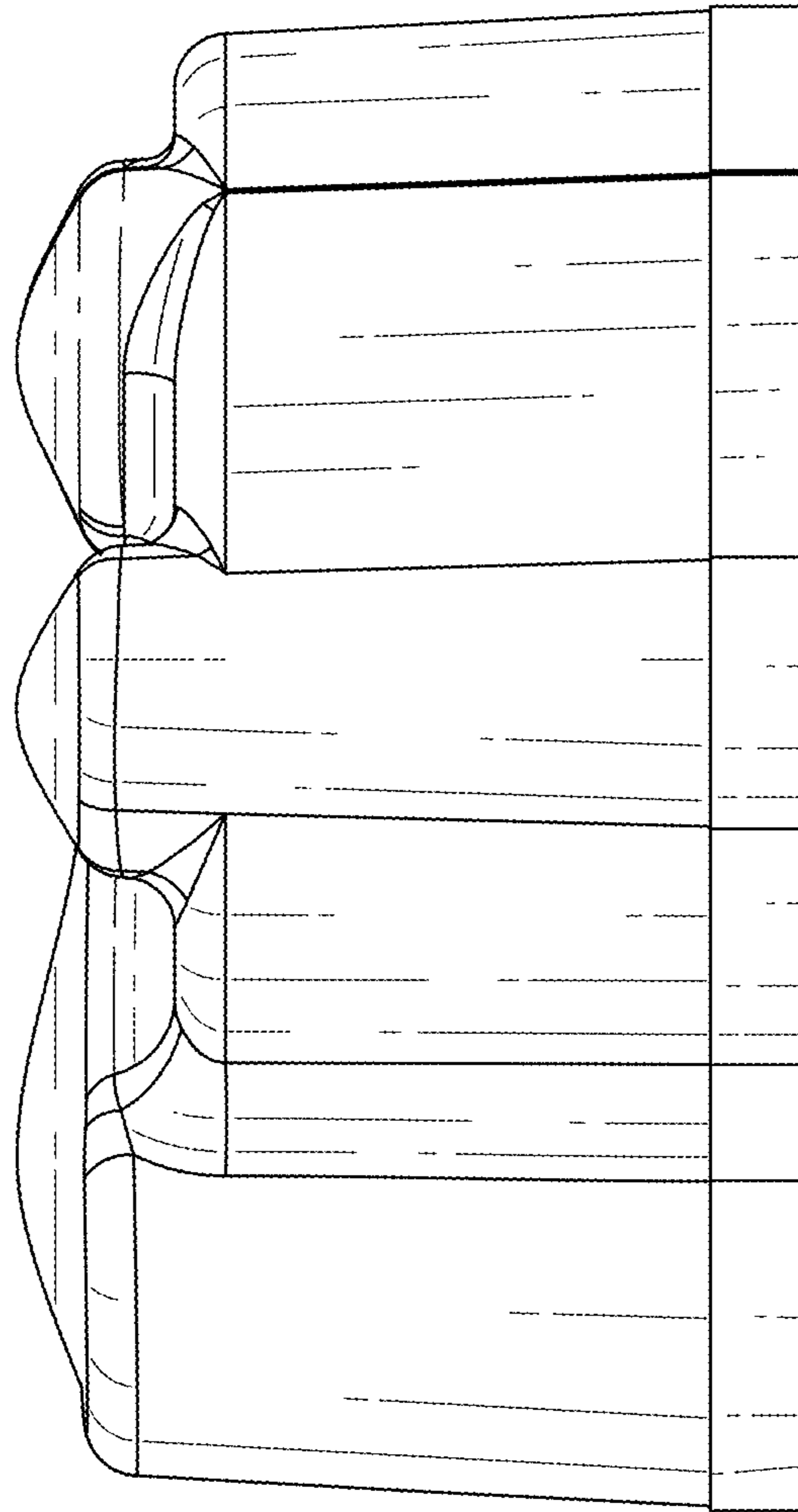


FIG. 5

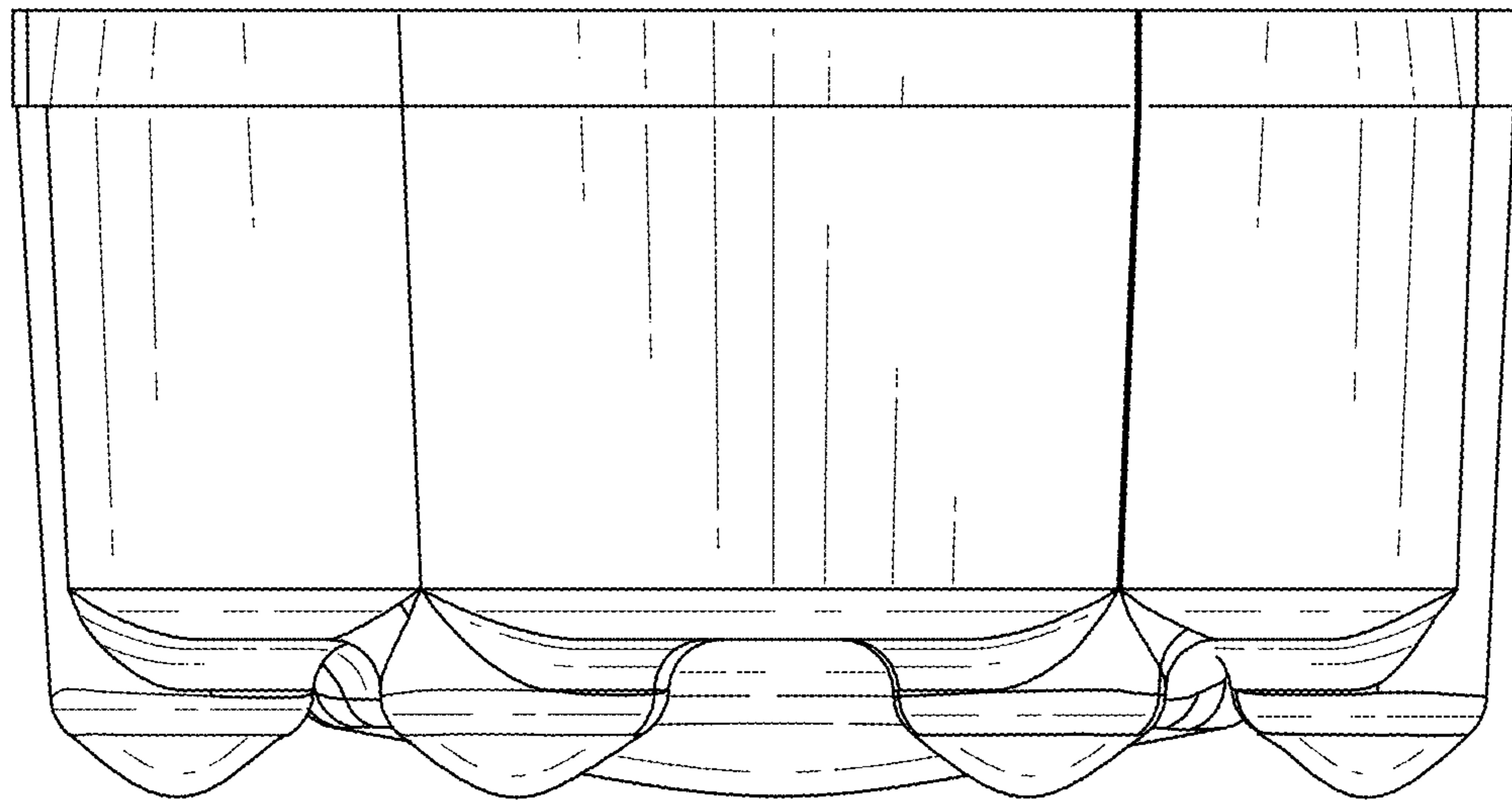


FIG. 6

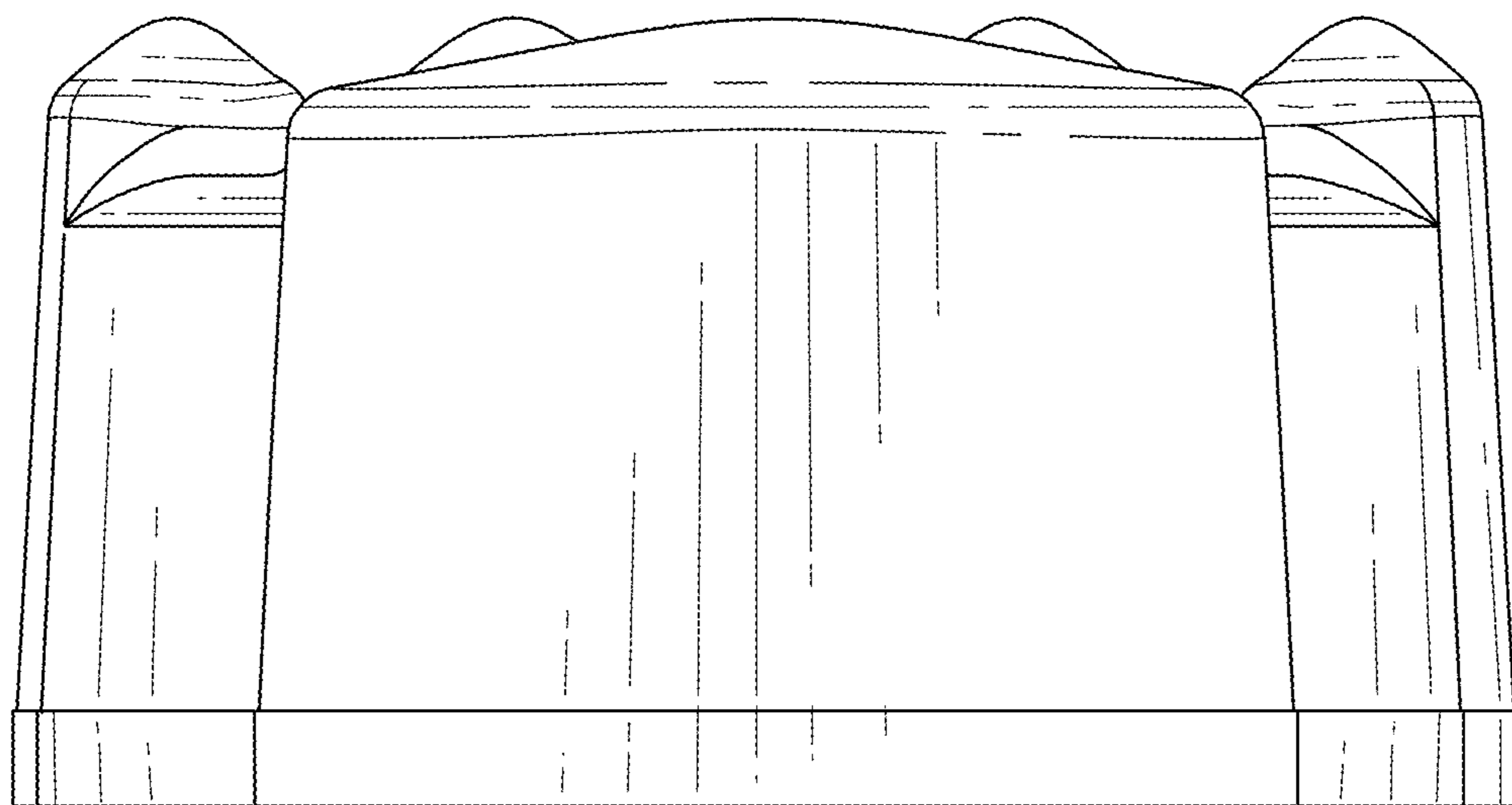


FIG. 7