



US00D984625S

(12) **United States Design Patent** (10) **Patent No.:** **US D984,625 S**
Lee (45) **Date of Patent:** **** Apr. 25, 2023**

(54) **AROMA DIFFUSER**

261/89; B01D 46/10; B01D 46/0005;
B01D 46/2411; A01G 13/0243

(71) Applicant: **PUZHEN LIFE CO., LTD**, Hong Kong (HK)

See application file for complete search history.

(72) Inventor: **Andy Lee**, Hong Kong (HK)

(56) **References Cited**

(73) Assignee: **PUZHEN LIFE CO., LTD**, Hong Kong (HK)

U.S. PATENT DOCUMENTS

(**) Term: **15 Years**

D820,427 S *	6/2018	Li	D23/366
D850,595 S *	6/2019	Li	D23/366
D902,882 S *	11/2020	Kwak	D14/496
D920,494 S *	5/2021	Shah	D23/366
D925,719 S *	7/2021	Lee	D23/366
D959,407 S *	8/2022	Pupecki	D14/216

(21) Appl. No.: **29/819,804**

* cited by examiner

(22) Filed: **Dec. 17, 2021**

Primary Examiner — Gino Colan
Assistant Examiner — David Obrien

(30) **Foreign Application Priority Data**

(57) **CLAIM**

Jul. 9, 2021 (CN) 202130433045.9

The ornamental design for an aroma diffuser, as shown and described.

(51) **LOC (14) Cl.** **23-04**

DESCRIPTION

(52) **U.S. Cl.**
USPC **D23/366**

(58) **Field of Classification Search**

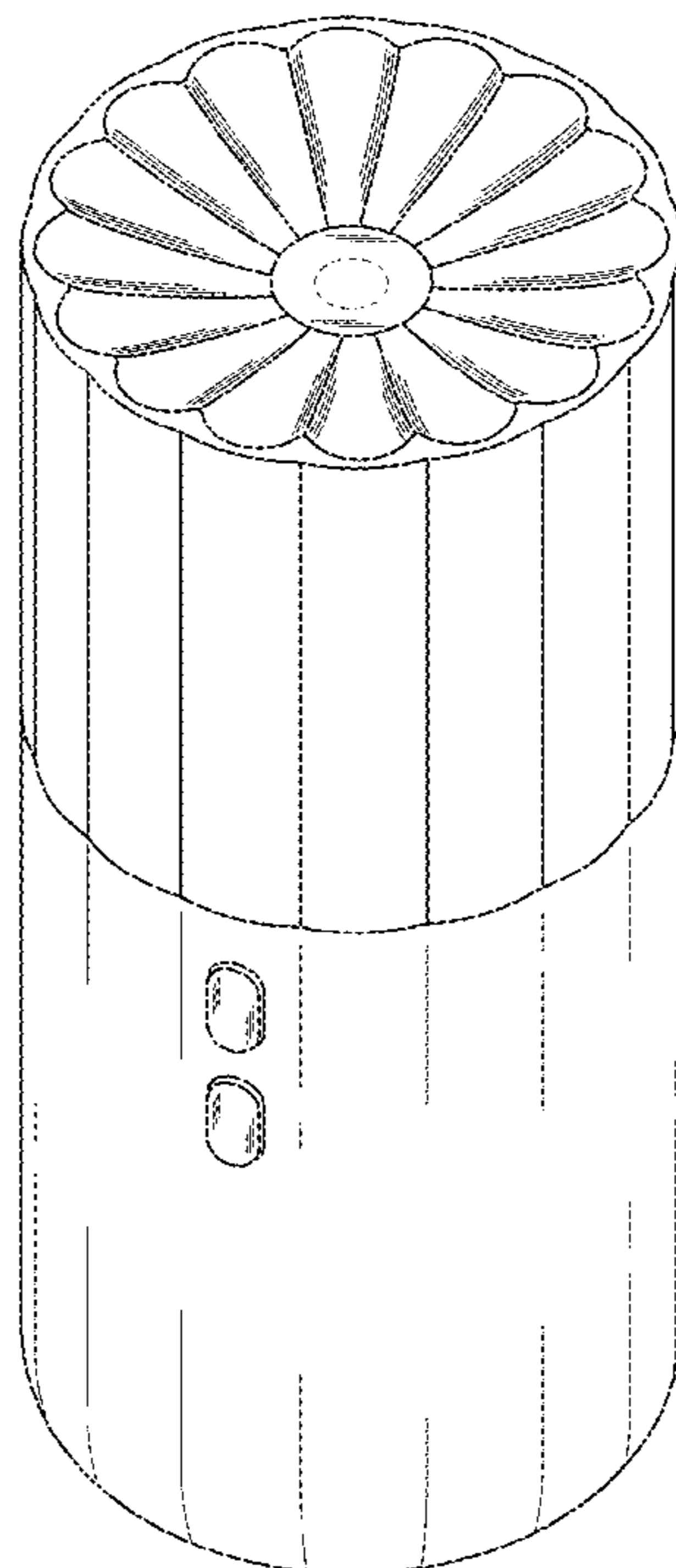
USPC D7/509, 510; D11/143, 152; D14/195, D14/204, 221, 228; D23/207, 208, 209, D23/213, 223, 333, 335, 336, 351, 352, D23/353, 355, 356, 358, 359, 360, 362, D23/364–366; D24/108, 112, 129; D26/26, 37, 40, 46, 49

CPC F24F 6/00; F24F 6/06; F24F 1/00; F24F 1/02; F24F 1/022; A47G 7/06; A61M 11/02; A61M 11/041; A61L 9/00; A61L 9/03; A61L 9/12; A61L 9/122; A61L 2209/11; A61L 2209/14; A61L 2209/133; Y10S 261/17; Y10S 261/88; Y10S

FIG. 1 is a top, front and right side perspective view of an aroma diffuser showing my new design;
FIG. 2 is a bottom, rear and left side perspective view thereof;
FIG. 3 is a front elevational view thereof;
FIG. 4 is a rear elevational view thereof;
FIG. 5 is a left side view thereof;
FIG. 6 is a right side view thereof;
FIG. 7 is a top plan view thereof; and,
FIG. 8 is a bottom plan view thereof.

The broken lines in the drawings illustrate portions of the aroma diffuser which form no part of the claimed design.

1 Claim, 8 Drawing Sheets



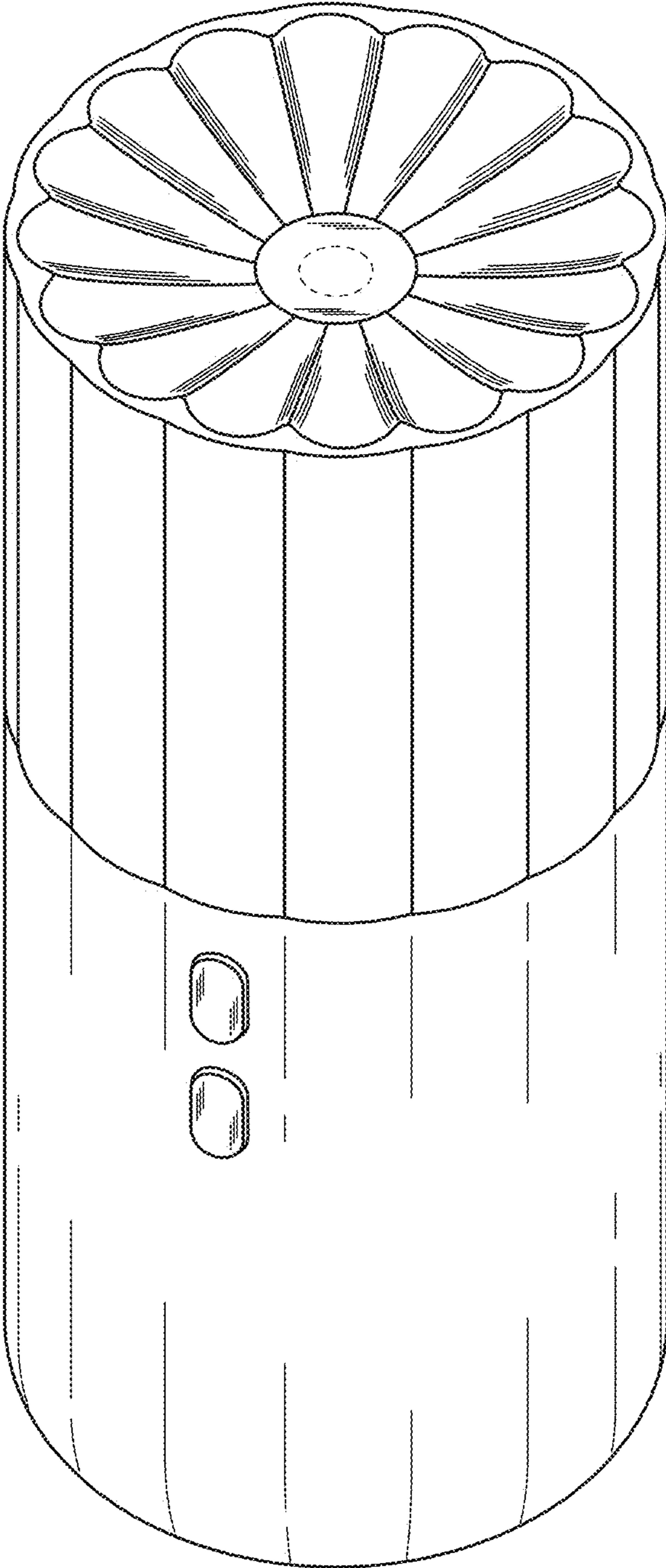


FIG. 1

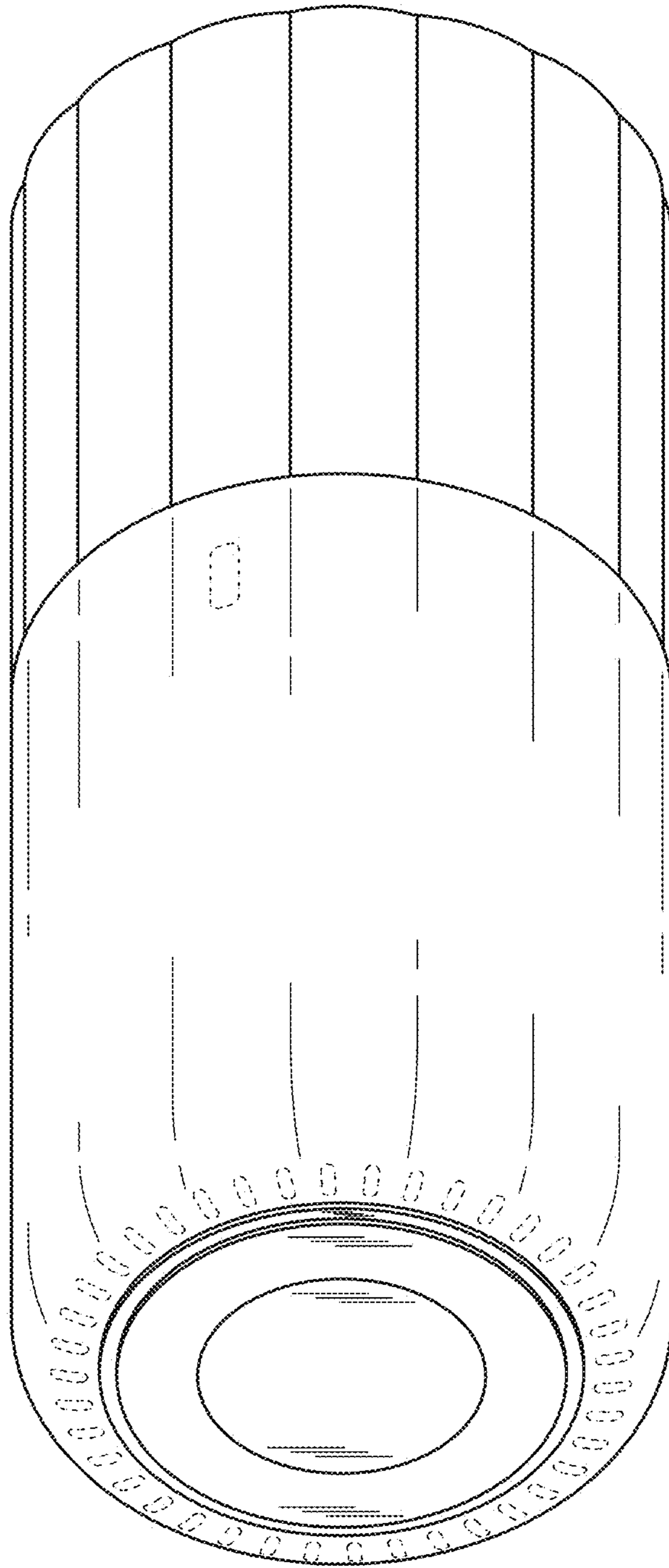


FIG. 2

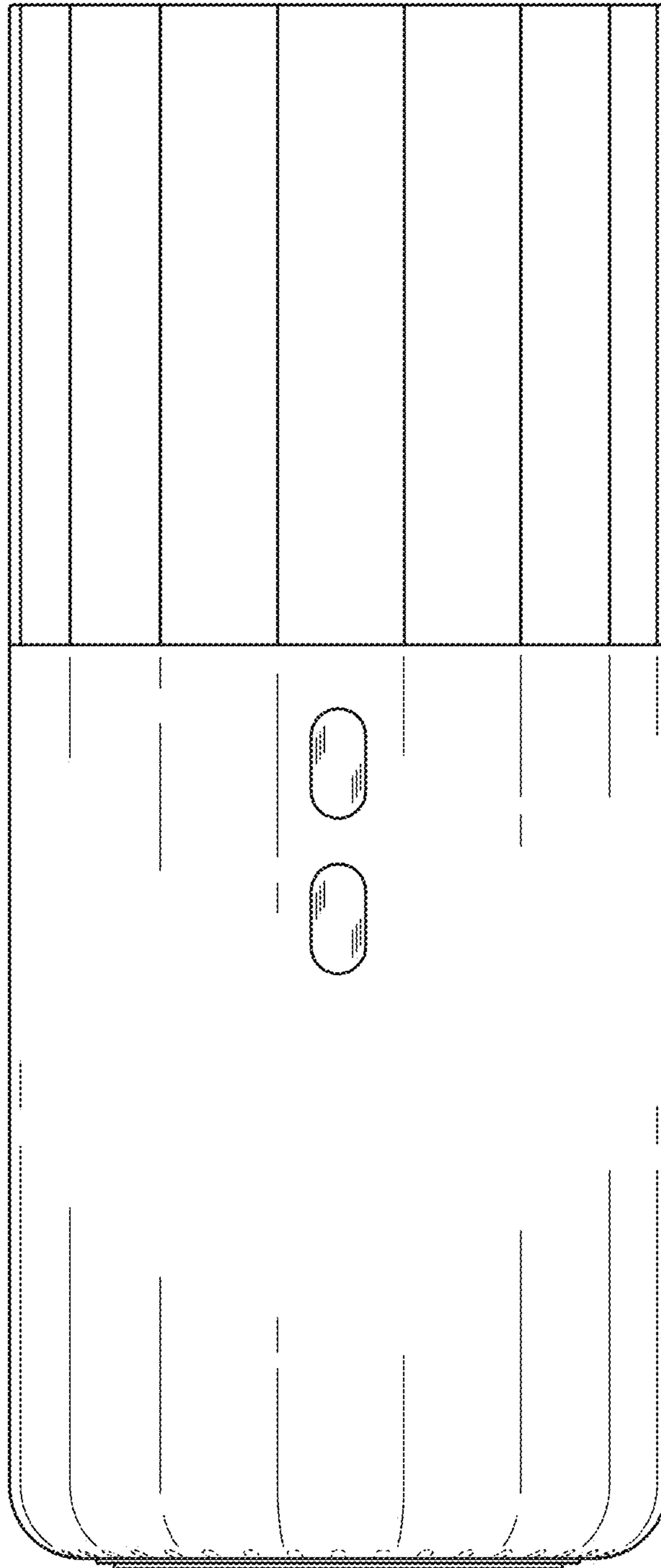


FIG. 3

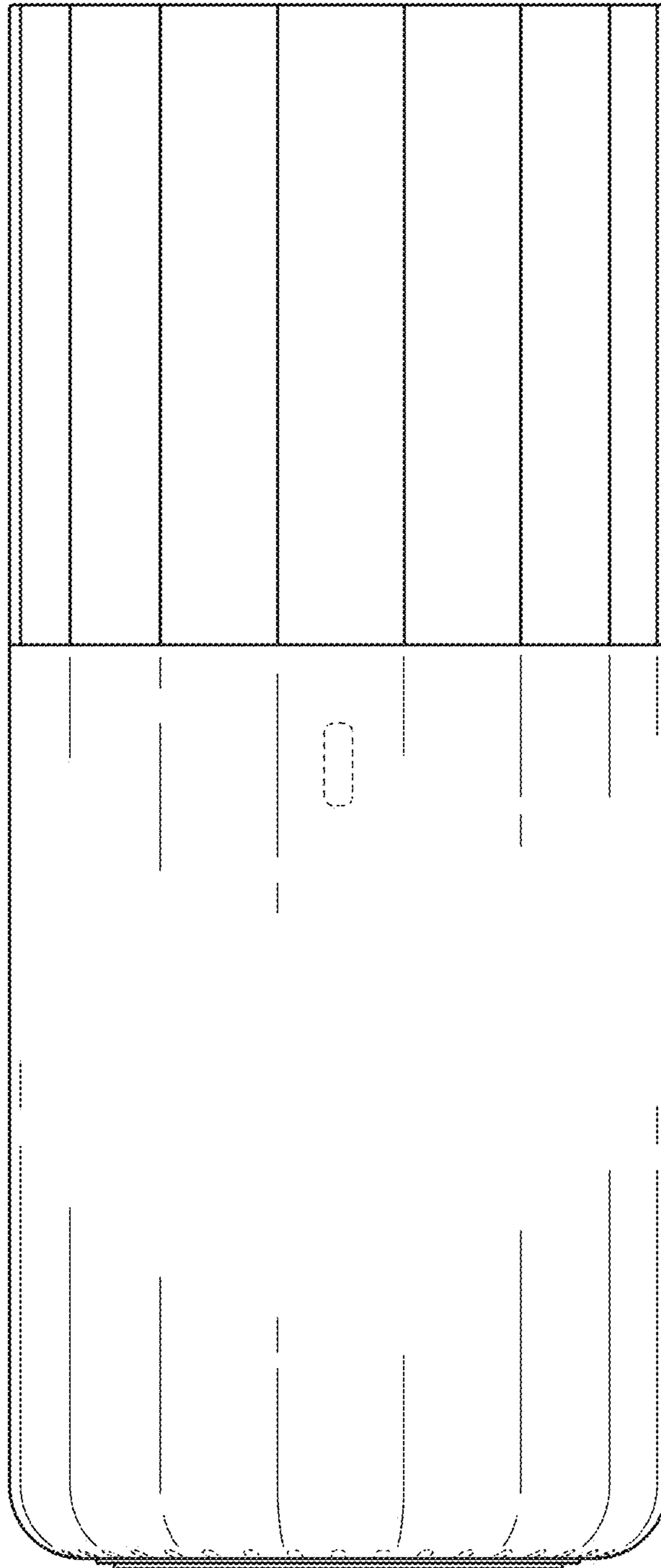


FIG. 4

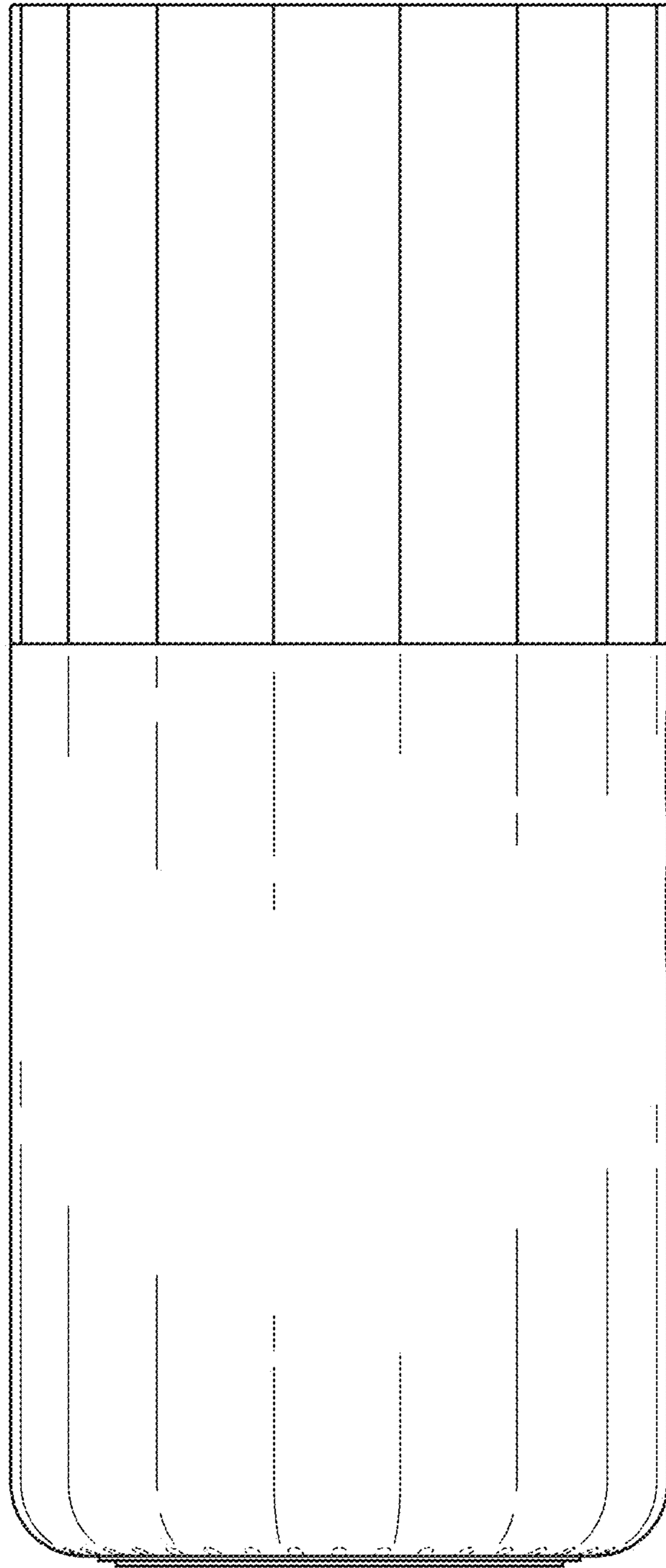


FIG. 5

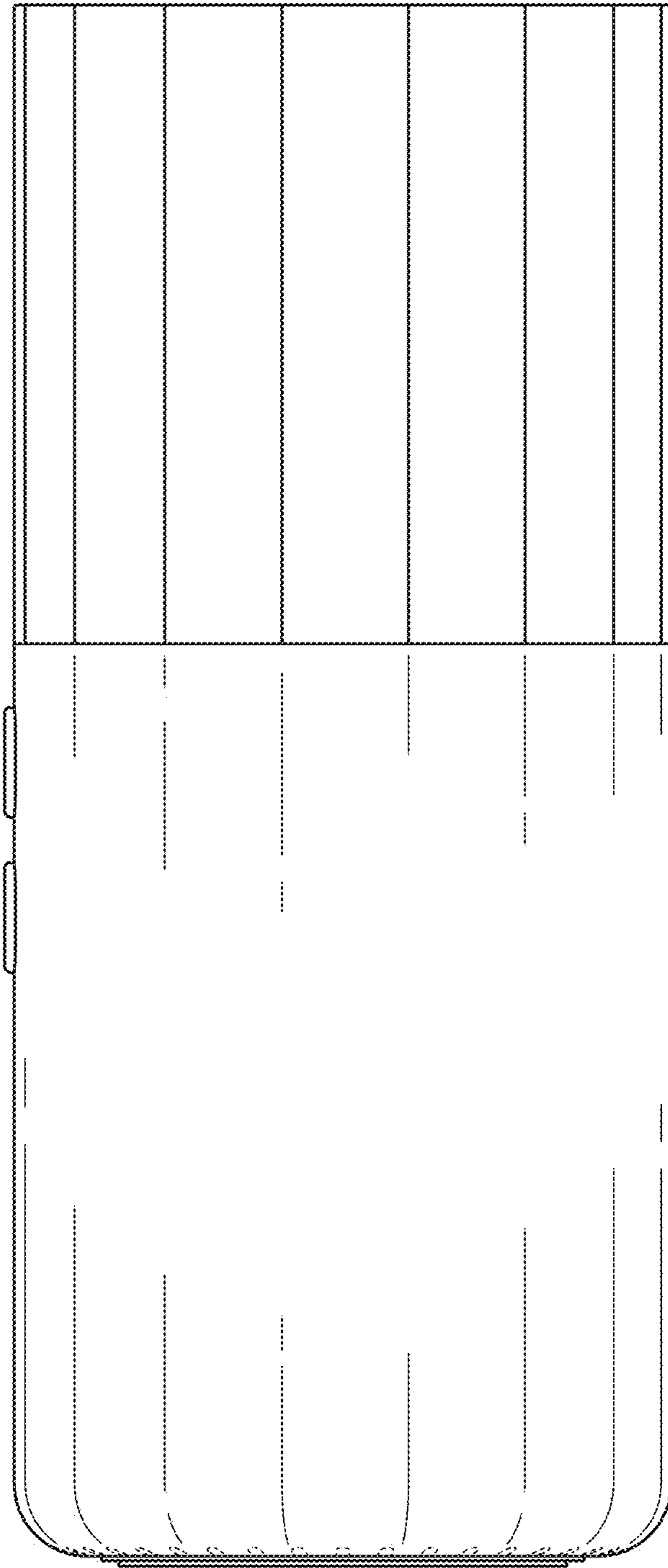


FIG. 6

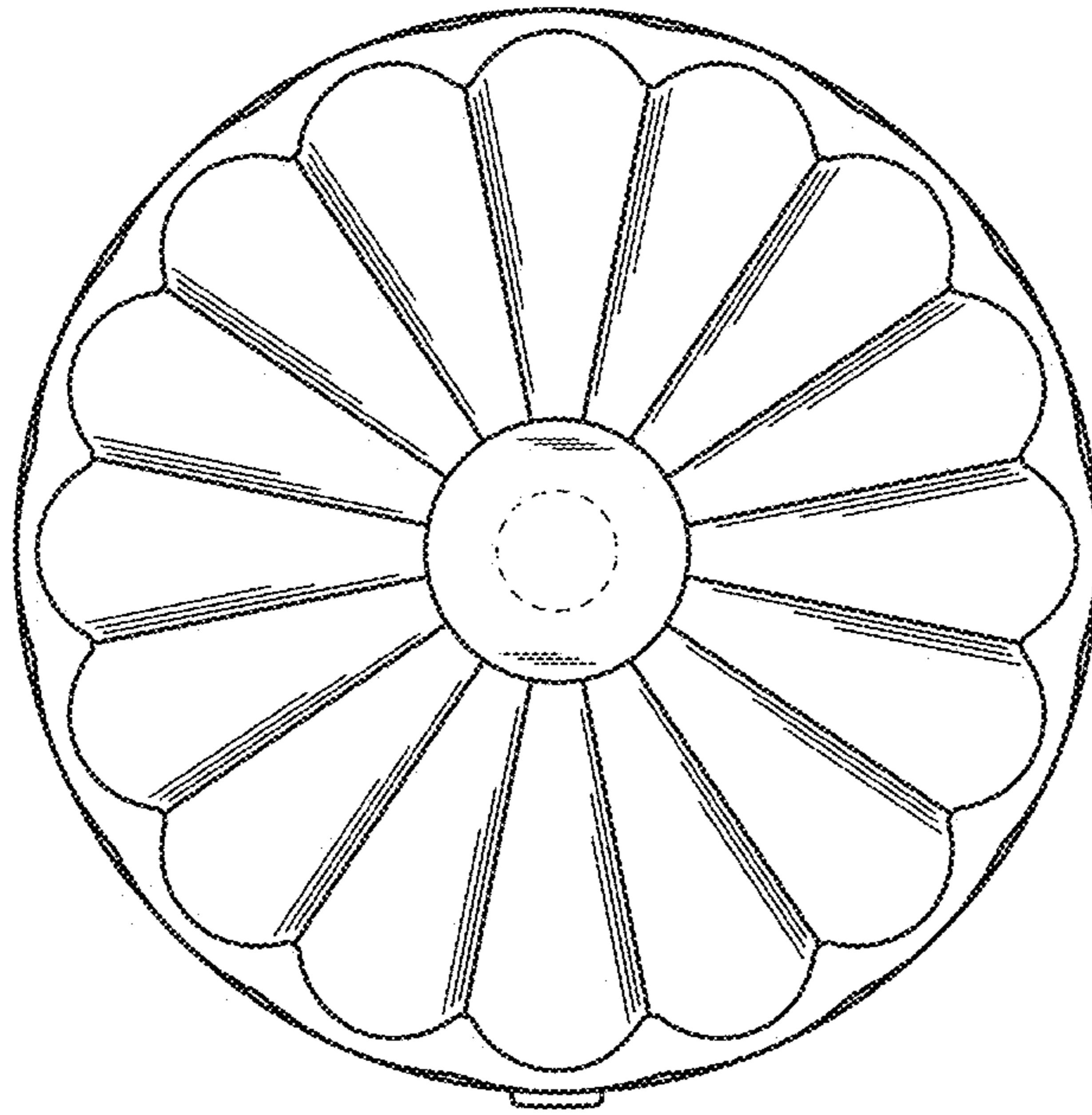


FIG. 7

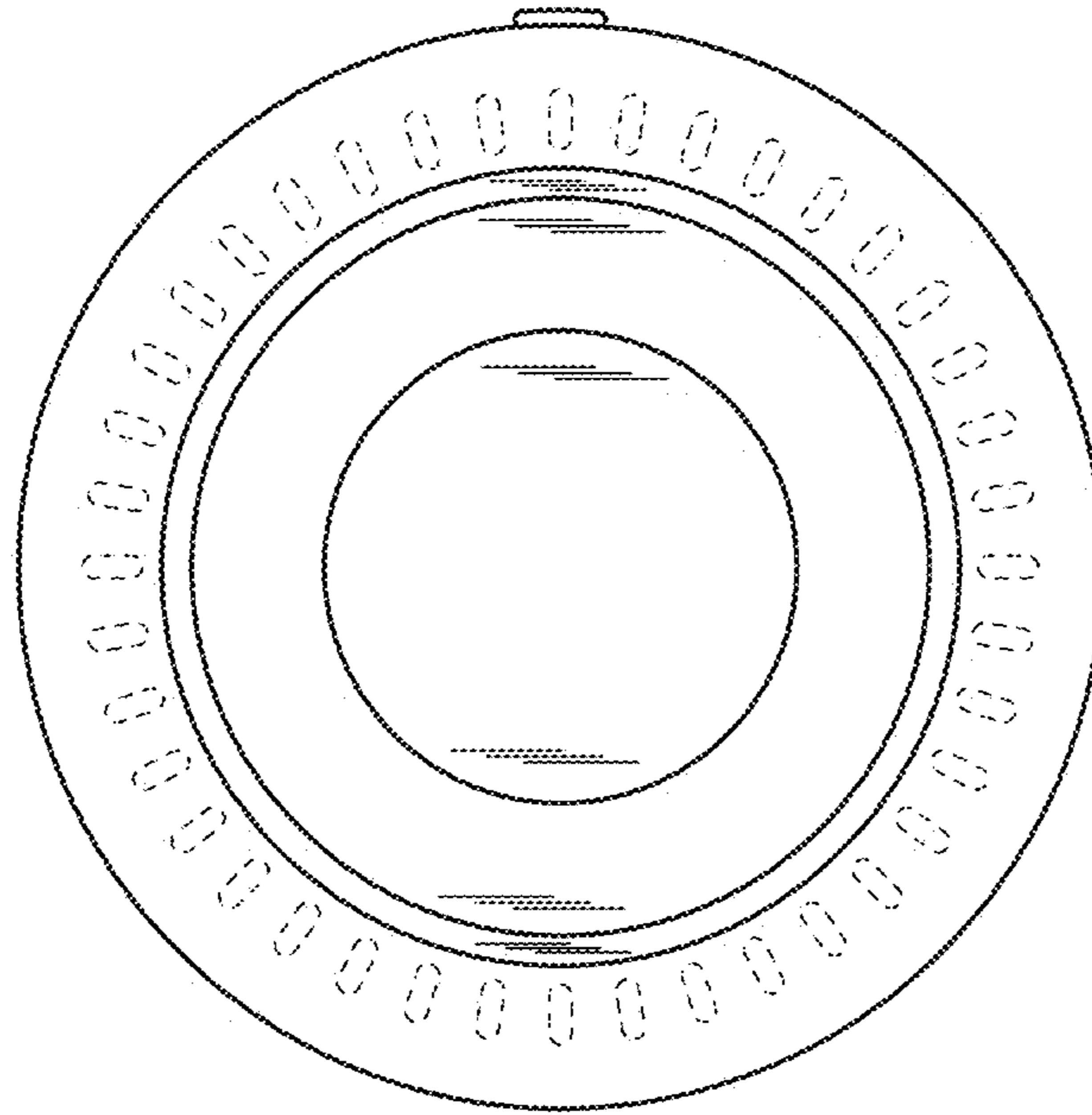


FIG. 8