



US00D984621S

(12) **United States Design Patent** (10) **Patent No.:** **US D984,621 S**  
**Huang** (45) **Date of Patent:** **\*\* Apr. 25, 2023**

- (54) **DEHUMIDIFIER**
- (71) Applicant: **Wenzhi Huang**, Puning (CN)
- (72) Inventor: **Wenzhi Huang**, Puning (CN)
- (\*\*) Term: **15 Years**
- (21) Appl. No.: **29/881,221**
- (22) Filed: **Dec. 29, 2022**
- (51) **LOC (14) Cl.** ..... **23-04**
- (52) **U.S. Cl.**  
USPC ..... **D23/359**
- (58) **Field of Classification Search**  
USPC ..... D23/200, 207, 225, 356–366, 370,  
D23/411–413; D24/177, 185  
CPC .. A61L 9/16; A61L 9/22; B01D 47/00; B01D  
47/027; B01D 2221/02; B01D 2259/4508;  
F24F 3/16; F24F 13/20; F24F 13/28  
See application file for complete search history.

(56) **References Cited**

U.S. PATENT DOCUMENTS

D171,553 S *	2/1954	Podall	.....	D23/356
D366,318 S *	1/1996	Lukac	.....	F24F 1/022
				D24/177
D368,770 S *	4/1996	Tanner	.....	D23/359
D376,419 S *	12/1996	Seaman	.....	D23/358
D395,492 S *	6/1998	Phillips	.....	D23/359
D627,855 S *	11/2010	Ito	.....	D23/200
D634,414 S *	3/2011	Wolfe	.....	D23/359
D678,494 S *	3/2013	Wolfe	.....	D23/359
D769,432 S *	10/2016	Dingle	.....	D23/359
D835,713 S *	12/2018	Xu	.....	D18/34.6
D866,738 S *	11/2019	Cui	.....	D23/359
D918,367 S	5/2021	Li		
D935,006 S	11/2021	Huang		

D936,197 S	11/2021	Wang		
D953,503 S *	5/2022	Zheng	.....	D23/359
2013/0047662 A1 *	2/2013	Black	.....	F24F 1/022
				62/498

FOREIGN PATENT DOCUMENTS

GB 6149937 \* 7/2021

\* cited by examiner

*Primary Examiner* — Jennifer Rivard

*Assistant Examiner* — Jonathan E Fiencke

(74) *Attorney, Agent, or Firm* — Rumit Ranjit Kanakia

(57) **CLAIM**

The ornamental design for a dehumidifier, as shown and described.

**DESCRIPTION**

FIG. 1 is a first perspective view of a dehumidifier showing my new design;

FIG. 2 is a second perspective view thereof;

FIG. 3 is a front view thereof;

FIG. 4 is a back view thereof;

FIG. 5 is a left side view thereof;

FIG. 6 is a right side view thereof;

FIG. 7 is a top view thereof;

FIG. 8 is a bottom view thereof;

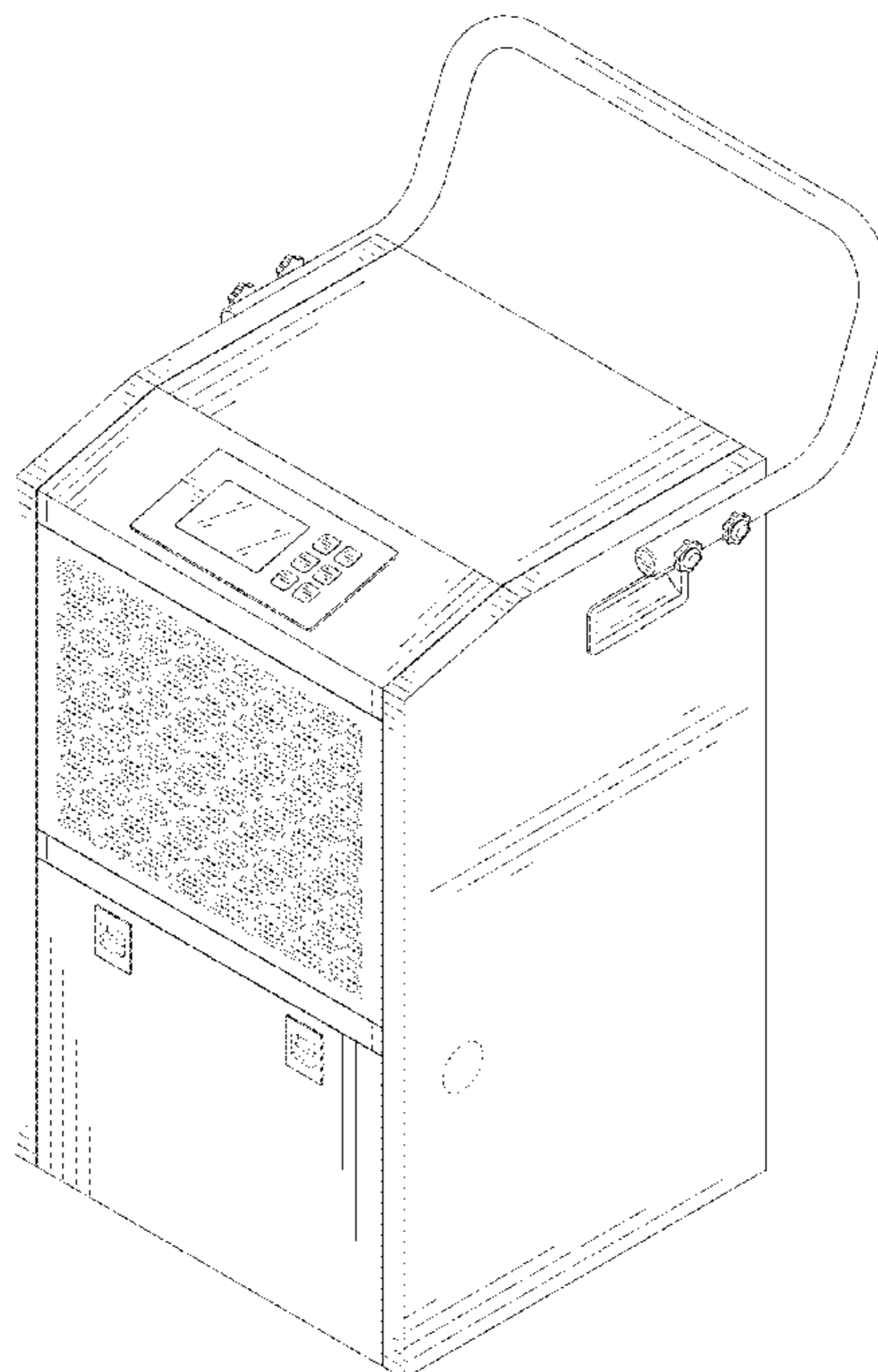
FIG. 9 is an enlarged view of the selected portion 9 in FIG. 2;

FIG. 10 is an enlarged view of the selected portion 10 in FIG. 2; and,

FIG. 11 is an enlarged view of the selected portion 11 in FIG. 2.

The broken lines shown in the drawings depict portions of the dehumidifier that form no part of the claimed design.

**1 Claim, 11 Drawing Sheets**



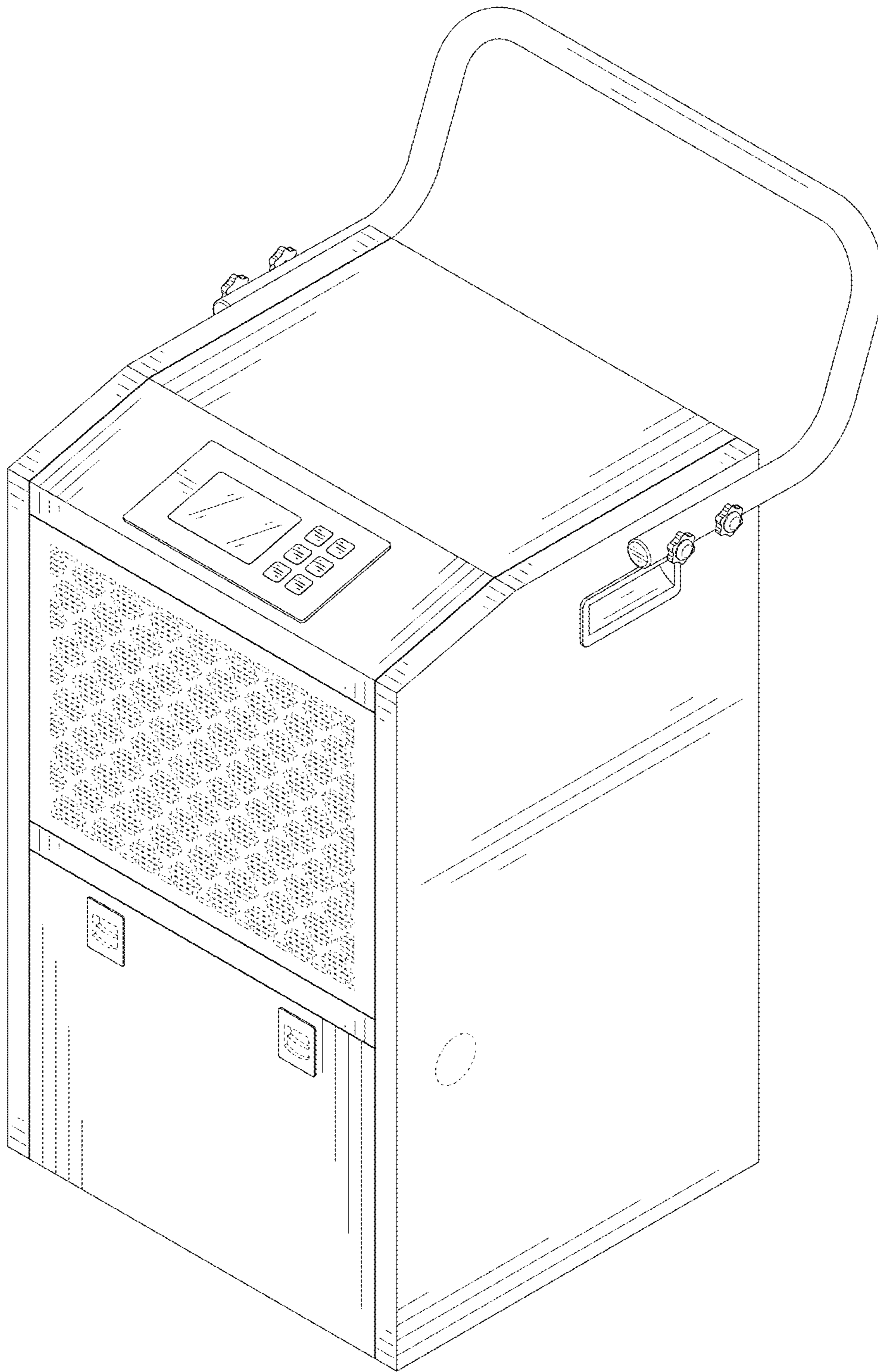


FIG. 1

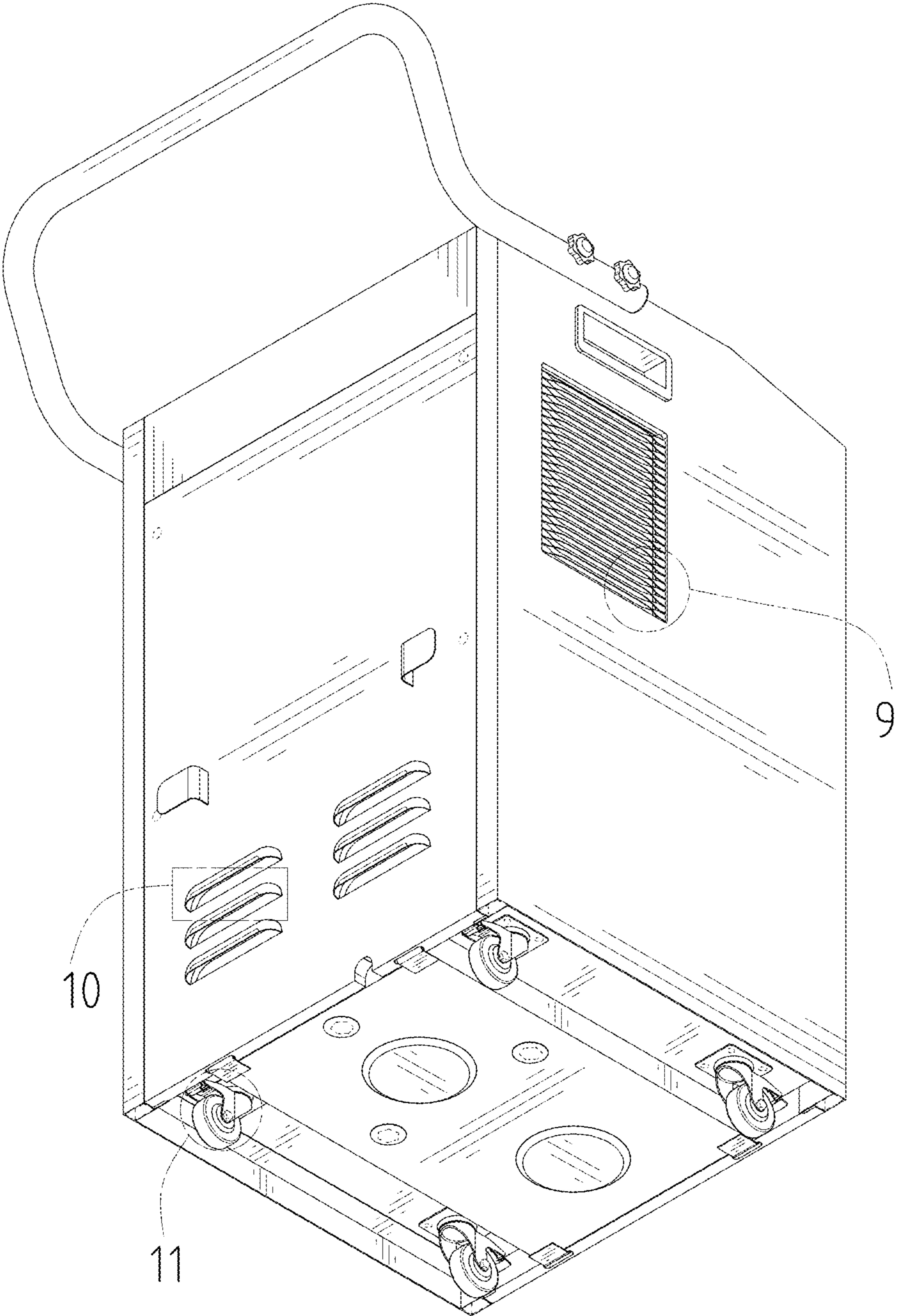


FIG. 2

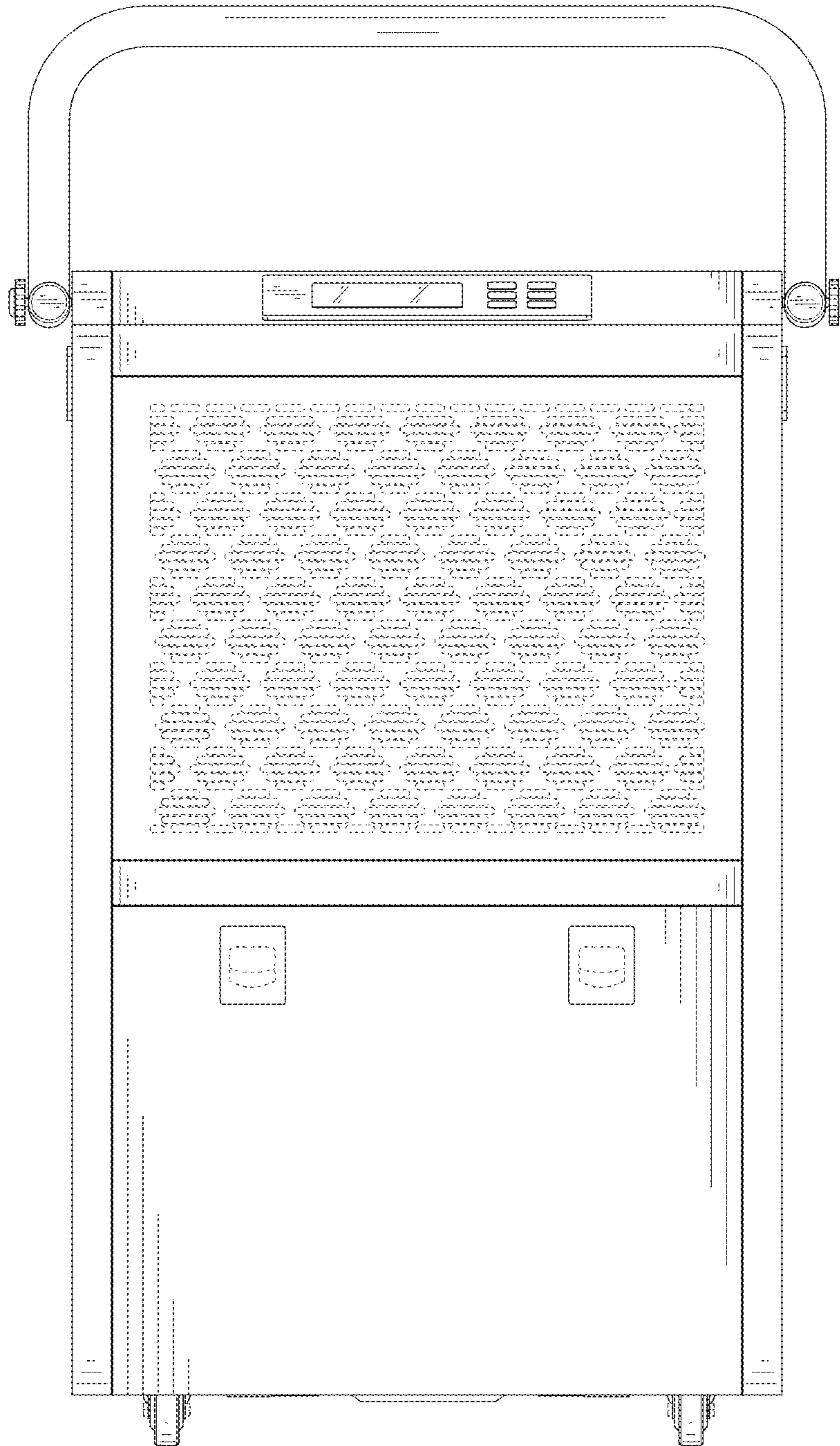


FIG. 3

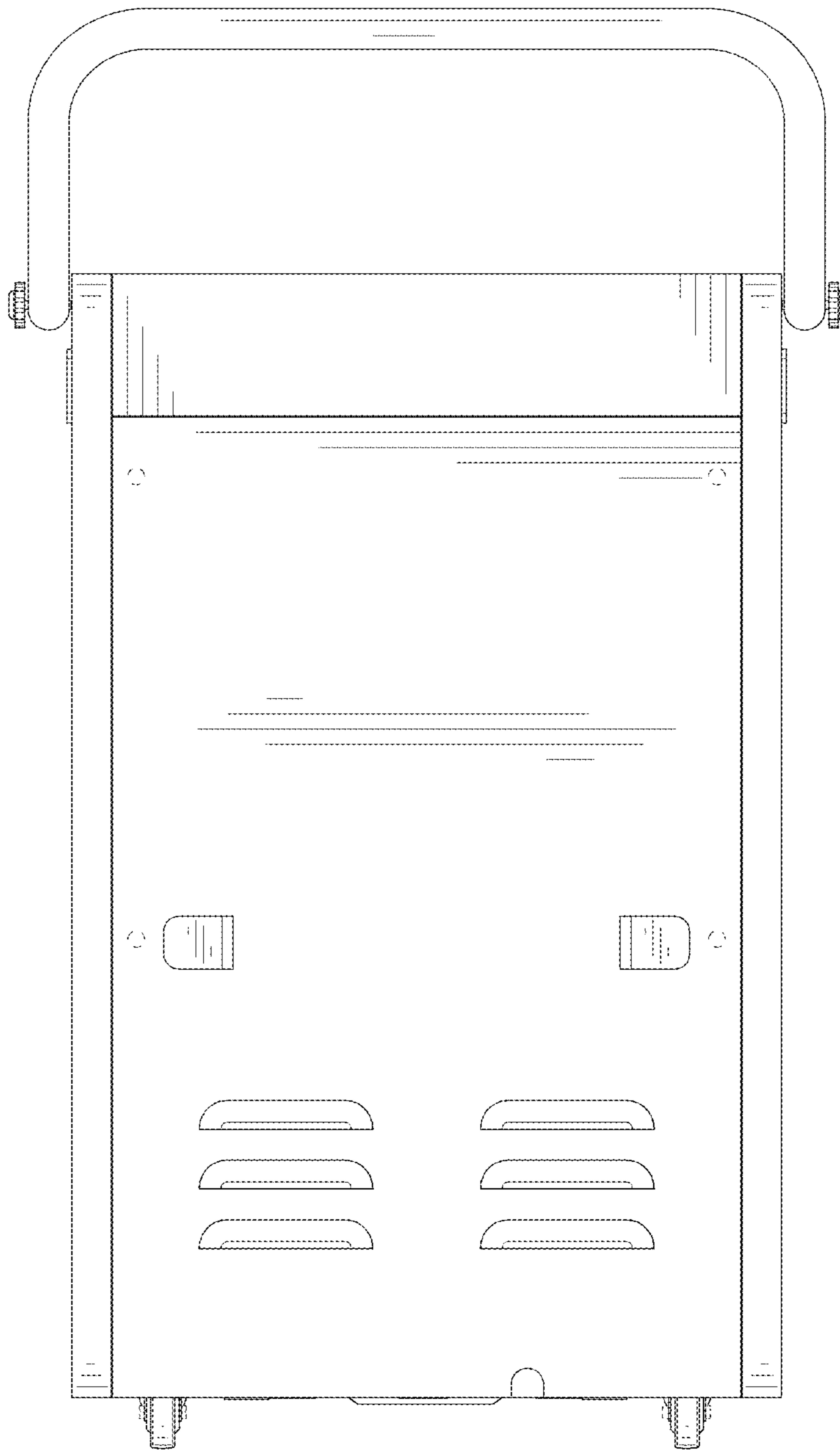


FIG. 4

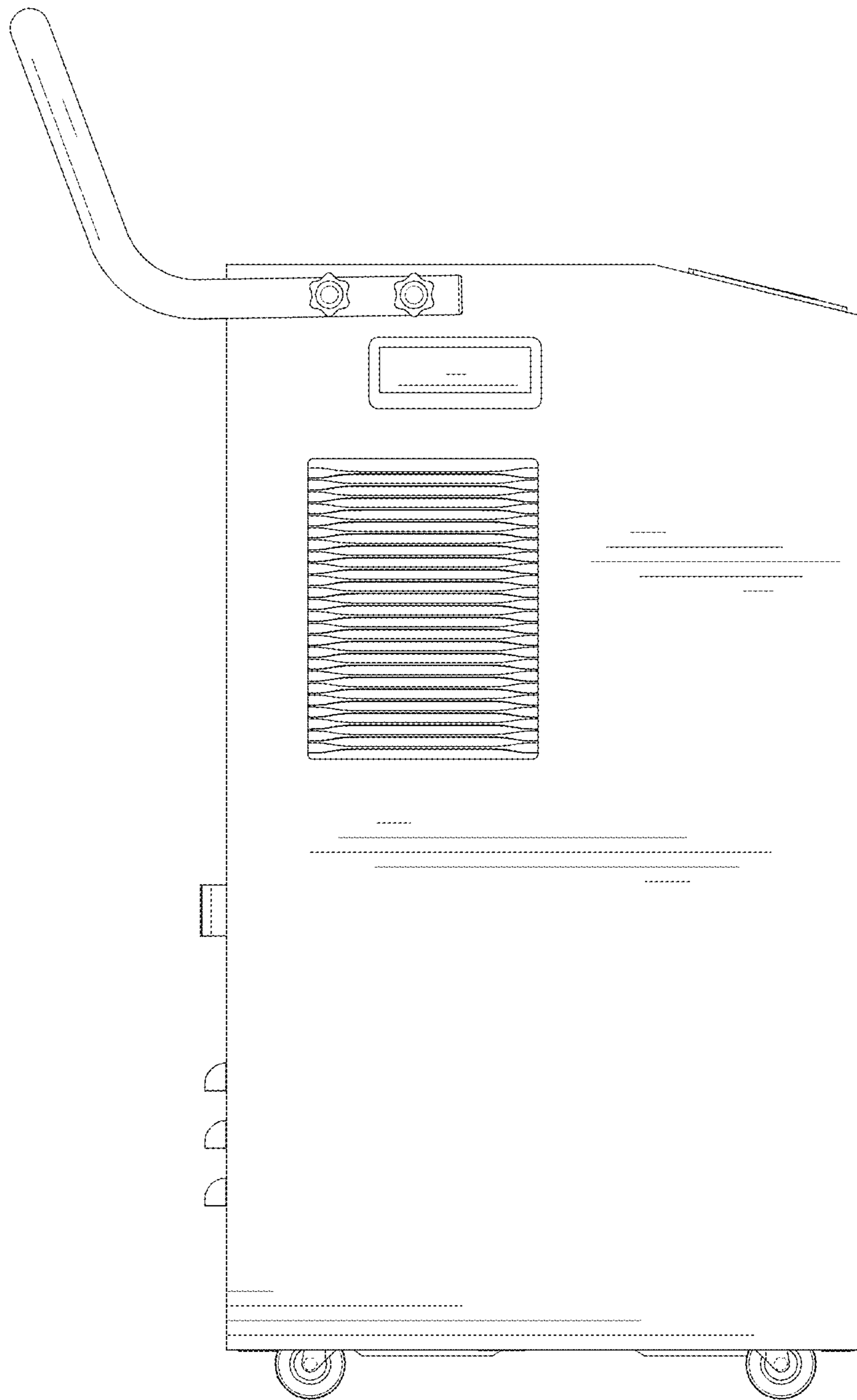


FIG. 5

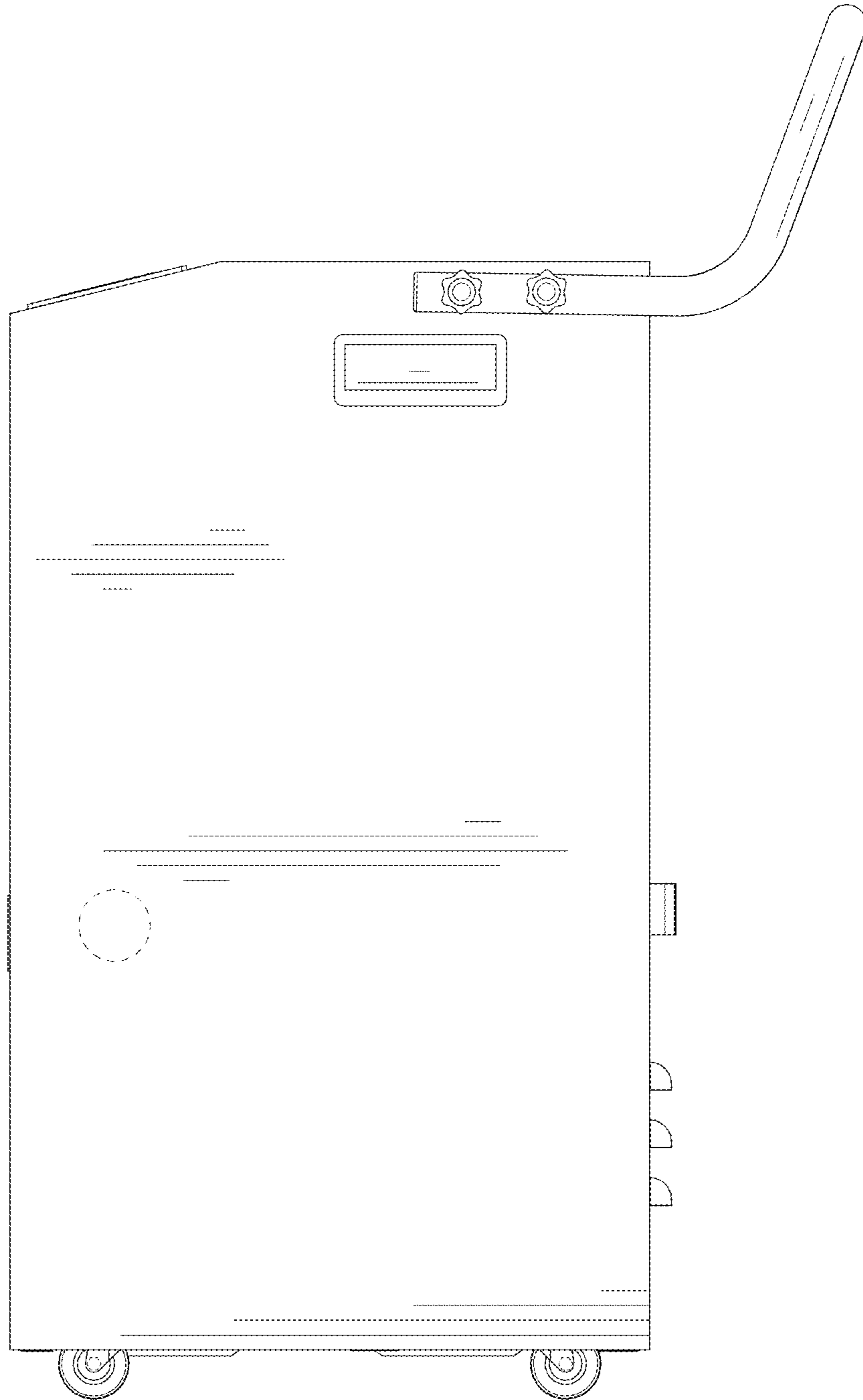


FIG. 6

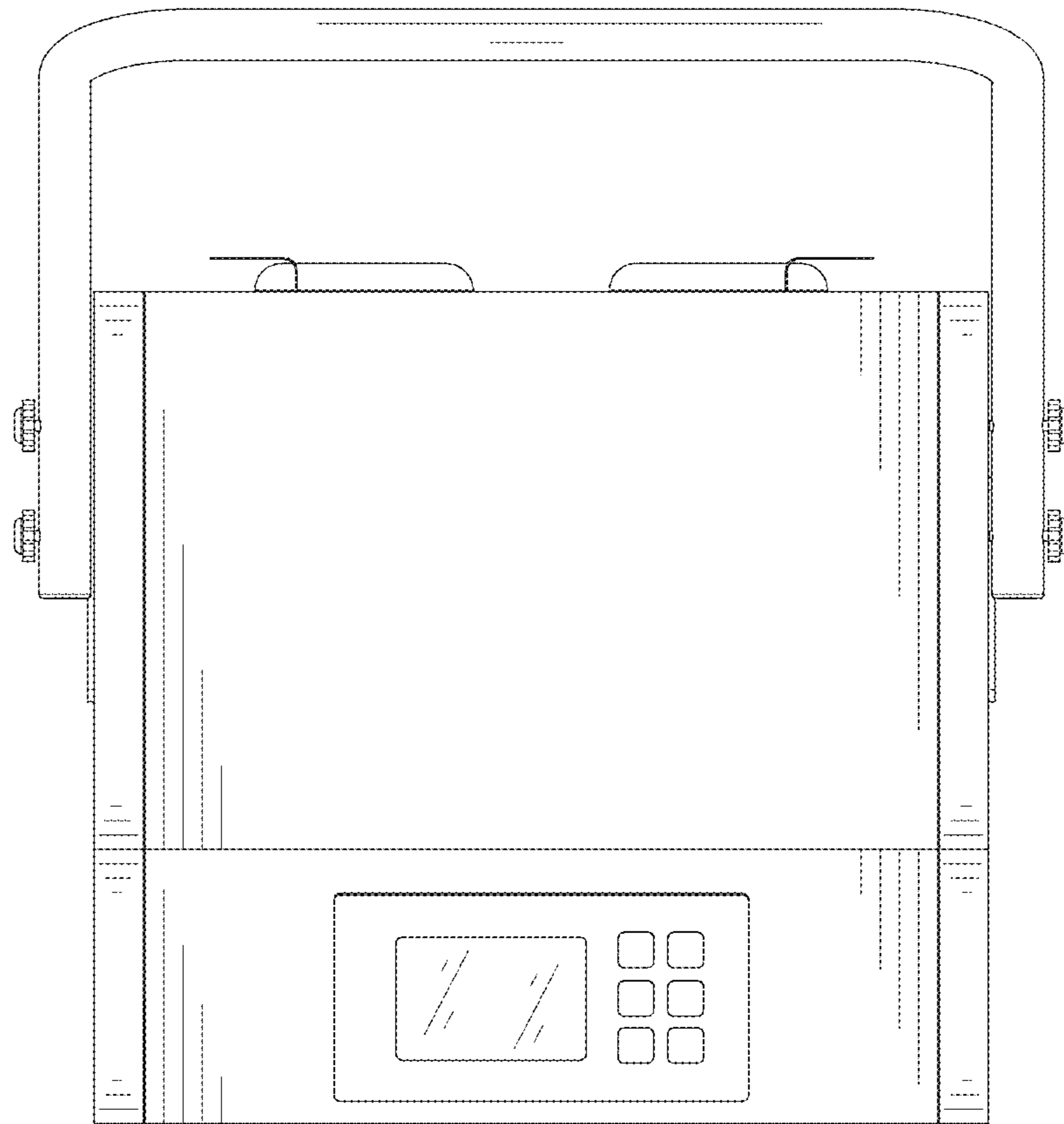


FIG. 7



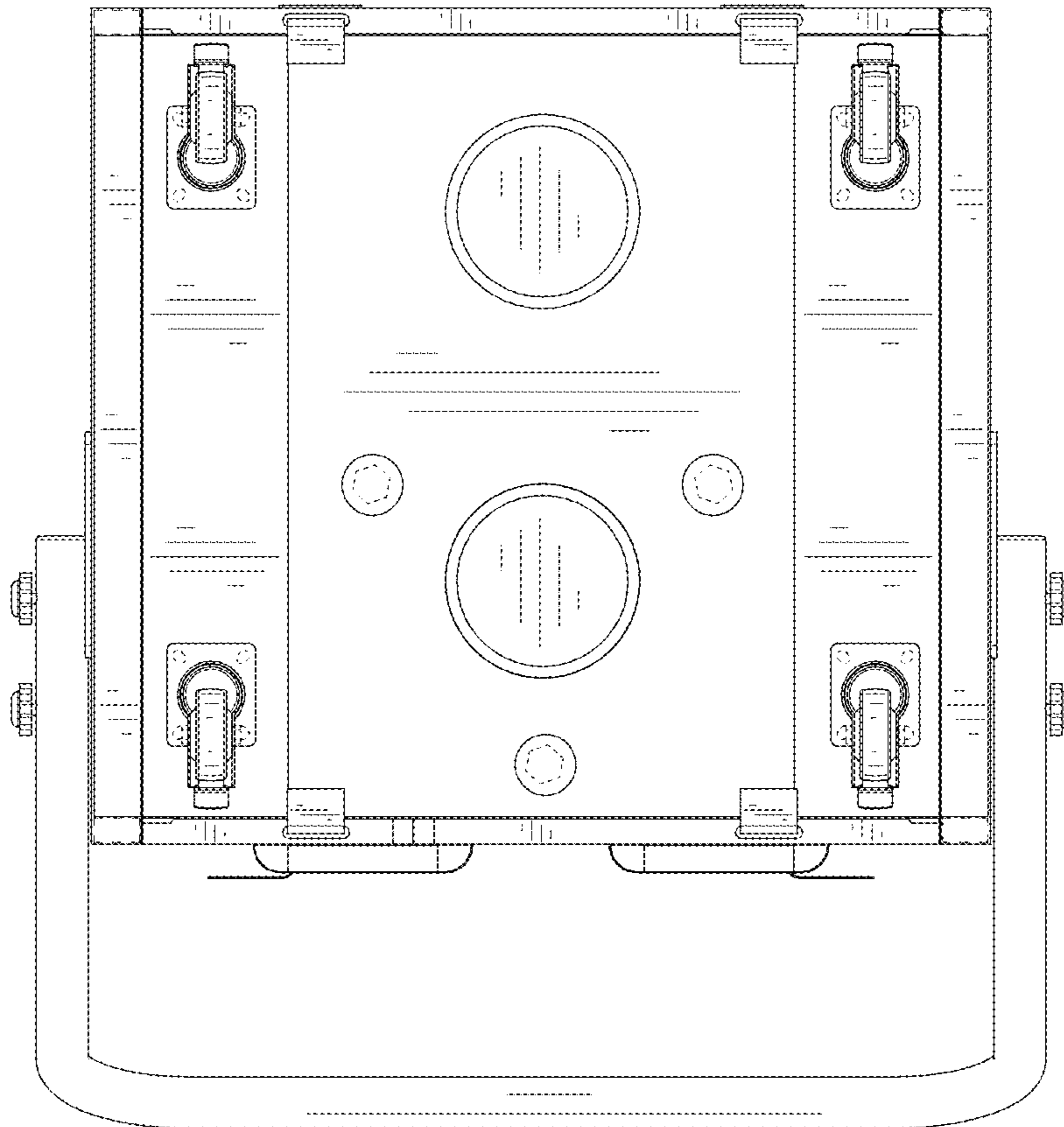


FIG. 8

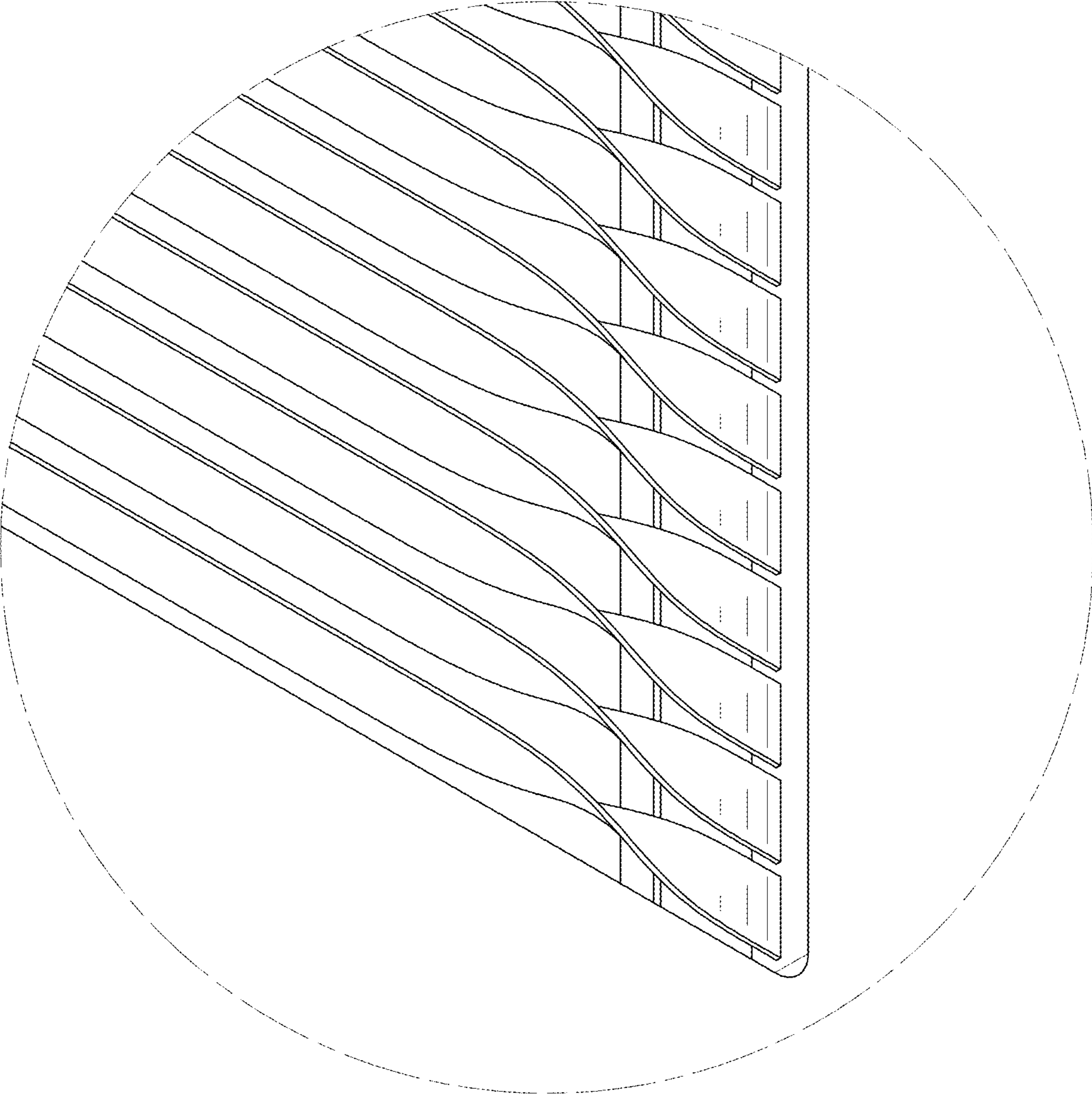


FIG. 9

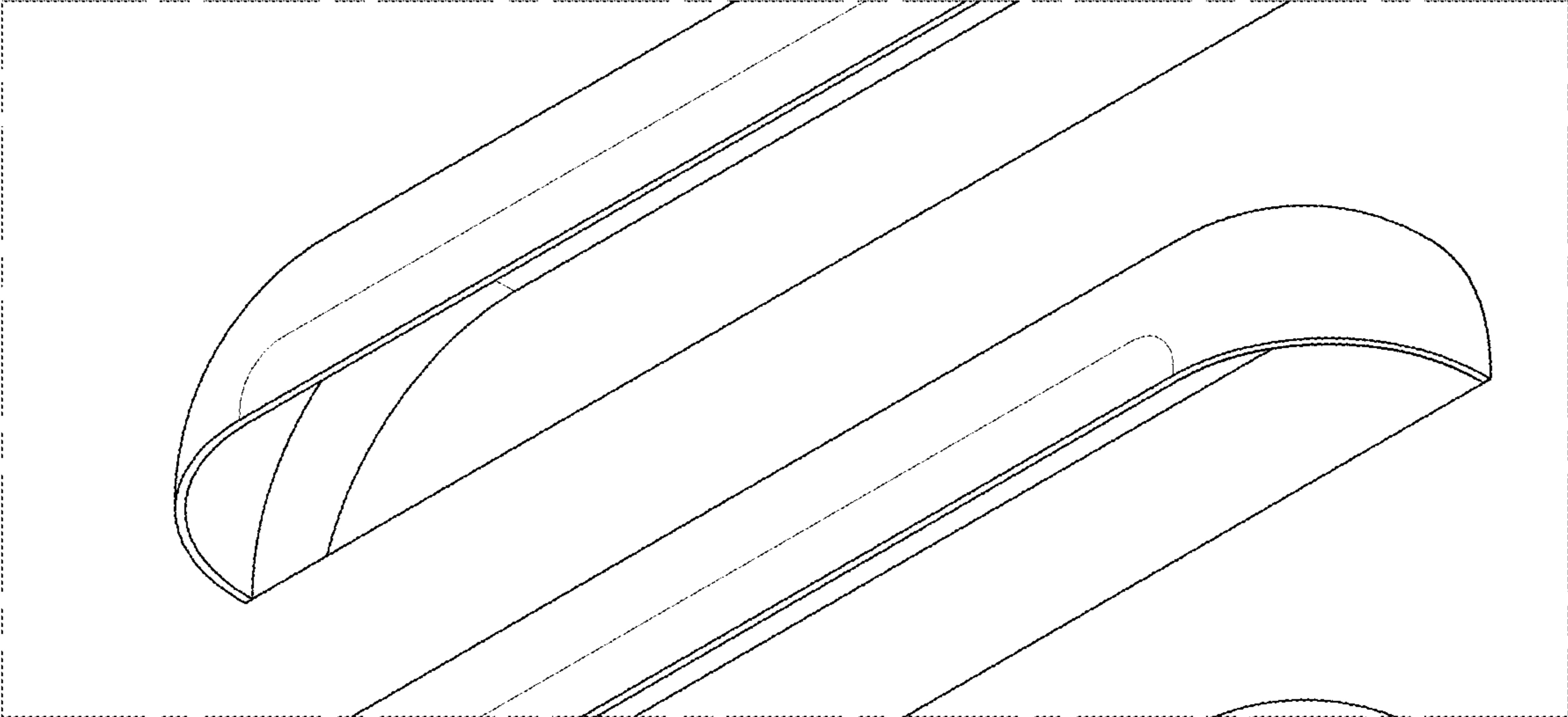


FIG. 10

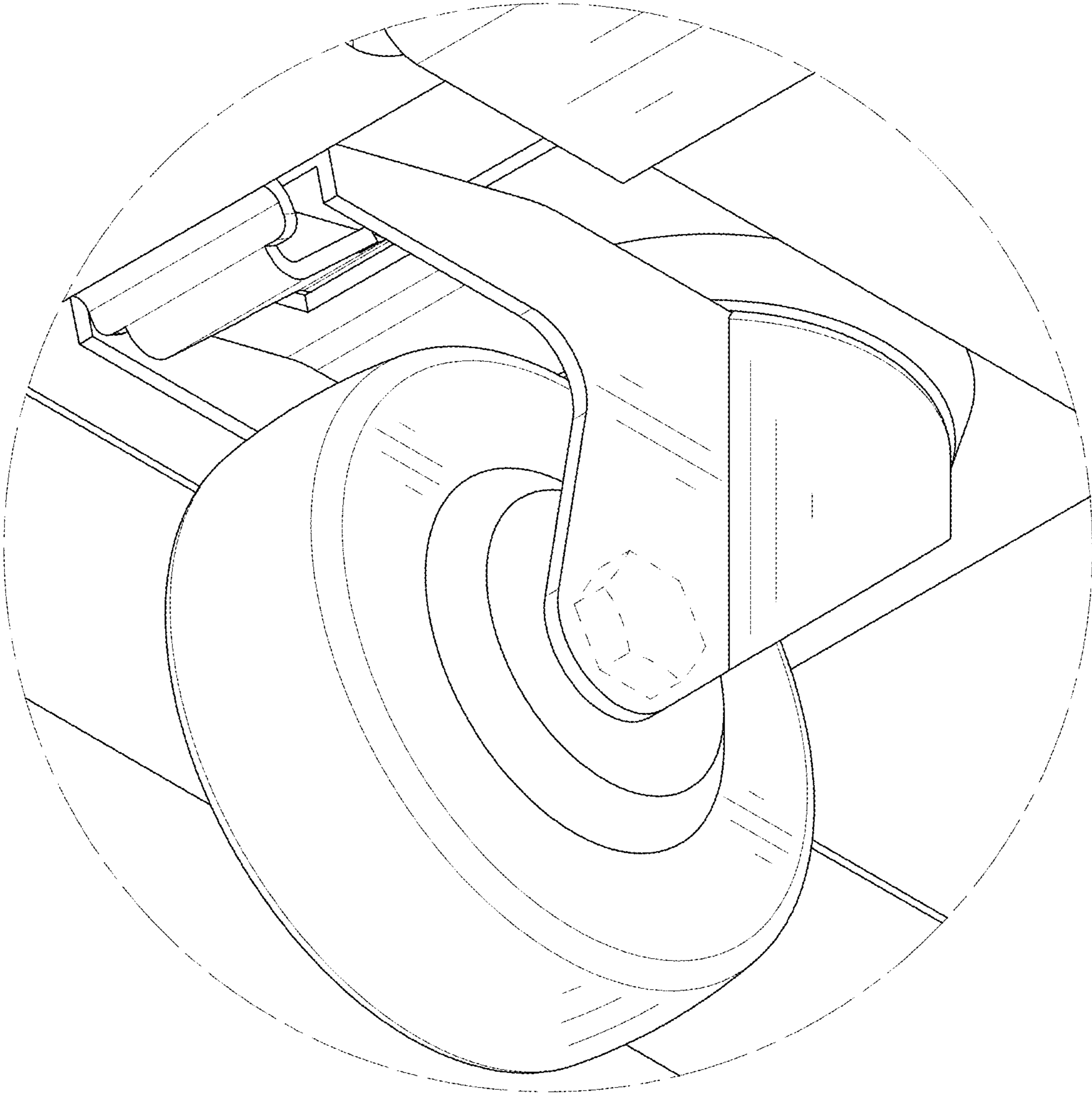


FIG. 11