



US00D984619S

(12) **United States Design Patent**  
**Zhang**

(10) **Patent No.:** **US D984,619 S**

(45) **Date of Patent:** **\*\* Apr. 25, 2023**

(54) **DEHUMIDIFIER**

(71) Applicant: **Jiahao Zhang**, Puning (CN)

(72) Inventor: **Jiahao Zhang**, Puning (CN)

(\*\*) Term: **15 Years**

(21) Appl. No.: **29/853,705**

(22) Filed: **Sep. 19, 2022**

(51) **LOC (14) Cl.** ..... **23-04**

(52) **U.S. Cl.**  
USPC ..... **D23/359**

(58) **Field of Classification Search**  
USPC ..... D23/355–366, 352, 369, 332, 333, 335,  
D23/336, 342, 351; 422/120, 122;  
55/356, 473, 504; 96/97  
CPC .. A61L 9/16; A61L 9/22; B01D 47/00; B01D  
47/027; B01D 2221/02; B01D 2259/4508;  
B03C 3/155; B03C 3/368; F24F 3/16;  
F24F 13/20

See application file for complete search history.

(56) **References Cited**

**U.S. PATENT DOCUMENTS**

D508,735 S *	8/2005	Klein	.....	D23/359
D634,414 S *	3/2011	Wolfe	.....	D23/359
D641,844 S *	7/2011	Kim	.....	D23/333
D678,494 S *	3/2013	Wolfe	.....	D23/359
D690,888 S *	10/2013	Pearson	.....	D32/32
D732,327 S *	6/2015	Ciuksza, Jr.	.....	D7/300
9,205,374 B2 *	12/2015	Black	.....	B01D 53/265
D769,432 S *	10/2016	Dingle	.....	D23/359
D769,433 S *	10/2016	Dingle	.....	D23/359
D853,543 S *	7/2019	Giallombardo	.....	D23/359
D860,425 S *	9/2019	Lobdell	.....	D23/364
D918,367 S	5/2021	Li		
D935,006 S	11/2021	Huang		
D936,197 S	11/2021	Wang		
D953,503 S *	5/2022	Zheng	.....	D23/359
2018/0372347 A1 *	12/2018	Carlson	.....	F24F 13/30

**OTHER PUBLICATIONS**

Colzer—170 Pints Commercial Dehumidifier with Pump and Drain Hose | Colzer BJV7, Review date Nov. 8, 2022, site visited Nov. 17, 2022. [https://colzer.com/products/170-pints-commercial-dehumidifier-with-pump-and-drain-hose-colzer-bjv7?pr\\_prod\\_strat=collection\\_fallback&pr\\_rec\\_id=ba994fb17&pr\\_rec\\_pid=7387901067422&pr\\_ref\\_pid=7387897397406&pr\\_seq=uniform](https://colzer.com/products/170-pints-commercial-dehumidifier-with-pump-and-drain-hose-colzer-bjv7?pr_prod_strat=collection_fallback&pr_rec_id=ba994fb17&pr_rec_pid=7387901067422&pr_ref_pid=7387897397406&pr_seq=uniform) (Year: 2022).\*

\* cited by examiner

*Primary Examiner* — Amy C Wierenga

*Assistant Examiner* — Andrea M McKay

(74) *Attorney, Agent, or Firm* — Rumit Ranjit Kanakia

(57) **CLAIM**

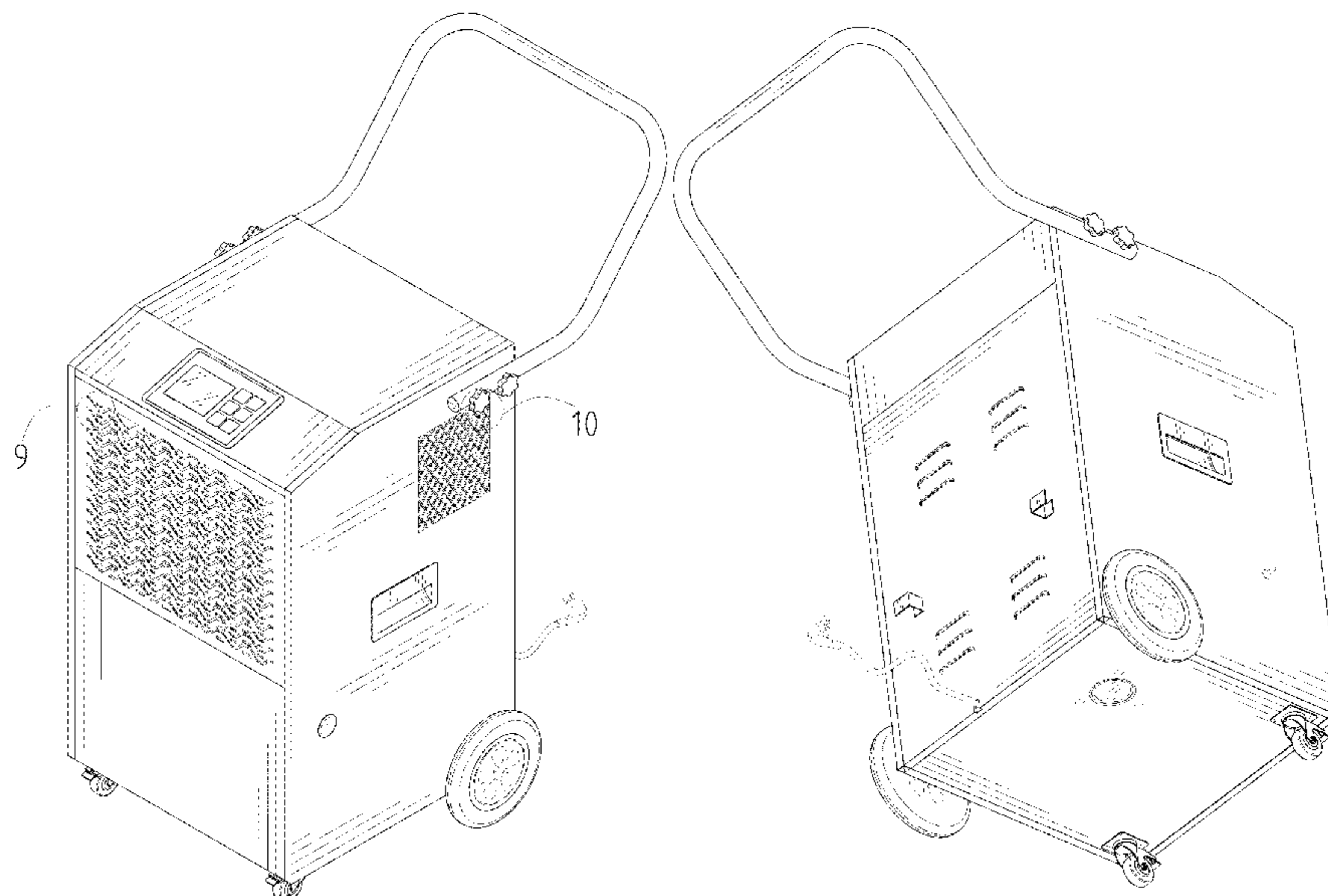
The ornamental design for a dehumidifier, as shown and described.

**DESCRIPTION**

FIG. 1 is a first perspective view of a dehumidifier showing my new design;  
FIG. 2 is a second perspective view thereof;  
FIG. 3 is a front view thereof,  
FIG. 4 is a back view thereof,  
FIG. 5 is a left side view thereof;  
FIG. 6 is a right side view thereof,  
FIG. 7 is a top view thereof,  
FIG. 8 is a bottom view thereof;  
FIG. 9 is an enlarged view of the selected portion 9 in FIG. 1; and,  
FIG. 10 is an enlarged view of the selected portion 10 in FIG. 1.

The broken lines shown in the drawings depict portions of the dehumidifier that form no part of the claimed design. The long dash-short dash broken lines shown in FIG. 1 and FIGS. 9-10 indicate cut off boundaries for enlarged detail portion views and form no part of the claim.

**1 Claim, 10 Drawing Sheets**



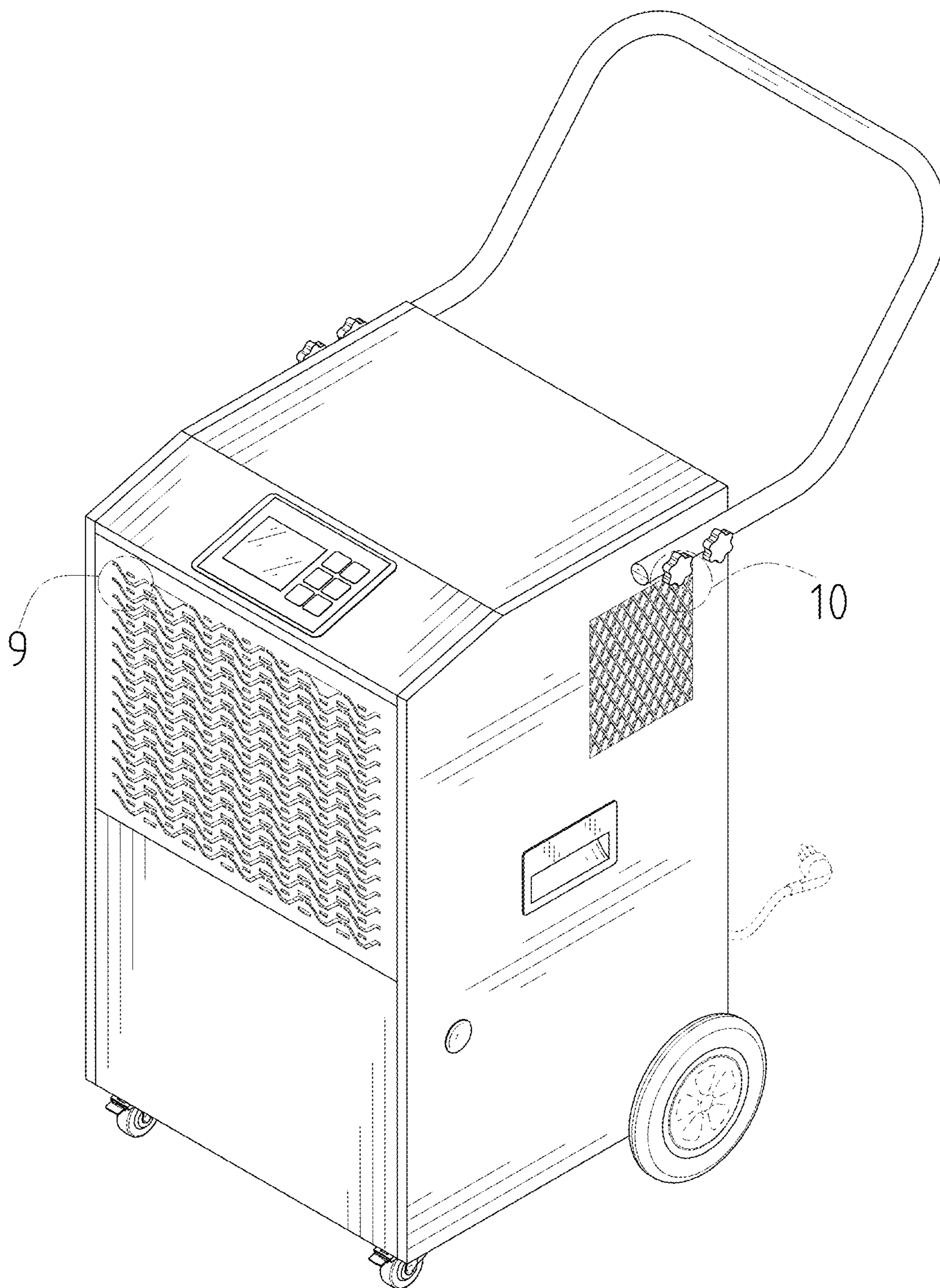


FIG. 1

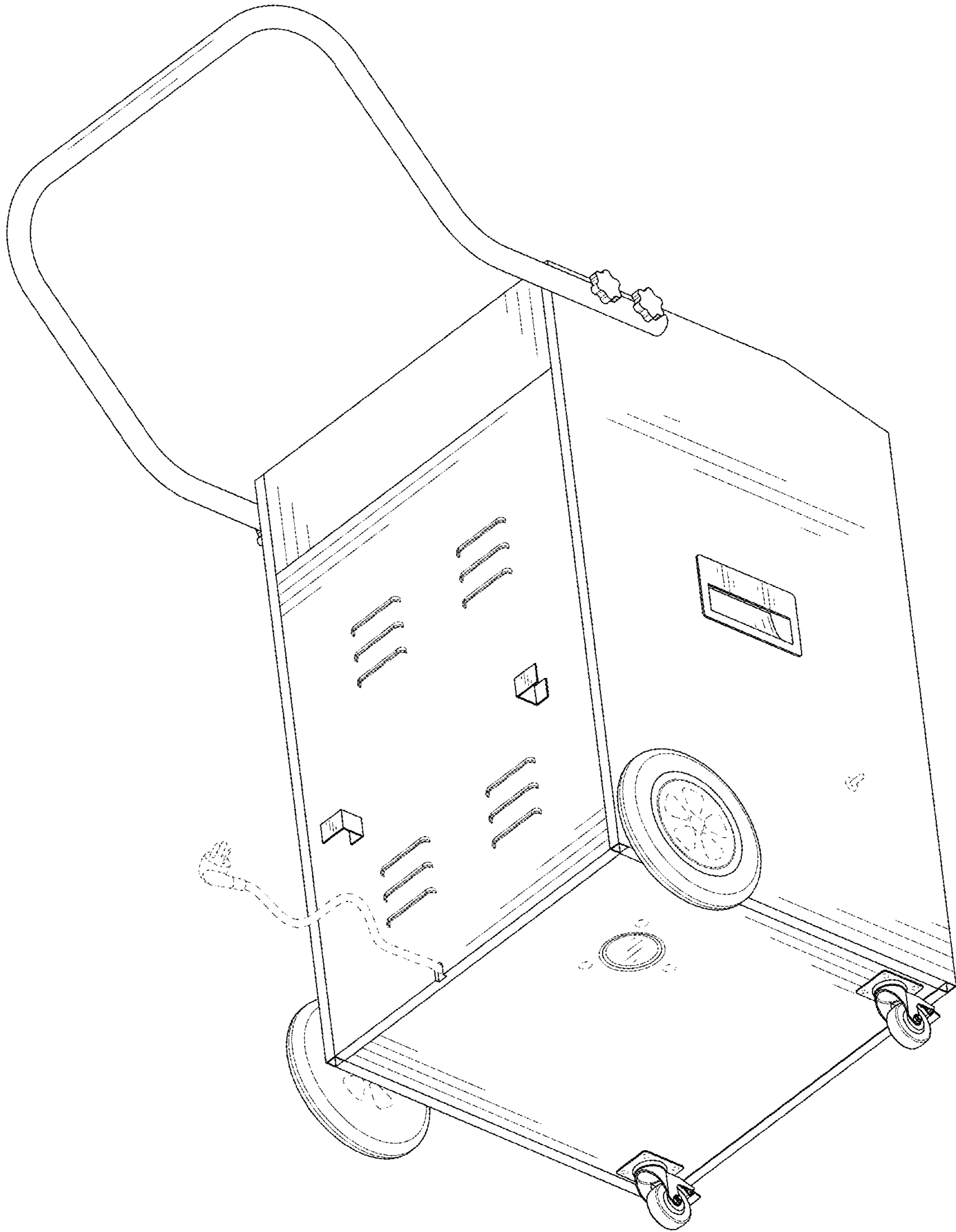


FIG. 2

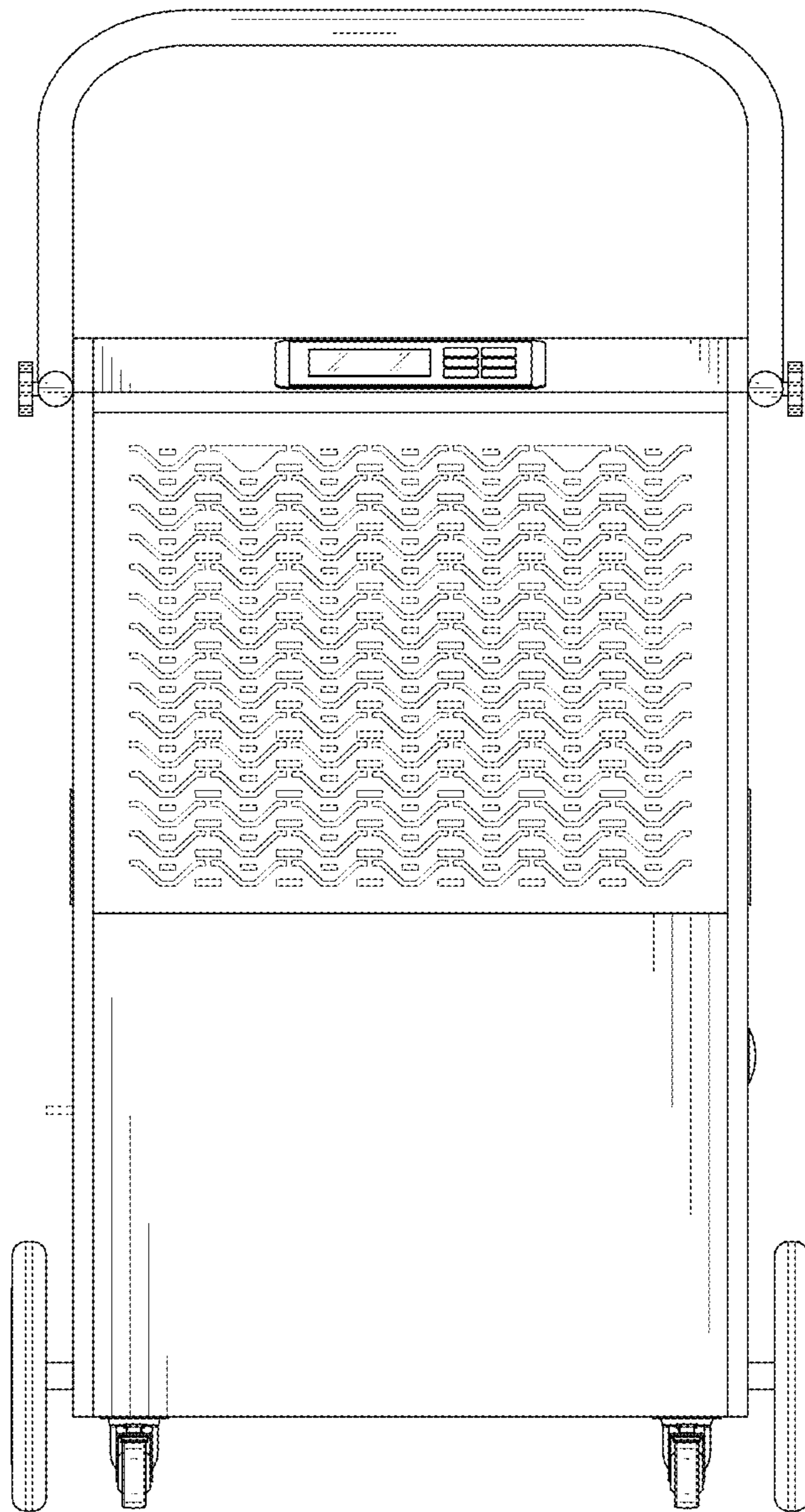


FIG. 3

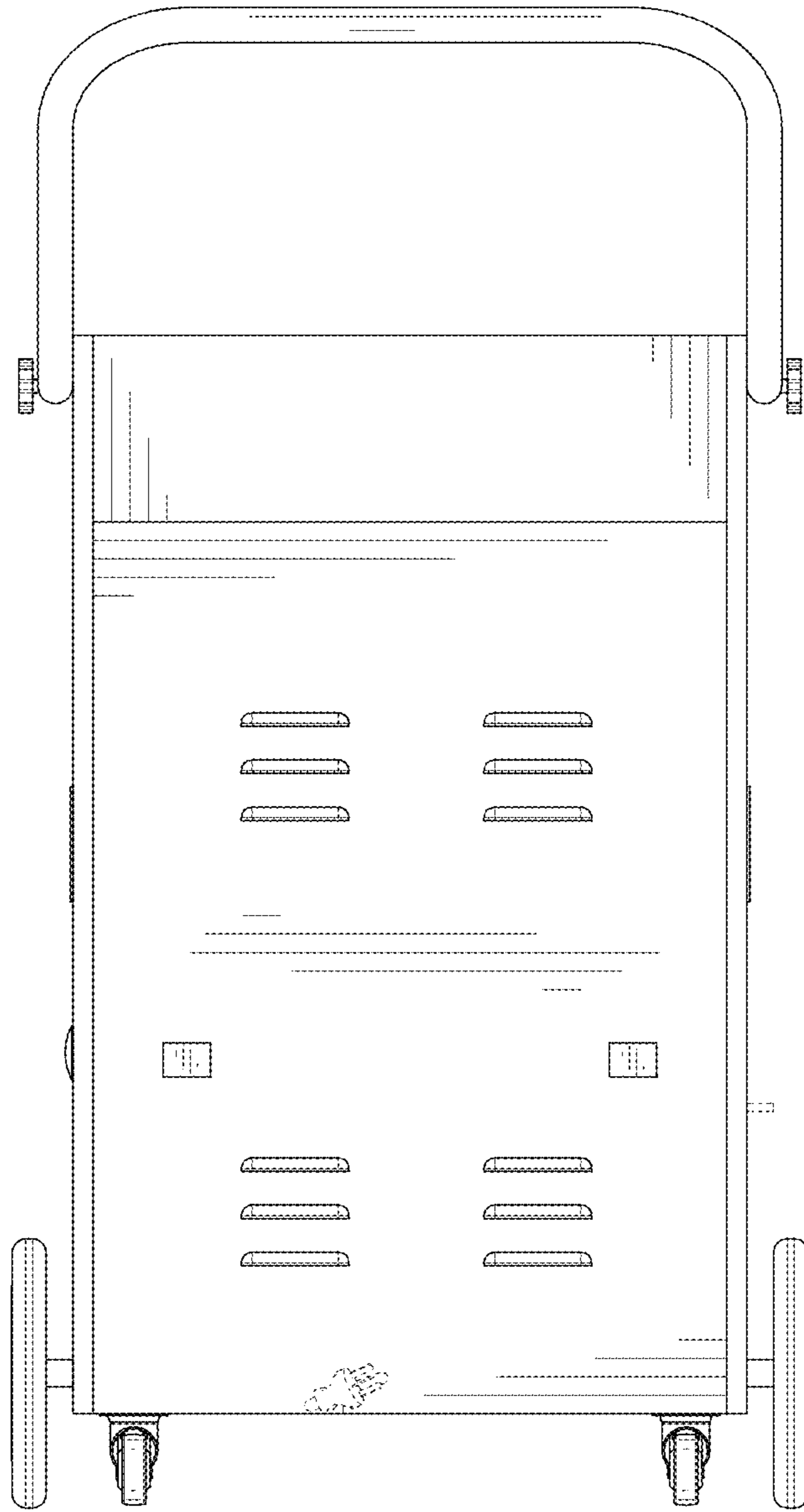


FIG. 4

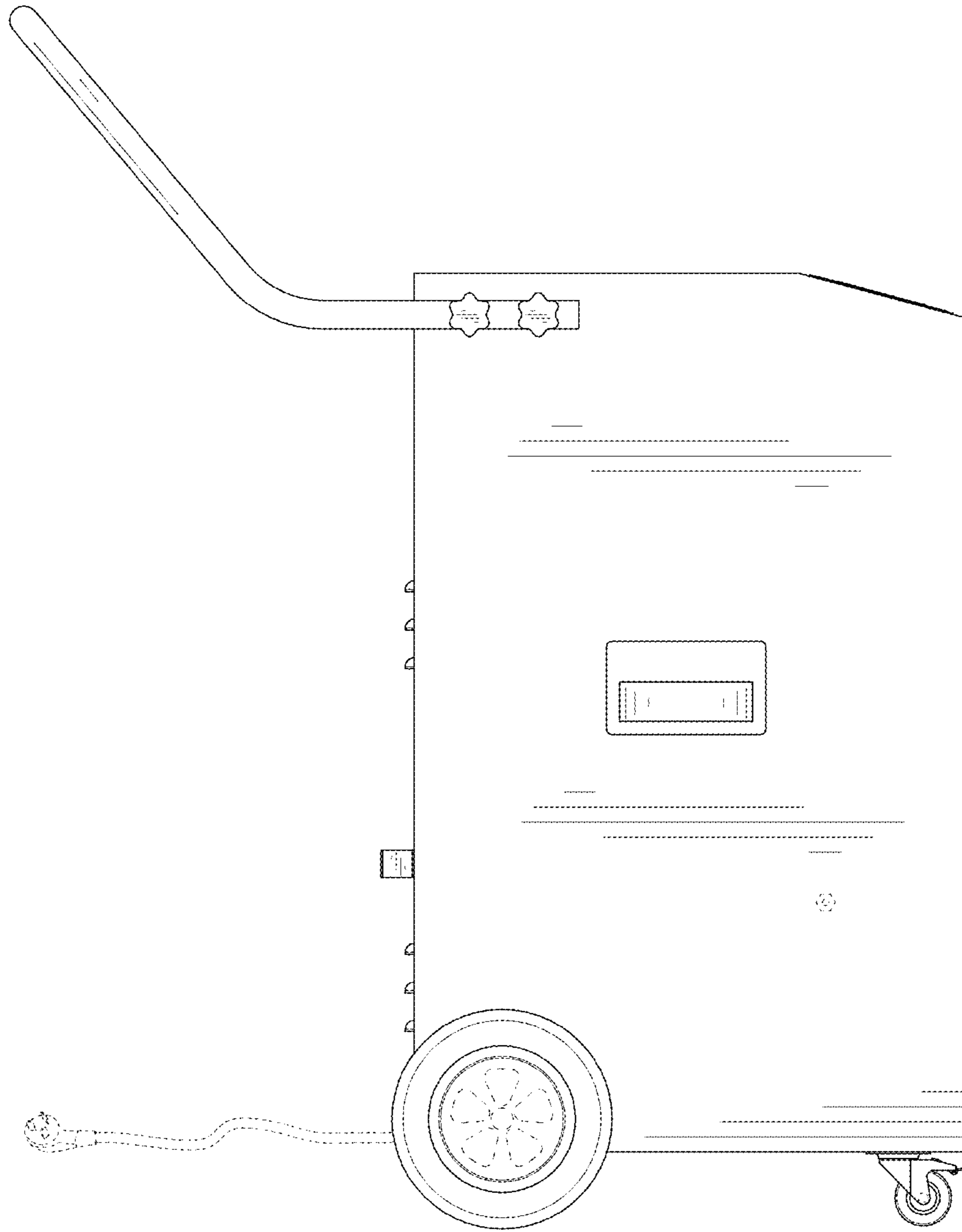


FIG. 5

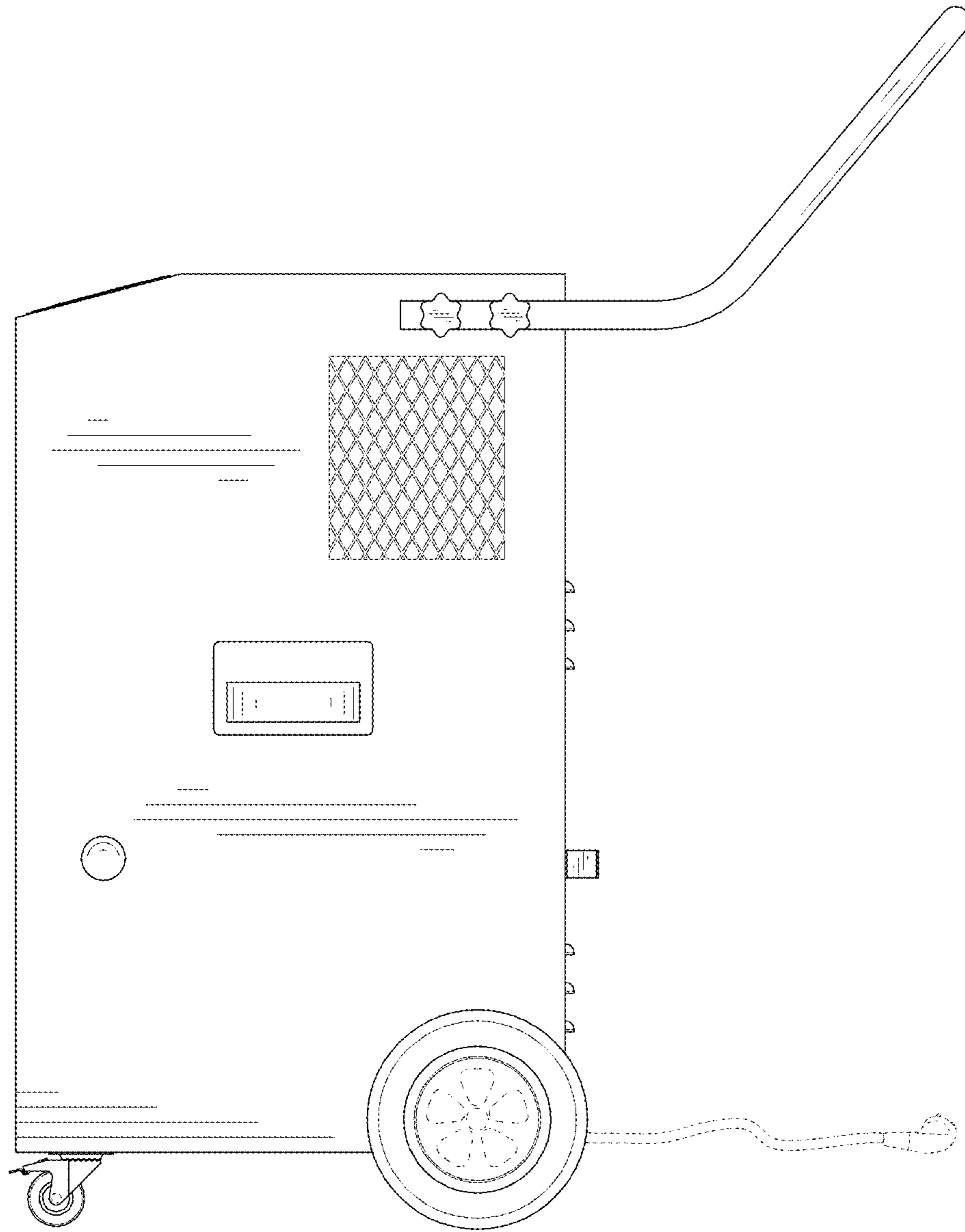


FIG. 6

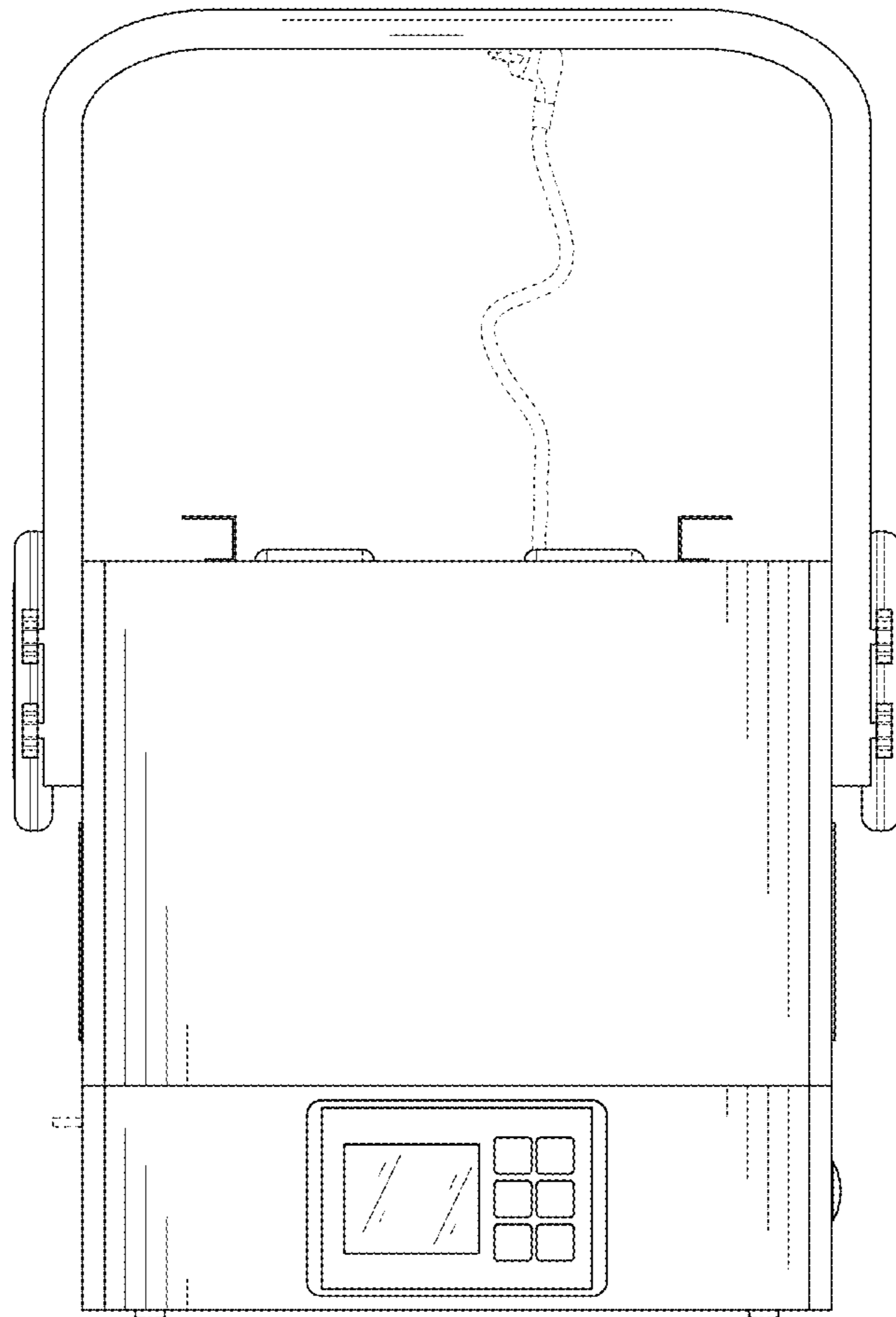


FIG. 7



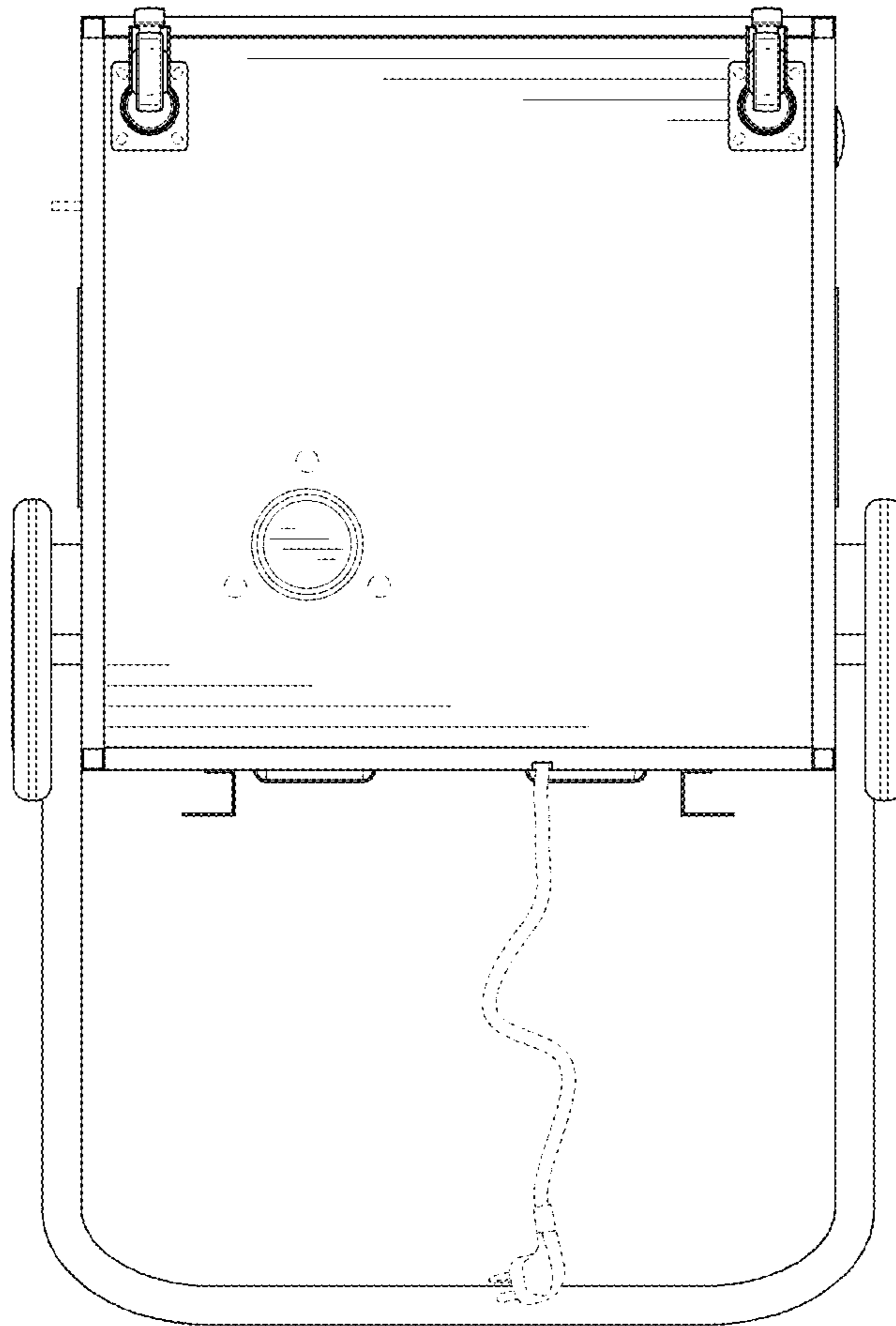


FIG. 8

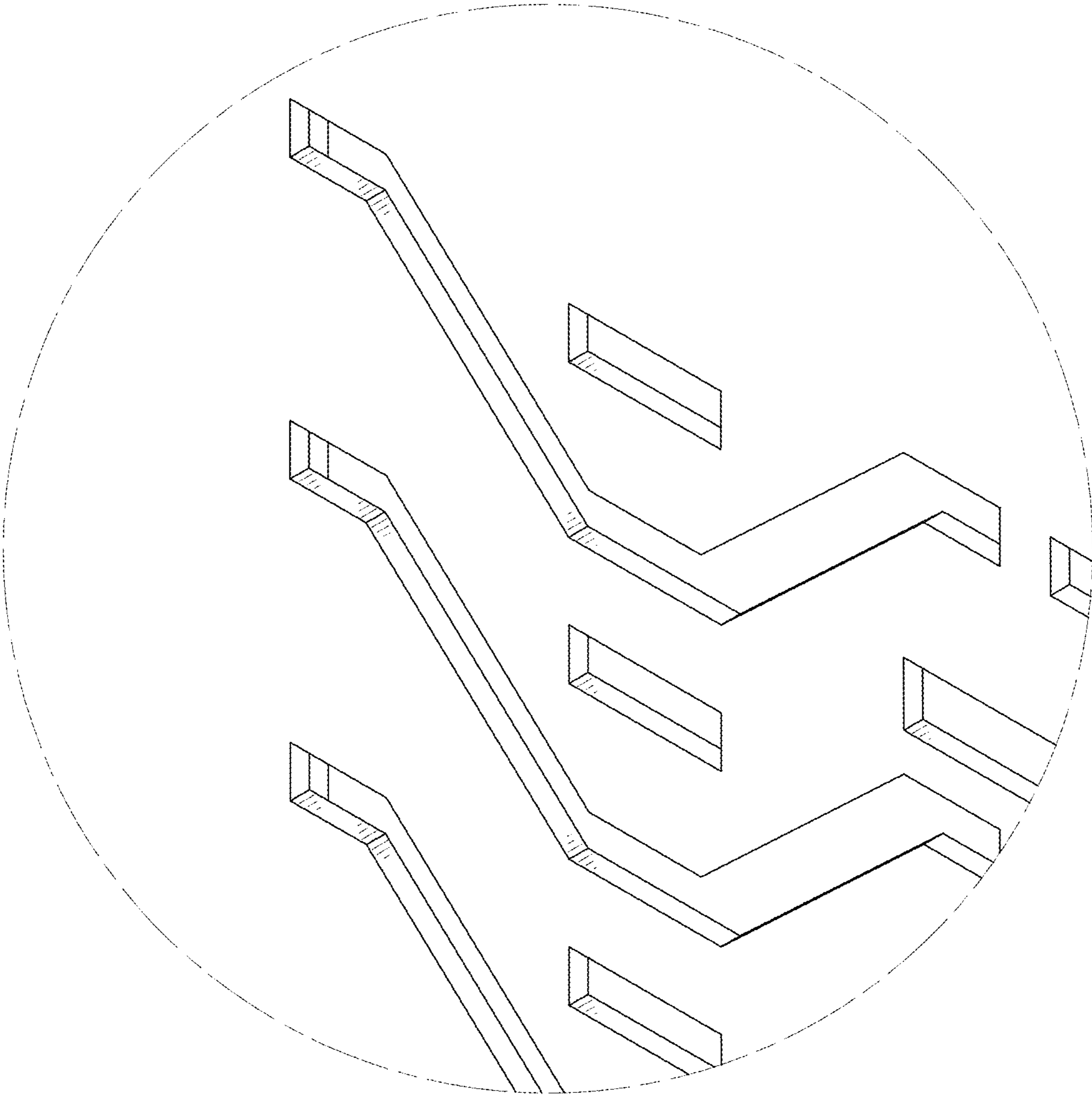


FIG. 9

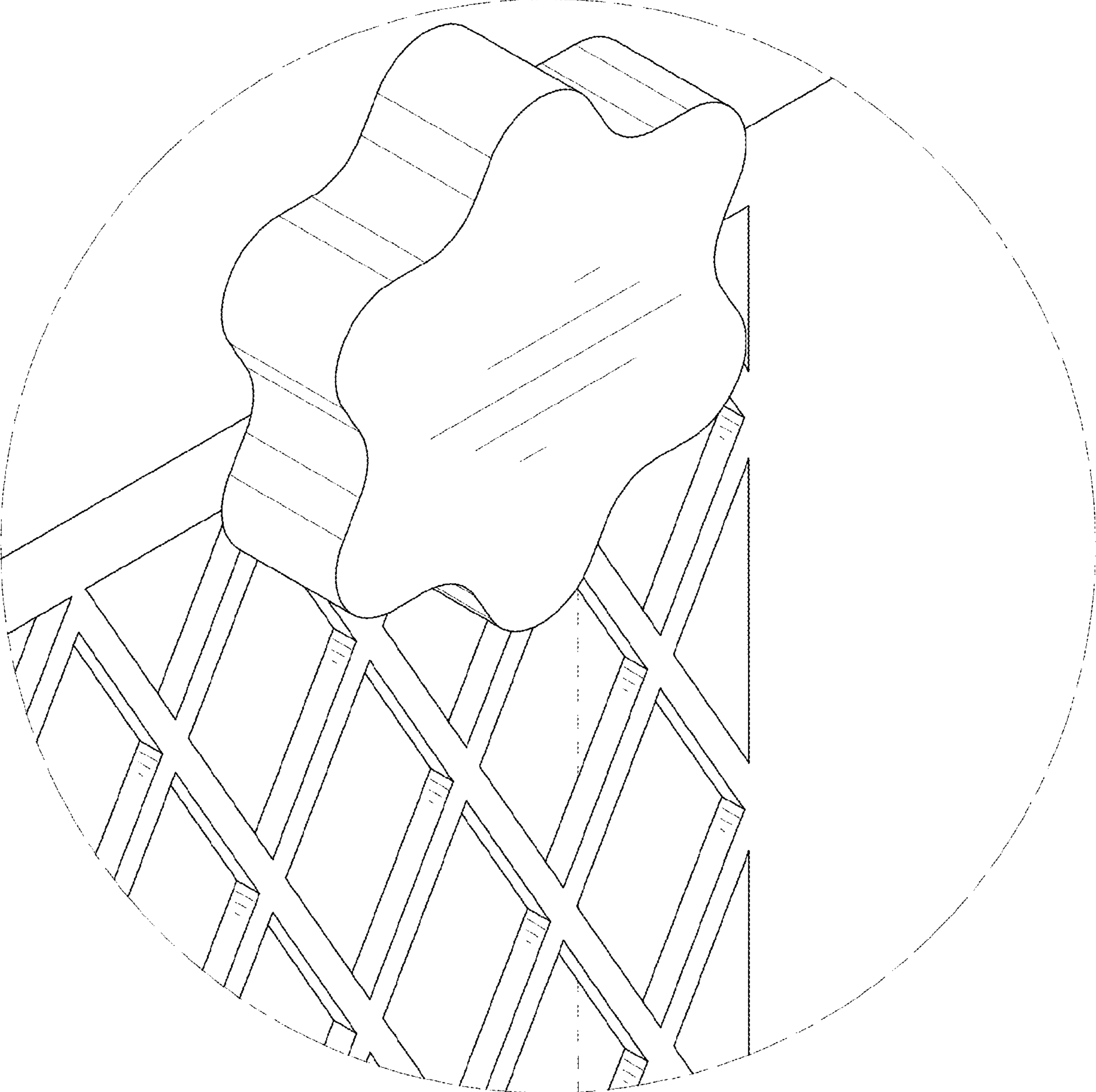


FIG. 10