



US00D984616S

(12) **United States Design Patent**
Hamilton et al.

(10) **Patent No.:** **US D984,616 S**
(45) **Date of Patent:** **** Apr. 25, 2023**

(54) **HUMIDIFIER HEATERBASE**

(56) **References Cited**

- (71) Applicant: **Fisher & Paykel Healthcare Limited**,
Auckland (NZ)
- (72) Inventors: **Mark Samuel Hamilton**, Auckland
(NZ); **Paul Fleming Buckley**, Auckland
(NZ); **Stephen David Evans**, Auckland
(NZ); **Bruce Gordon Holyoake**,
Auckland (NZ); **Jason Allan Klenner**,
Auckland (NZ)
- (73) Assignee: **Fisher & Paykel Healthcare Limited**,
Auckland (NZ)
- (**) Term: **15 Years**
- (21) Appl. No.: **29/788,585**
- (22) Filed: **Jun. 29, 2021**

U.S. PATENT DOCUMENTS

D98,664 S	11/1935	Edelman	
D208,514 S	9/1967	Hartwell	
D242,565 S	11/1976	Green	
D337,817 S	7/1993	Brock	
D421,648 S	3/2000	Jane et al.	
D425,976 S	5/2000	Stützer et al.	
D430,656 S	9/2000	Farrage et al.	
D496,407 S	9/2004	Gadda et al.	
D542,900 S	5/2007	Snow et al.	
D559,371 S	1/2008	Snow et al.	
D559,917 S	1/2008	Cole	
D580,539 S	11/2008	Rittri et al.	
D587,319 S	2/2009	Lesley et al.	
D596,678 S	7/2009	Myers	
D604,368 S	11/2009	Lesley et al.	
D604,774 S	* 11/2009	De Viveiros Ortiz D21/325
D613,802 S	* 4/2010	Meyers D21/370

(Continued)

Primary Examiner — Nathan M Johnston

(74) *Attorney, Agent, or Firm* — Knobbe Martens Olson
& Bear, LLP

Related U.S. Application Data

- (62) Division of application No. 29/733,398, filed on May 1, 2020, now Pat. No. Des. 926,958, which is a division of application No. 29/584,852, filed on Nov. 17, 2016, now Pat. No. Des. 886,267, which is a division of application No. 29/521,116, filed on Mar. 19, 2015, now Pat. No. Des. 772,388.
- (51) **LOC (14) Cl.** **23-04**
- (52) **U.S. Cl.**
USPC **D23/356**
- (58) **Field of Classification Search**
USPC D23/355, 356, 359, 360, 364, 366, 368,
D23/386, 332; D15/79; 55/356, 473,
55/504; 422/120, 122; 96/97
CPC .. A61L 9/16; A61L 9/22; B01D 47/00; B01D
47/027; B01D 2221/02; B01D 2259/4508;
B03C 3/155; F24F 3/16; F24F 13/20;
F24F 13/28; F24F 2001/0096; F24F
3/1405; F24F 3/1603; F24F 13/222
See application file for complete search history.

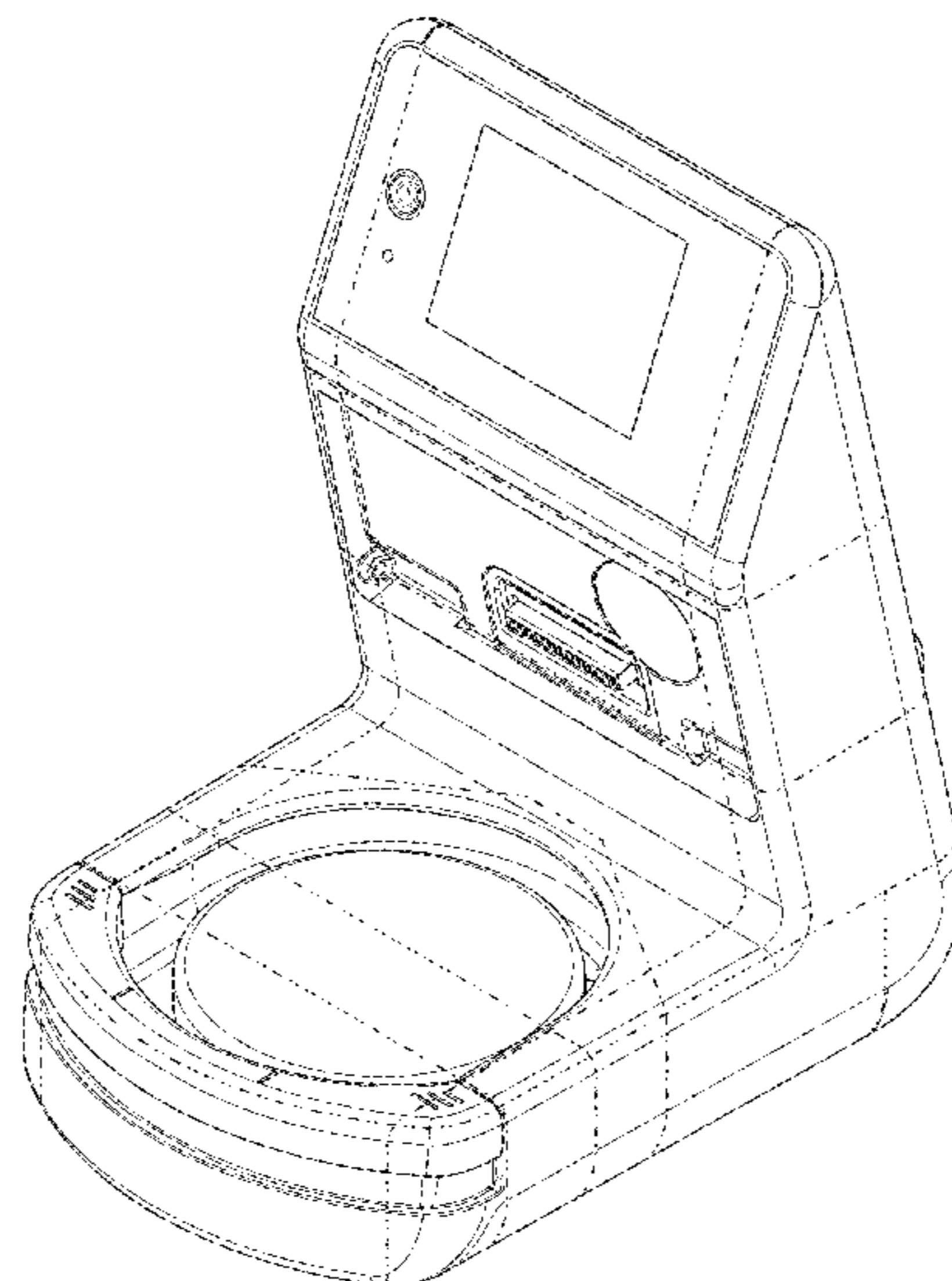
(57) **CLAIM**

The ornamental design for a humidifier heaterbase, as shown and described.

DESCRIPTION

FIG. 1 is a top, front and side perspective view of humidifier heaterbase embodying our new design.
 FIG. 2 is a front view thereof.
 FIG. 3 is a rear view thereof.
 FIG. 4 is a first side view thereof.
 FIG. 5 is a second side view thereof.
 FIG. 6 is a top view thereof; and,
 FIG. 7 is a bottom view thereof.
 Broken lines are used to illustrate features of the humidifier heaterbase which form no part of the claimed design. The dot dot dash lines represent boundary lines which form no part of the claimed design.

1 Claim, 7 Drawing Sheets



(56)

References Cited

U.S. PATENT DOCUMENTS

D637,238	S	5/2011	O'Keen et al.	
8,167,715	B2	5/2012	Lesley et al.	
D684,637	S	6/2013	Shelley	
D685,435	S	7/2013	Hohman	
D693,884	S	11/2013	Galdini Ferrazoli	
D705,872	S	5/2014	Ortiz	
D772,388	S	11/2016	Hamilton et al.	
D812,145	S *	3/2018	Huang	D21/369
D818,048	S	5/2018	Calhoun	
D822,117	S	7/2018	Costa	
D822,766	S	7/2018	Costa	
D834,652	S *	11/2018	Lee	D21/369
D839,357	S	1/2019	Steelman et al.	
D842,929	S	3/2019	Hung et al.	
10,245,407	B2	4/2019	Osborne et al.	
D847,905	S	5/2019	Lewis	
D852,890	S	7/2019	Ross	
D854,620	S	7/2019	Yeh	
D865,873	S	11/2019	Lewis	
D880,599	S *	4/2020	Navid	D21/325
D886,267	S	6/2020	Hamilton et al.	
D888,836	S *	6/2020	Lee	D21/369
D890,849	S *	7/2020	Johnson	D21/369
D893,628	S *	8/2020	Thoeni	D21/300
D893,632	S *	8/2020	McGahn	D21/369
D895,018	S *	9/2020	Gutbrod	D21/369
D922,555	S *	6/2021	Evans	D23/358
D926,958	S	8/2021	Hamilton et al.	
2012/0146251	A1	6/2012	Heine et al.	
2014/0238394	A1	8/2014	Buechi	
2015/0027204	A1	1/2015	Stoks et al.	
2015/0096560	A1	4/2015	Klenner et al.	

* cited by examiner

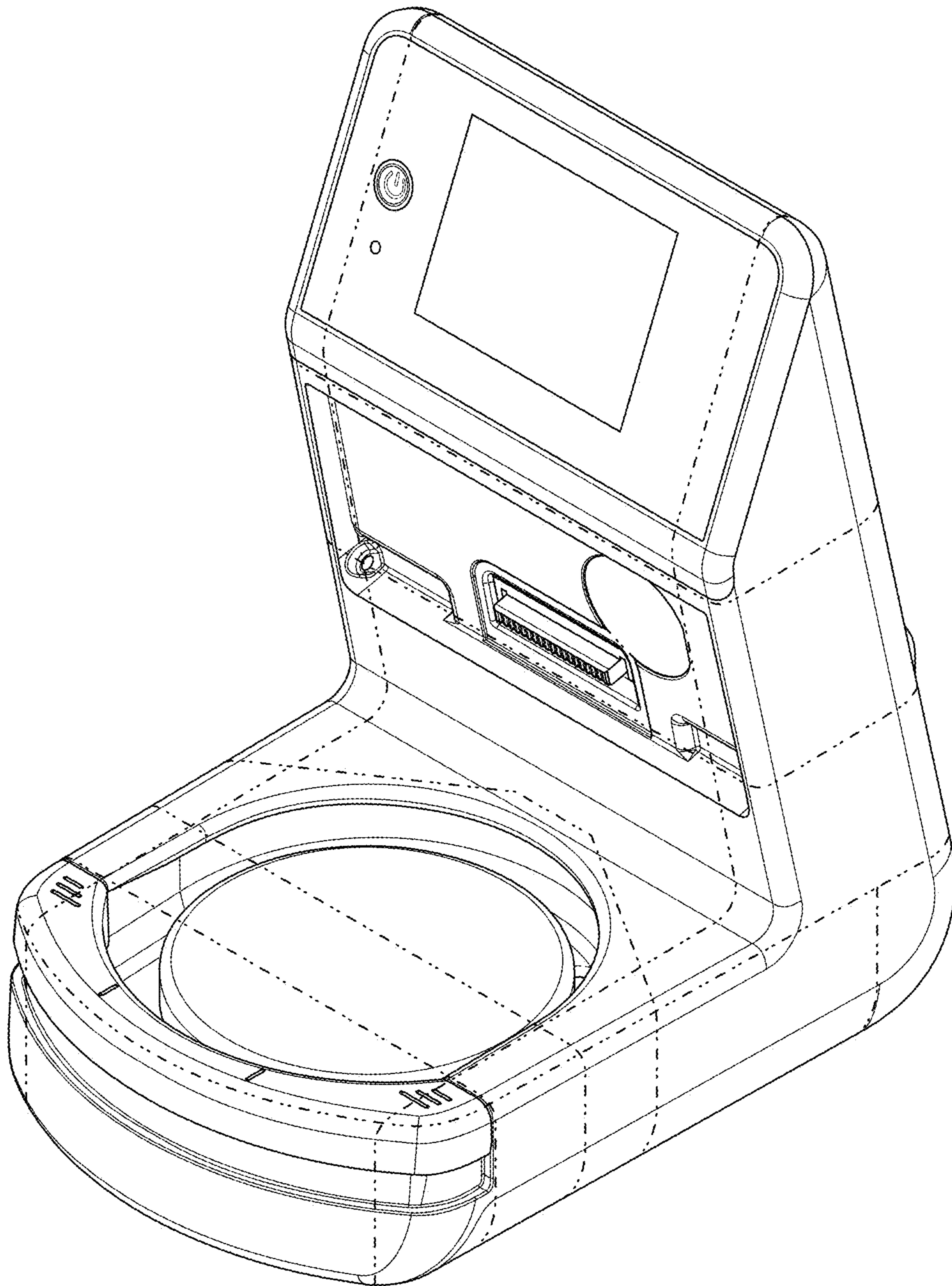


FIG. 1

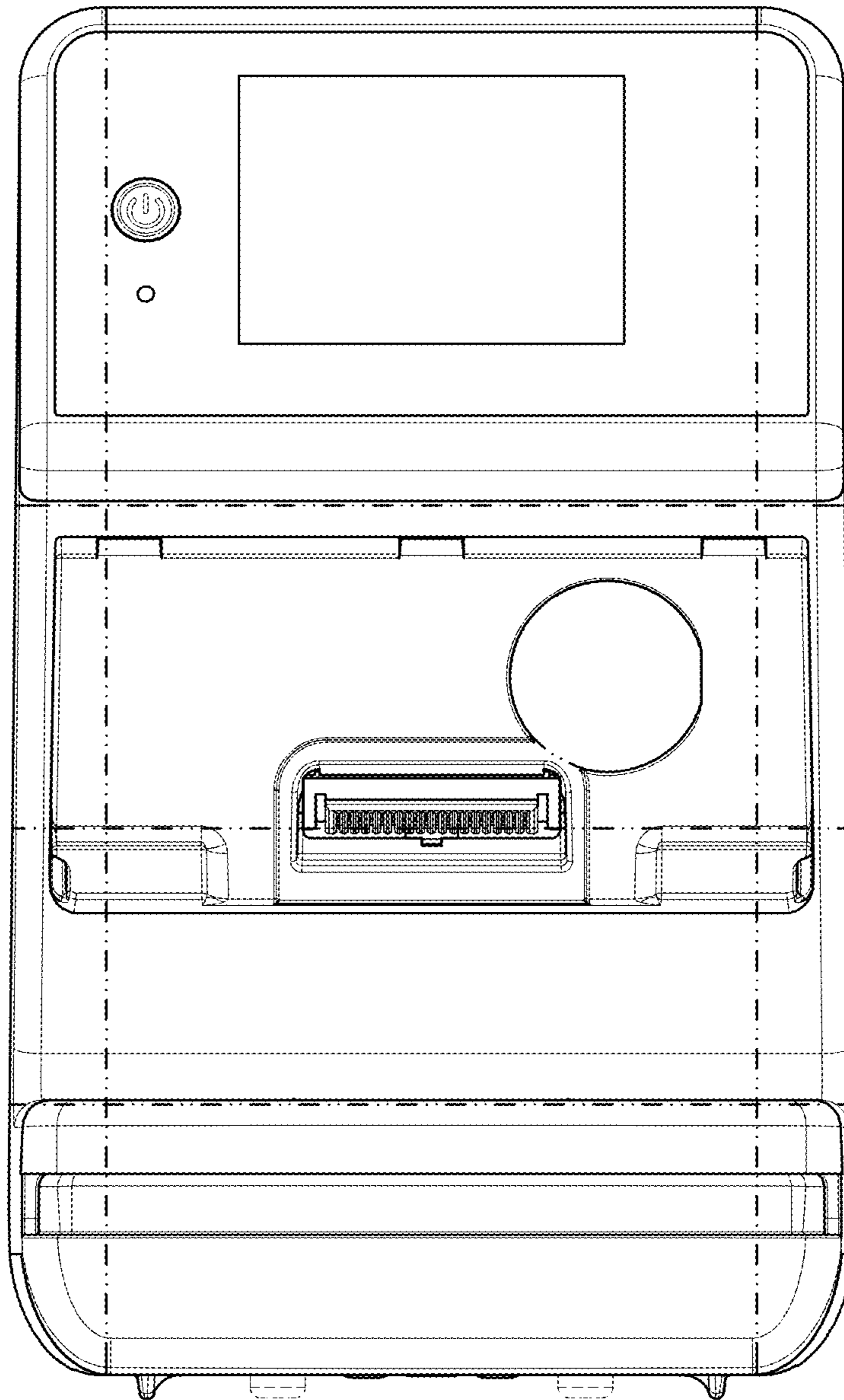


FIG. 2

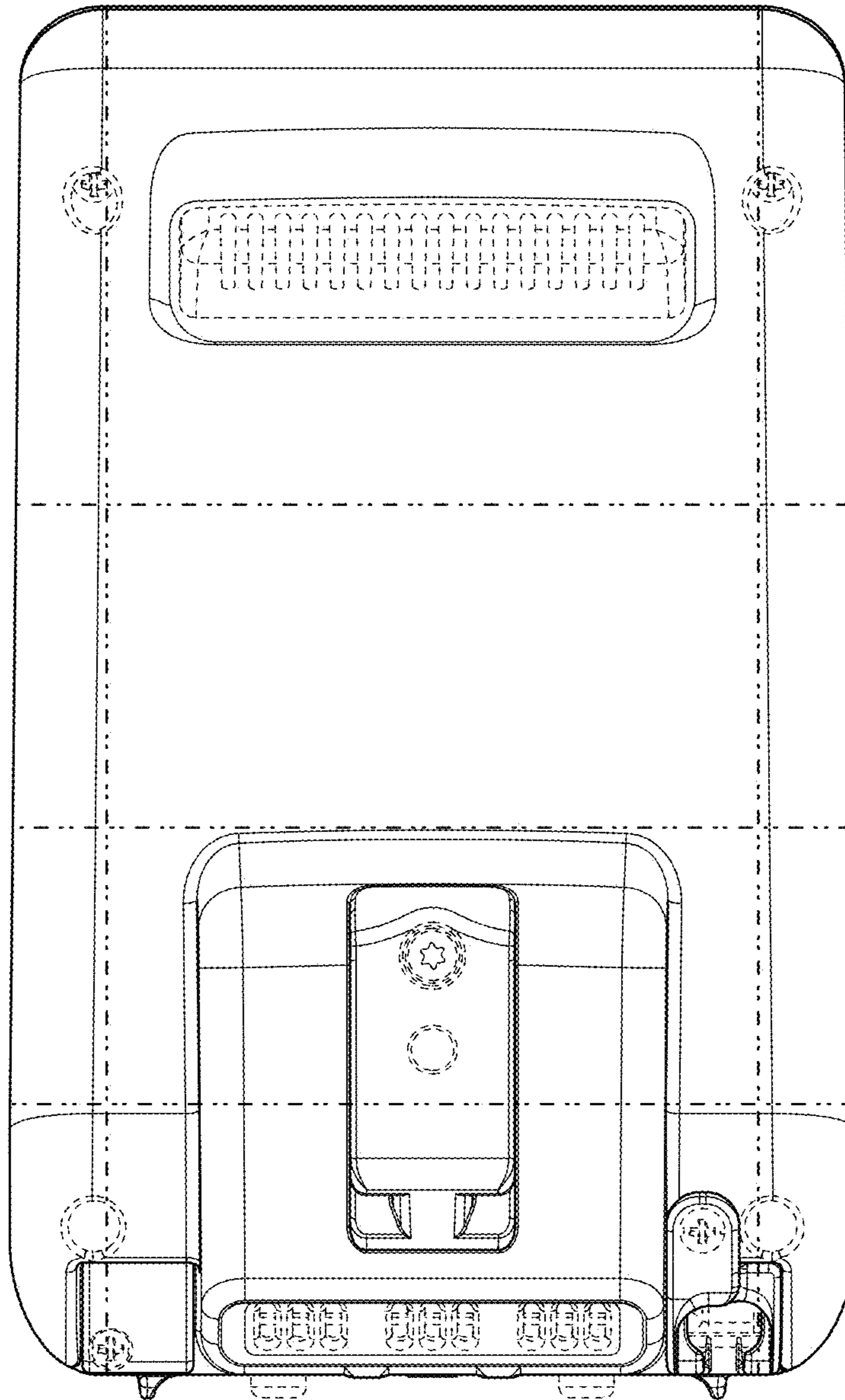


FIG. 3

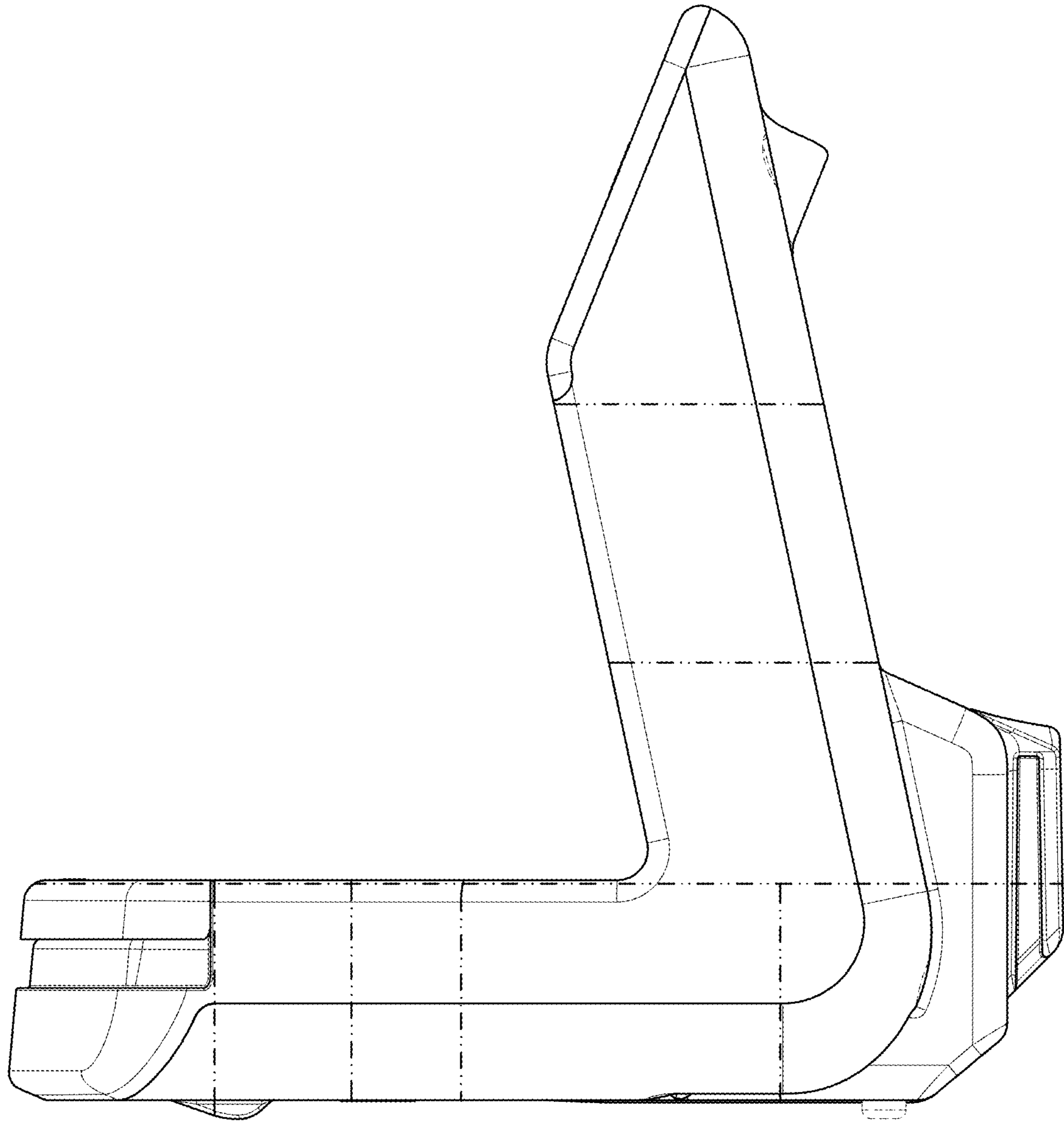


FIG. 4

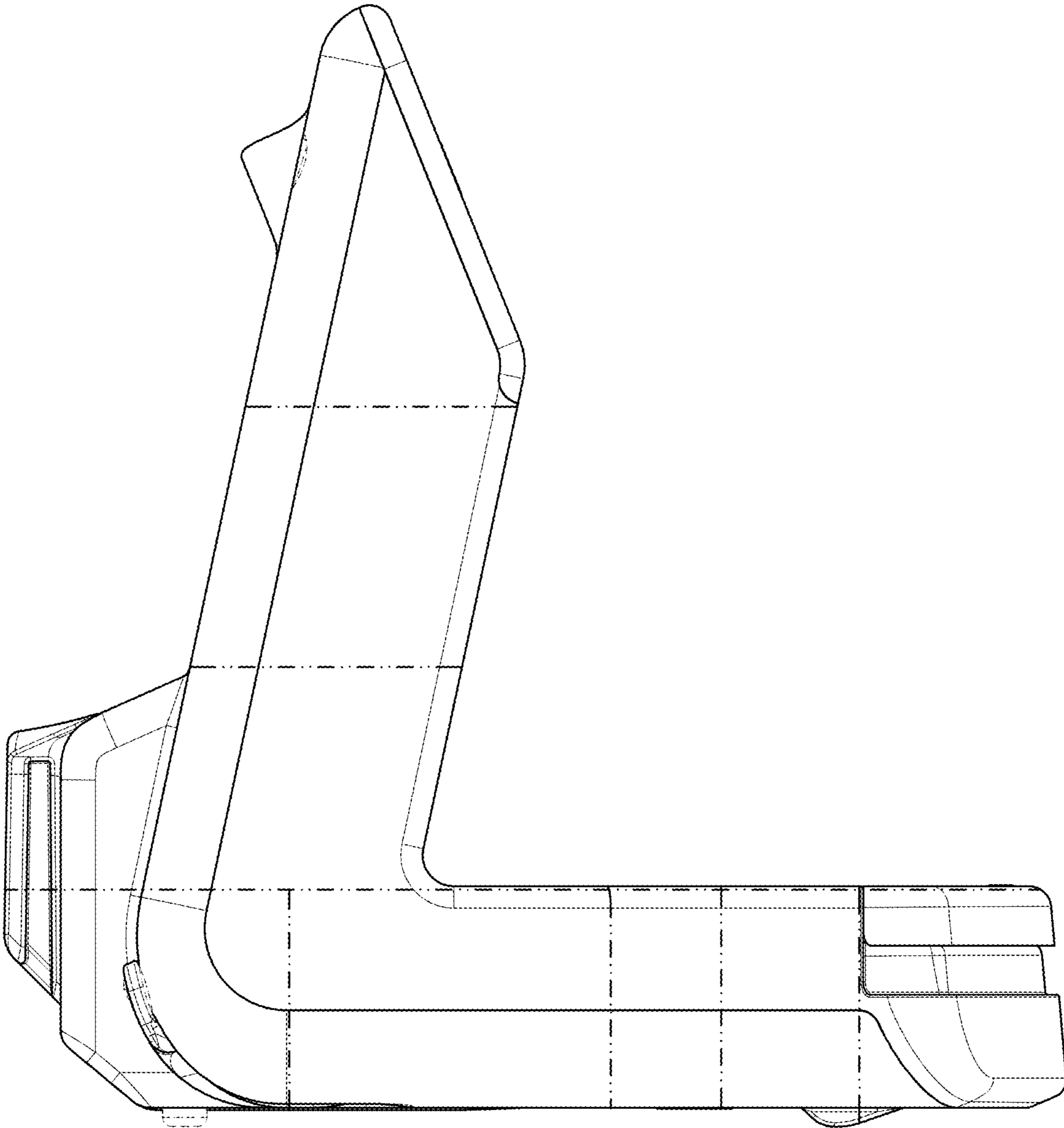


FIG. 5

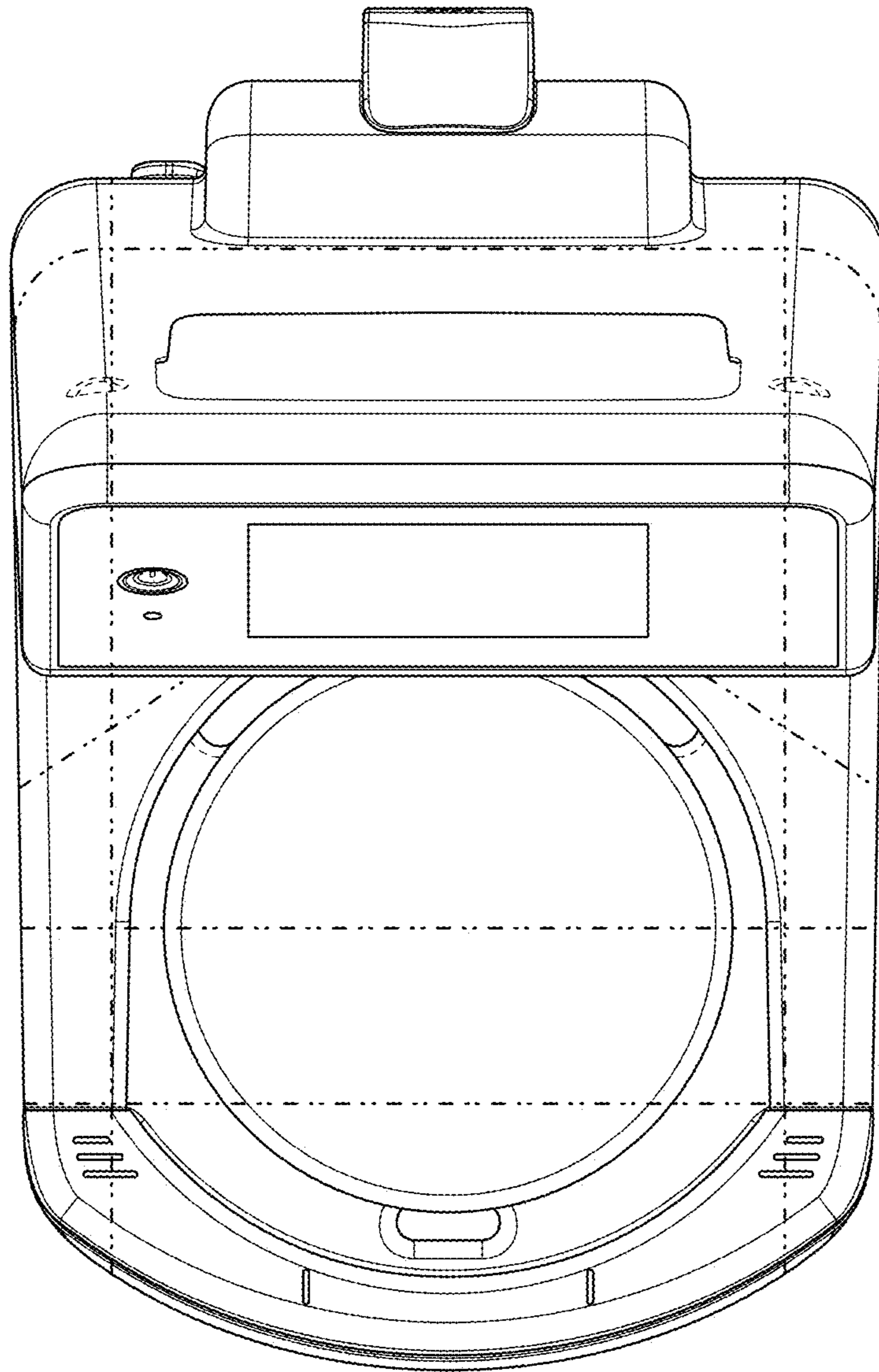


FIG. 6

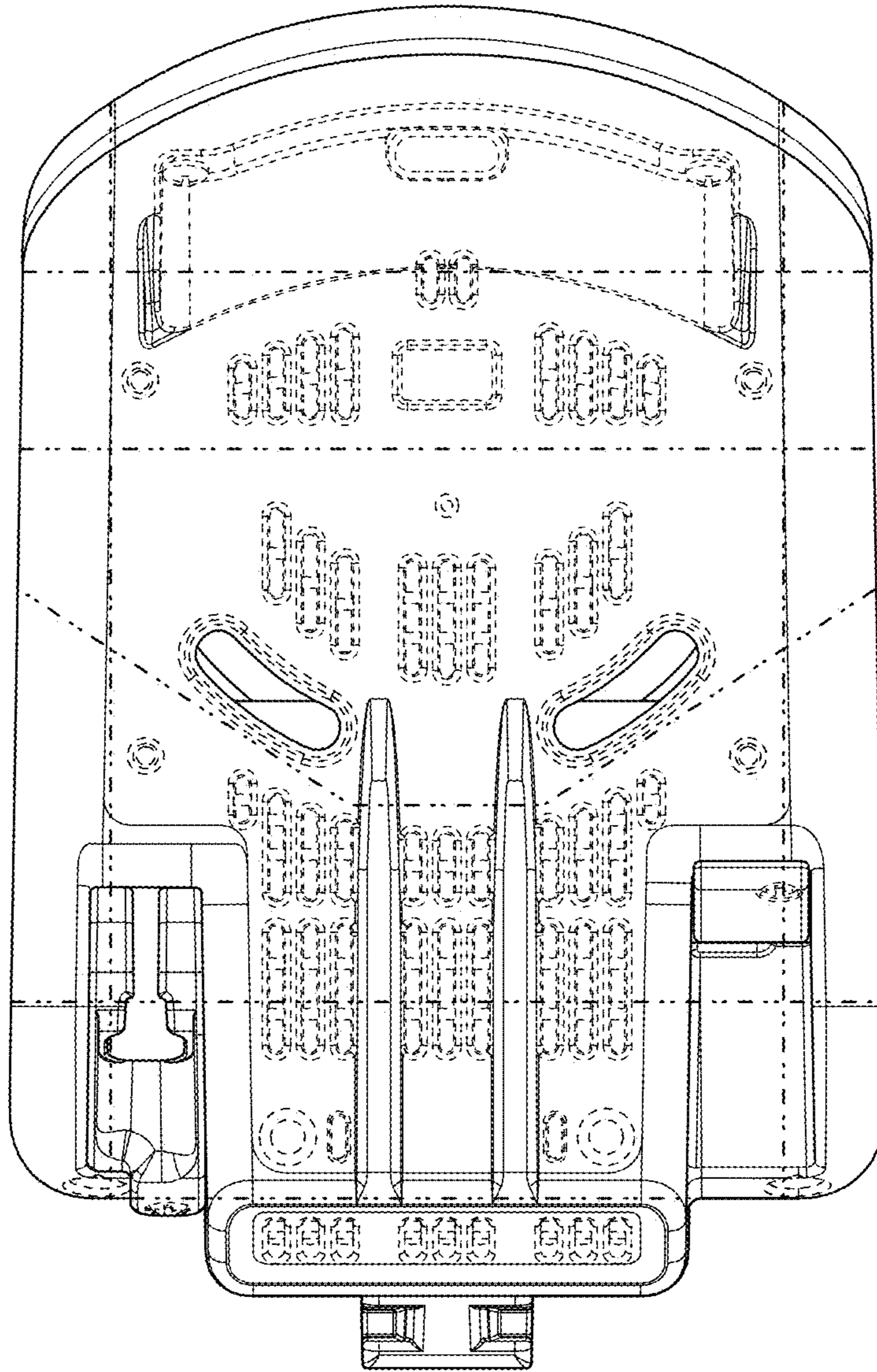


FIG. 7