



US00D984607S

(12) **United States Design Patent**
Chen

(10) **Patent No.:** **US D984,607 S**

(45) **Date of Patent:** **** Apr. 25, 2023**

(54) **BIDET**

(71) Applicant: **Xiamen Hengyi Technology Co., Ltd.**,
Fujian (CN)

(72) Inventor: **Xiuping Chen**, Hebei (CN)

(**) Term: **15 Years**

(21) Appl. No.: **29/838,296**

(22) Filed: **May 11, 2022**

(51) **LOC (14) Cl.** **23-02**

(52) **U.S. Cl.**
USPC **D23/309**

(58) **Field of Classification Search**
USPC D23/31–312
See application file for complete search history.

(56) **References Cited**

U.S. PATENT DOCUMENTS

D889,615 S	*	7/2020	Jiang	D23/309
D917,030 S		4/2021	Yan		
D937,395 S	*	11/2021	Yan	D23/309
D955,536 S	*	6/2022	Cheng	D23/311

OTHER PUBLICATIONS

Ciays Bidet Attachment For Toilet Ultra-Slim Bidet Sprayer Non-Electric Dual: https://www.bonanza.com/listings/Ciays-Bidet-Attachment-For-Toilet-Ultra-Slim-Bidet-Sprayer-Non-Electric-Dual/1382656764?goog_pla=1 (Year: 2022).*

* cited by examiner

Primary Examiner — Robert A Delehanty

(74) *Attorney, Agent, or Firm* — Che-Yang Chen; Law Office of Michael Chen

(57) **CLAIM**

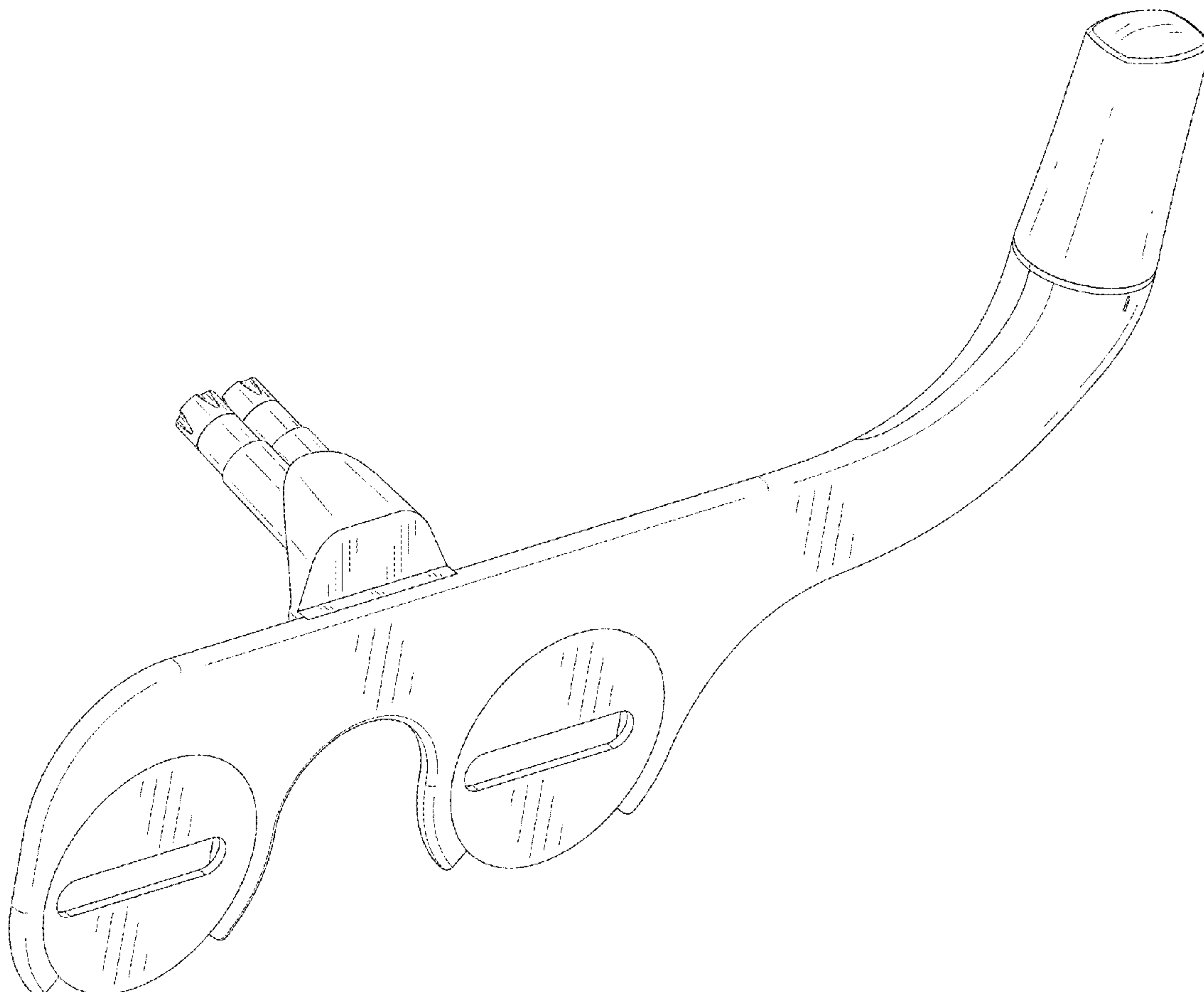
The ornamental design for a bidet, as shown and described.

DESCRIPTION

FIG. 1 is a perspective view of the bidet showing my new design;
FIG. 2 is a perspective view thereof from another angle;
FIG. 3 is a front elevational view thereof;
FIG. 4 is a rear elevational view thereof;
FIG. 5 is a left side elevational view thereof;
FIG. 6 is a right side elevational view thereof;
FIG. 7 is a top plan view thereof; and,
FIG. 8 is a bottom plan view thereof.

The broken lines shown in the drawings represent portions of the bidet that form no part of the claimed design.

1 Claim, 8 Drawing Sheets



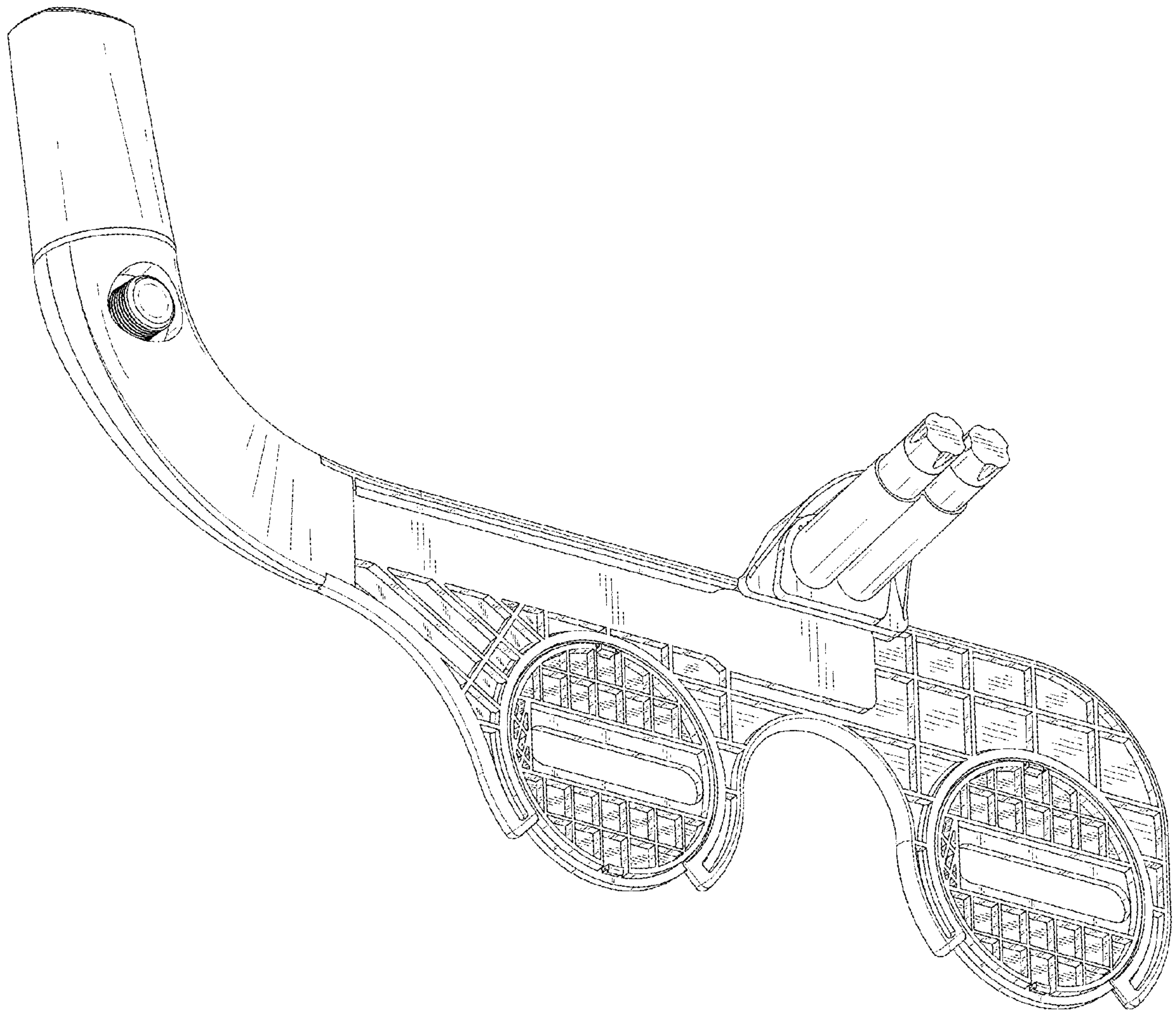


FIG. 1

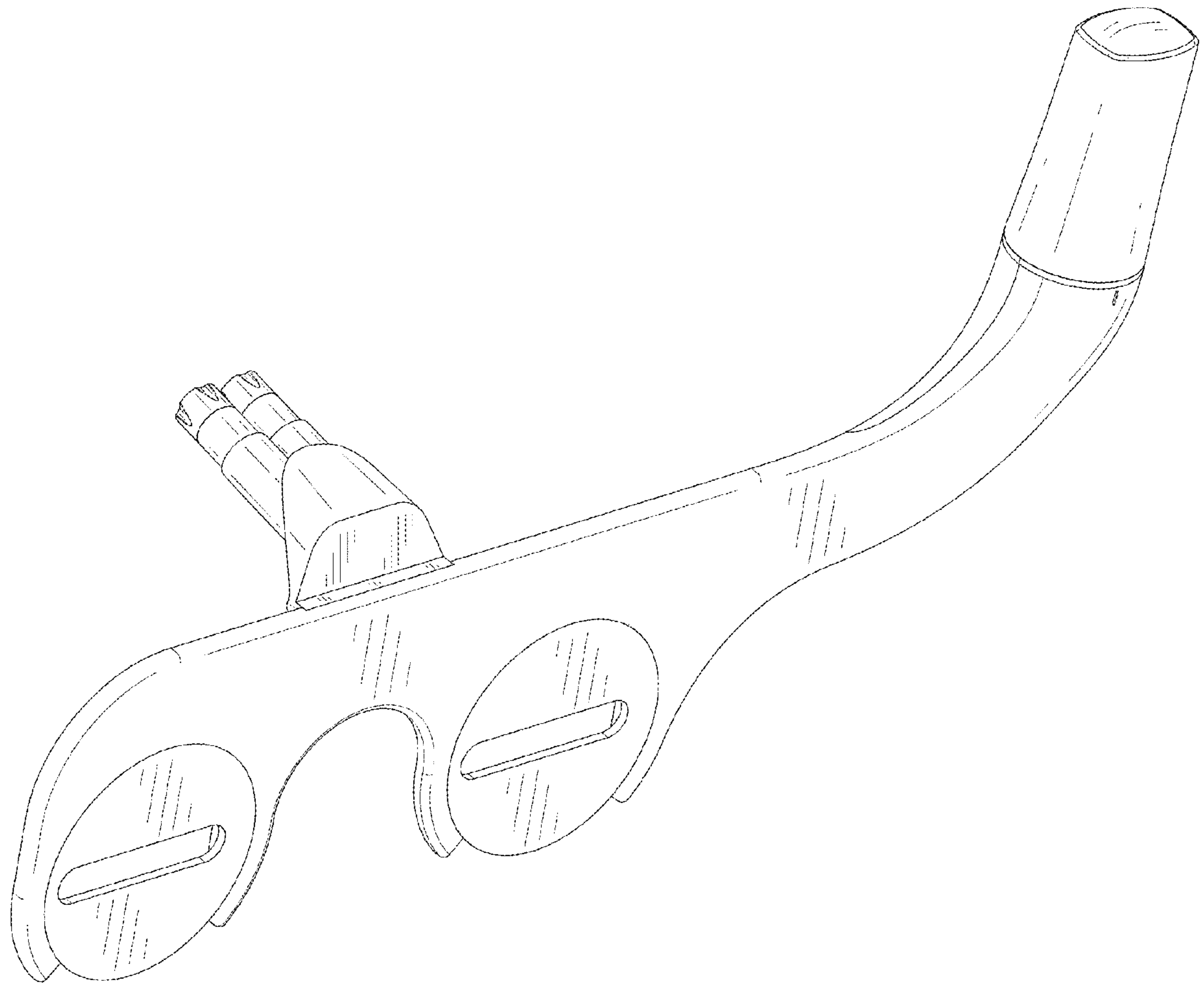


FIG. 2

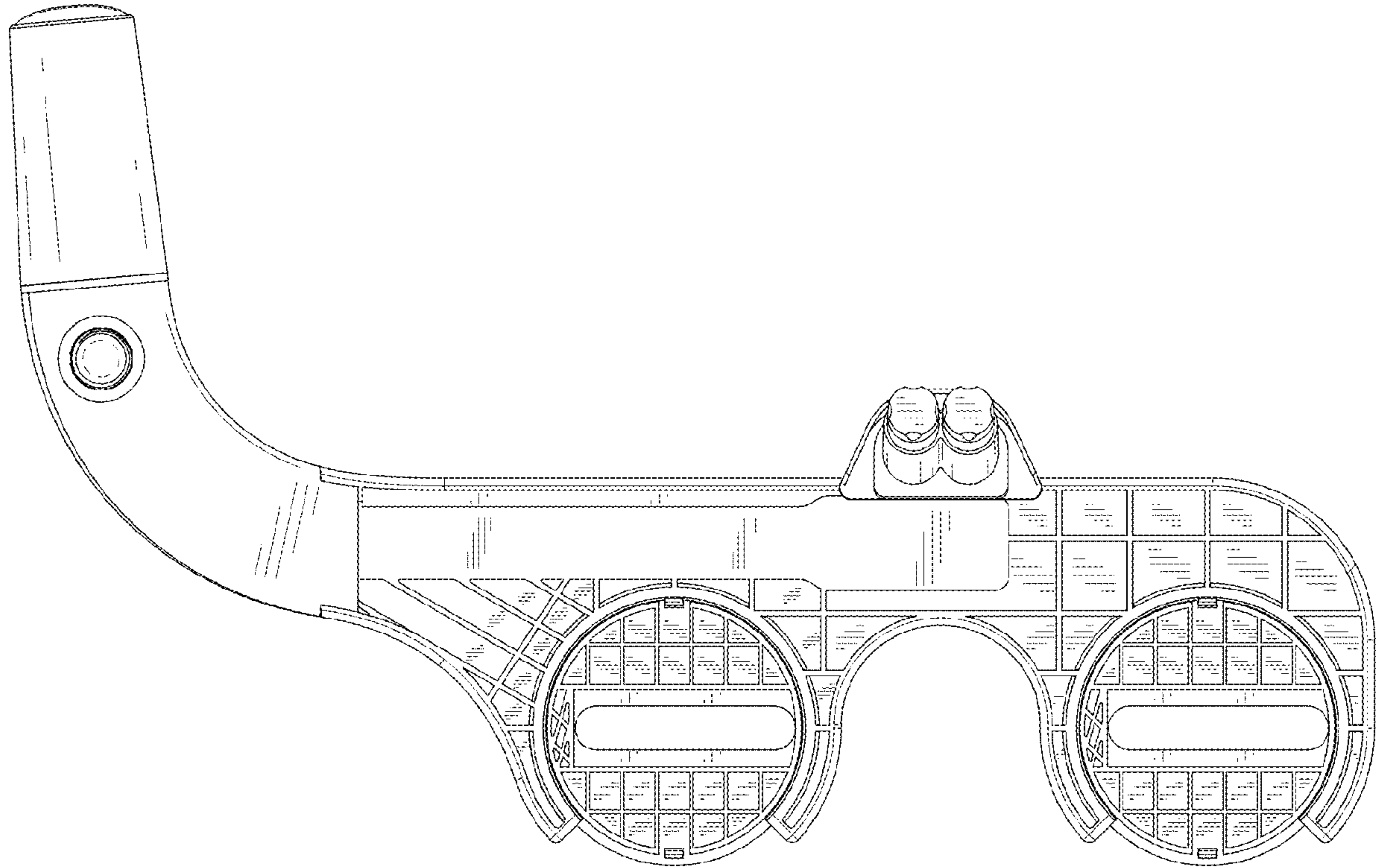


FIG. 3

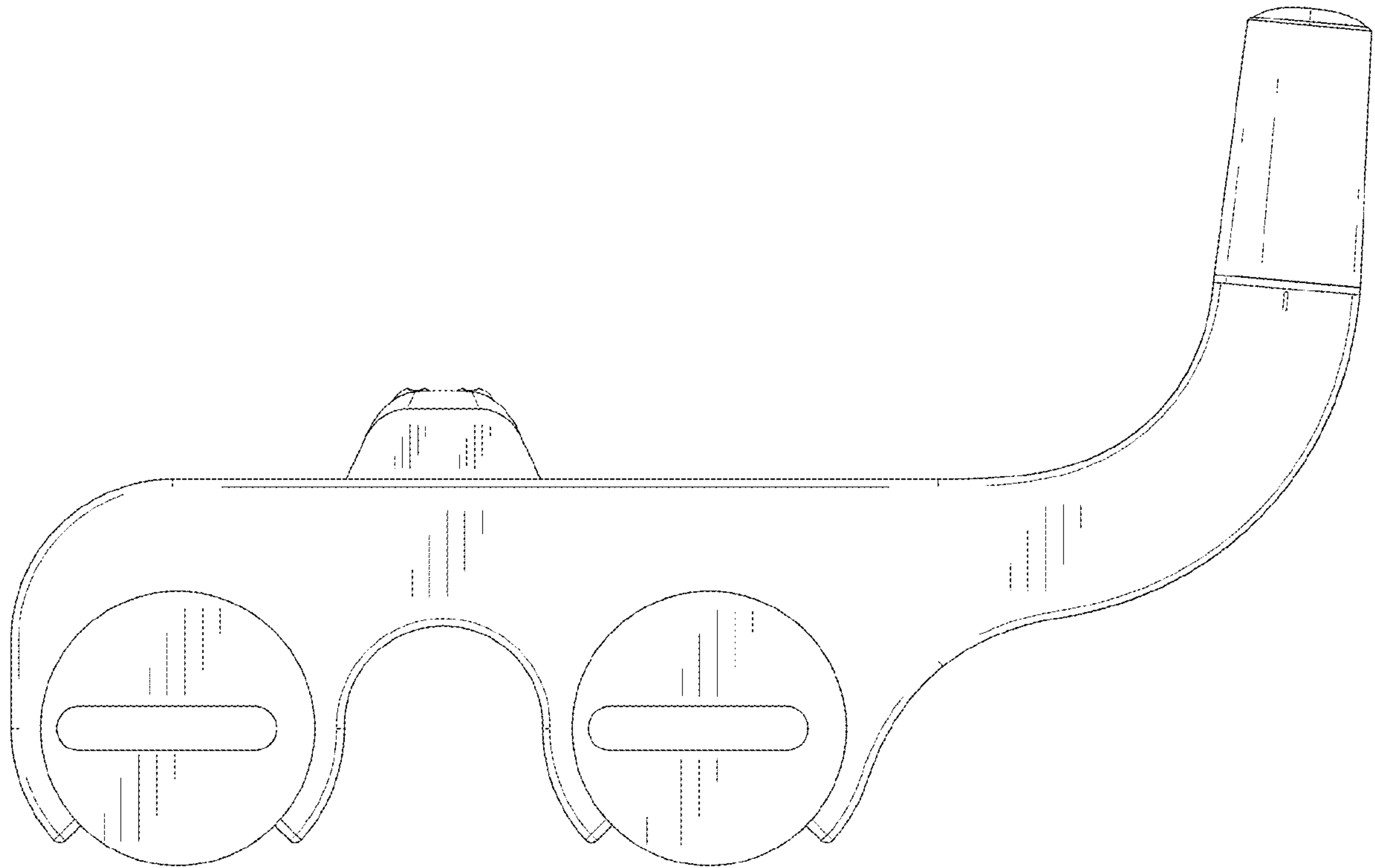


FIG. 4

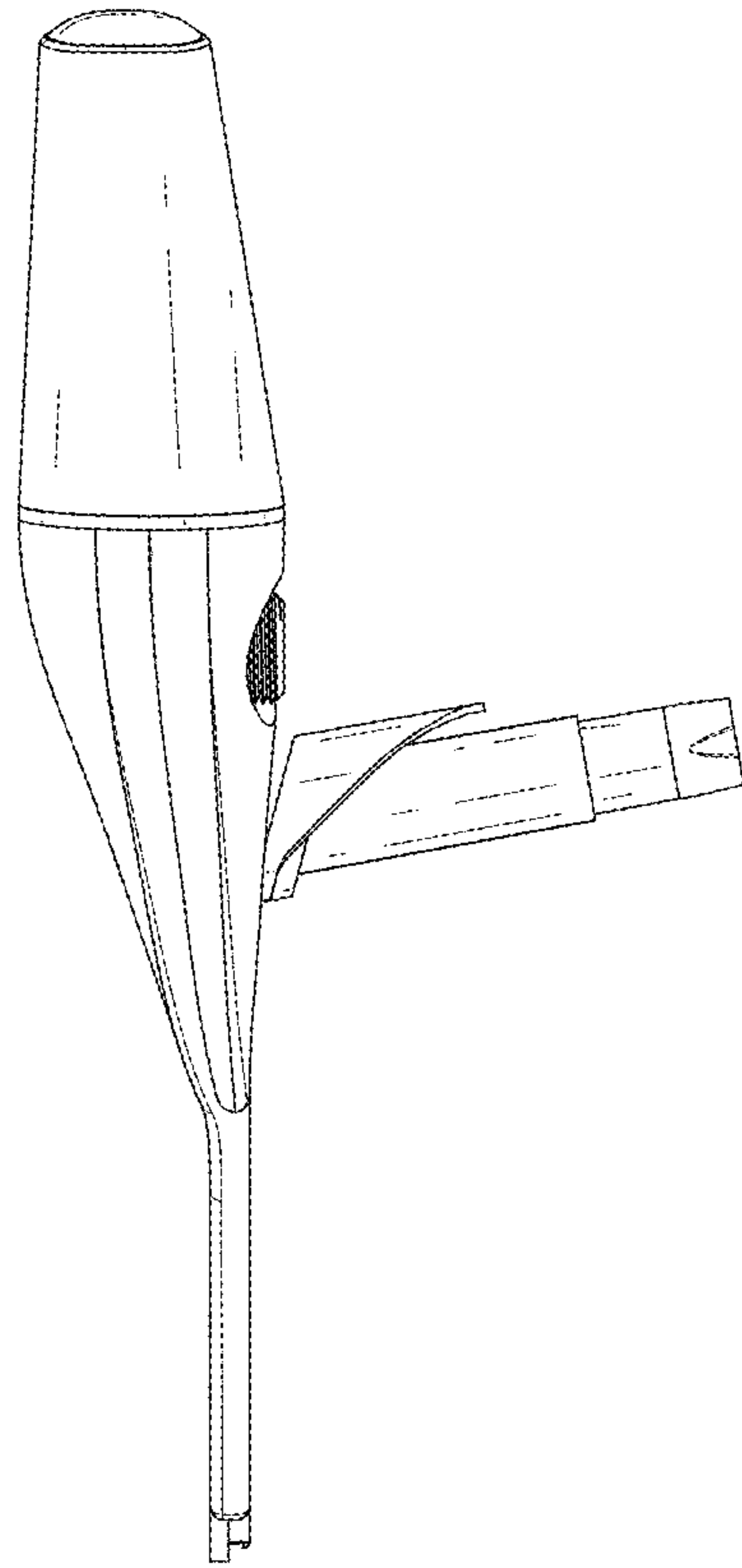


FIG. 5

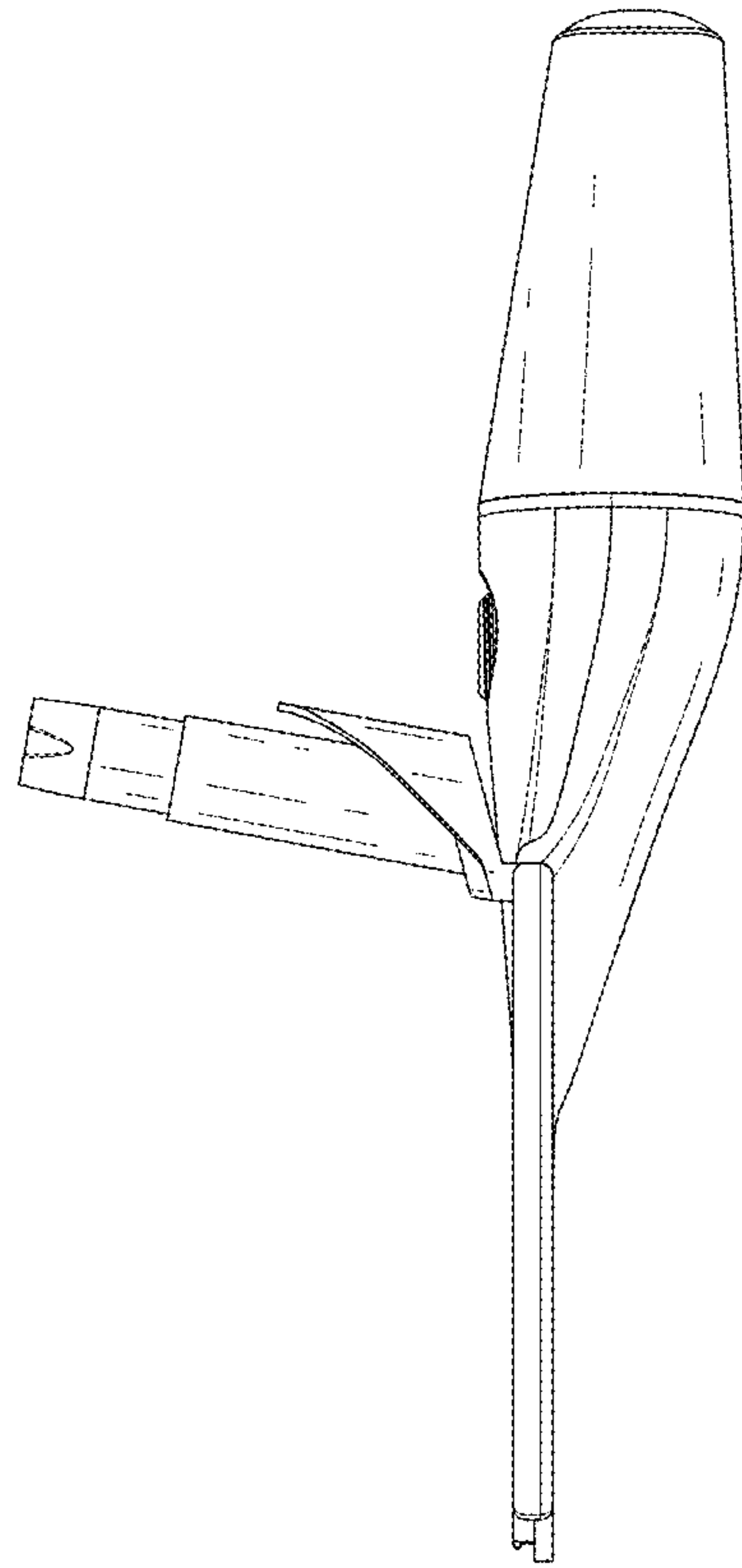


FIG. 6

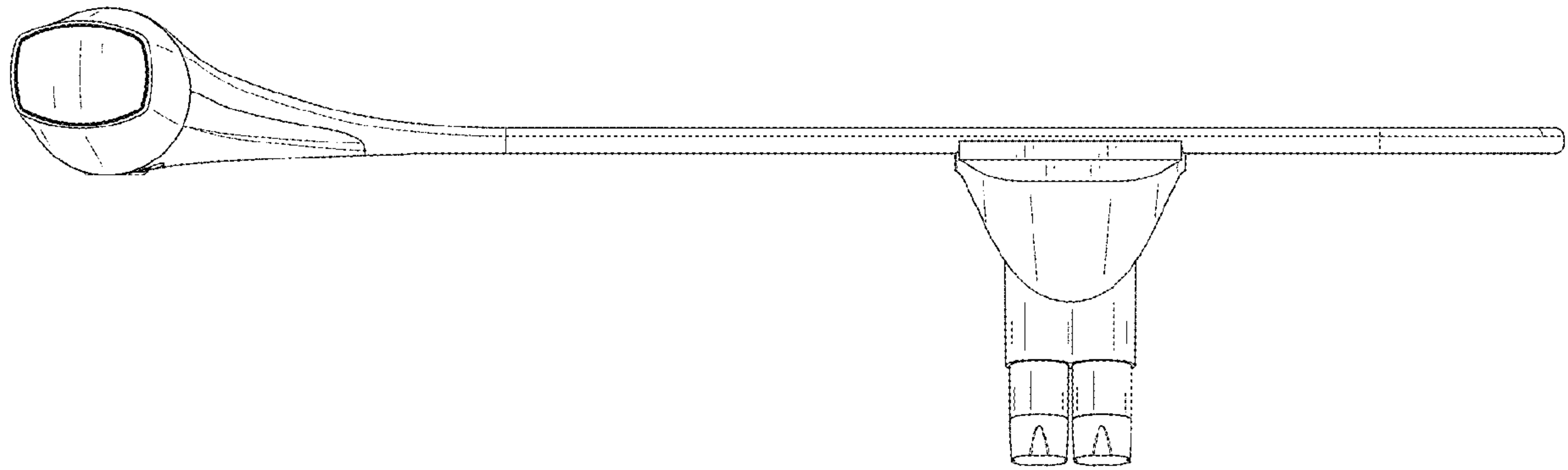


FIG. 7

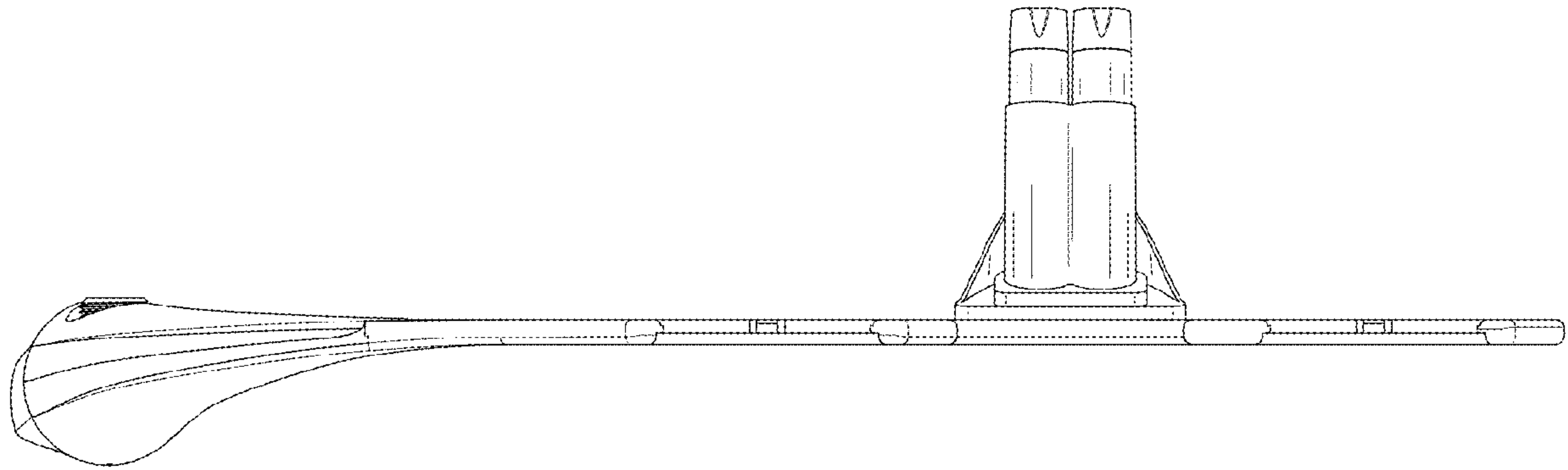


FIG. 8