



US00D984605S

(12) **United States Design Patent**  
**Krehlik et al.**

(10) **Patent No.:** **US D984,605 S**  
(45) **Date of Patent:** **\*\* Apr. 25, 2023**

(54) **TOILET**

(71) Applicant: **JCDECAUX SAN FRANCISCO LLC**, San Francisco, CA (US)

(72) Inventors: **Tyler Krehlik**, San Francisco, CA (US);  
**Bill Katz**, San Francisco, CA (US)

(73) Assignee: **JCDECAUX SAN FRANCISCO LLC**, San Francisco, CA (US)

(\*\*) Term: **15 Years**

(21) Appl. No.: **29/744,271**

(22) Filed: **Jul. 28, 2020**

(30) **Foreign Application Priority Data**

Jan. 28, 2020 (FR) ..... 2020 0480

(51) **LOC (14) Cl.** ..... **23-02**

(52) **U.S. Cl.**  
USPC ..... **D23/299**

(58) **Field of Classification Search**  
USPC ..... D23/295, 297-299, 309; D9/633  
See application file for complete search history.

(56) **References Cited**

**U.S. PATENT DOCUMENTS**

D97,839 S \* 12/1935 Callahan ..... D23/299  
D101,238 S \* 9/1936 Morgan ..... D23/299  
D241,845 S \* 10/1976 Shamsie ..... D23/299  
D354,340 S \* 1/1995 Sundberg ..... D23/299

D591,408 S \* 4/2009 Sato ..... D23/299  
D639,917 S \* 6/2011 Corn ..... D23/299  
9,170,720 B2 \* 10/2015 Plate ..... E03D 11/00  
D891,591 S \* 7/2020 Van Leeuwen ..... D23/299  
2007/0093083 A1 \* 4/2007 Bogison ..... A47K 1/04  
439/66

**FOREIGN PATENT DOCUMENTS**

WO WO-2021070973 A1 \* 4/2021

**OTHER PUBLICATIONS**

Barrel Vanity with Flat Back, Includes Sink and Faucet. <https://viennawoodworks.com/barn-wood-vanities/barrel-vanity-with-sink-and-faucet-flat-back> (Year: 2021).\*

\* cited by examiner

*Primary Examiner* — Robert A Delehanty

(74) *Attorney, Agent, or Firm* — Nixon & Vanderhye

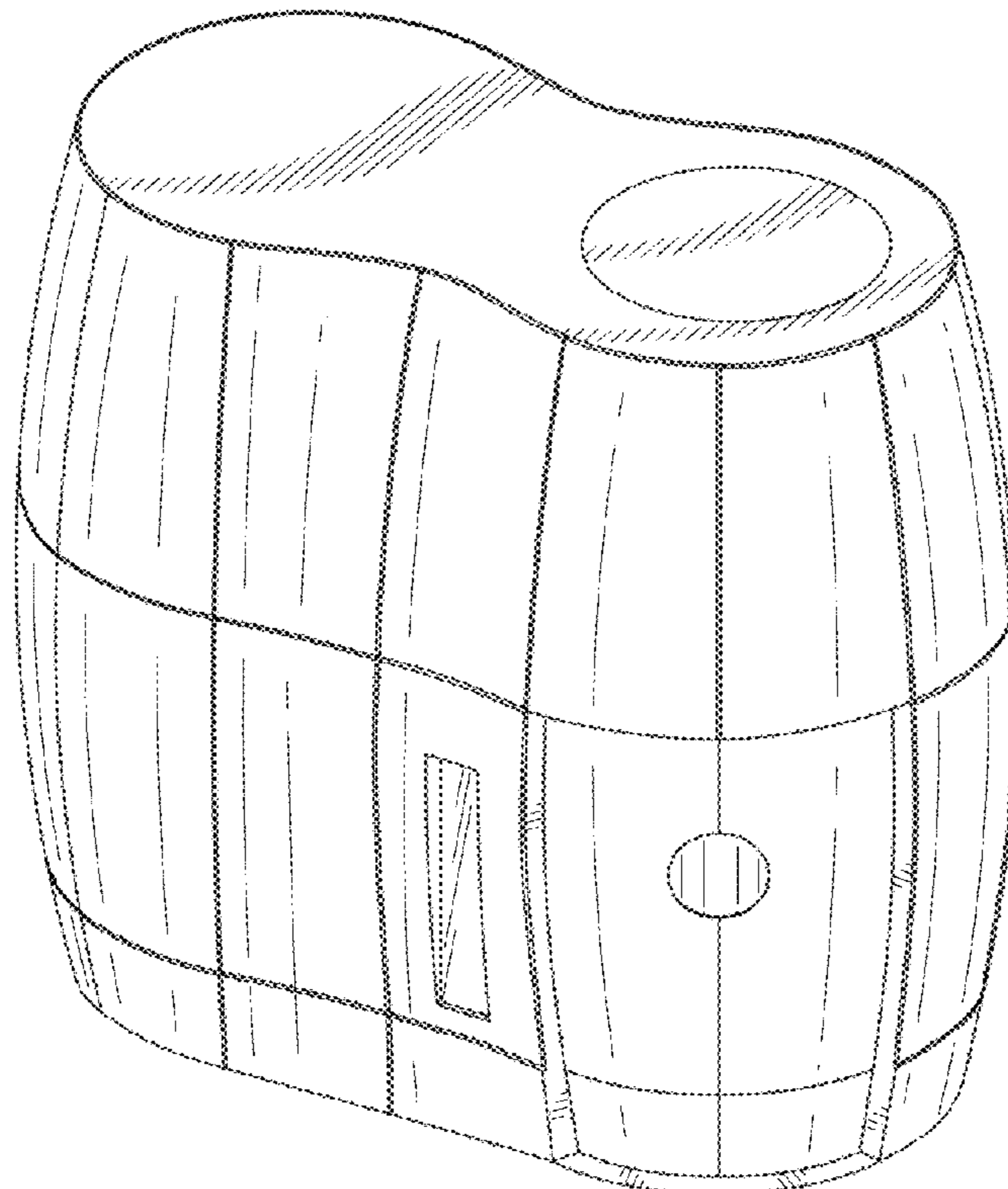
(57) **CLAIM**

The ornamental design for a toilet, as shown and described.

**DESCRIPTION**

FIG. 1 is a top perspective view of a toilet showing the new design;  
FIG. 2 is a right side view thereof;  
FIG. 3 is a left side view thereof;  
FIG. 4 is a front view thereof;  
FIG. 5 is a rear view thereof;  
FIG. 6 is a top view thereof; and,  
FIG. 7 is a bottom view thereof.

**1 Claim, 7 Drawing Sheets**



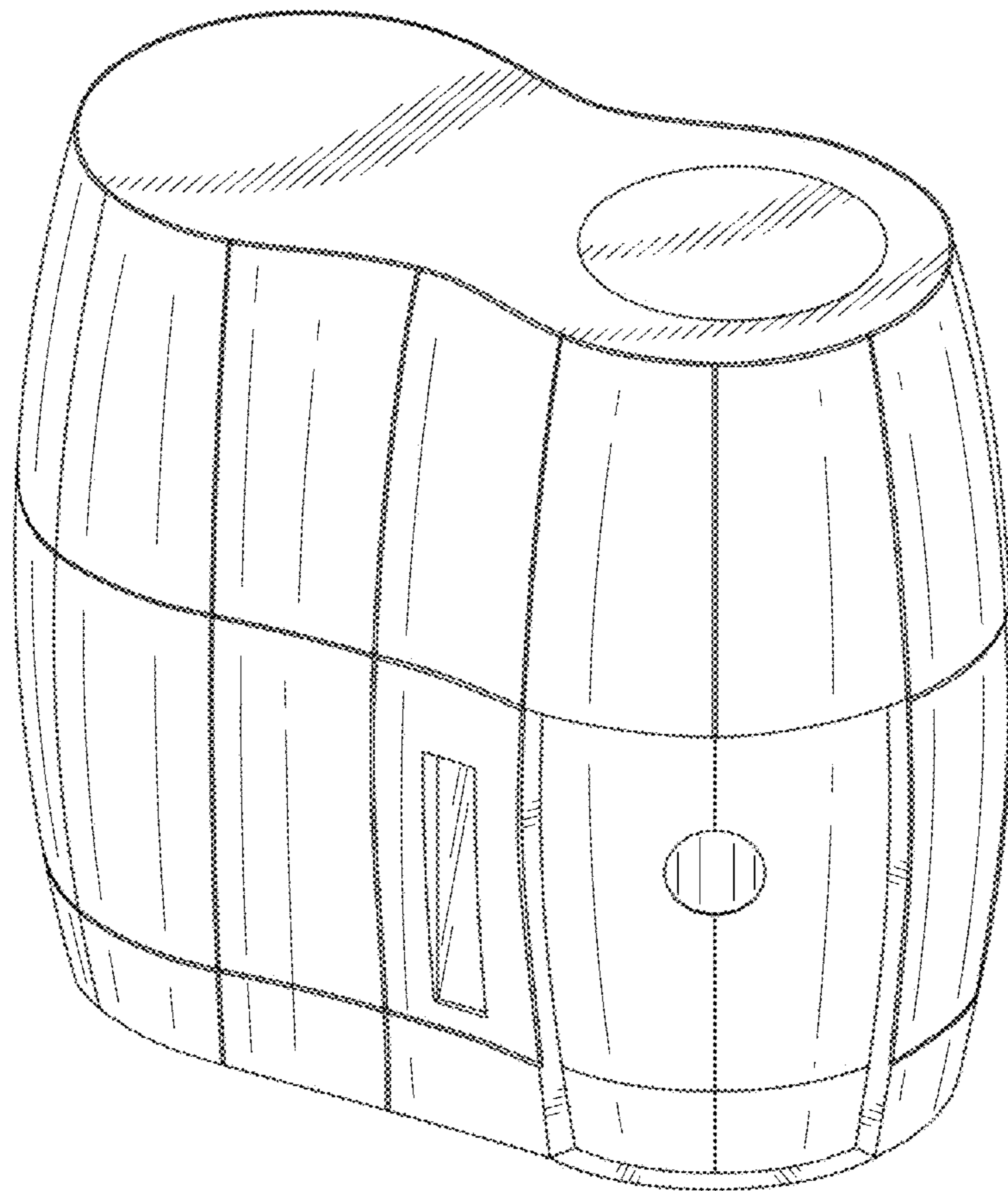


FIG. 1

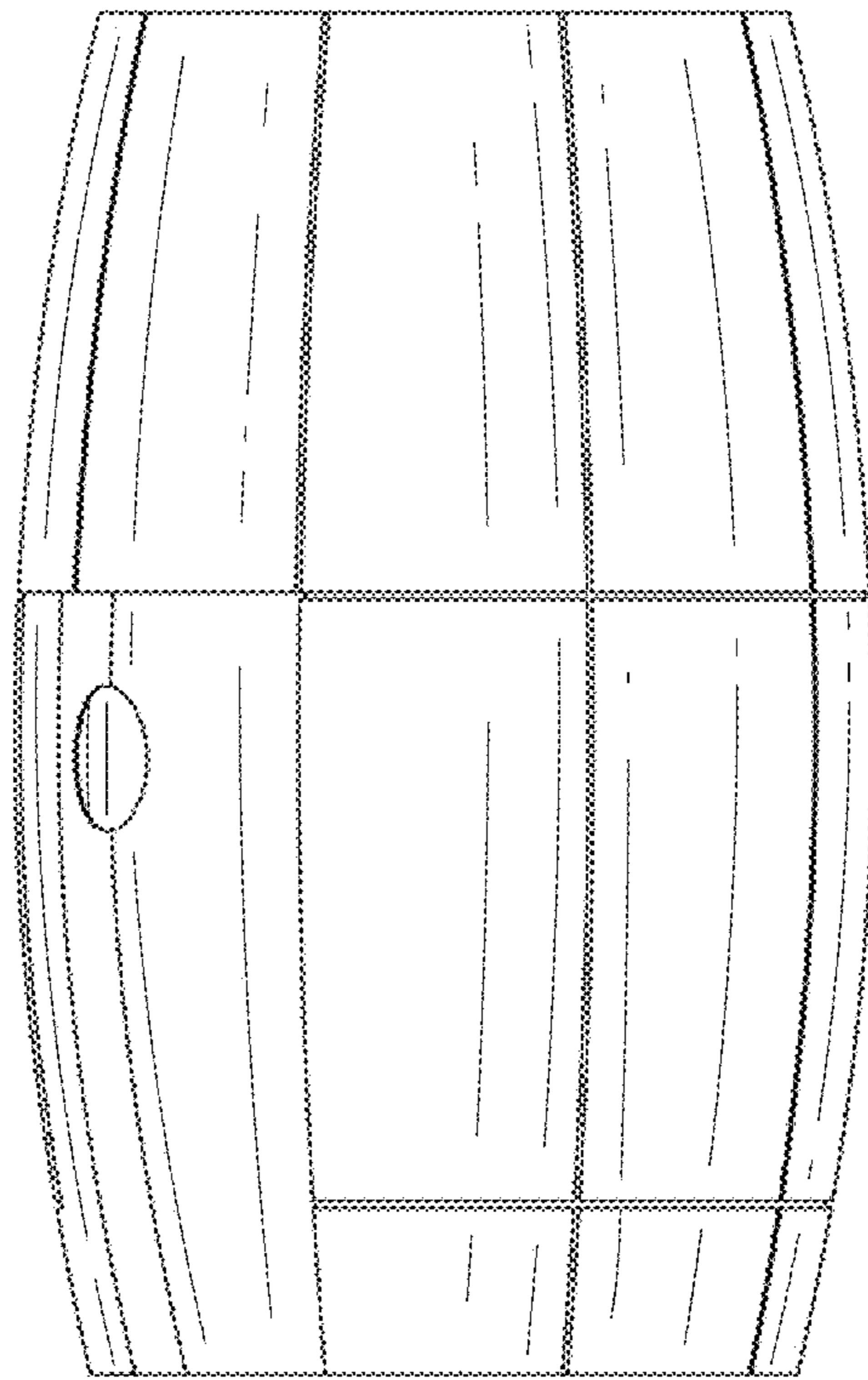
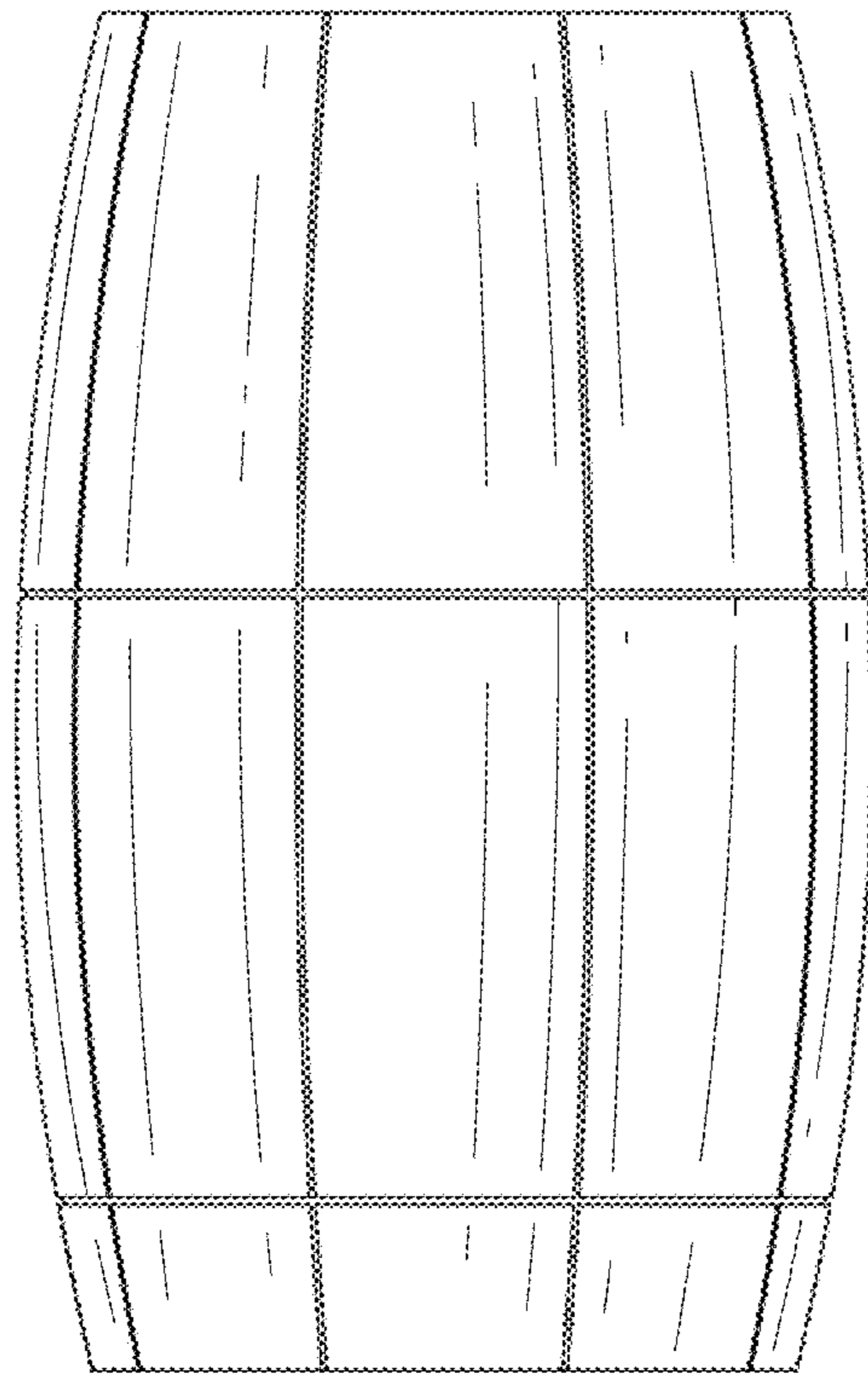


FIG. 2



**FIG. 3**

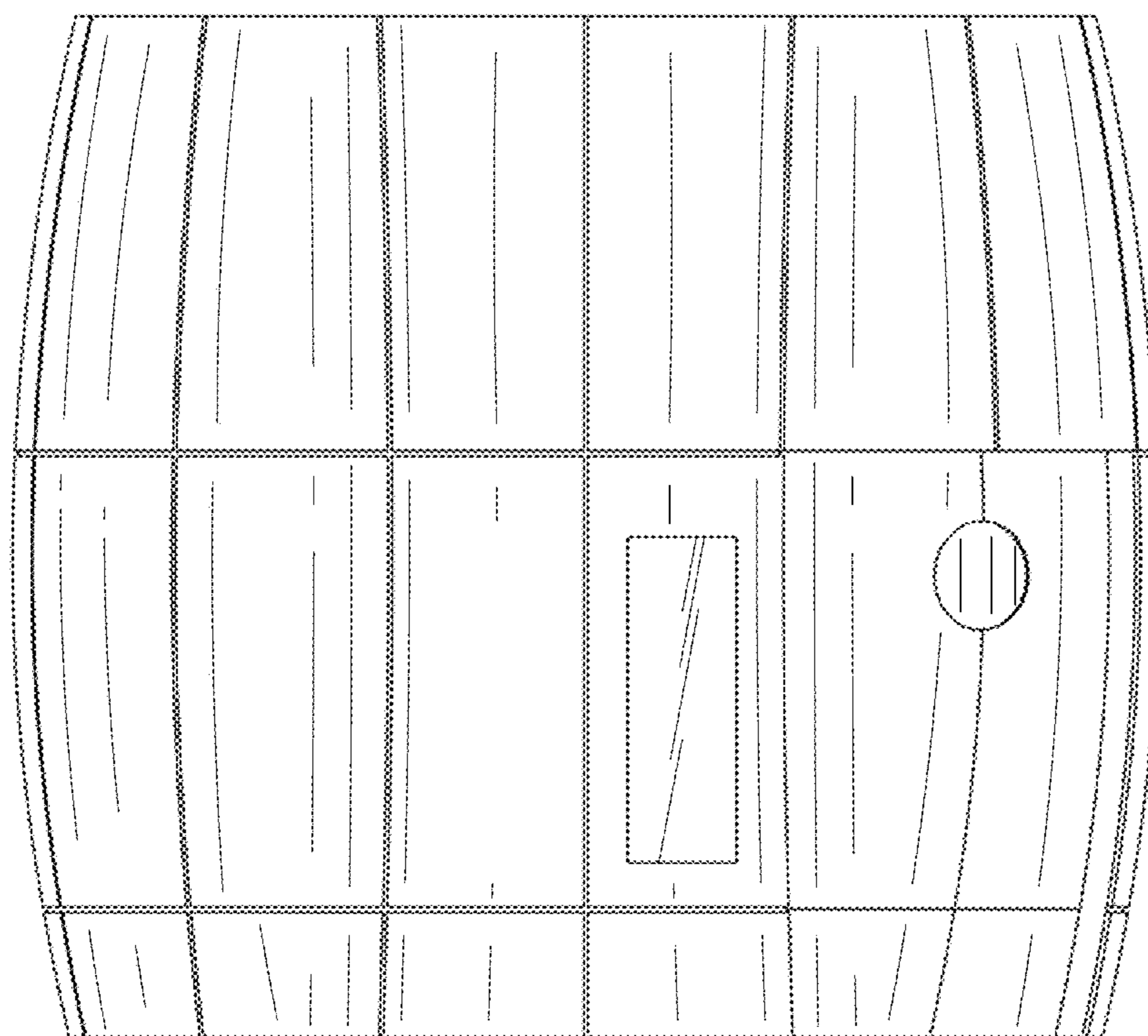


FIG. 4

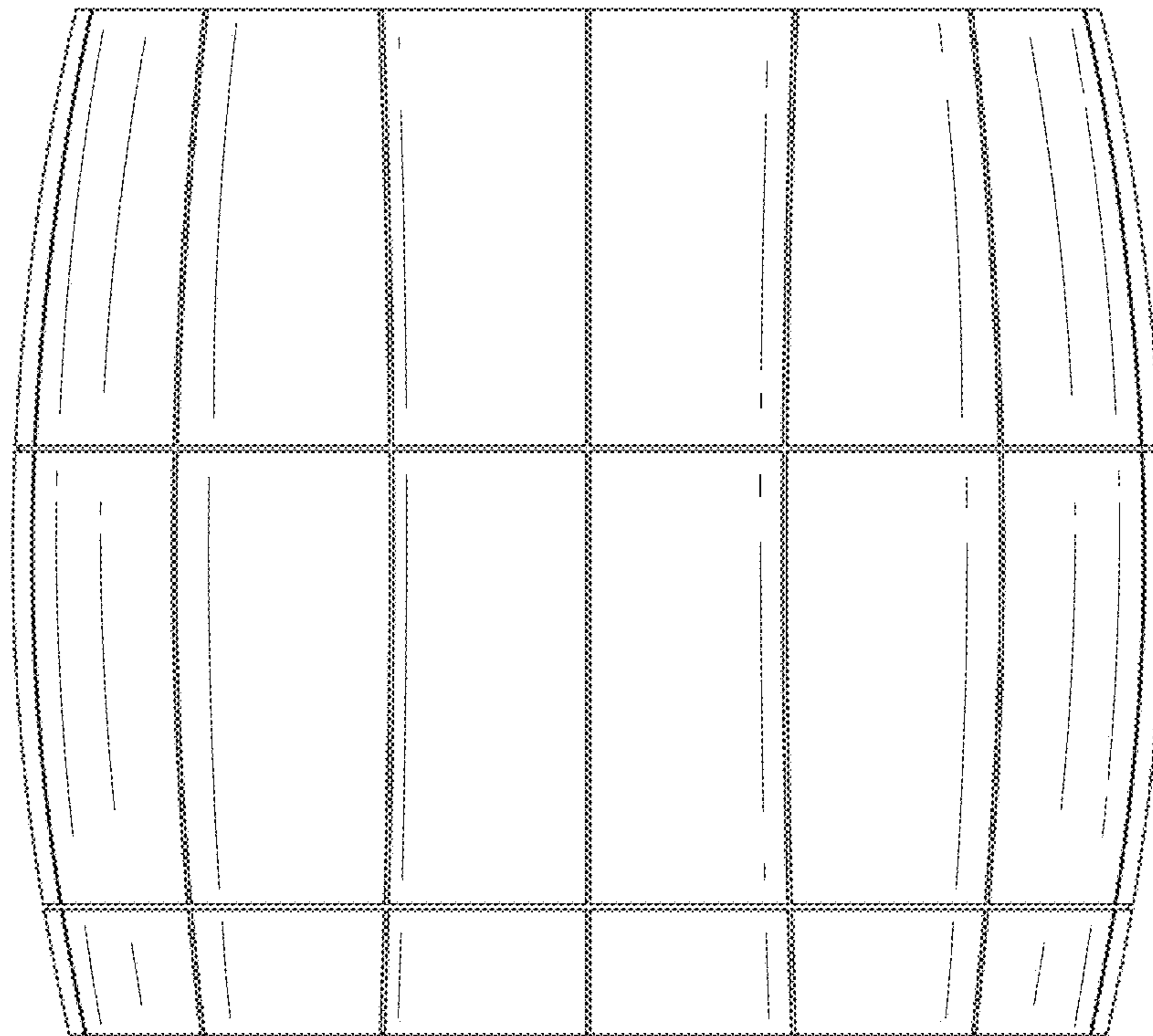


FIG. 5

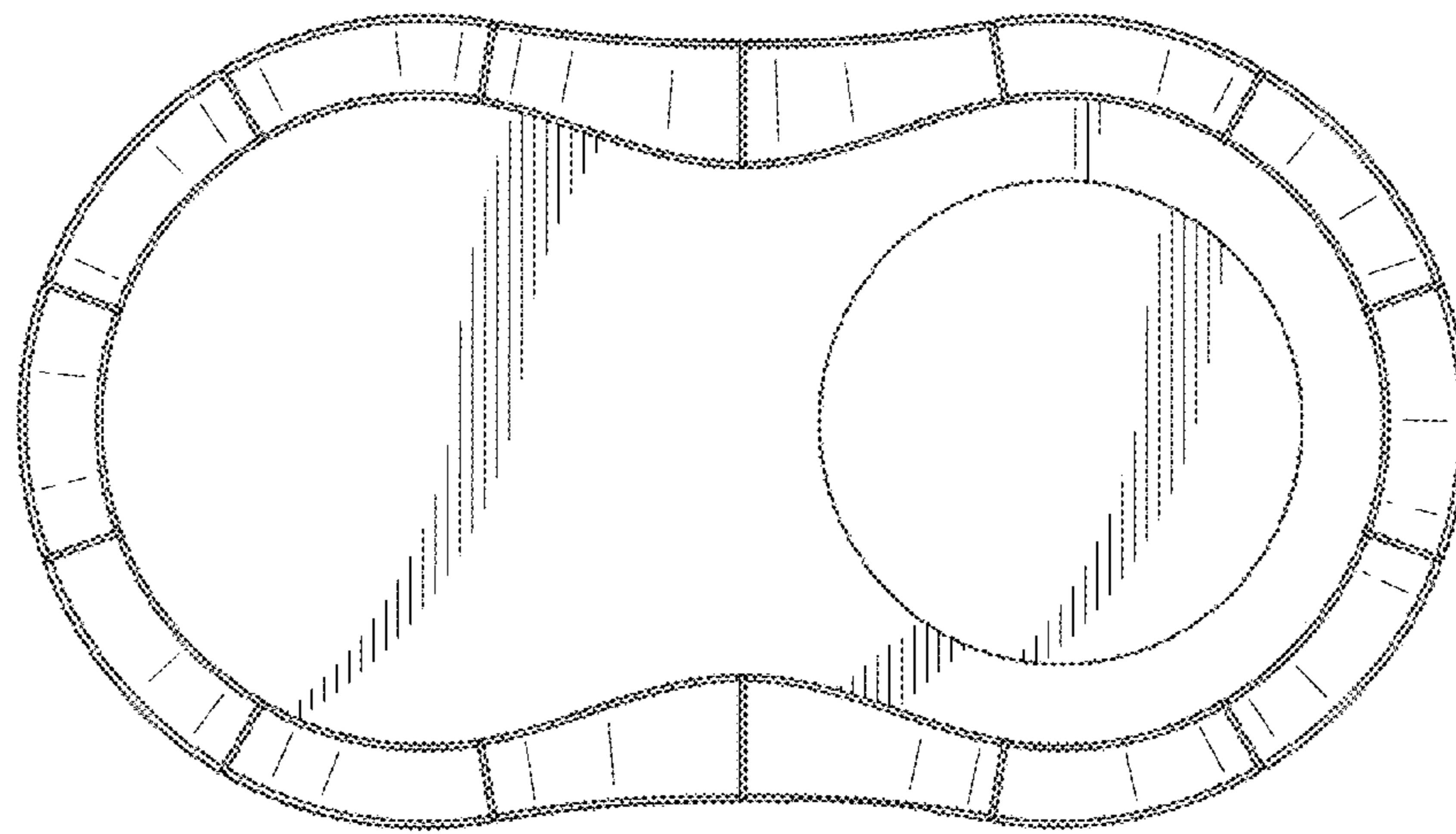


FIG. 6

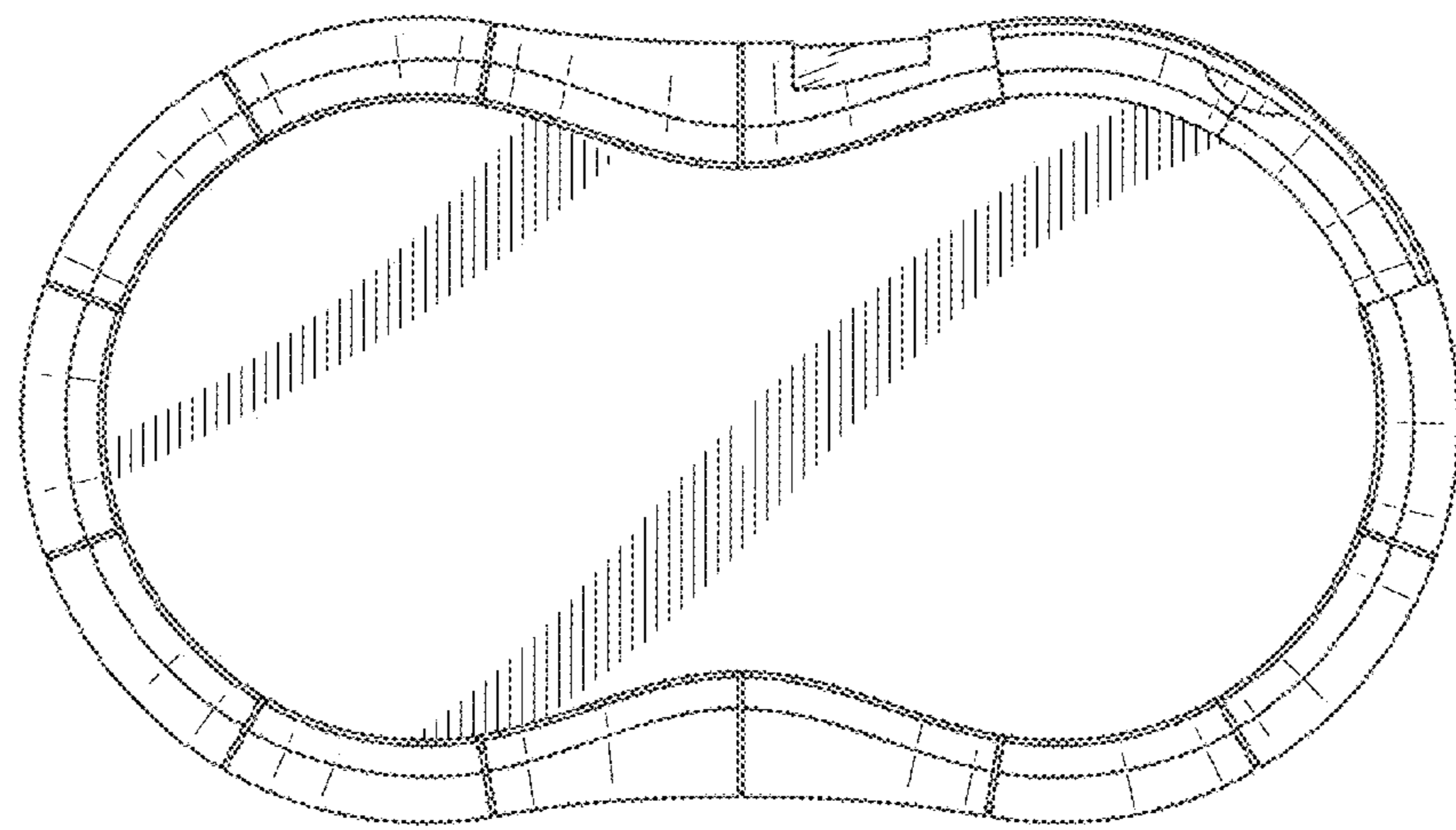


FIG. 7