



US00D984604S

(12) **United States Design Patent** (10) **Patent No.:** **US D984,604 S**
Chen (45) **Date of Patent:** **** Apr. 25, 2023**

(54) **TOILET SEAT FOR CHILDREN**

(71) Applicant: **Yanguo Chen**, Taizhou (CN)

(72) Inventor: **Yanguo Chen**, Taizhou (CN)

(**) Term: **15 Years**

(21) Appl. No.: **29/862,544**

(22) Filed: **Dec. 9, 2022**

(51) **LOC (14) Cl.** **23-02**

(52) **U.S. Cl.**
USPC **D23/296**

(58) **Field of Classification Search**
USPC D23/296, 309, 311; D6/339, 259,
D6/708.19; D25/63-64, 69
See application file for complete search history.

(56) **References Cited**

U.S. PATENT DOCUMENTS

D284,023 S	5/1986	Lipski	
D307,629 S	5/1990	Takahashi et al.	
D310,869 S	9/1990	Sedlack	
D336,789 S *	6/1993	Yang	D21/600
D485,998 S *	2/2004	Bourget	D6/359
D490,991 S *	6/2004	Desnos	D6/333
D501,683 S *	2/2005	Hernandez	D6/350
D570,461 S	6/2008	Desnos-Simon	
D618,321 S *	6/2010	Yeung	D23/296
D879,926 S *	3/2020	Hu	D23/309
D904,584 S *	12/2020	Stroikov	D23/296
D918,354 S *	5/2021	Xu	D23/296
D976,375 S *	1/2023	Jin	D23/296
D976,376 S *	1/2023	Jin	D23/296

FOREIGN PATENT DOCUMENTS

CA	2393097 A1 *	4/2003	A47K 11/06
WO	WO-2015142413 A1 *	9/2015	A47K 11/04

OTHER PUBLICATIONS

Babevy Toddler Potty Training Seat with Ladder, Upgraded Triangle Design Toddler Toilet Seat for Kids; https://www.amazon.com/dp/B0BJV22BS6/ref=sspa_dk_detail_3?psc=1&pd_rd_i=B0BJV22BS6&pd_rd_w=ZAxln&content-id=amzn1.sym.dd2c6db7-6626-466d-bf04-9570e69a7df0&pf_rd_p=dd2c6db7-6626-466d-bf04-9570e69a7df0&pf_rd_r=0RGZF319VNB2B9GDY9GH&pd_rd_wg=RQH3H&pd_rd_r=8e1bde50-16d8-4d89-865b-2c1112d41b9f&s=hi&sp_csd=d2 (Year: 2022).*

Toddler Baby Frog Cartoon Folding Ladder Potty Chair; https://www.aliexpress.us/item/3256803240167000.html?gatewayAdapt=glo2usa4itemAdapt&_randl_shipto=US (Year: 2022).*

* cited by examiner

Primary Examiner — Robert A Delehanty

(57) **CLAIM**

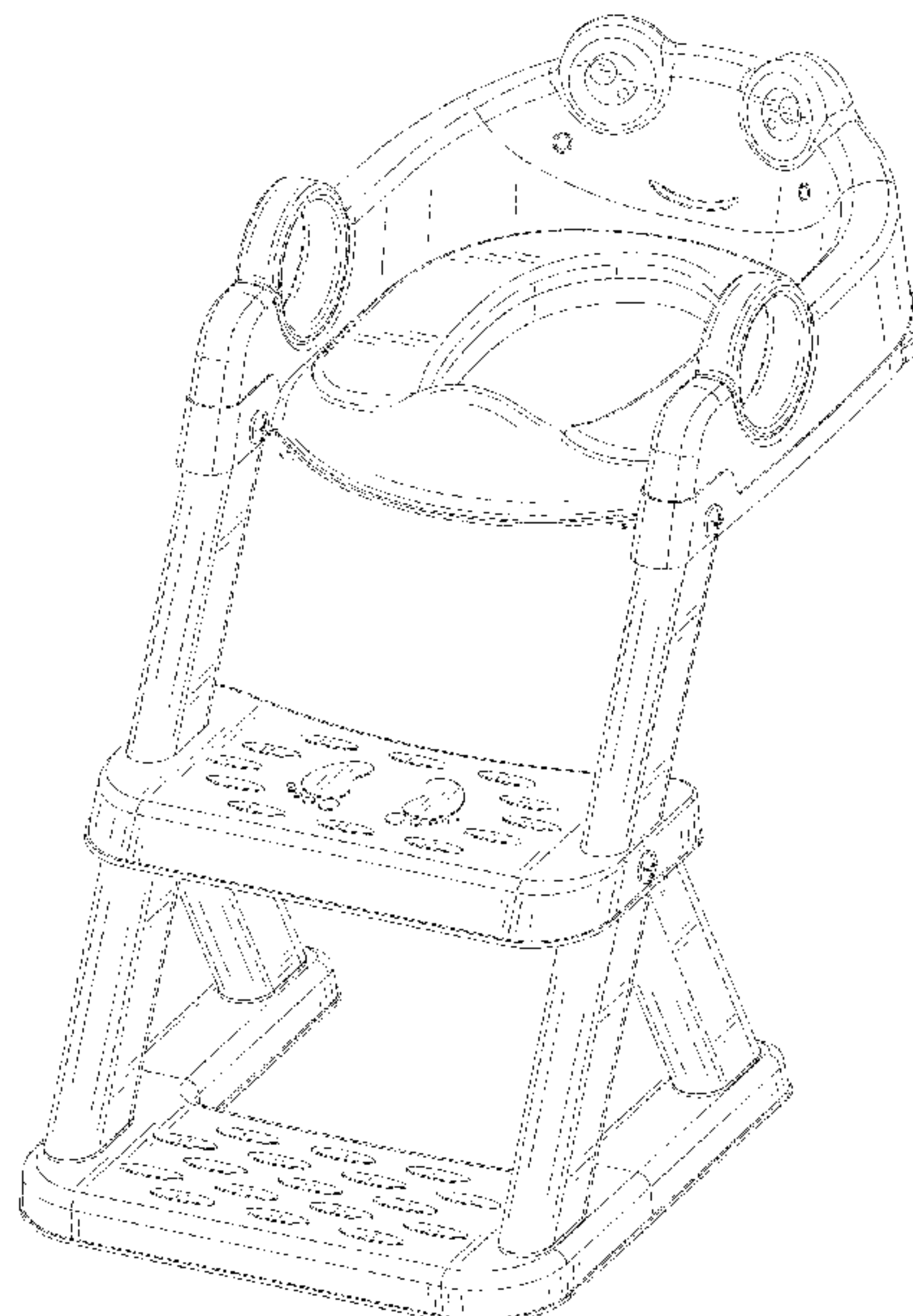
The ornamental design for a toilet seat for children, as shown and described.

DESCRIPTION

FIG. 1 is a front, right, and top perspective view of a toilet seat for children, showing my new design; FIG. 2 is a front, right, and bottom perspective view thereof; FIG. 3 is a front elevational view thereof; FIG. 4 is a rear elevational view thereof; FIG. 5 is a left elevational view thereof; FIG. 6 is a right elevational view thereof; FIG. 7 is a top plan view thereof; FIG. 8 is a bottom plan view thereof; and, FIG. 9 is an enlarged view of the delineated region 9 in FIG. 7.

The dash broken lines depict portions of the toilet seat for children that form no part of the claimed design. The long dash-short dash broken lines in FIGS. 7 and 9 form no part of the claimed design and delineate portions of the claimed design that are shown on an enlarged scale in FIG. 9.

1 Claim, 9 Drawing Sheets



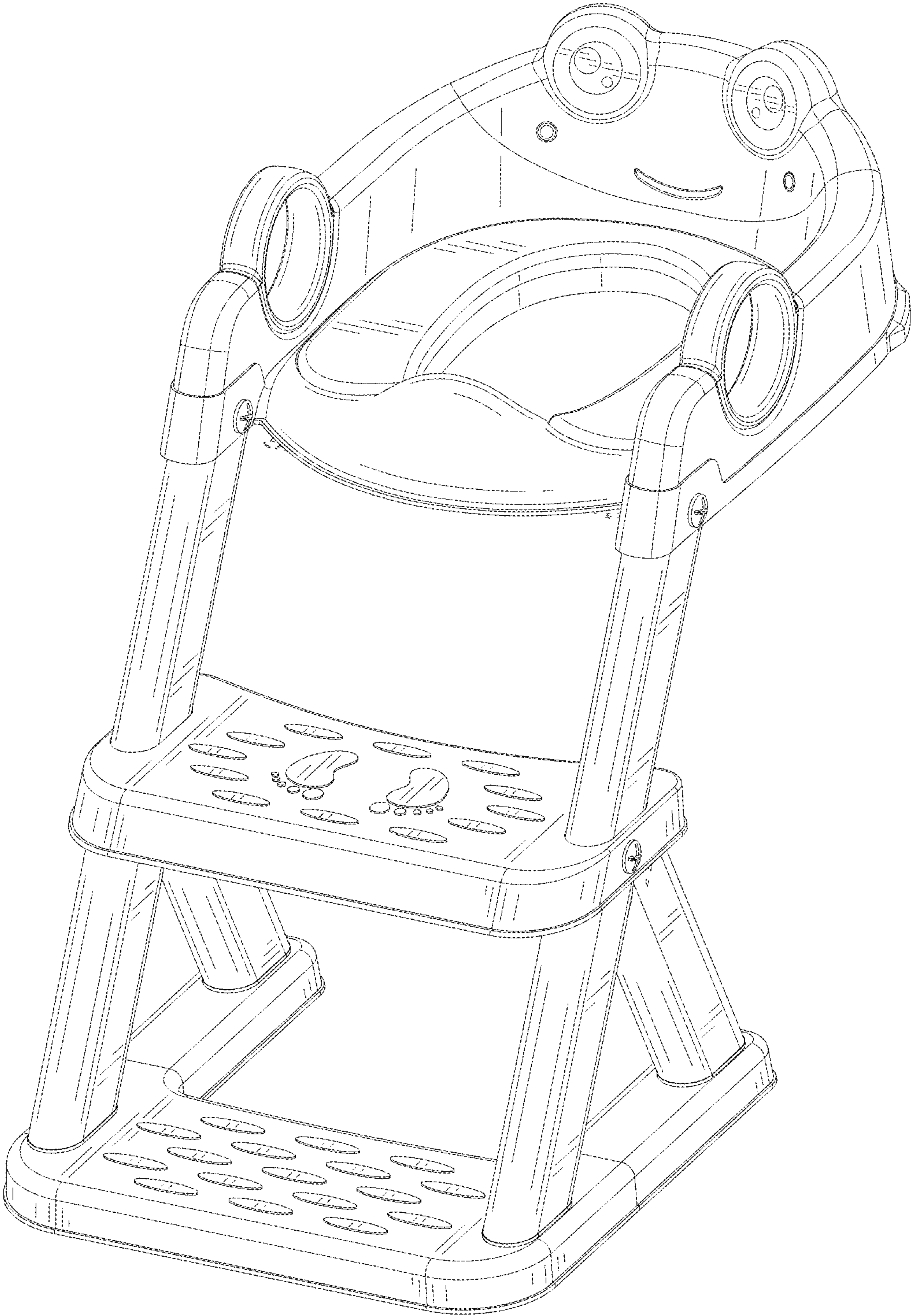


FIG. 1

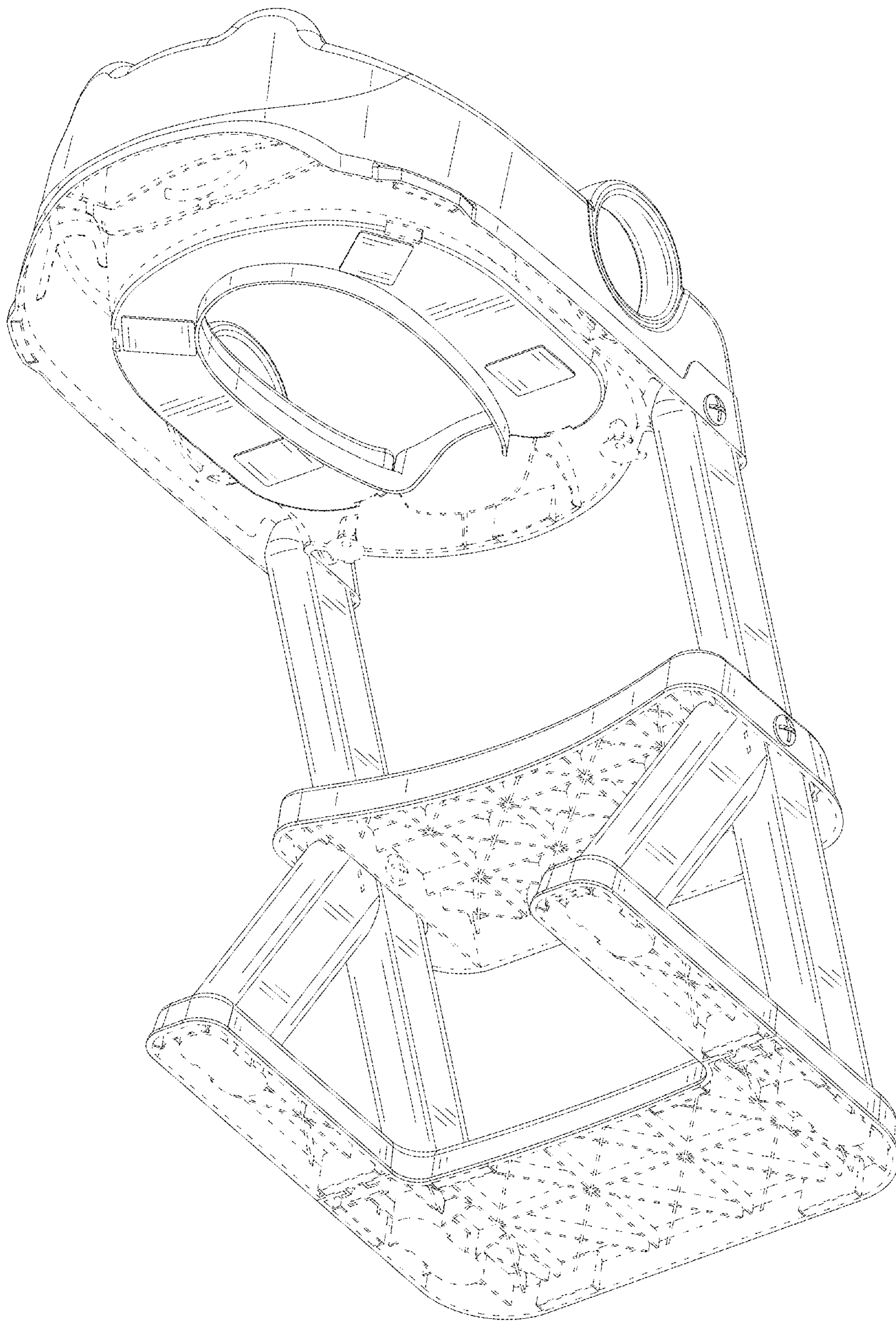


FIG. 2

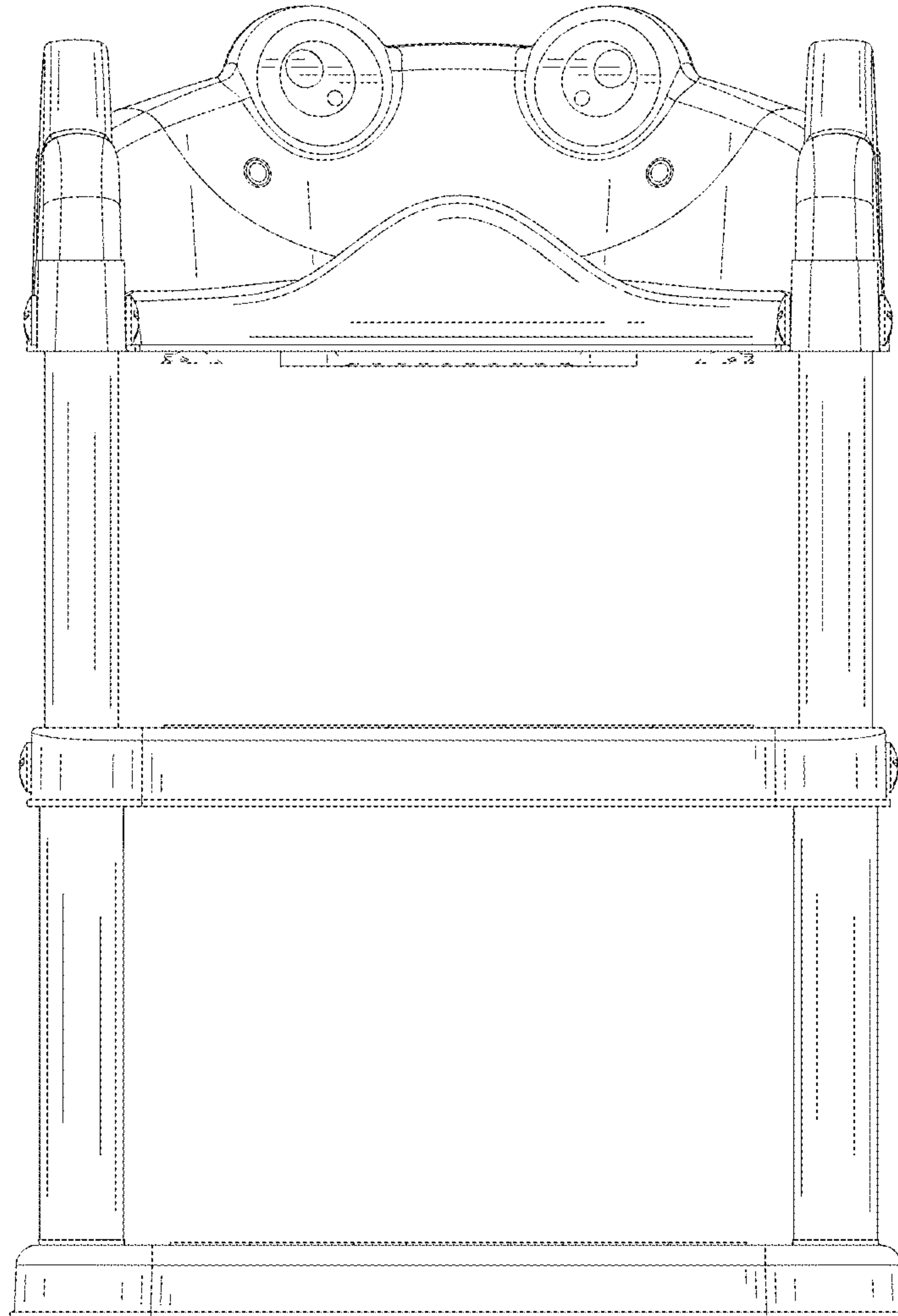


FIG. 3

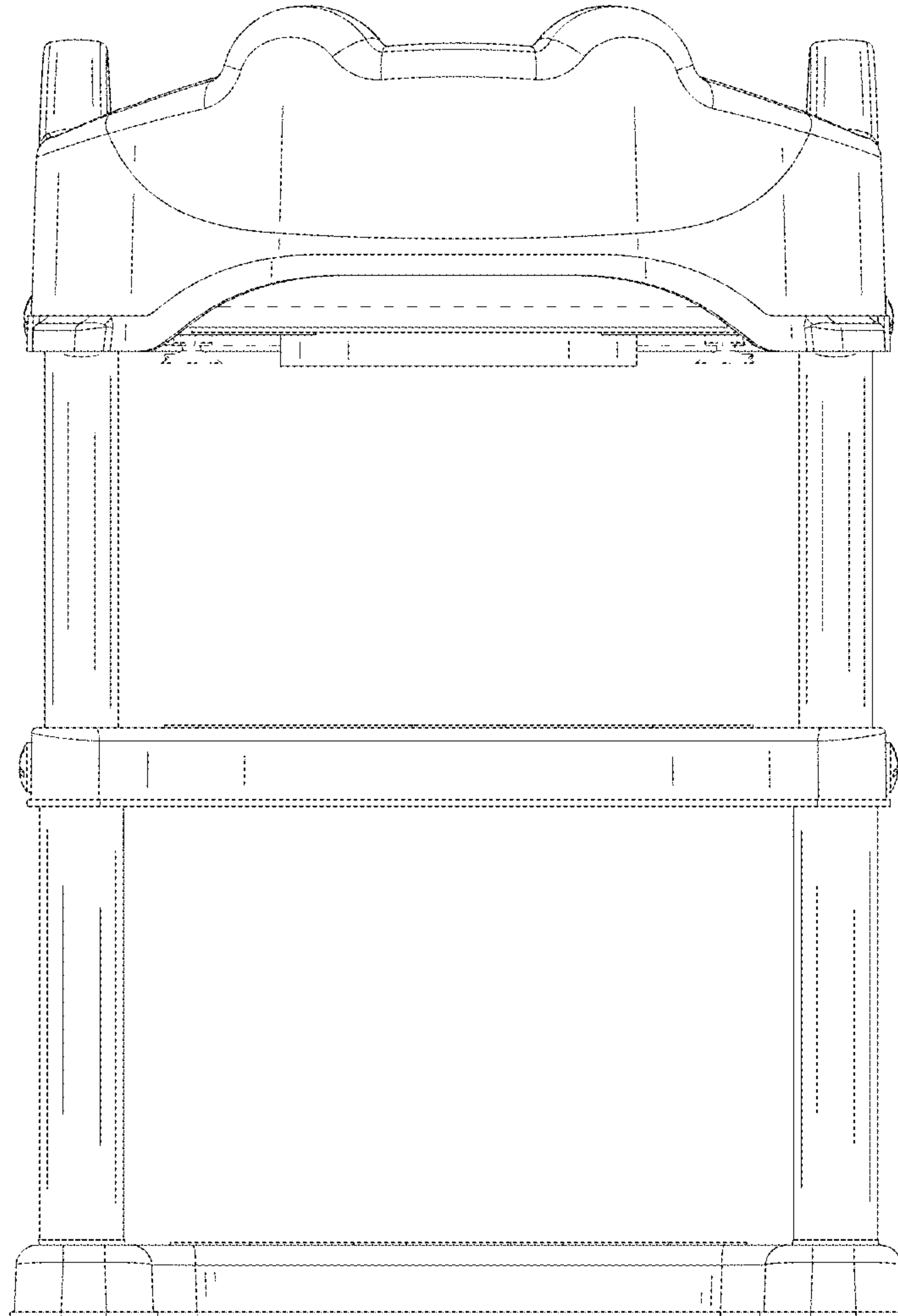


FIG. 4

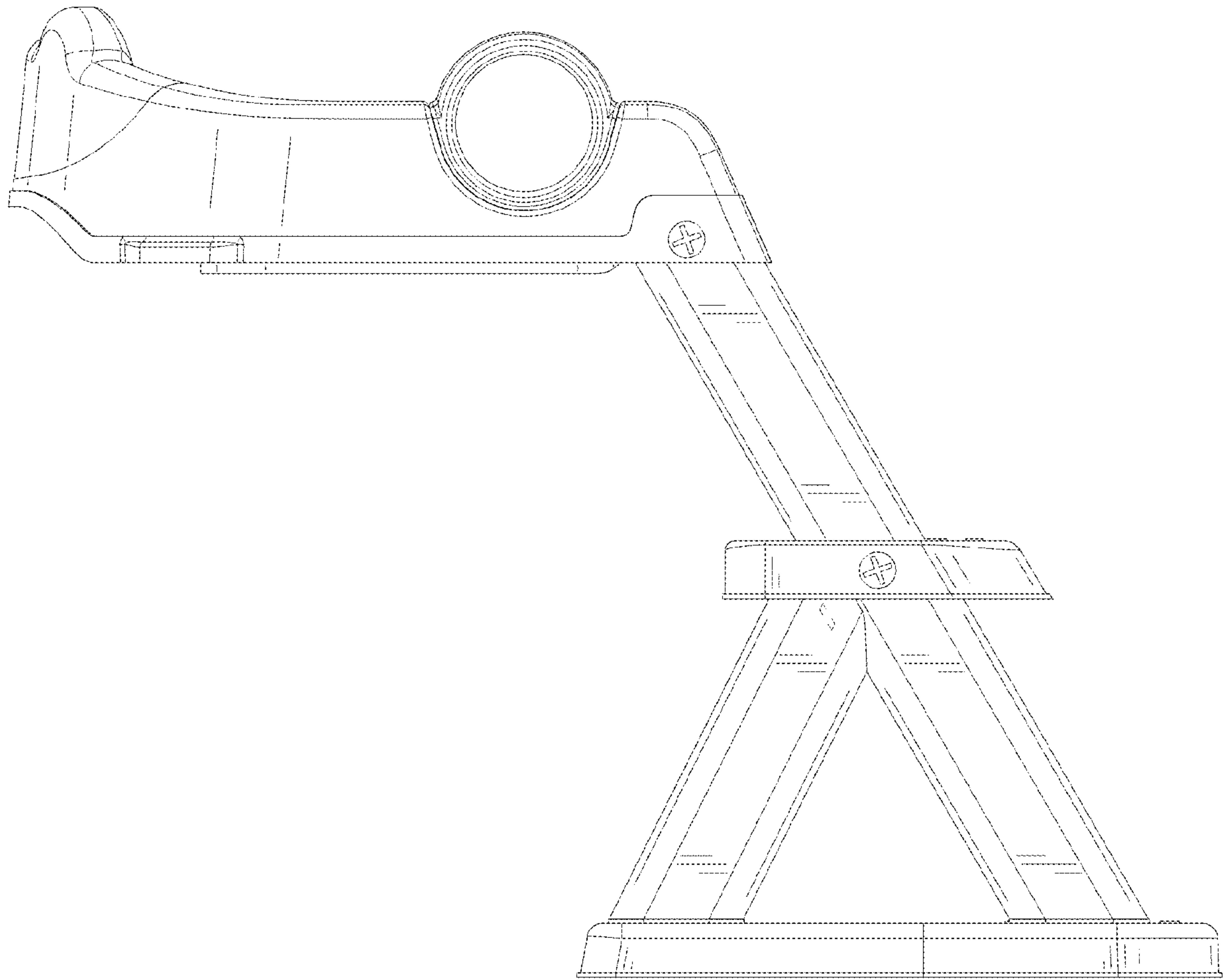


FIG. 5

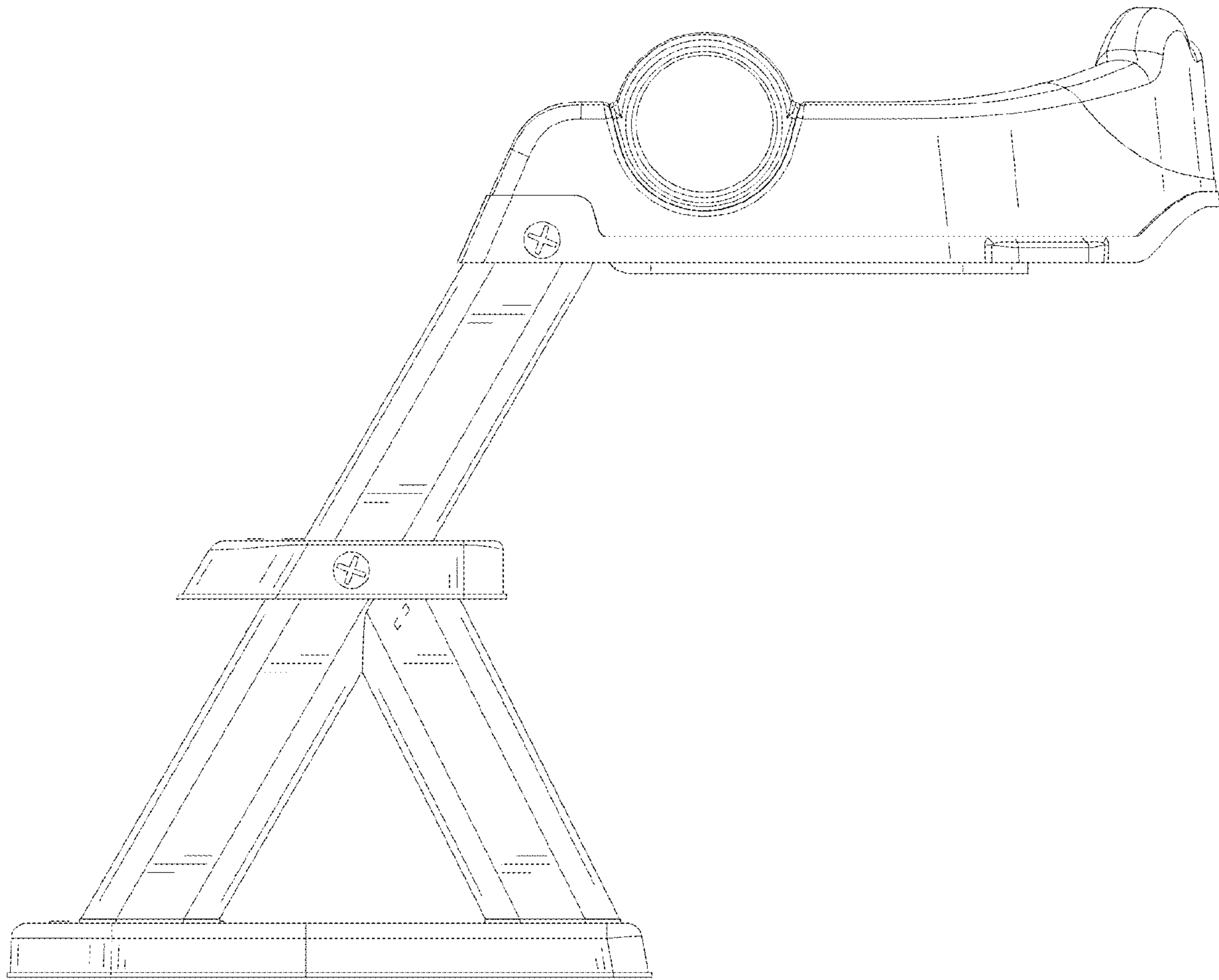


FIG. 6

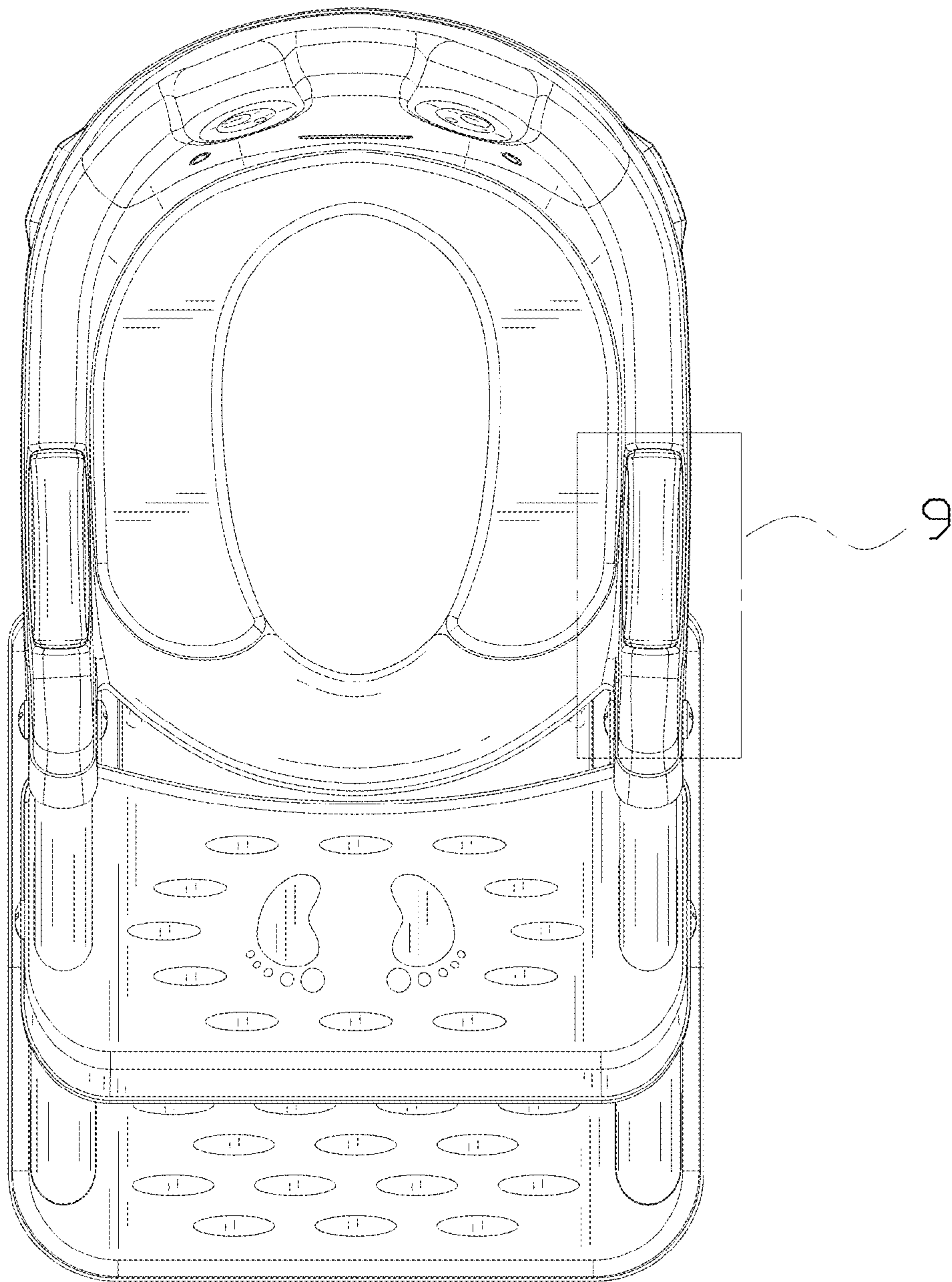


FIG. 7

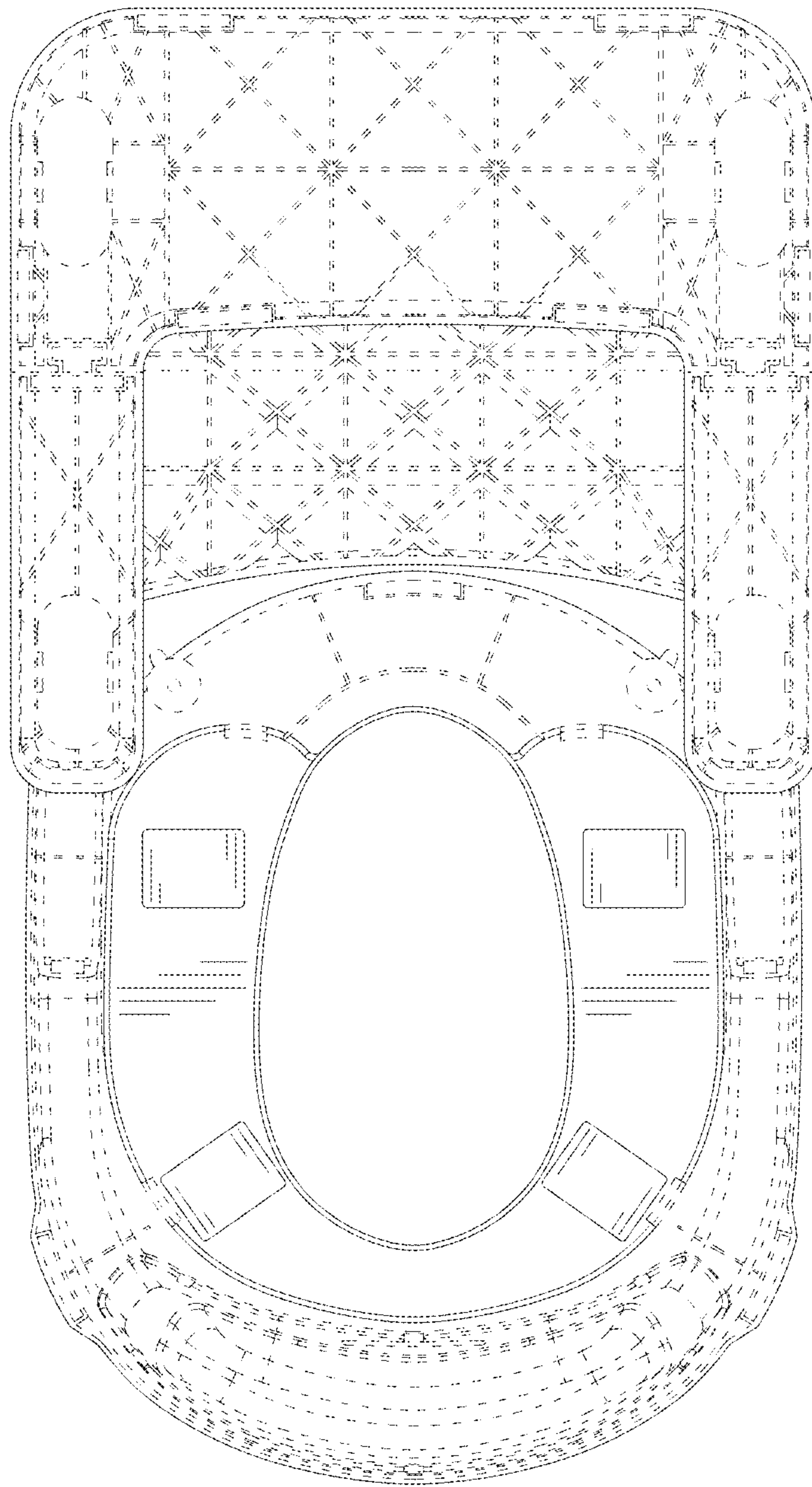


FIG. 8

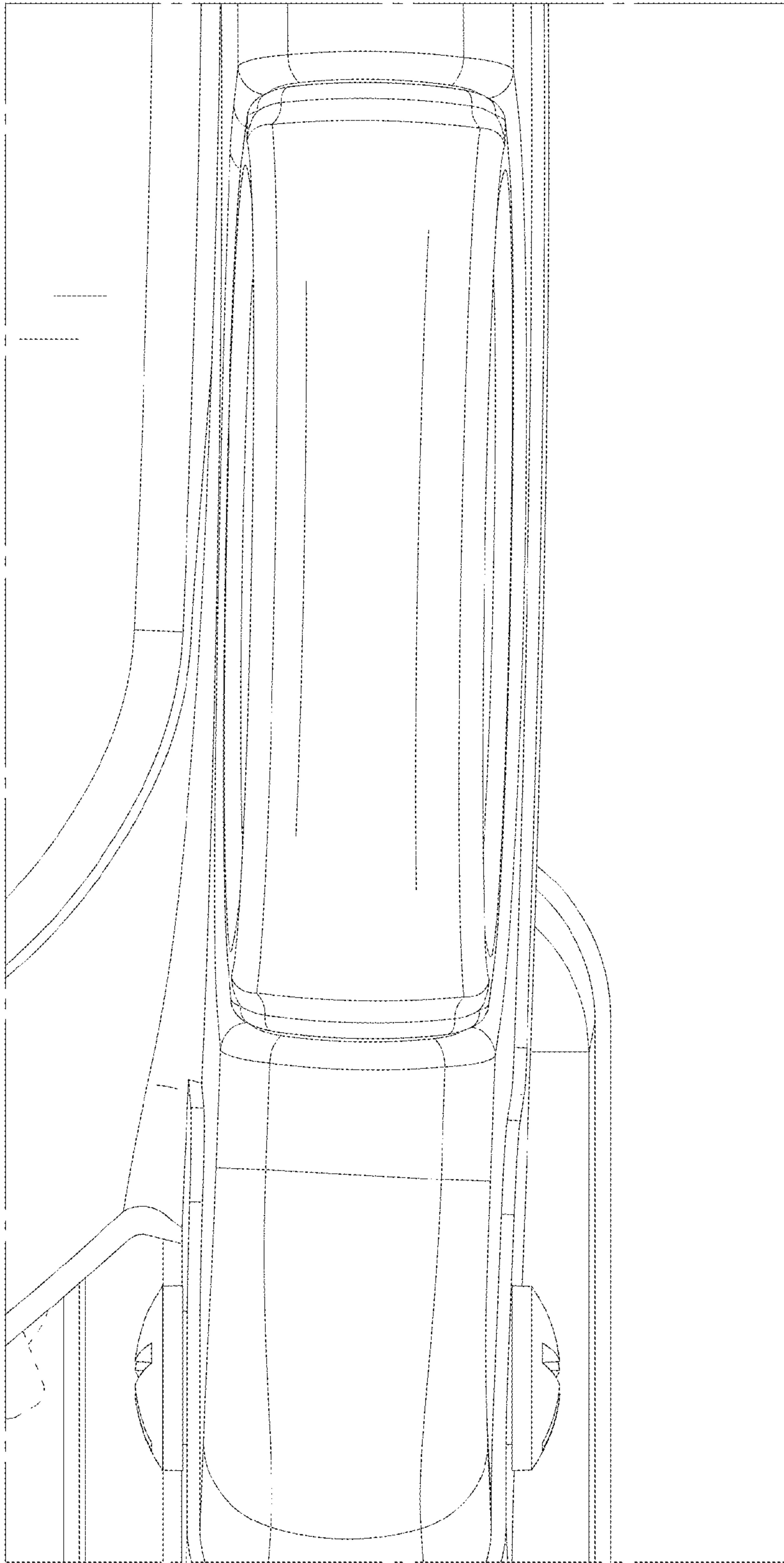


FIG. 9