



US00D984603S

(12) **United States Design Patent** (10) **Patent No.:** **US D984,603 S**
Chen (45) **Date of Patent:** **** Apr. 25, 2023**

(54) **TOILET SEAT FOR CHILDREN**

OTHER PUBLICATIONS

(71) Applicant: **Yanguo Chen**, Taizhou (CN)

Fedicelly Potty Training Seat Toddlers Kids,Potty Training Toilet Potty Seat: <https://www.amazon.com/dp/B09GJGJK12?th=1> (Year: 2022).*

(72) Inventor: **Yanguo Chen**, Taizhou (CN)

Babevy Toddler Potty Training Seat with Ladder, Upgraded Triangle Design Toddler Toilet Seat for Kids, https://www.amazon.com/dp/B0BJV22BS6/ref=sspa_dk_detail_3?pd_rd_i=B0BJV22BS6&pd_rd_w=ZAxIn&content-id=amzn1.sym.dd2c6db7-6626-466d-bf04-9570e69a7df0&pf_rd_r=0RGZF319VNB2B9GDY9GH&pd_rd_wg=RQH3H&pd_rd_r=8e1bde50-16d8-4d89-865b-2c1112d41b9f&s=hi&sp_csd=d2lkZ2V0.*

(**) Term: **15 Years**

(21) Appl. No.: **29/862,538**

(22) Filed: **Dec. 9, 2022**

(51) **LOC (14) Cl.** **23-02**

(52) **U.S. Cl.**
USPC **D23/296**

(58) **Field of Classification Search**
USPC D23/296, 309, 311; D6/339, 259,
D6/708.19; D25/63-64, 69
See application file for complete search history.

* cited by examiner

Primary Examiner — Robert A Delehanty

(57) **CLAIM**

The ornamental design for a toilet seat for children, as shown and described.

(56) **References Cited**

DESCRIPTION

U.S. PATENT DOCUMENTS

| | | | |
|----------------|---------|------------------|---------------------|
| D276,361 S * | 11/1984 | Hyman, Sr. | D23/297 |
| D284,023 S | 5/1986 | Lipski | |
| D307,629 S | 5/1990 | Takahashi et al. | |
| D310,869 S | 9/1990 | Sedlack | |
| D326,316 S * | 5/1992 | Zhang | D23/312 |
| D343,891 S * | 2/1994 | Kessler | D23/297 |
| D486,000 S * | 2/2004 | Bourget | D6/359 |
| 6,829,788 B1 * | 12/2004 | Allen | A47K 11/06 4/483 |
| D501,683 S * | 2/2005 | Hernandez | D6/350 |
| D570,461 S | 6/2008 | Desnos-simon | |
| D618,321 S | 6/2010 | Yeung | |
| D879,926 S * | 3/2020 | Hu | D23/309 |
| D904,584 S * | 12/2020 | Stroikov | D23/296 |
| D918,354 S * | 5/2021 | Xu | D23/296 |
| D976,375 S * | 1/2023 | Jin | D23/296 |
| D976,376 S * | 1/2023 | Jin | D23/296 |

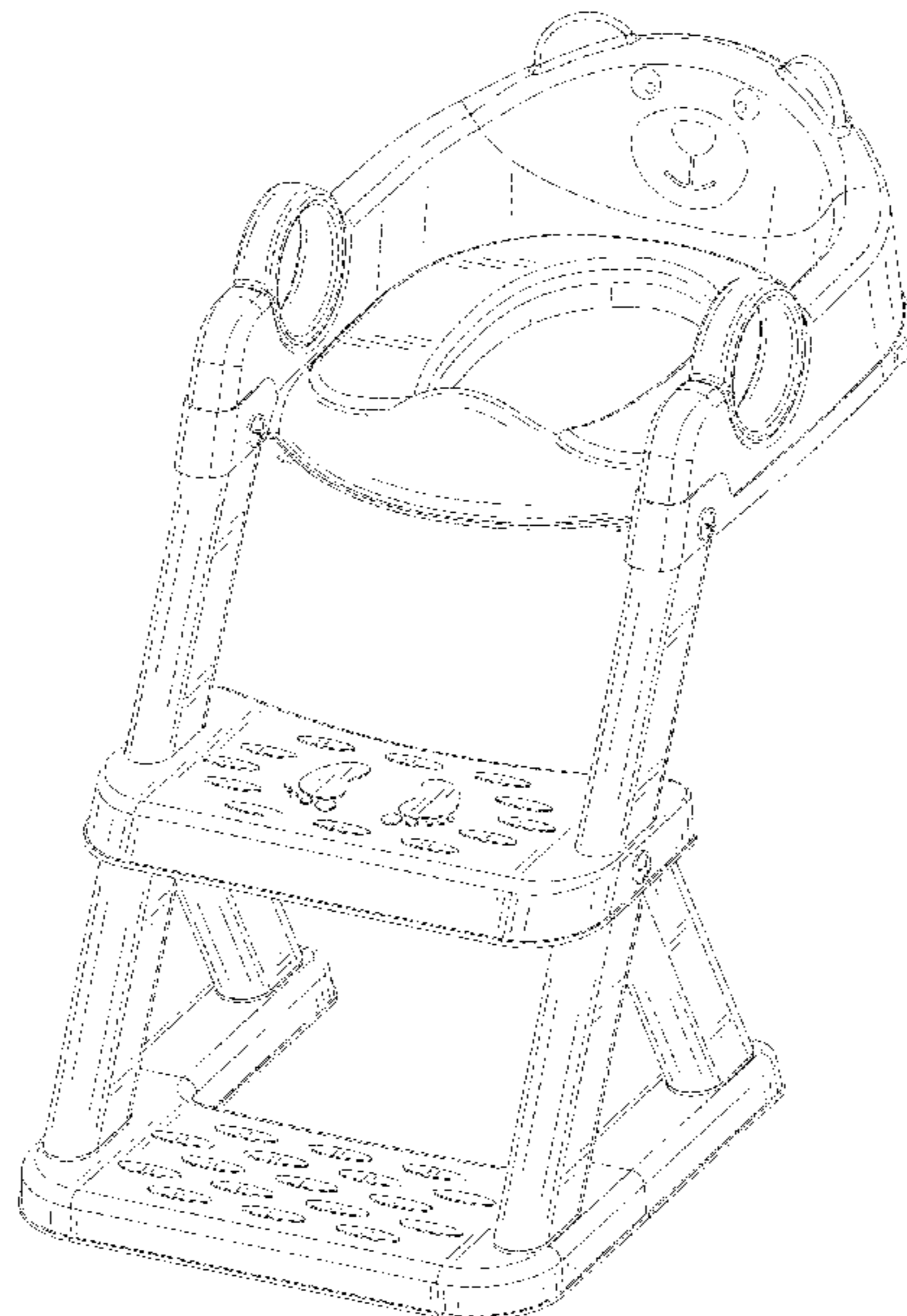
FIG. 1 is a front, right, and top perspective view of a toilet seat for children, showing my new design; FIG. 2 is a front, right, and bottom perspective view thereof; FIG. 3 is a front elevational view thereof; FIG. 4 is a rear elevational view thereof; FIG. 5 is a left elevational view thereof; FIG. 6 is a right elevational view thereof; FIG. 7 is a top plan view thereof; FIG. 8 is a bottom plan view thereof; and, FIG. 9 is an enlarged view of the delineated region 9 in FIG. 7.

The dash broken lines depict portions of the toilet seat for children that form no part of the claimed design. The long dash-short dash broken lines in FIGS. 7 and 9 form no part of the claimed design and delineate portions of the claimed design that are shown on an enlarged scale in FIG. 9.

FOREIGN PATENT DOCUMENTS

WO WO-2015142413 A1 * 9/2015 A47K 11/04

1 Claim, 9 Drawing Sheets



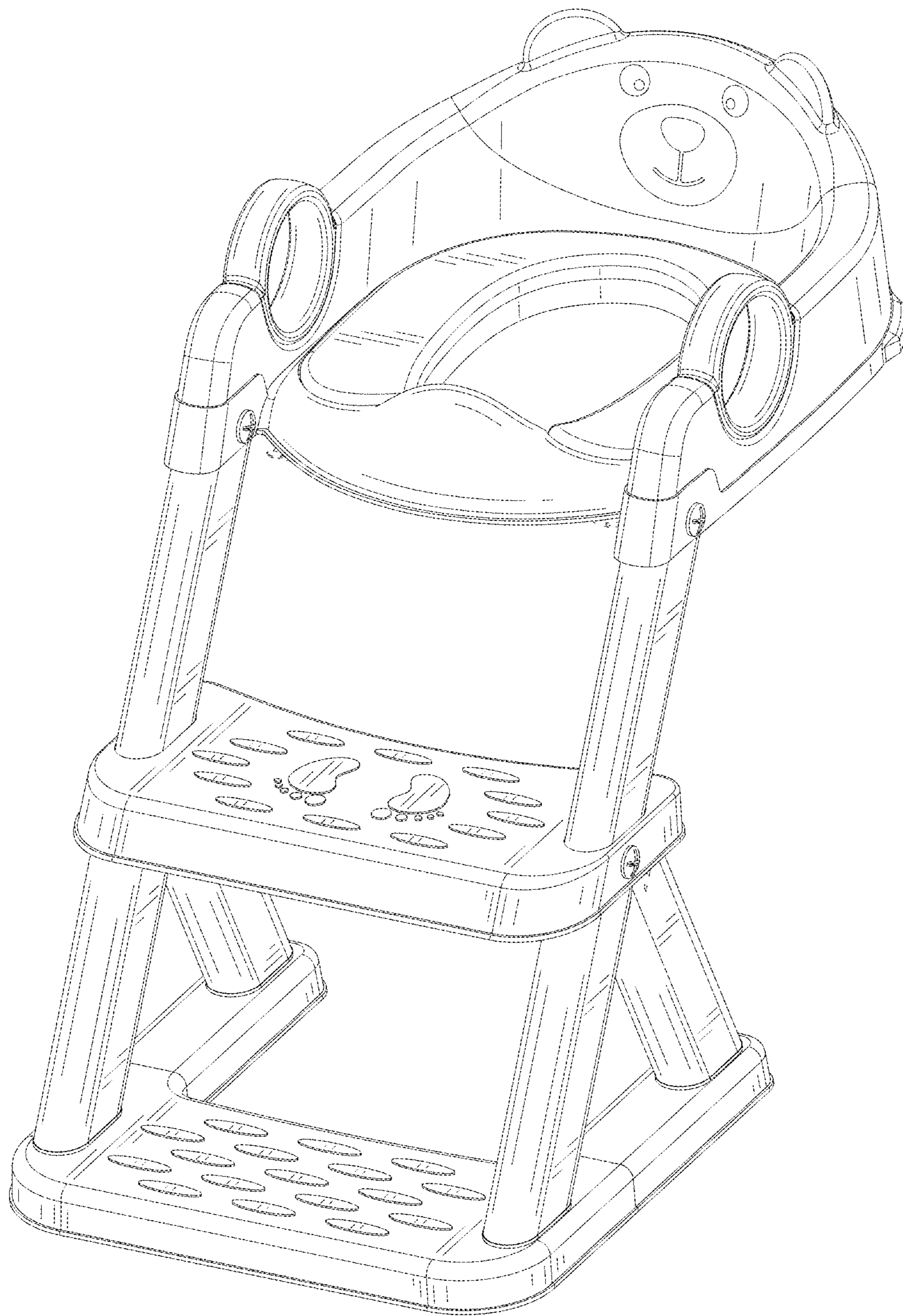


FIG. 1

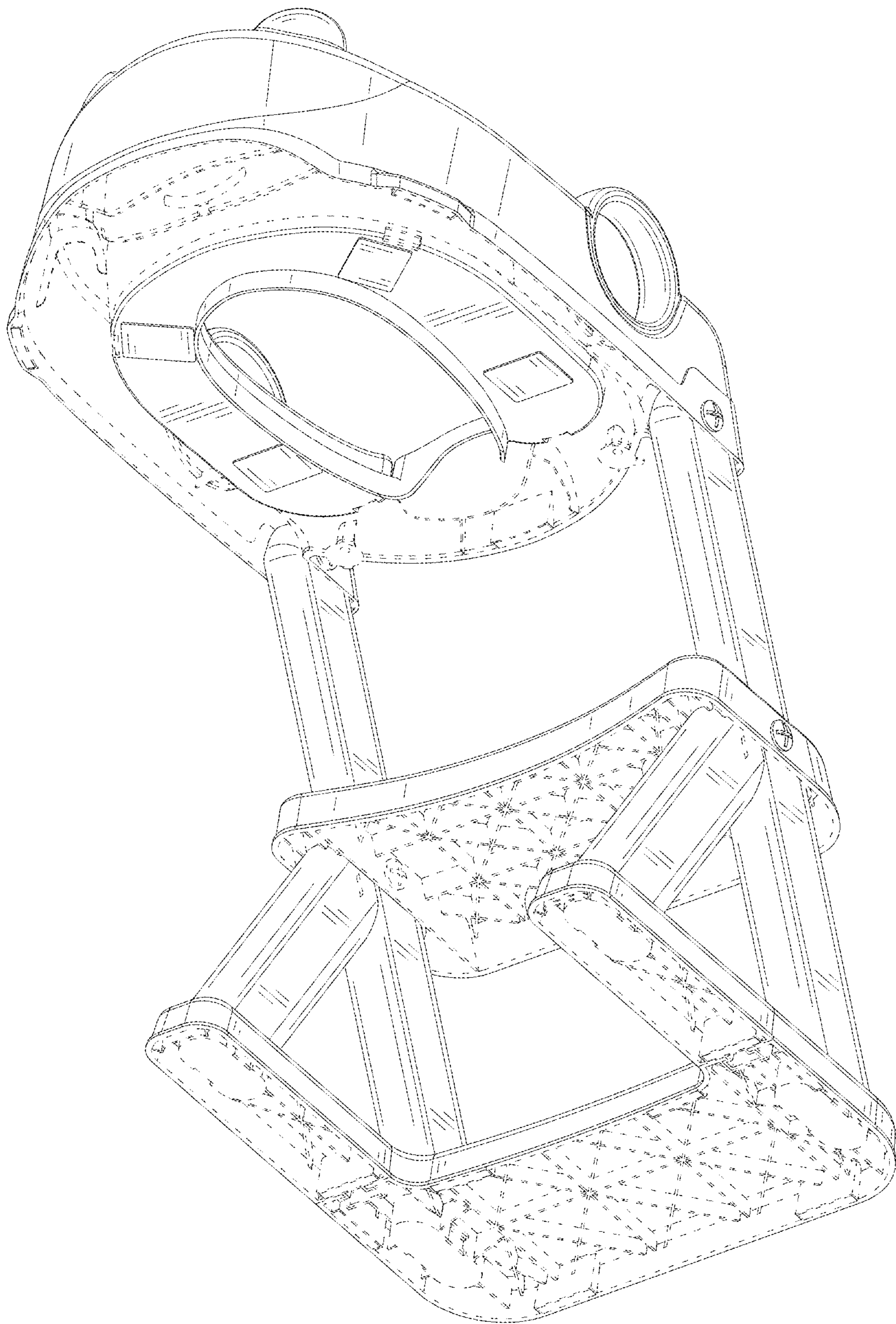


FIG. 2

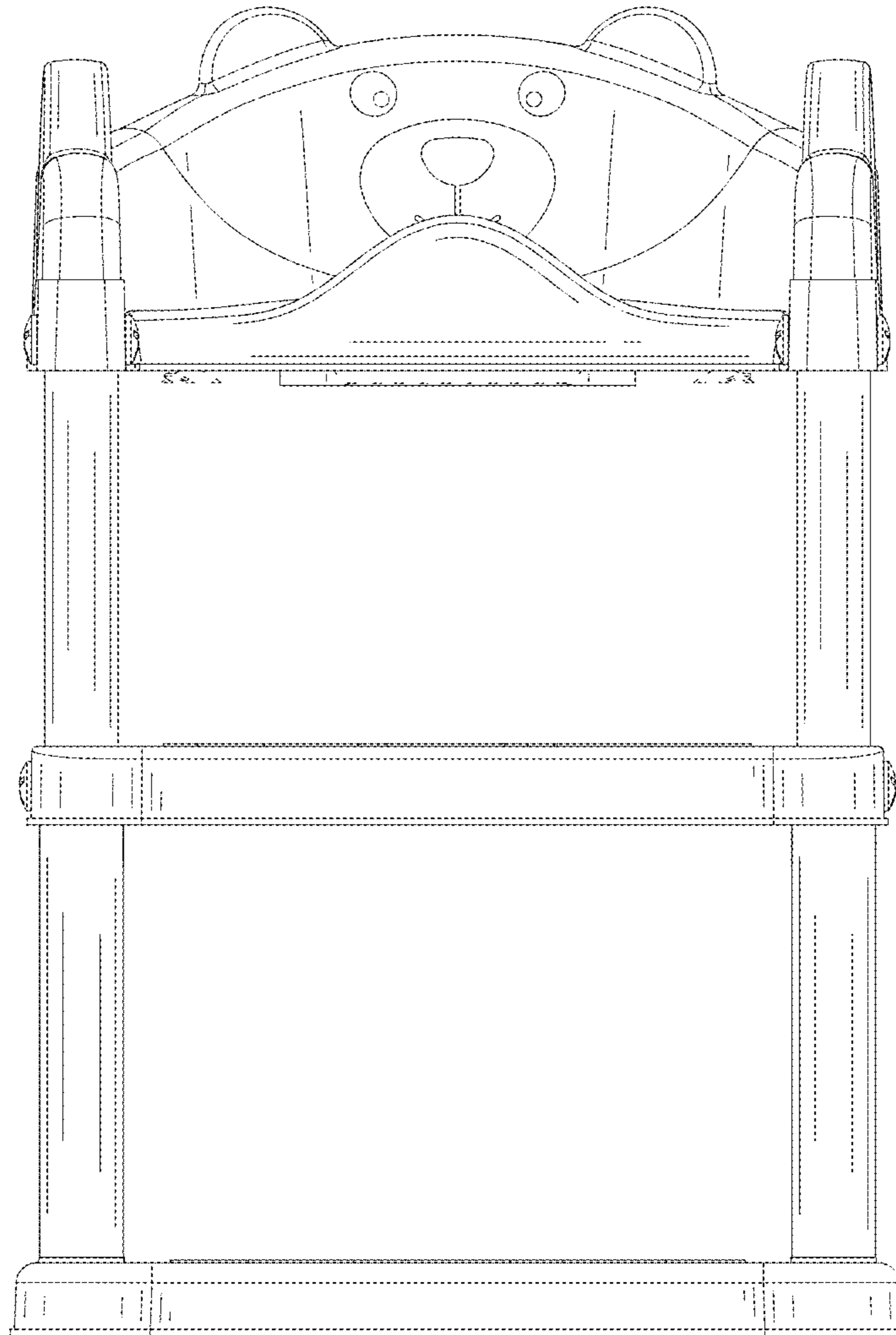


FIG. 3

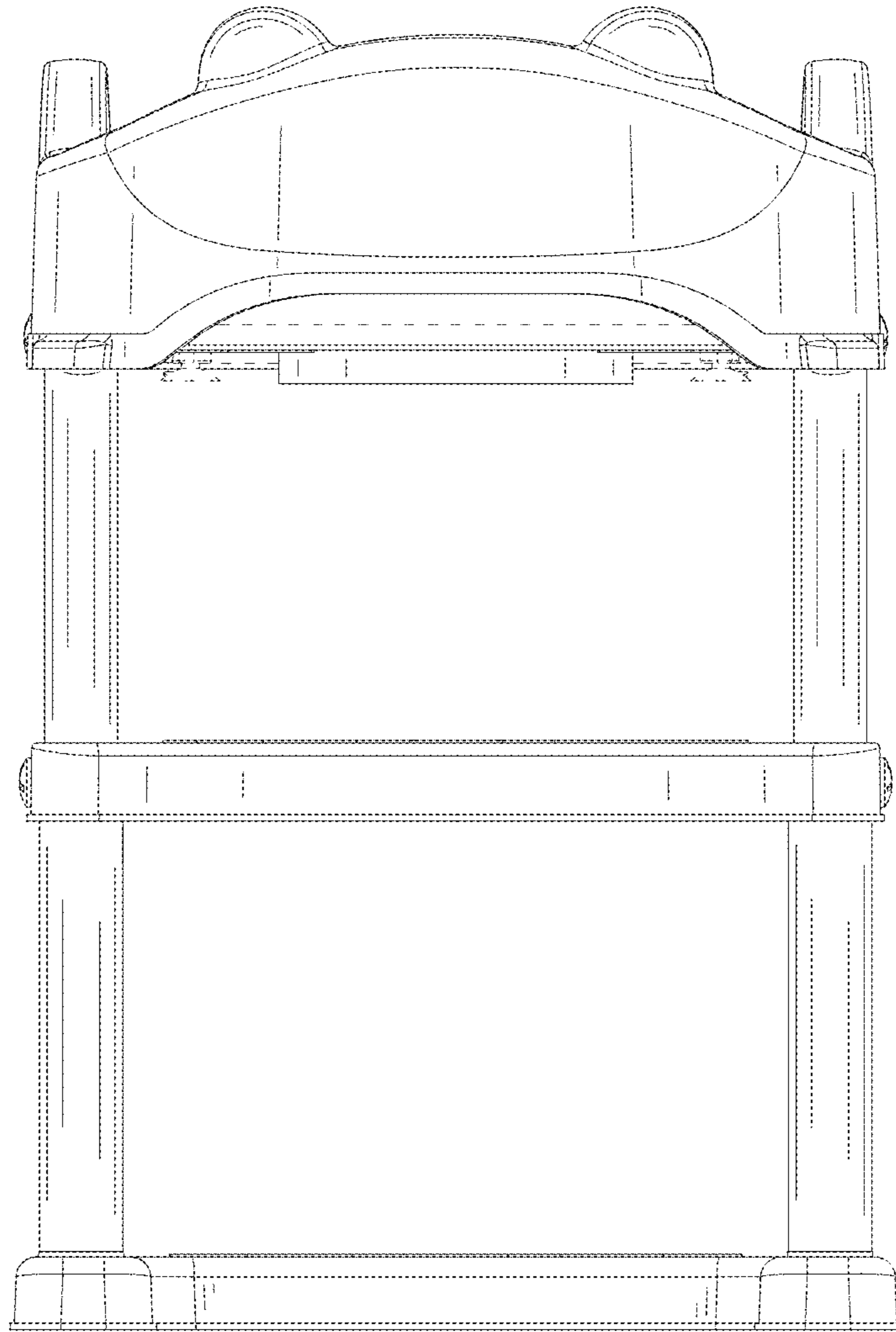


FIG. 4

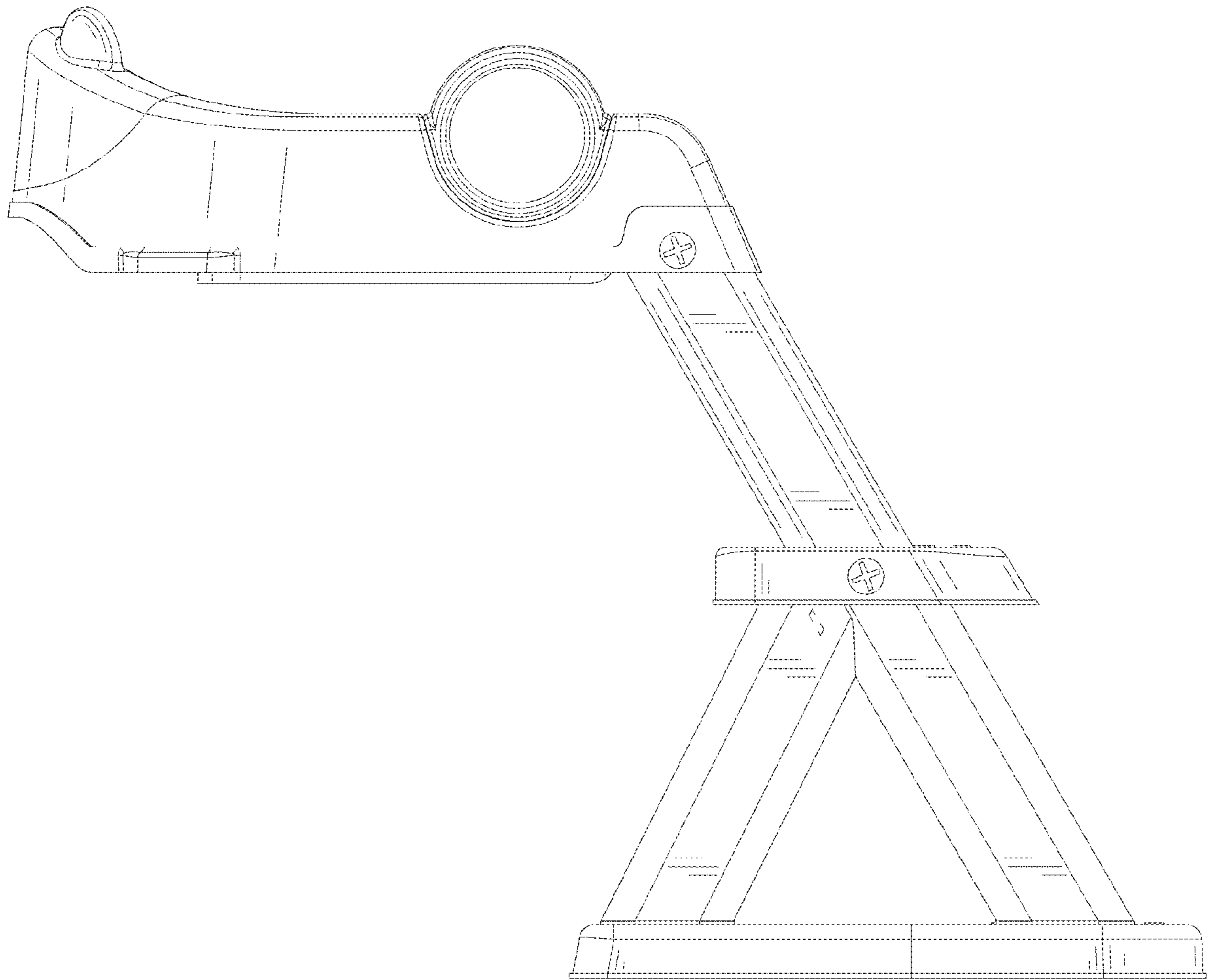


FIG. 5

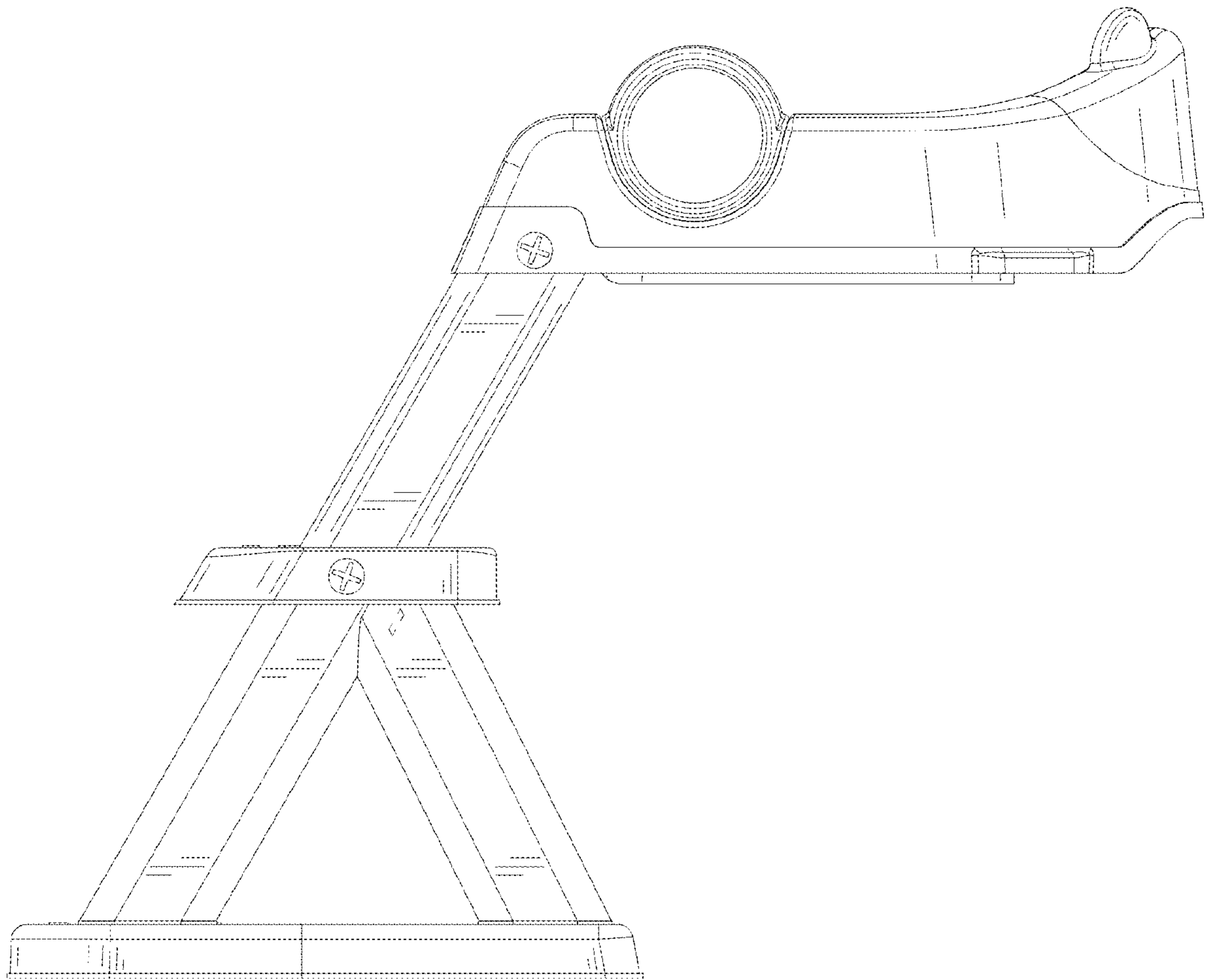


FIG. 6

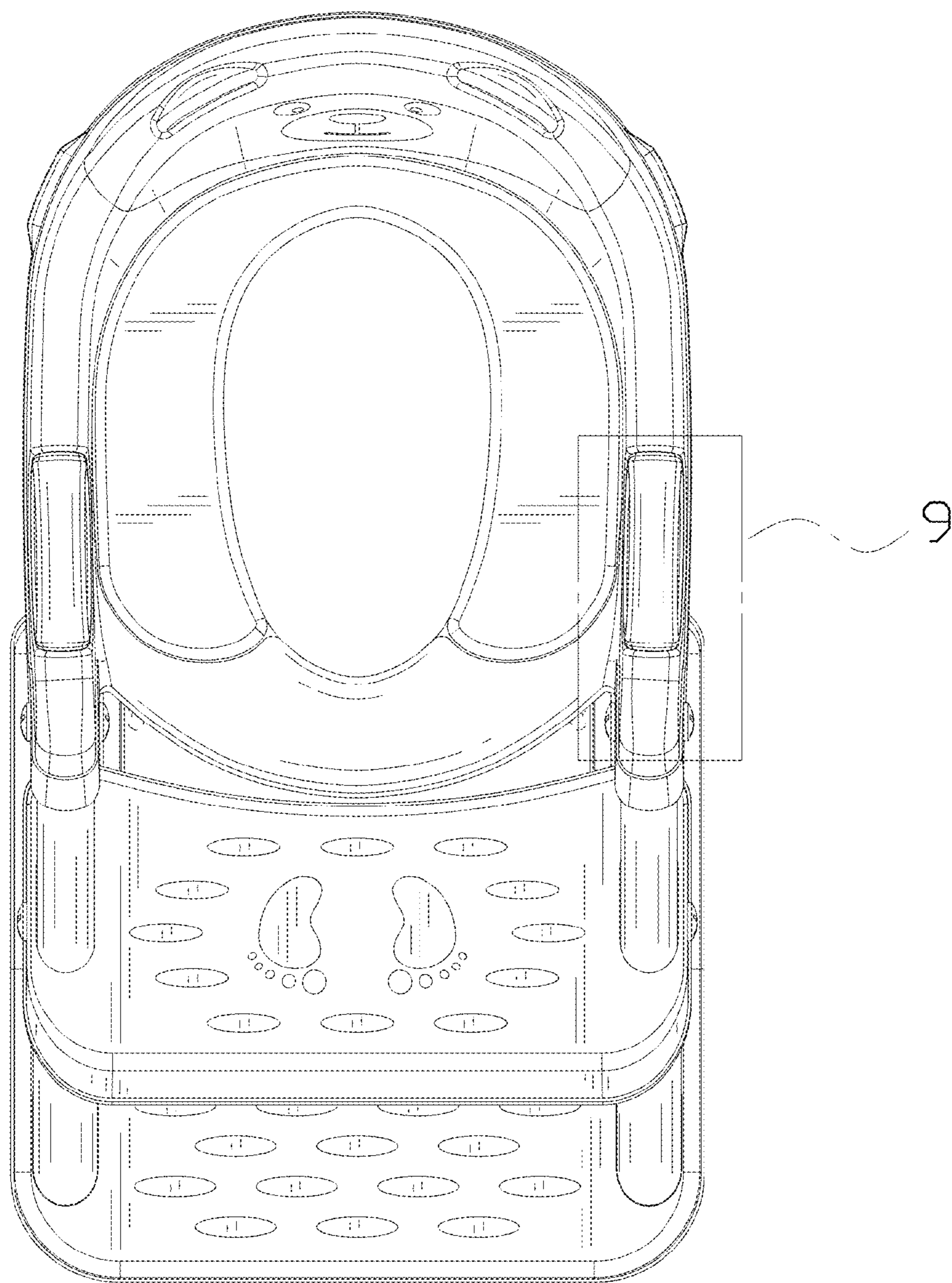


FIG. 7

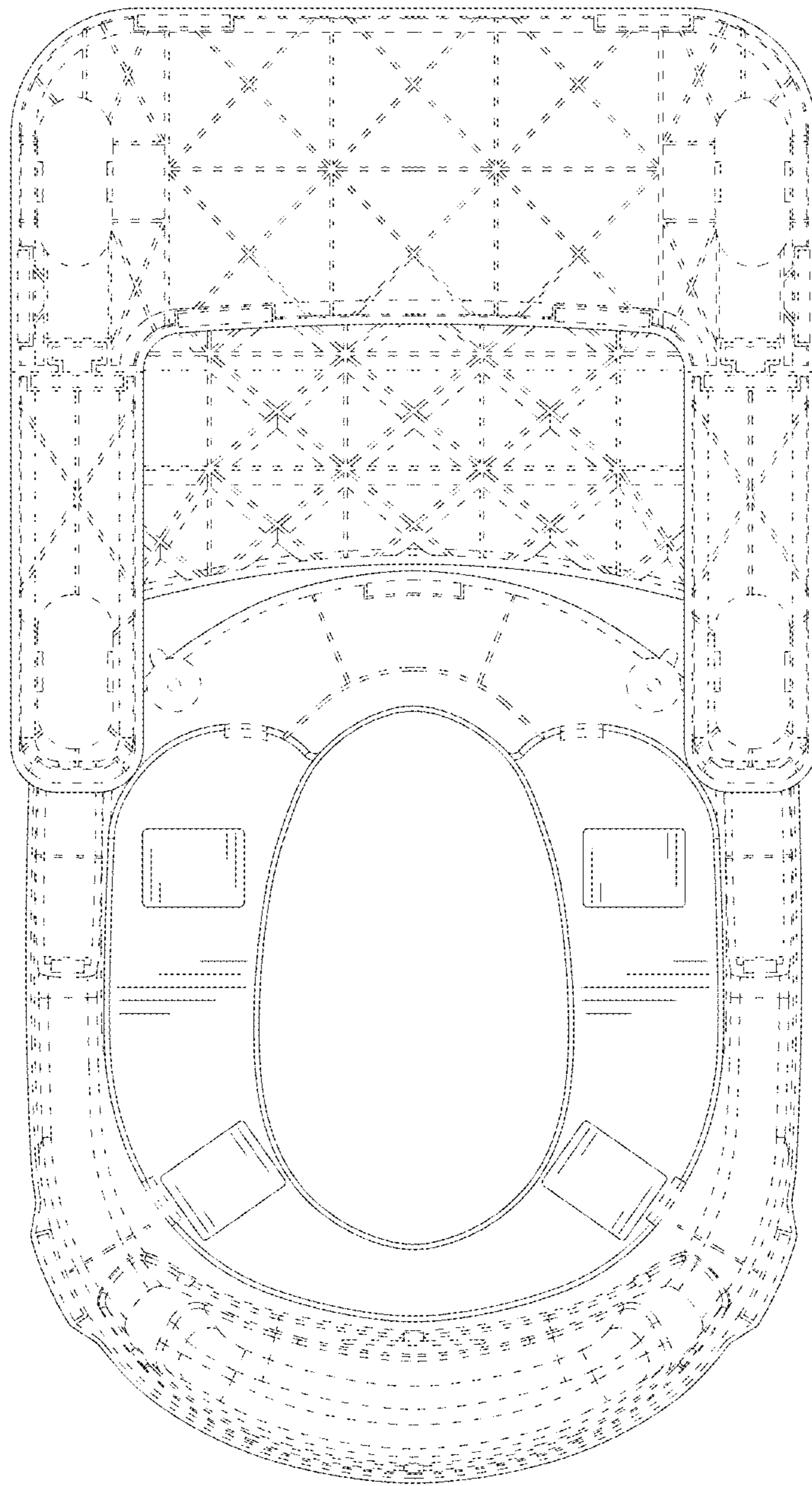


FIG. 8

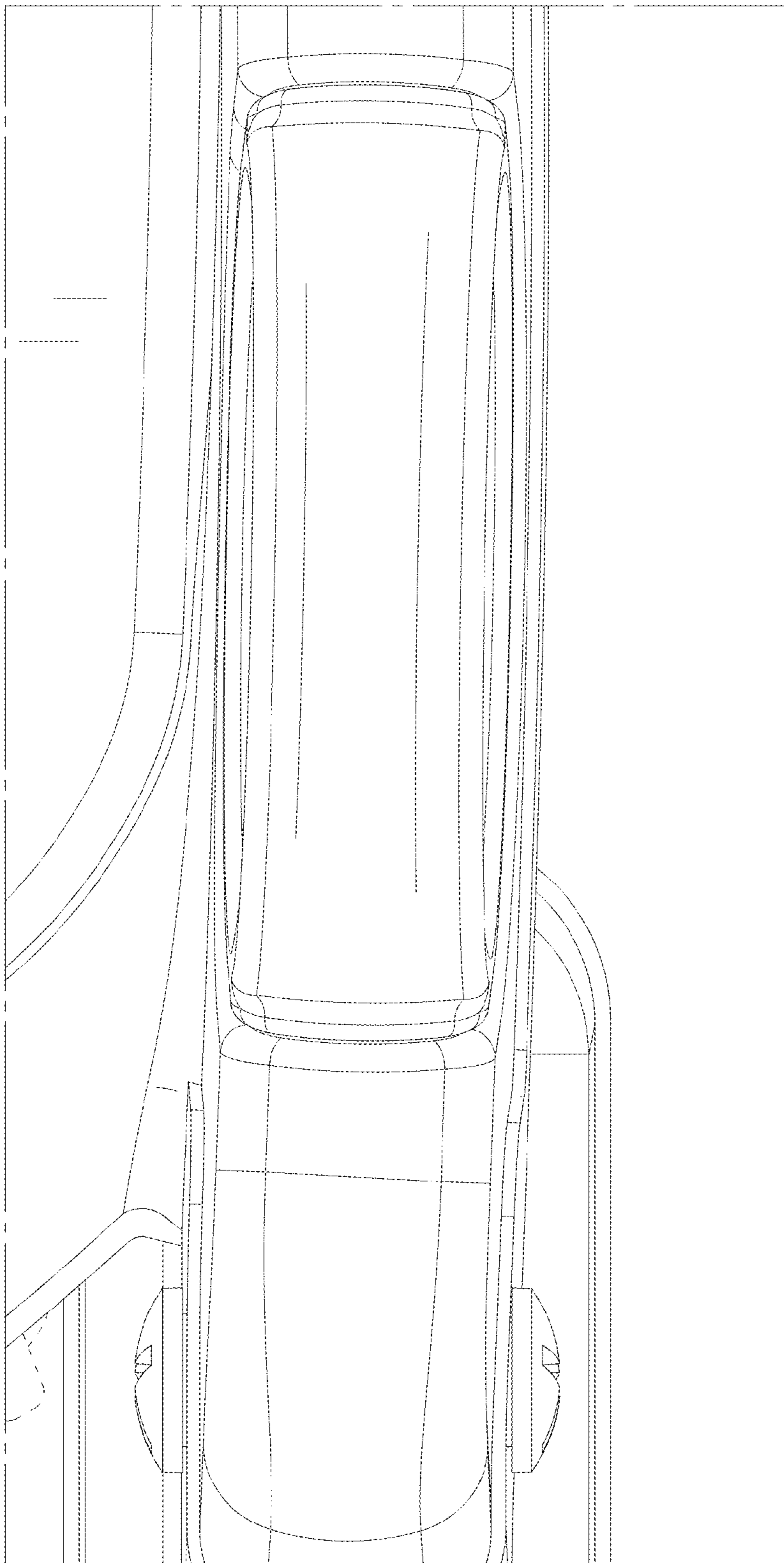


FIG. 9