



US00D984601S

(12) **United States Design Patent**
Zhang

(10) **Patent No.:** **US D984,601 S**
(45) **Date of Patent:** **** Apr. 25, 2023**

- (54) **SINK**
- (71) Applicant: **Cheng Zhang**, Shenzhen (CN)
- (72) Inventor: **Cheng Zhang**, Shenzhen (CN)
- (**) Term: **15 Years**
- (21) Appl. No.: **29/883,183**
- (22) Filed: **Jan. 25, 2023**
- (51) **LOC (14) Cl.** **23-02**
- (52) **U.S. Cl.**
USPC **D23/286**
- (58) **Field of Classification Search**
USPC D23/284, 286–287, 290–291, 293.1, 308,
D23/272–274; D6/672, 675, 675.1,
D6/675.2, 682, 682.1, 698, 699, 699.1
See application file for complete search history.

- D961,741 S 8/2022 Kuch et al.
- D967,360 S 10/2022 Grybush et al.
- D968,137 S * 11/2022 Lin D6/675.2
- D970,704 S * 11/2022 Zhang D23/286

OTHER PUBLICATIONS

Transolid 25-inx22-in 1-Basin Stainless Steel Freestanding Laundry Sink: <https://www.lowes.com/pd/Transolid-Transolid-TFH-2522-SS-25-in-Stainless-Steel-Laundry-Sink-with-Wash-Stand-in-Brushed-Satin/5002004661> (Year: 2021).*

* cited by examiner

Primary Examiner — Robert A Delehanty
(74) *Attorney, Agent, or Firm* — Rumit Ranjit Kanakia

(57) **CLAIM**

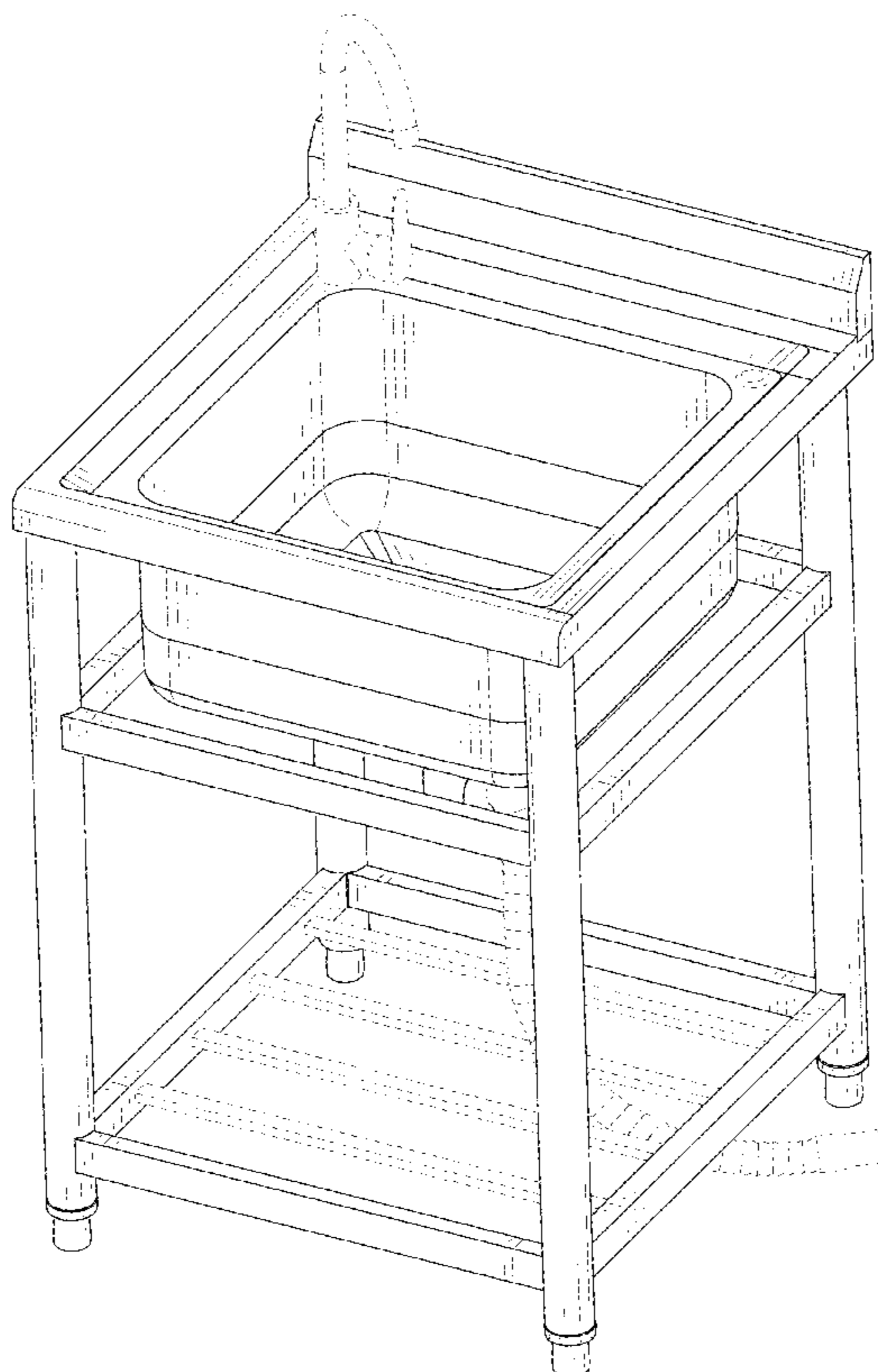
The ornamental design for a sink, as shown and described.

DESCRIPTION

FIG. 1 is a first perspective view of a sink showing my new design;
 FIG. 2 is a second perspective view thereof;
 FIG. 3 is a front view thereof;
 FIG. 4 is a back view thereof;
 FIG. 5 is a left side view thereof;
 FIG. 6 is a right side view thereof;
 FIG. 7 is a top view thereof; and,
 FIG. 8 is a bottom view thereof.
 The broken lines, shown in the drawings depict portions of the sink that form no part of the claimed design.

- (56) **References Cited**
U.S. PATENT DOCUMENTS
- 3,333,282 A * 8/1967 Mustee A47K 3/022
248/188
- 4,720,879 A * 1/1988 Rabban A47L 13/60
4/654
- D553,398 S * 10/2007 LeTourneau D23/286
- D622,082 S * 8/2010 Booth D6/675
- D703,467 S * 4/2014 Ho D6/675.1
- D728,762 S * 5/2015 Mayer D23/286
- D914,167 S * 3/2021 Parisio D23/286
- D948,005 S * 4/2022 Zhang D23/286
- D959,621 S 8/2022 Starck

1 Claim, 8 Drawing Sheets



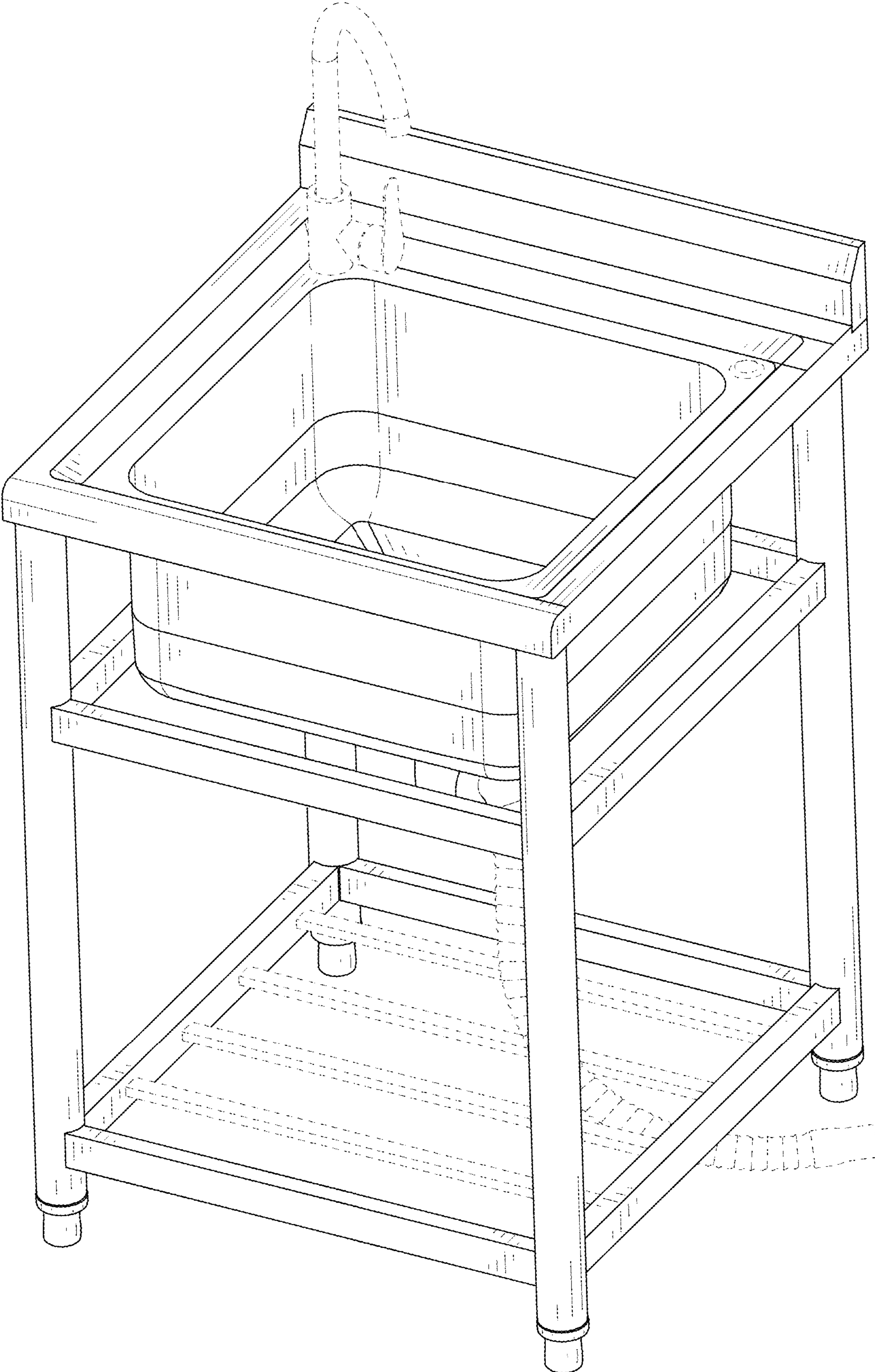


FIG. 1

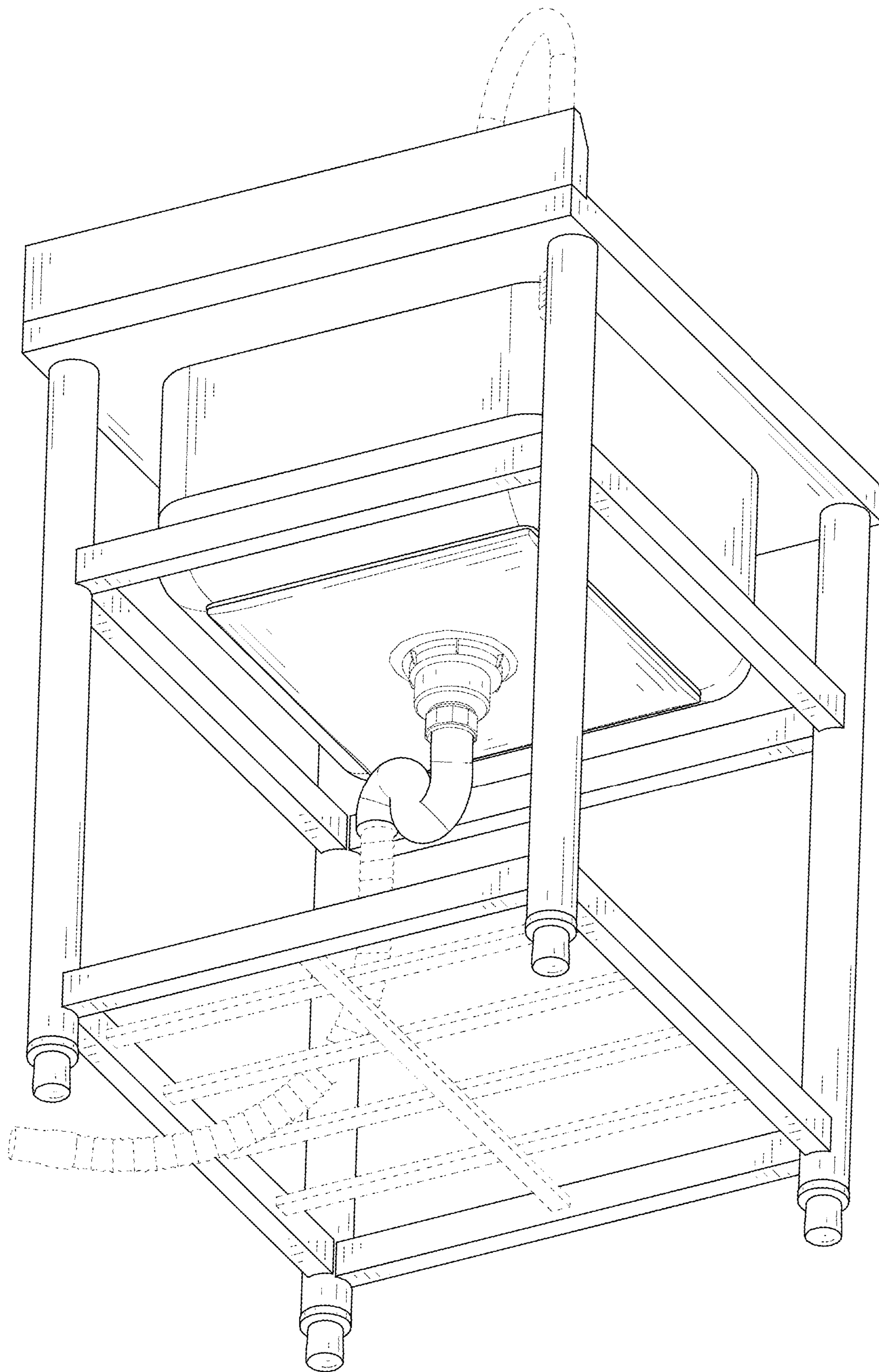


FIG. 2

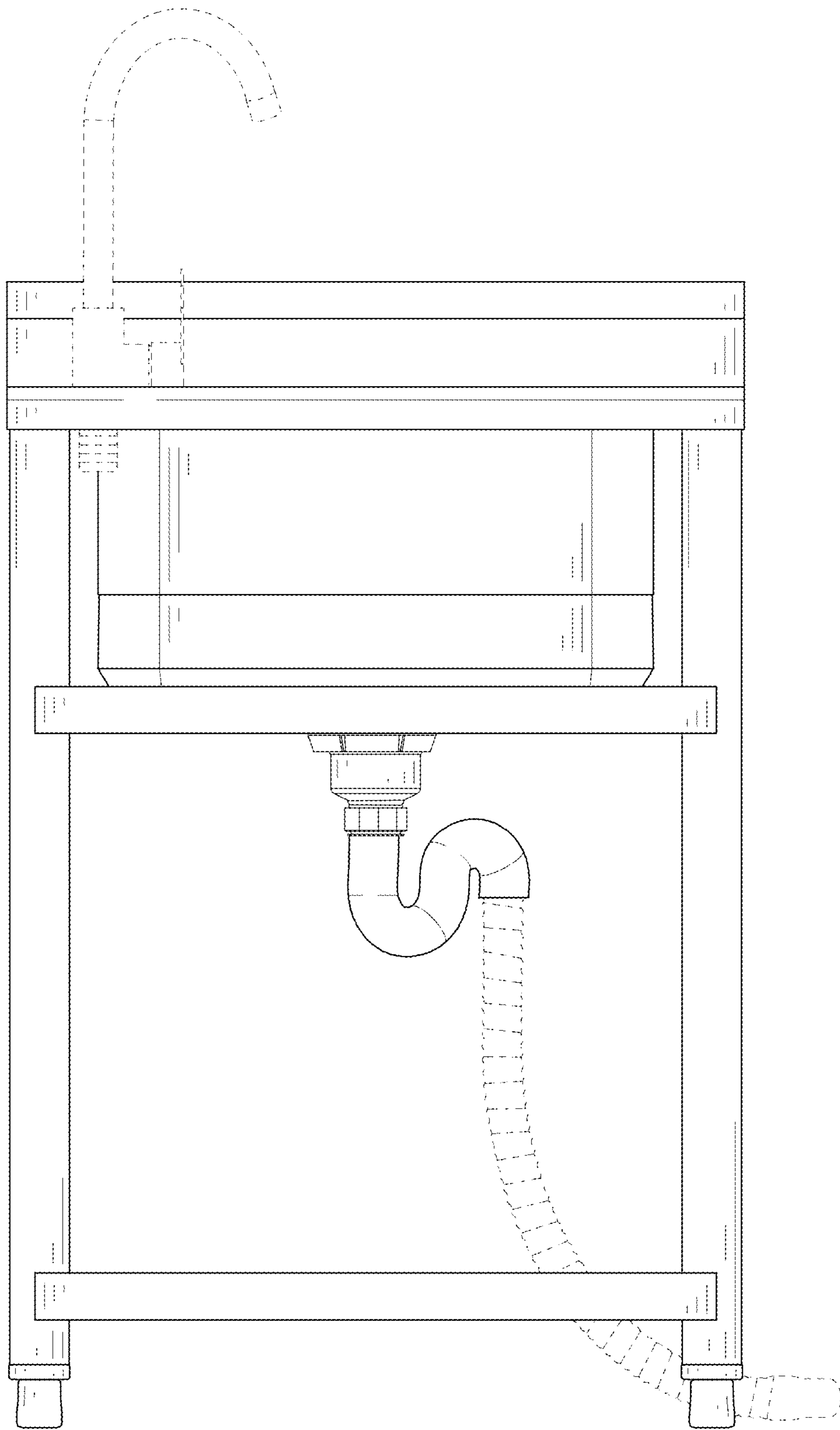


FIG. 3

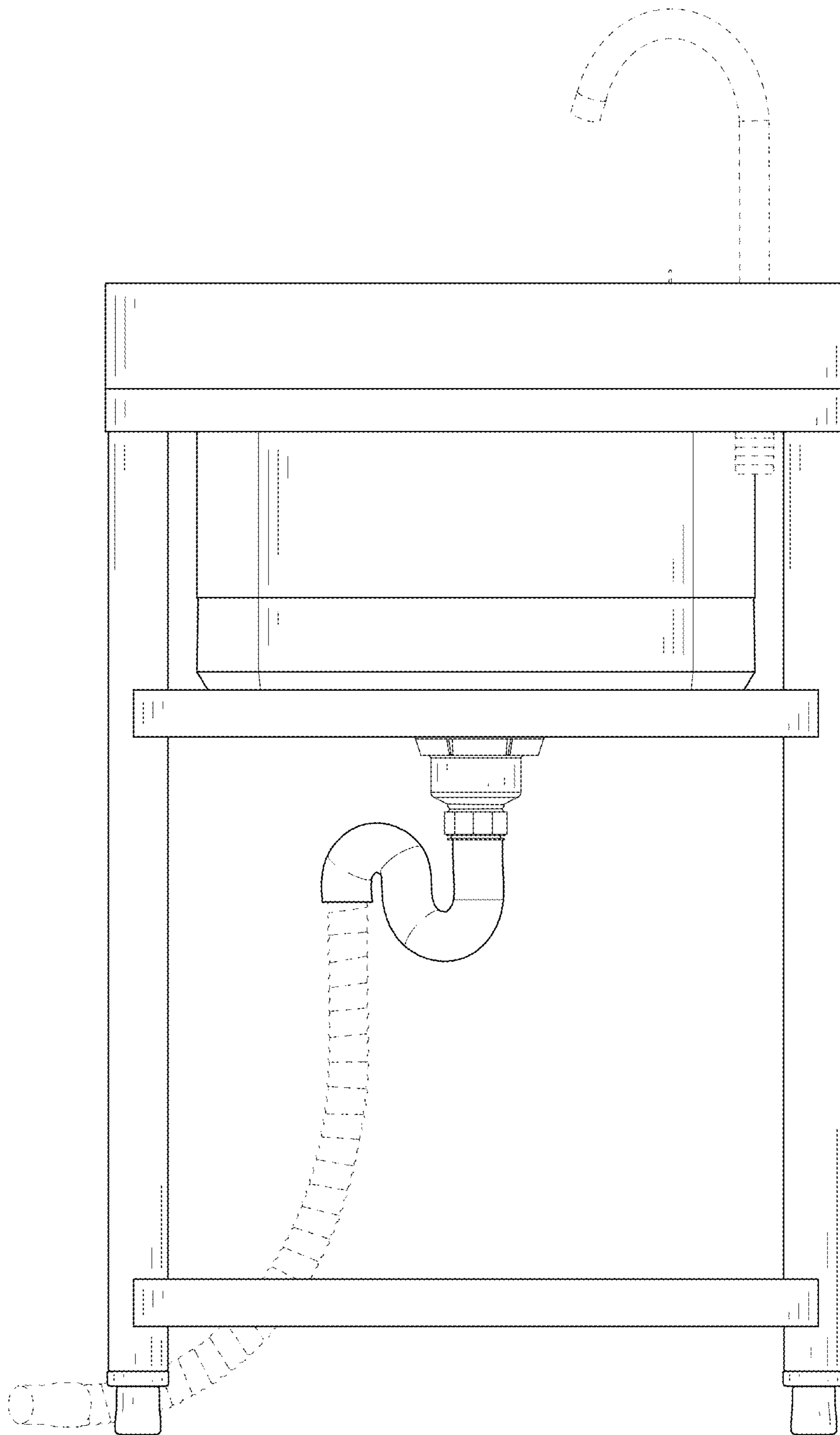


FIG. 4

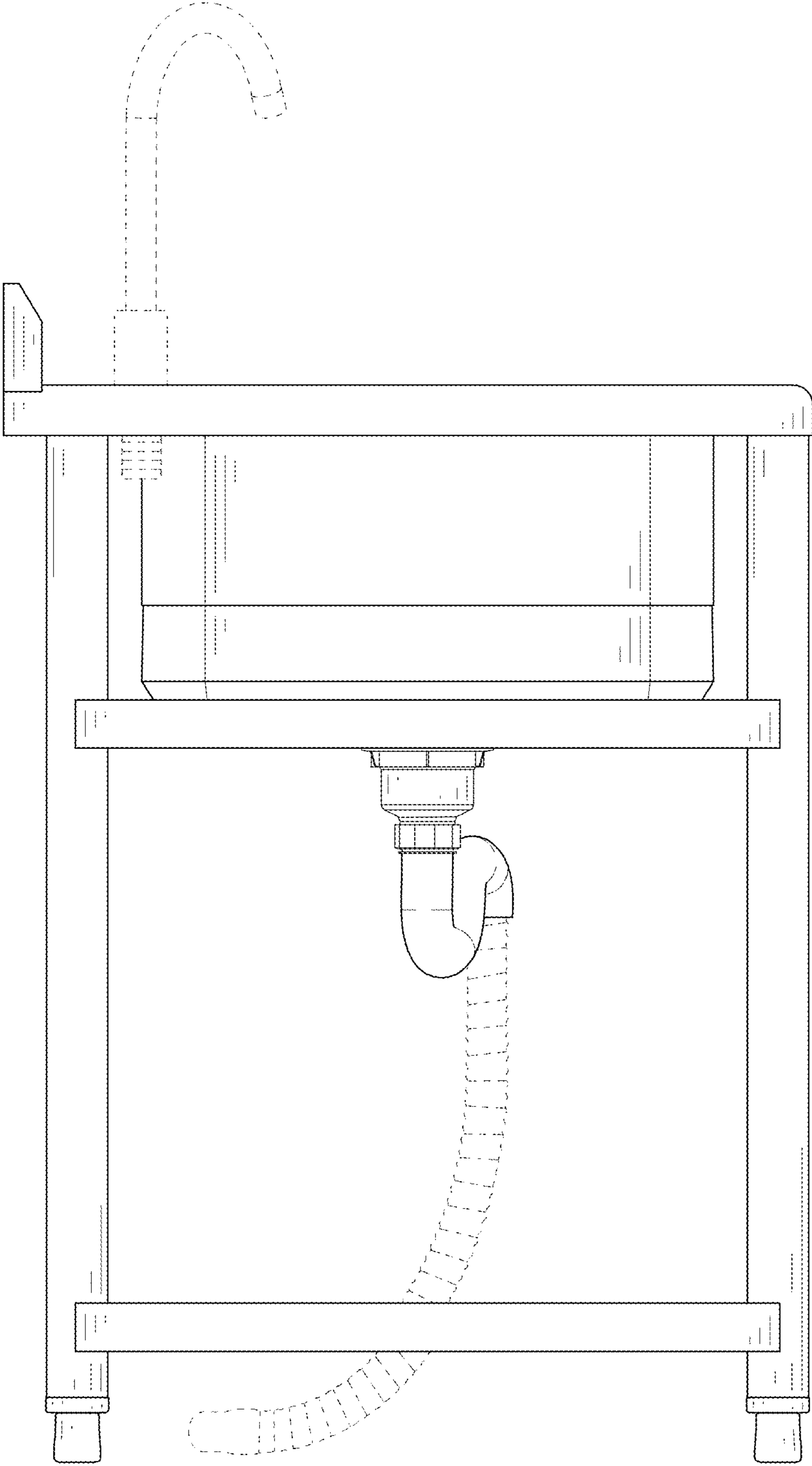


FIG. 5

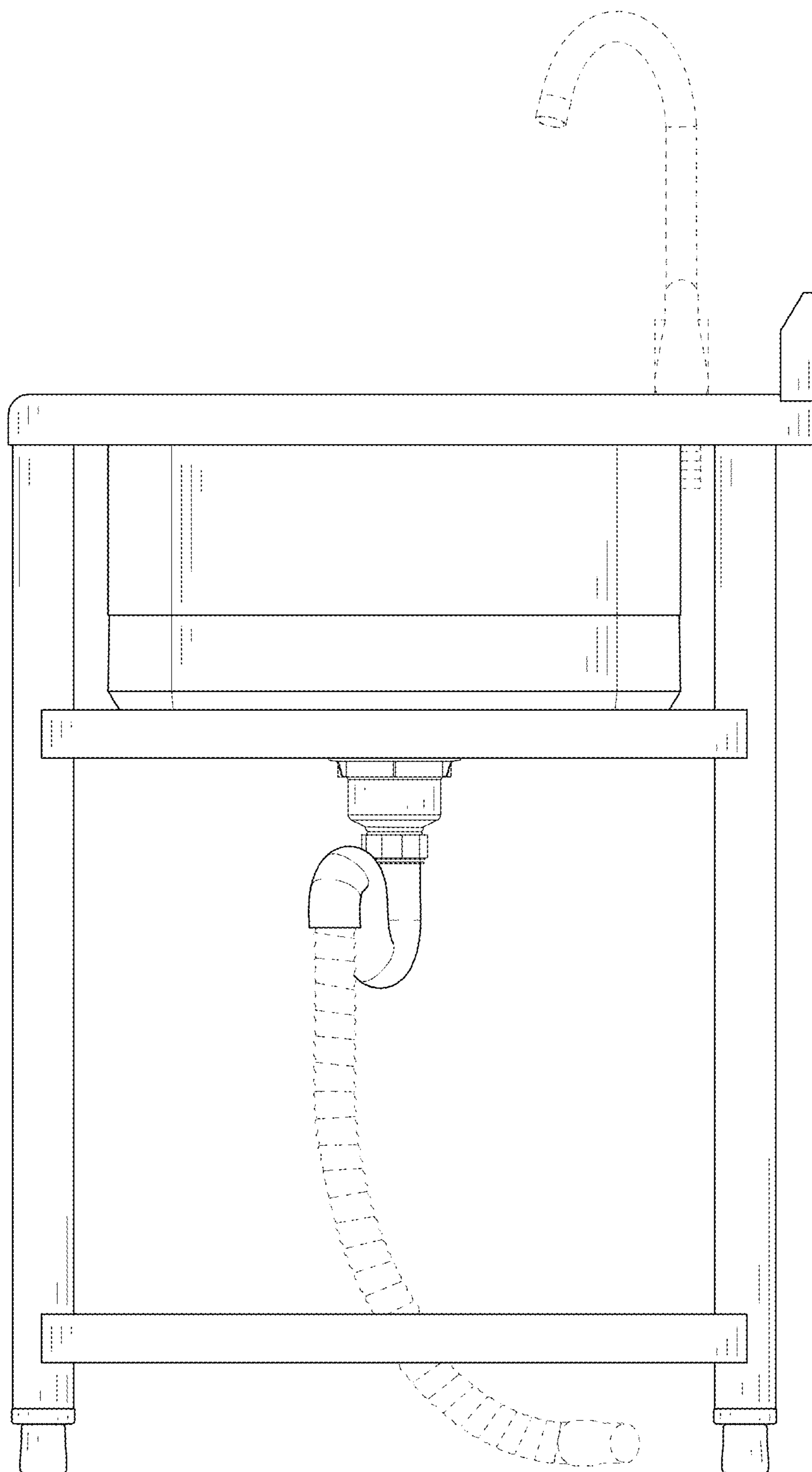


FIG. 6

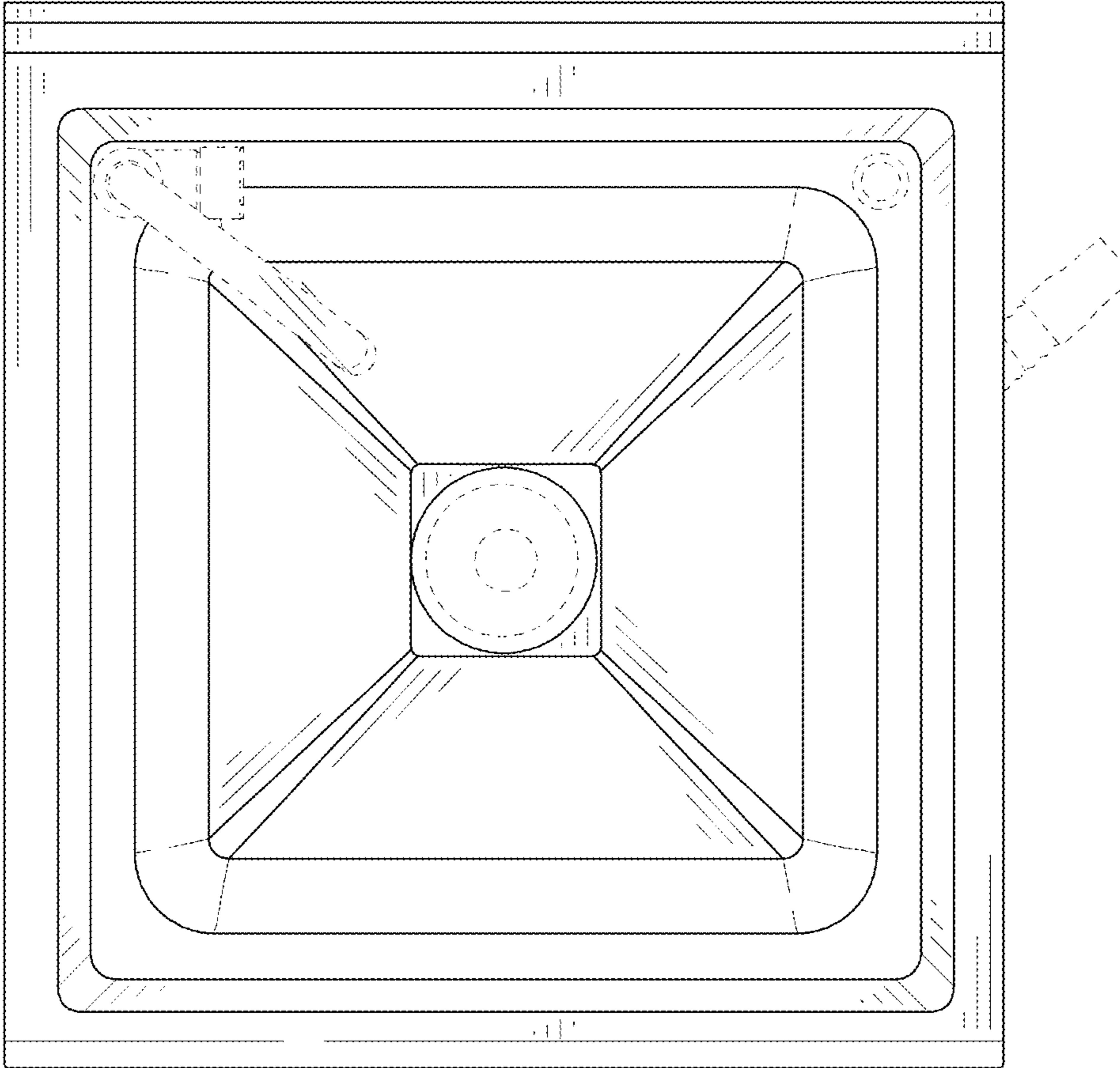


FIG. 7

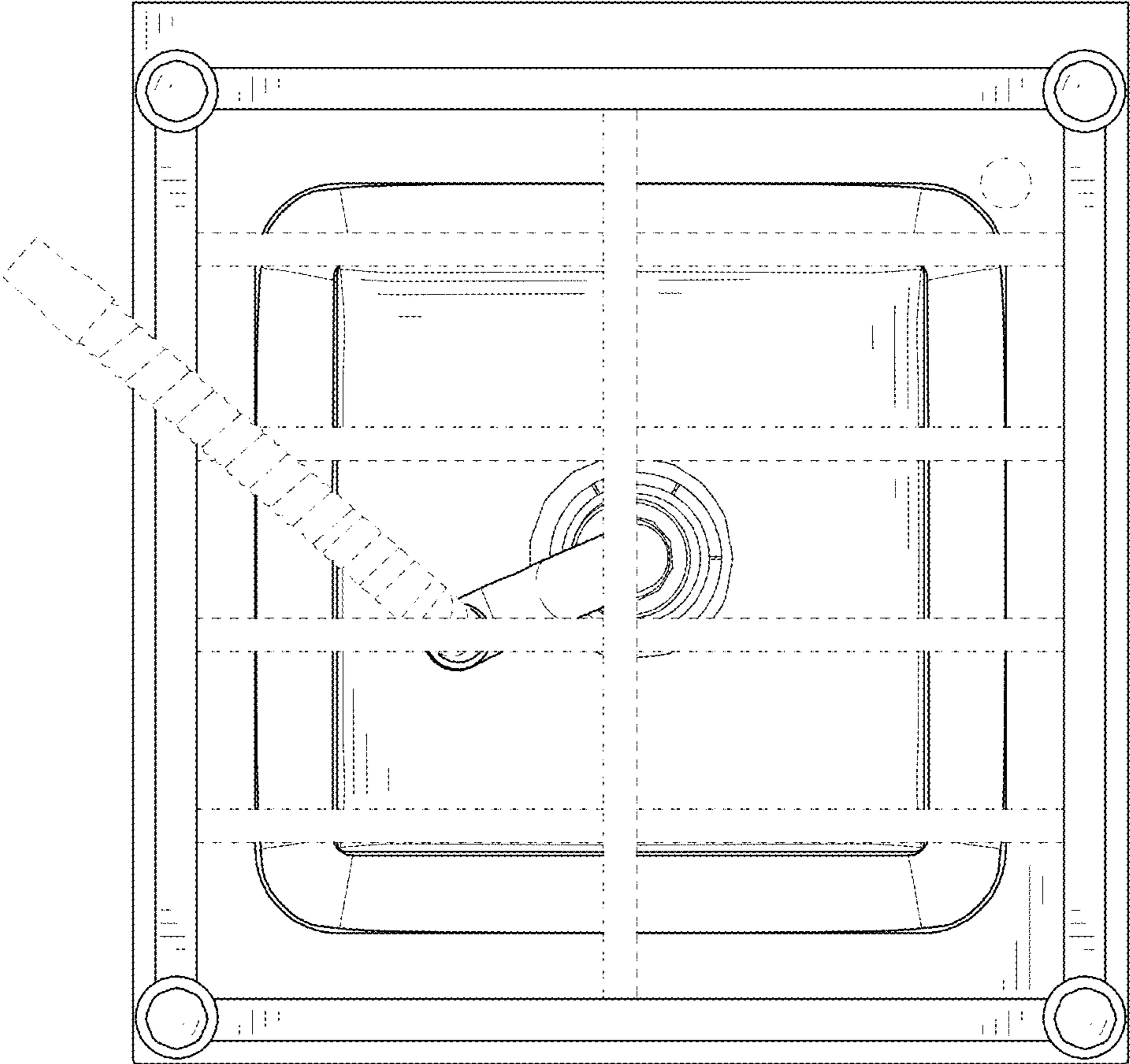


FIG. 8