



US00D984598S

(12) **United States Design Patent**
Lee

(10) **Patent No.:** **US D984,598 S**
(45) **Date of Patent:** **** Apr. 25, 2023**

- (54) **GASKET FOR PIPE COUPLING**
- (71) Applicant: **NEW ASIAJOINT Co., Ltd.**, Yeosu-si (KR)
- (72) Inventor: **Sang Heon Lee**, Seoul (KR)
- (73) Assignee: **NEW ASIAJOINT Co., Ltd.**, Yeosu-si (KR)

D888,206 S *	6/2020	Pytlewski	D23/269
D925,709 S *	7/2021	Koike	D23/269
2005/0253383 A1 *	11/2005	Gibb	F16L 21/02 285/112
2008/0007061 A1 *	1/2008	Gibb	F16L 17/04 285/364
2013/0187346 A1 *	7/2013	Beagen, Jr.	F16J 15/025 277/626
2022/0373113 A1 *	11/2022	Lee	F16L 17/025

- (**) Term: **15 Years**
- (21) Appl. No.: **29/734,832**
- (22) Filed: **May 15, 2020**

FOREIGN PATENT DOCUMENTS

KR	300929223.0000	*	11/2017
KR	300950836.0000	*	4/2018
KR	301013332.0000	*	7/2019
TW	148888-0001	*	9/2012

* cited by examiner

- (30) **Foreign Application Priority Data**
Nov. 20, 2019 (KR) 30-2019-0055615
- (51) **LOC (14) Cl.** **23-01**
- (52) **U.S. Cl.**
USPC **D23/269**
- (58) **Field of Classification Search**
USPC D23/259, 262, 269, 322; D15/138;
D13/118; 277/325-355
CPC F16L 21/007; F16L 55/07; F16L 17/025;
F16J 15/025
See application file for complete search history.

Primary Examiner — Amy C Wierenga
(74) *Attorney, Agent, or Firm* — Emerson Thomson
Bennett; Daniel A. Thomson

(57) **CLAIM**

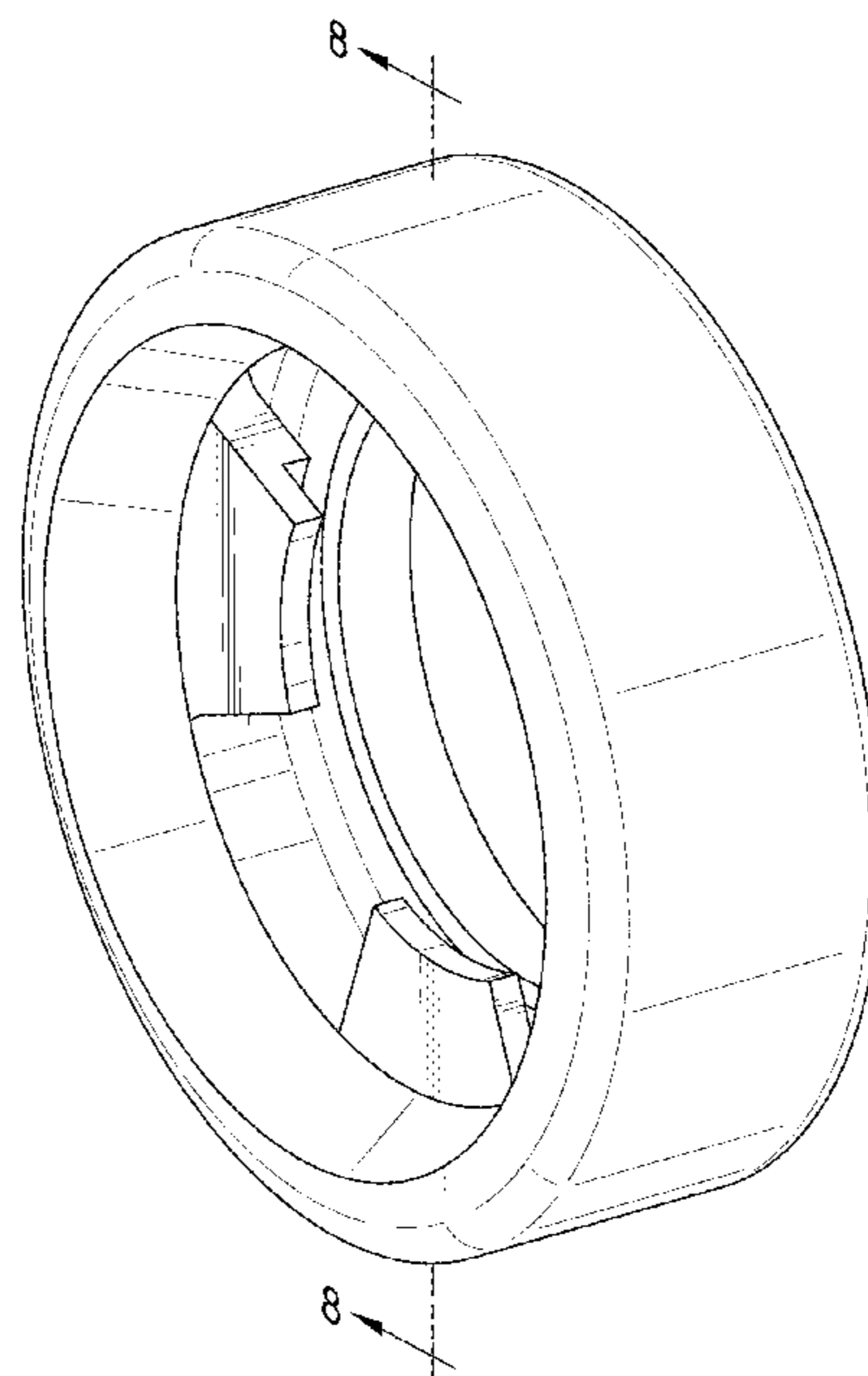
The ornamental design for a gasket for pipe coupling, as shown and described.

DESCRIPTION

FIG. 1 is a perspective view of a gasket for pipe coupling;
FIG. 2 is a front view thereof;
FIG. 3 is a rear view thereof;
FIG. 4 is a left side view thereof;
FIG. 5 is a right side view thereof;
FIG. 6 is a top plan view thereof;
FIG. 7 is a bottom view thereof;
FIG. 8 is a cross section view taken from cut line 8-8 in FIG. 1; and,
FIG. 9 is a cross section view taken from cut line 9-9 in FIG. 2.

- (56) **References Cited**
U.S. PATENT DOCUMENTS
5,979,908 A * 11/1999 Jones F16L 5/10
52/21
D605,739 S * 12/2009 Henry D23/269
D614,272 S * 4/2010 Henry D23/269
D696,751 S * 12/2013 Beagen, Jr. D23/269
D764,030 S * 8/2016 Darling C22C 21/02
D23/269
D828,524 S * 9/2018 Sugatani D23/269

1 Claim, 7 Drawing Sheets



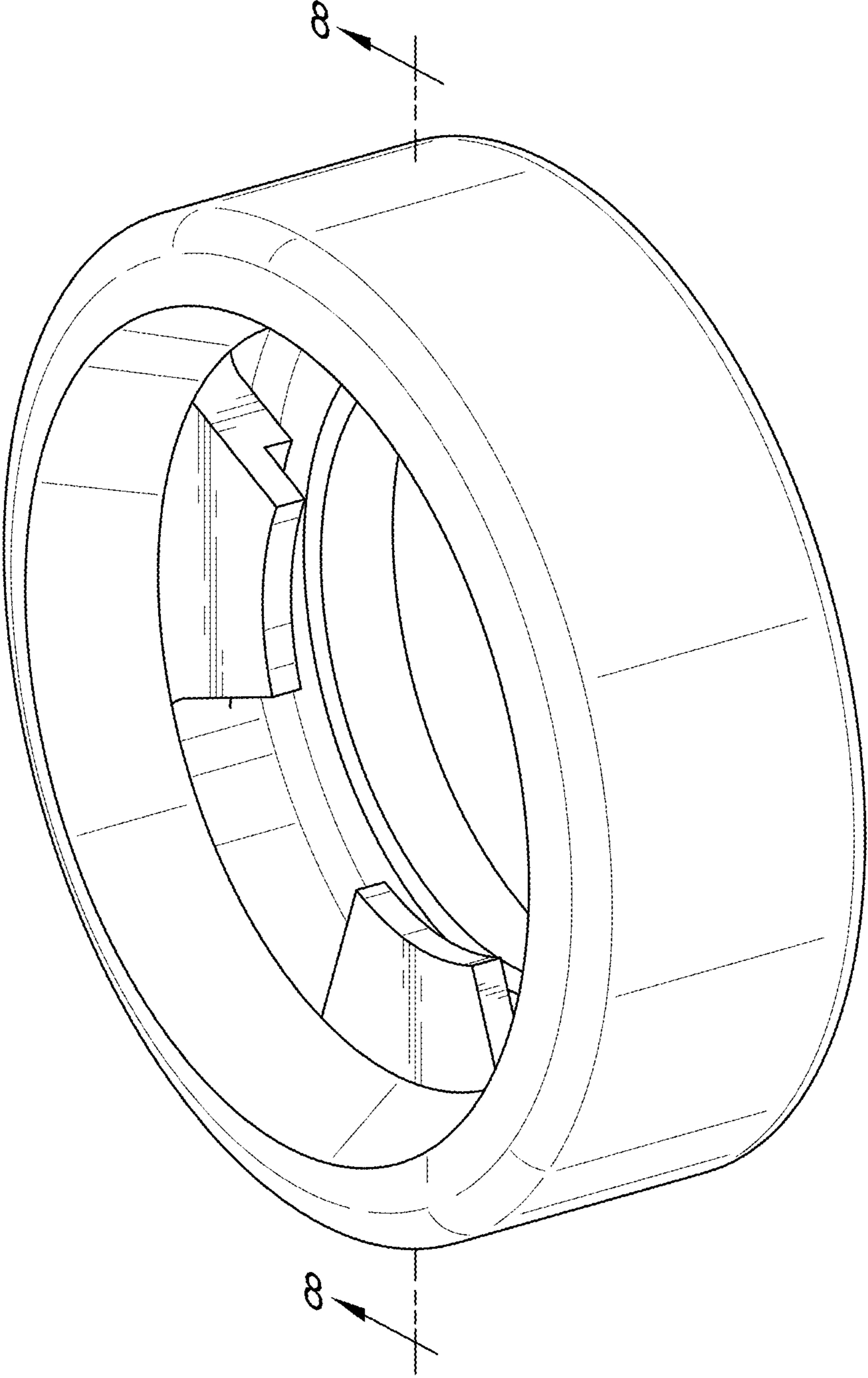


FIG. 1

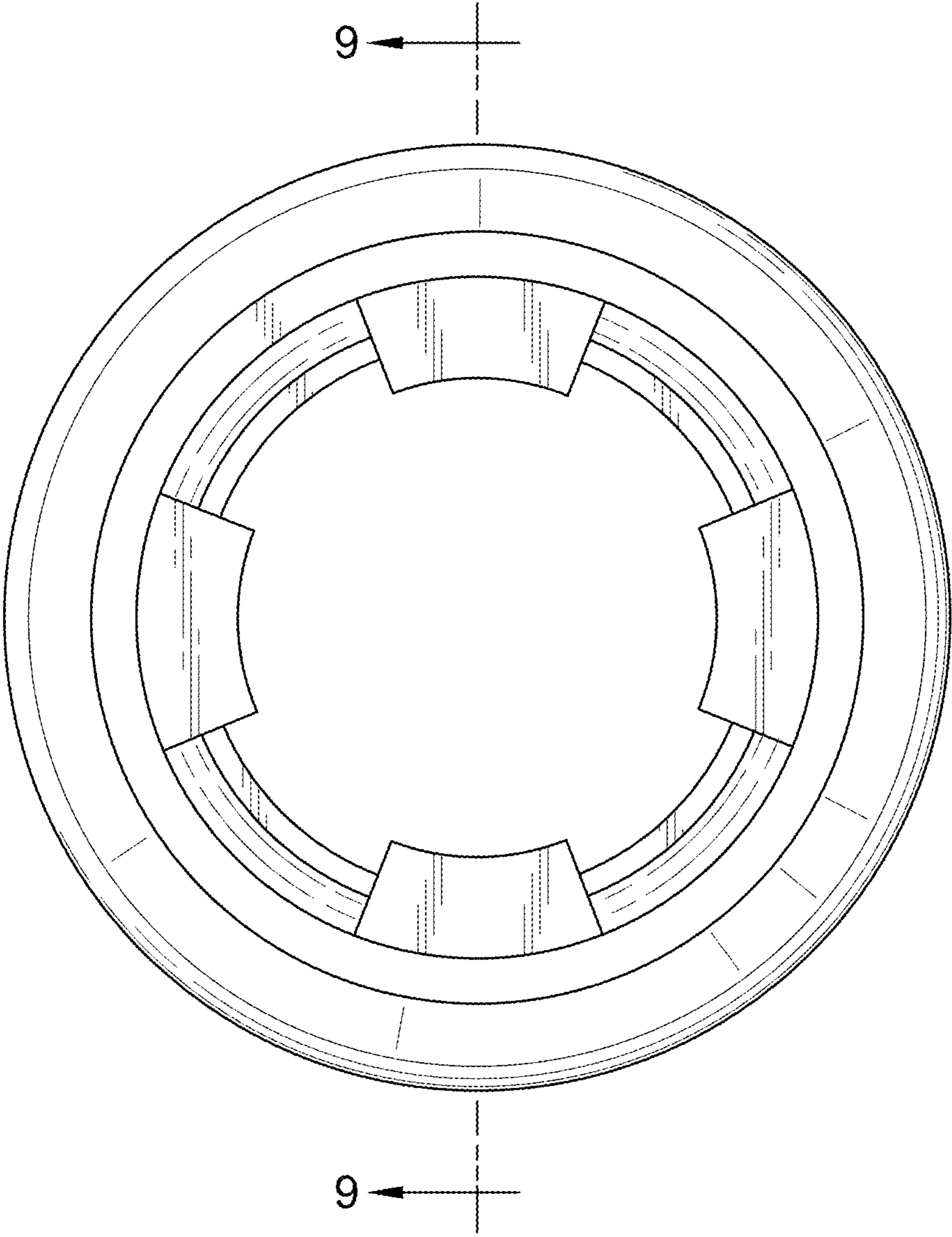


FIG. 2

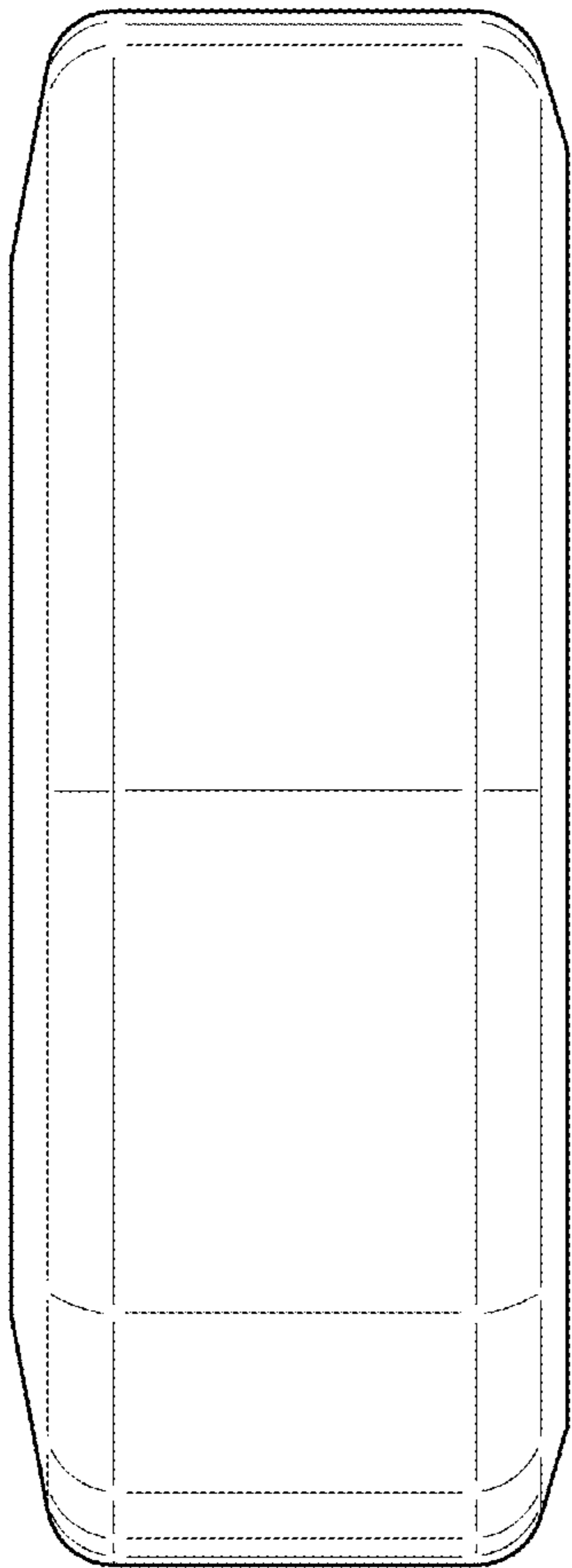


FIG. 3

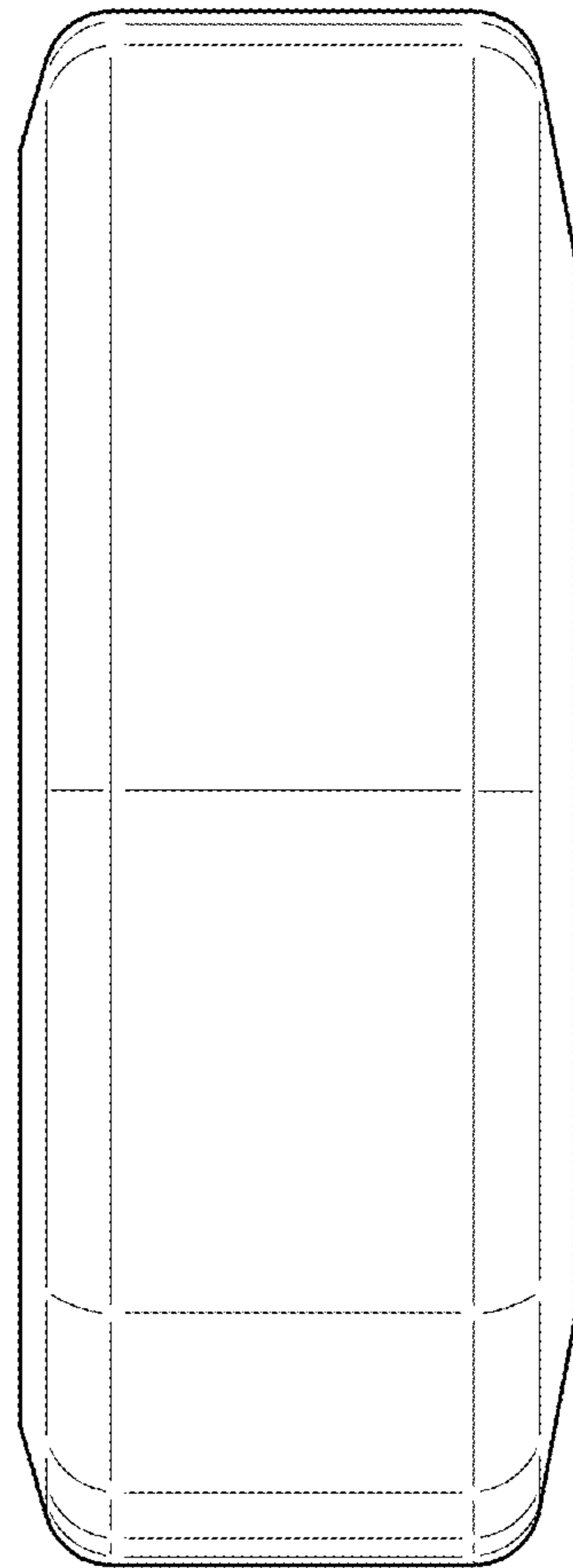


FIG. 4

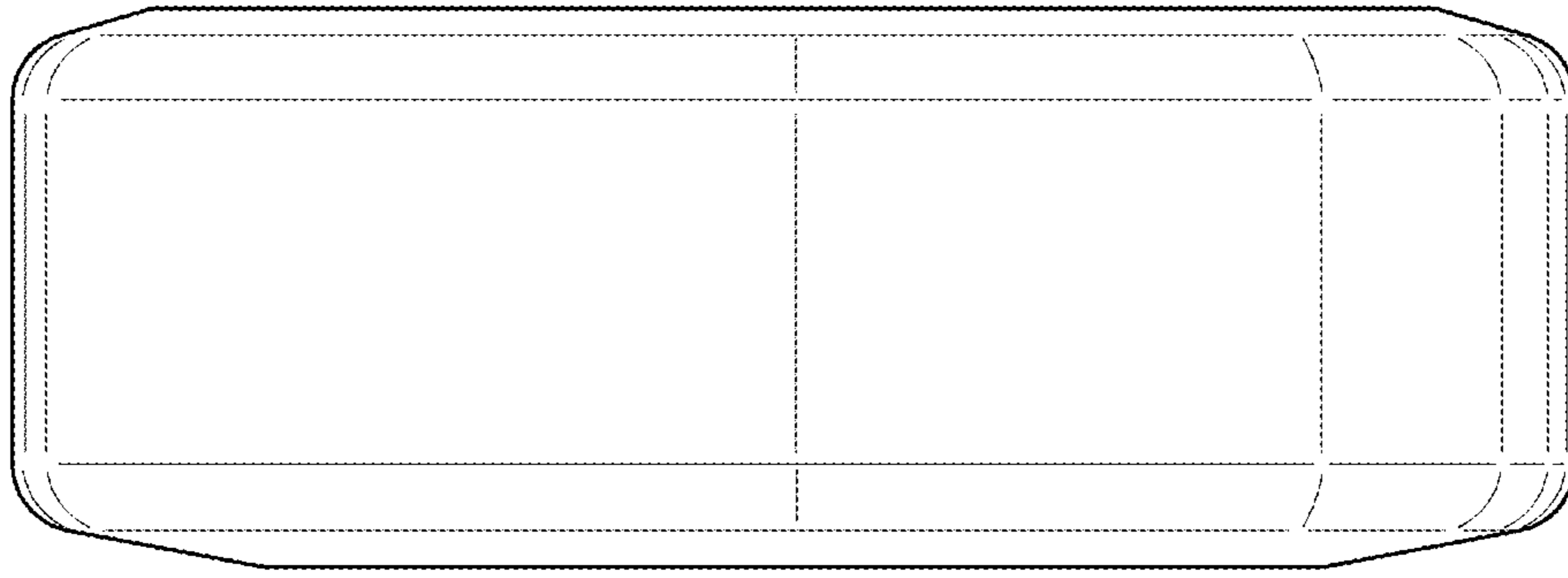


FIG. 5

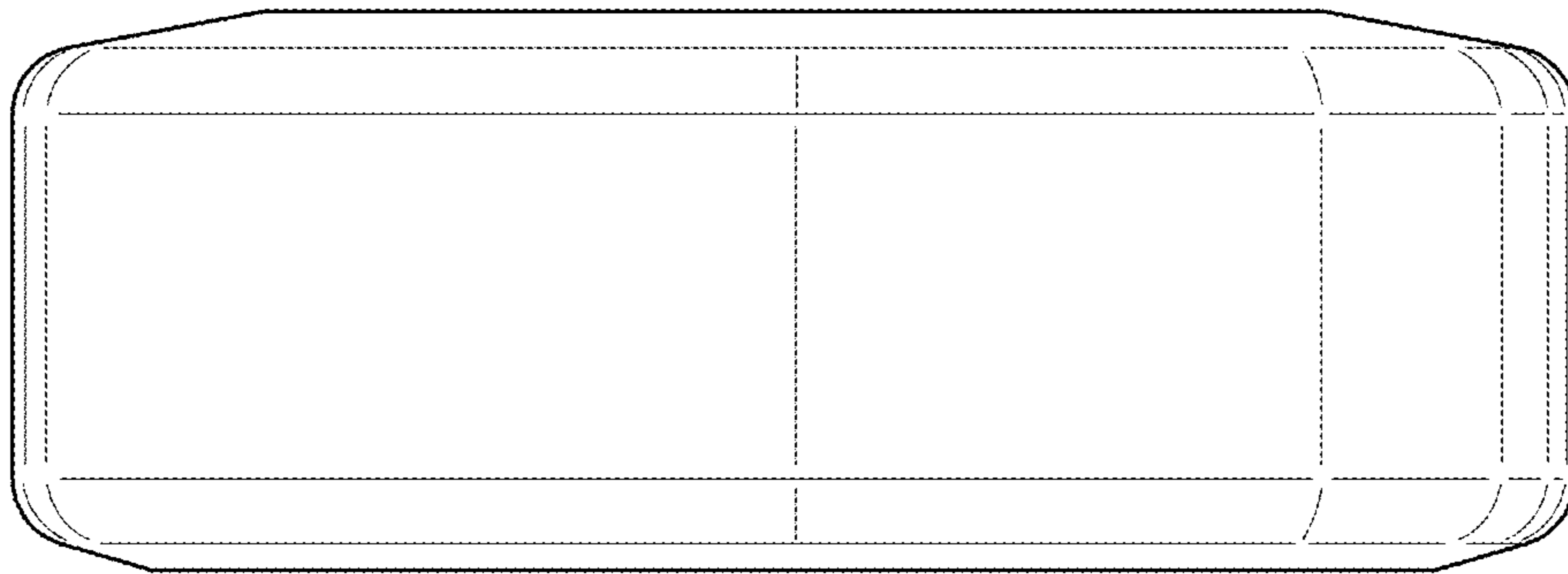


FIG. 6

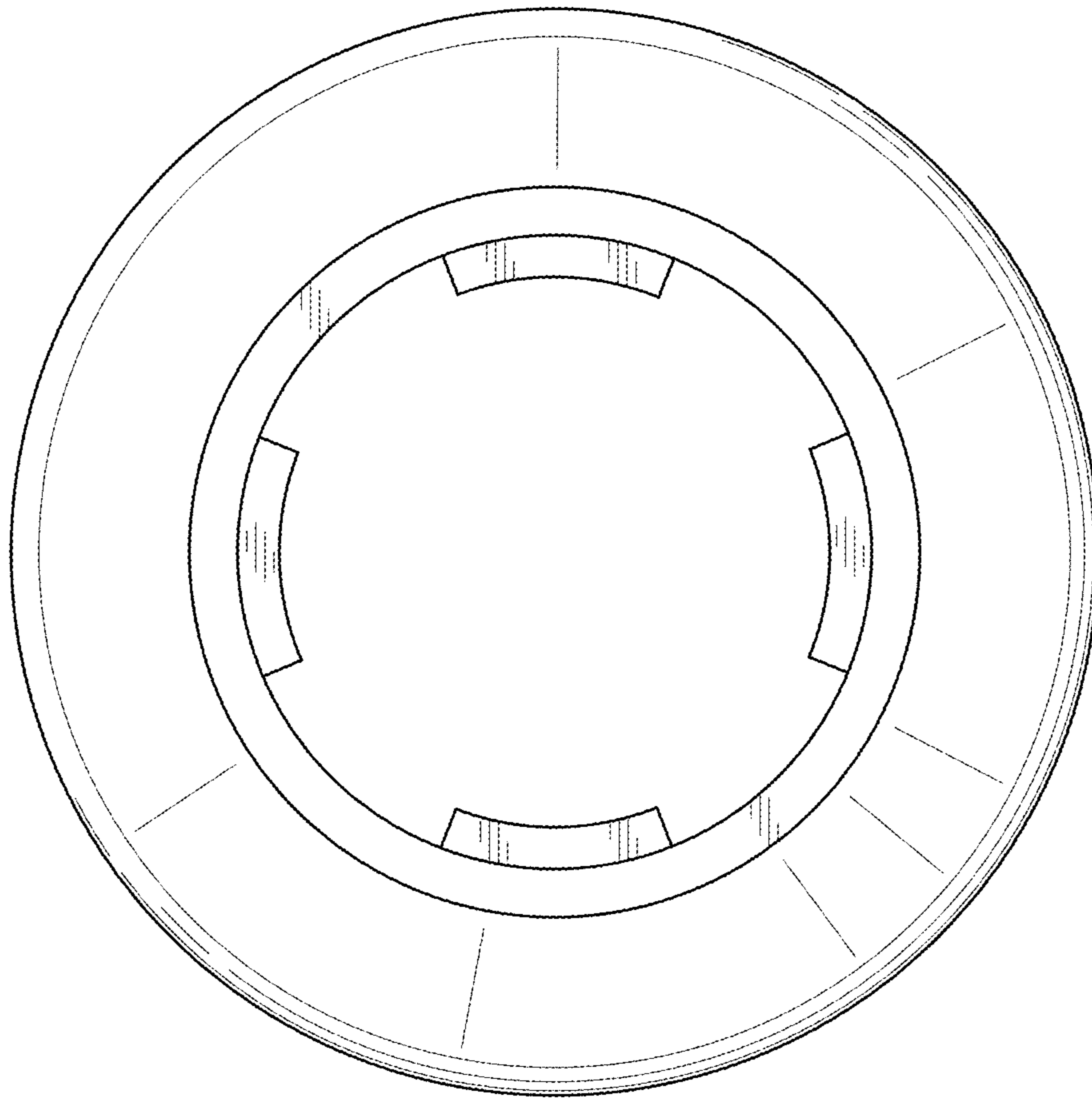


FIG. 7

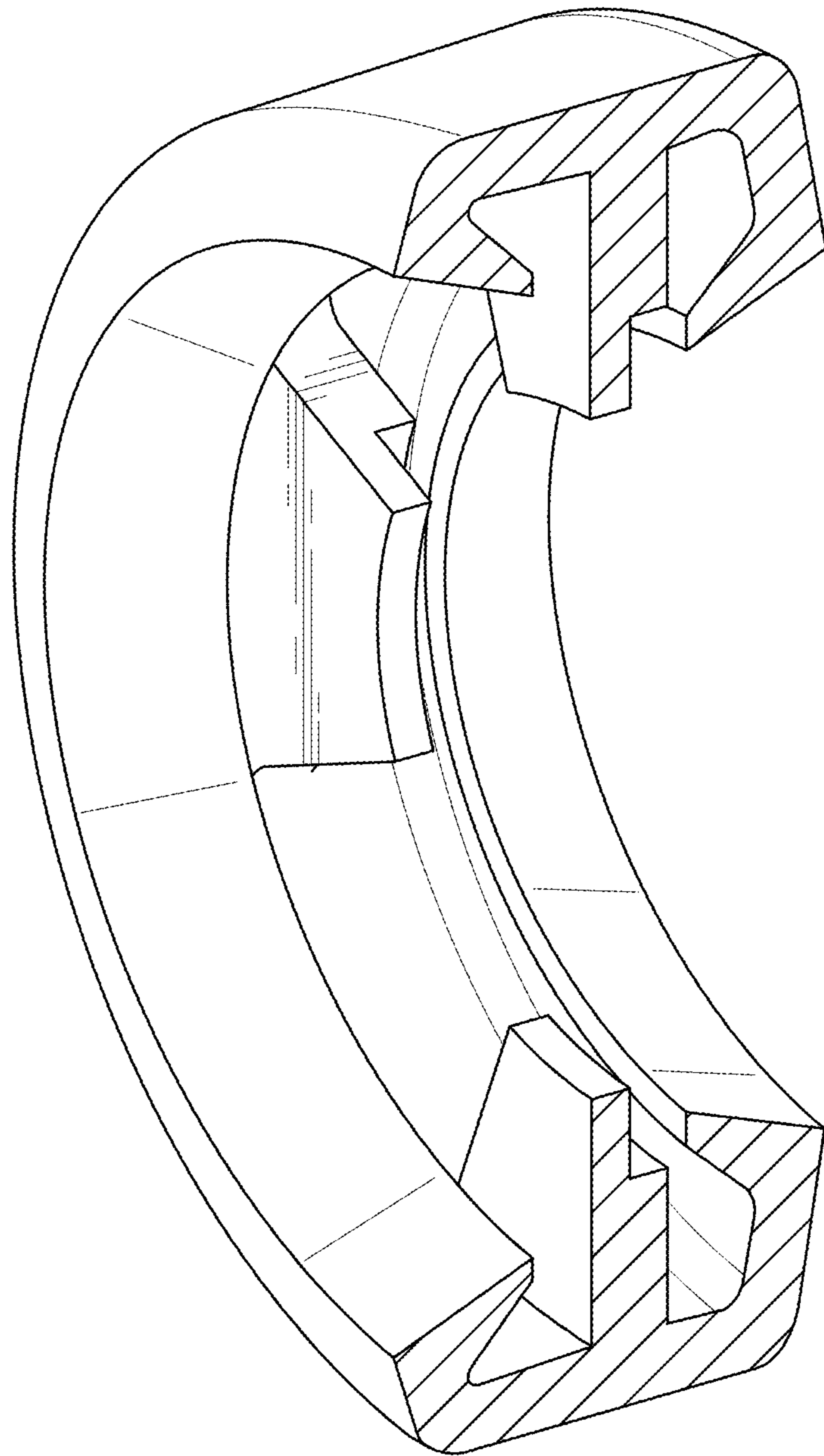


FIG. 8

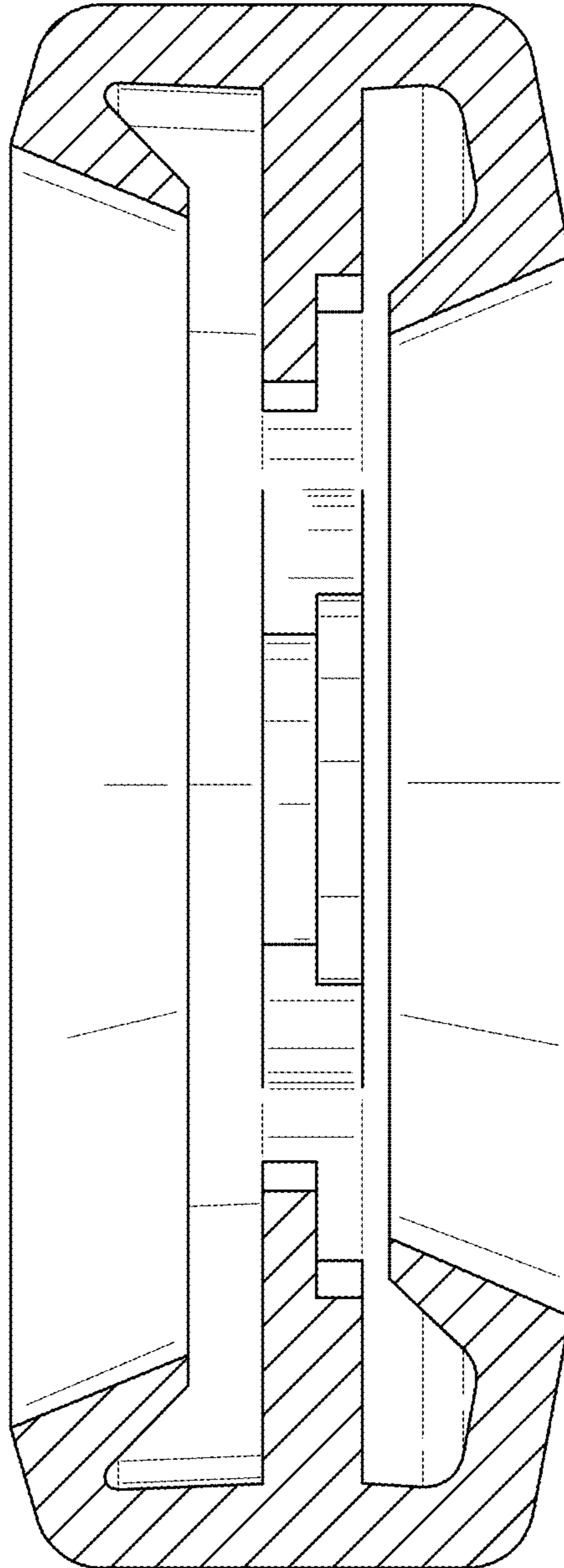


FIG. 9