



US00D984597S

(12) **United States Design Patent** (10) **Patent No.:** **US D984,597 S**  
**Wang** (45) **Date of Patent:** **\*\* Apr. 25, 2023**

(54) **JOINT FOR A PIPE CONNECTOR**

12/40; F16B 21/00; F16B 21/02; F16B 23/00; F16B 23/0015; F16B 23/0046; F16B 35/00; F16B 35/044; F16B 37/00; F21V 35/00; G09B 25/04

(71) Applicant: **NANJING SHUISHAN TECHNOLOGY CO., LTD.**, Jiangsu (CN)

See application file for complete search history.

(72) Inventor: **Rong Wang**, Jiangsu (CN)

(56) **References Cited**

(73) Assignee: **NANJING SHUISHAN TECHNOLOGY CO., LTD.**, Jiangsu (CN)

U.S. PATENT DOCUMENTS

(\*\*) Term: **15 Years**

D227,763 S *	7/1973	Hand	.....	D23/262
D336,510 S *	6/1993	Sawtelle	.....	D23/262
D594,937 S *	6/2009	Price	.....	D23/259
D596,272 S *	7/2009	Price	.....	D23/259
D710,485 S *	8/2014	Nudo	.....	D23/262
D754,303 S *	4/2016	Smith	.....	D23/259
D782,621 S *	3/2017	Smith	.....	D23/259
D932,597 S *	10/2021	Cheng	.....	D23/261

(21) Appl. No.: **29/796,441**

(22) Filed: **Jun. 24, 2021**

\* cited by examiner

(51) **LOC (14) Cl.** ..... **23-01**

(52) **U.S. Cl.**  
USPC ..... **D23/262**

*Primary Examiner* — Gino Colan

*Assistant Examiner* — David OBrien

(74) *Attorney, Agent, or Firm* — ScienBiziP, P.C.

(58) **Field of Classification Search**  
USPC ..... D23/213, 223, 229, 233, 249, 259–269, D23/365, 386, 387, 388, 397; D8/354, D8/382, 396; D7/312, 313; D24/112, D24/129

(57) **CLAIM**

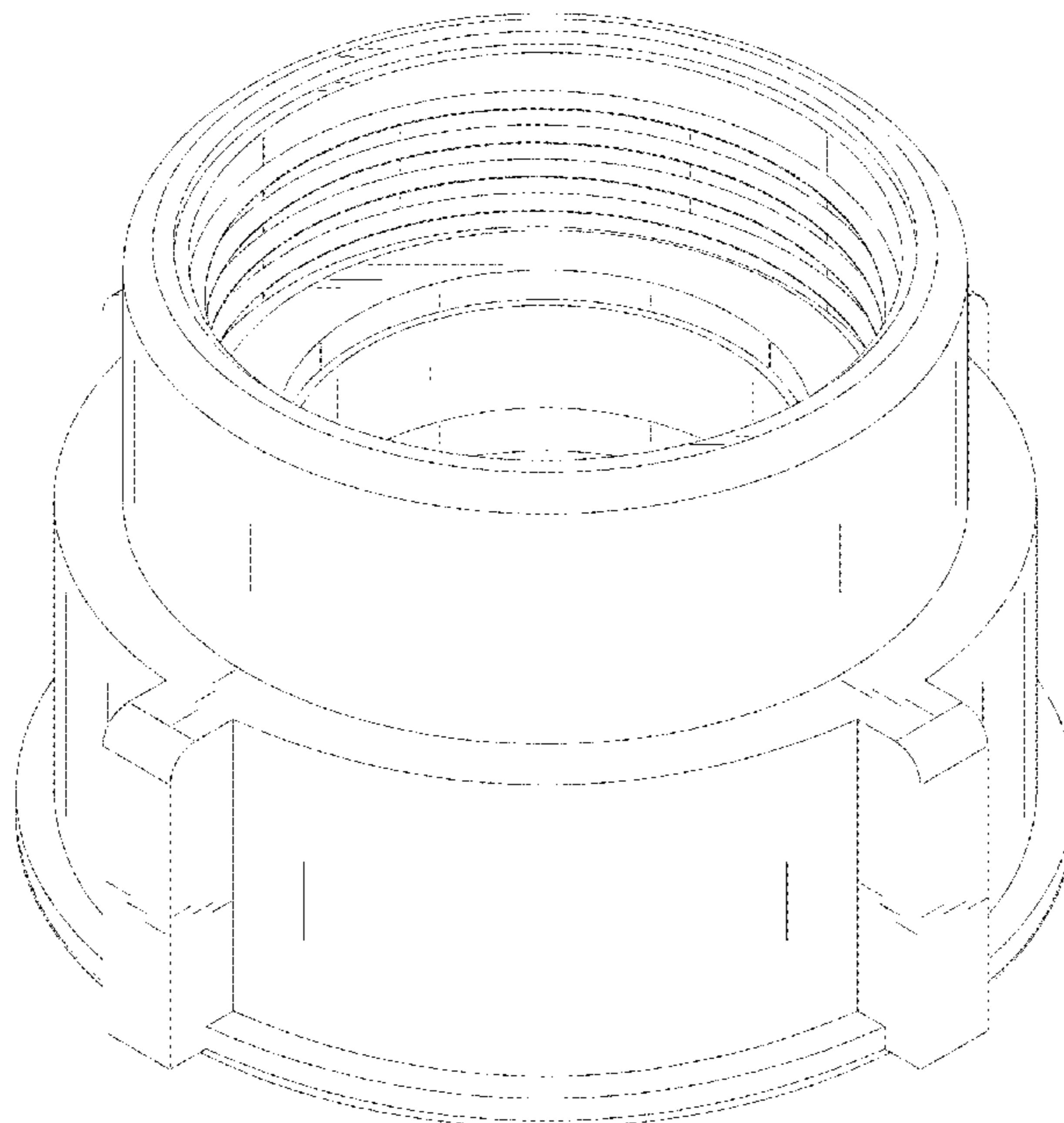
The ornamental design for a joint for a pipe connector, as shown and described.

CPC ... F16L 1/00; F16L 1/036; F16L 11/00; F16L 11/122; F16L 13/00; F16L 13/002; F16L 13/146; F16L 15/00; F16L 23/00; F16L 23/14; F16L 23/0283; F16L 25/0009; F16L 37/00; F16L 41/00; F16L 41/02; F16L 41/025; F16L 43/00; F16L 47/26; F16L 47/32; F16L 17/00; F16L 17/02; F16L 17/025; F16L 17/035; F16L 17/06; F16L 17/063; F16L 17/067; F16L 17/073; F16L 17/08; F16L 21/00; F16L 21/022; A47L 9/02; A47L 9/0416; A61M 39/00; A61M 39/223; F16B 2/00; F16B 2/08; F16B 7/00; F16B 7/04; F16B 7/0486; F16B 7/0493; F16B 2012/103; F16B

**DESCRIPTION**

FIG. 1 is a front, right, and top perspective view of a joint for a pipe connector, showing my design.  
FIG. 2 is a rear, left, and bottom perspective view thereof.  
FIG. 3 is a front elevation view thereof.  
FIG. 4 is a rear elevation view thereof.  
FIG. 5 is a left side elevation view thereof.  
FIG. 6 is a right side elevation view thereof.  
FIG. 7 is a top plan view thereof; and,  
FIG. 8 is a bottom plan view thereof.

**1 Claim, 8 Drawing Sheets**



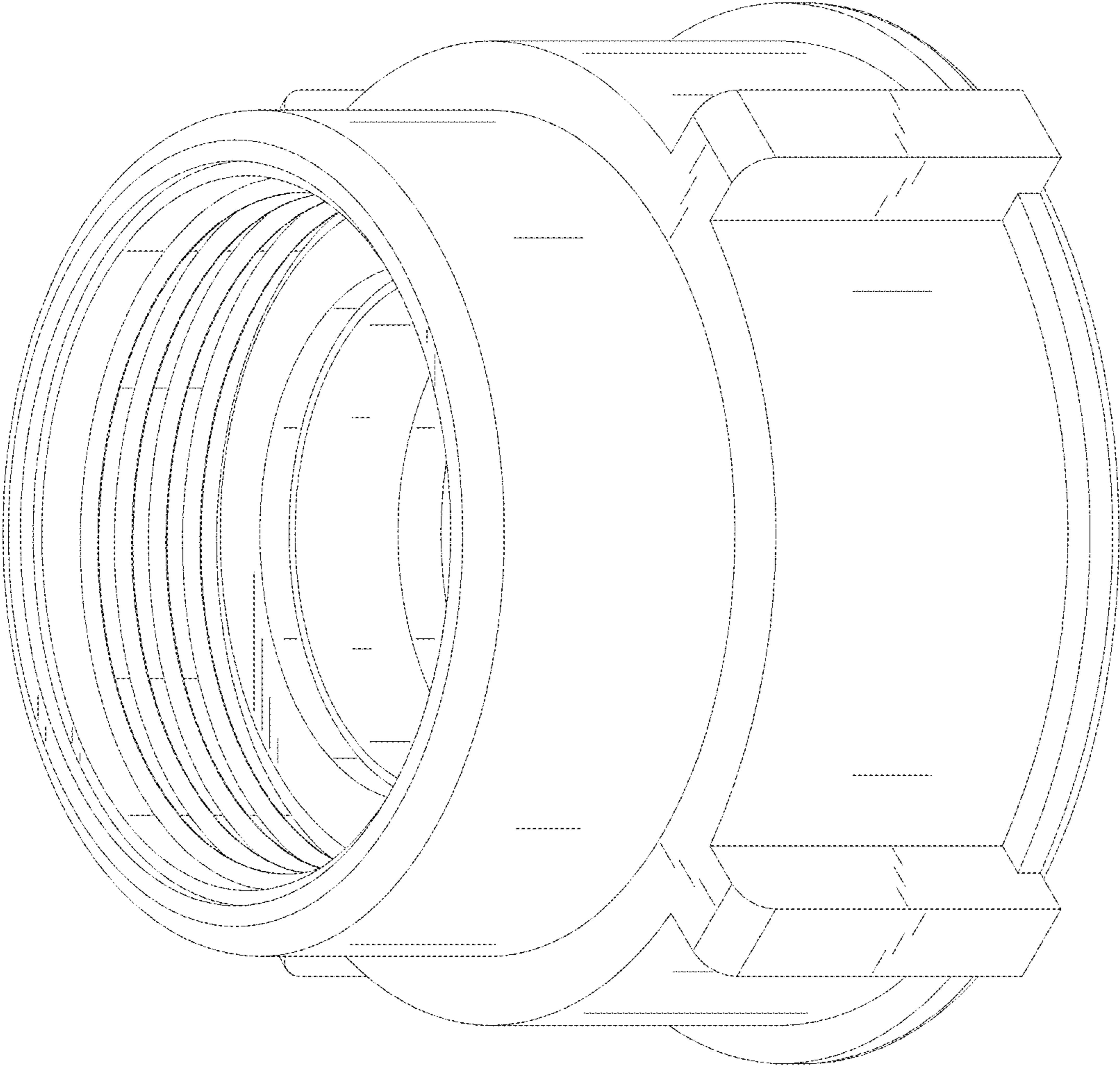


FIG.1

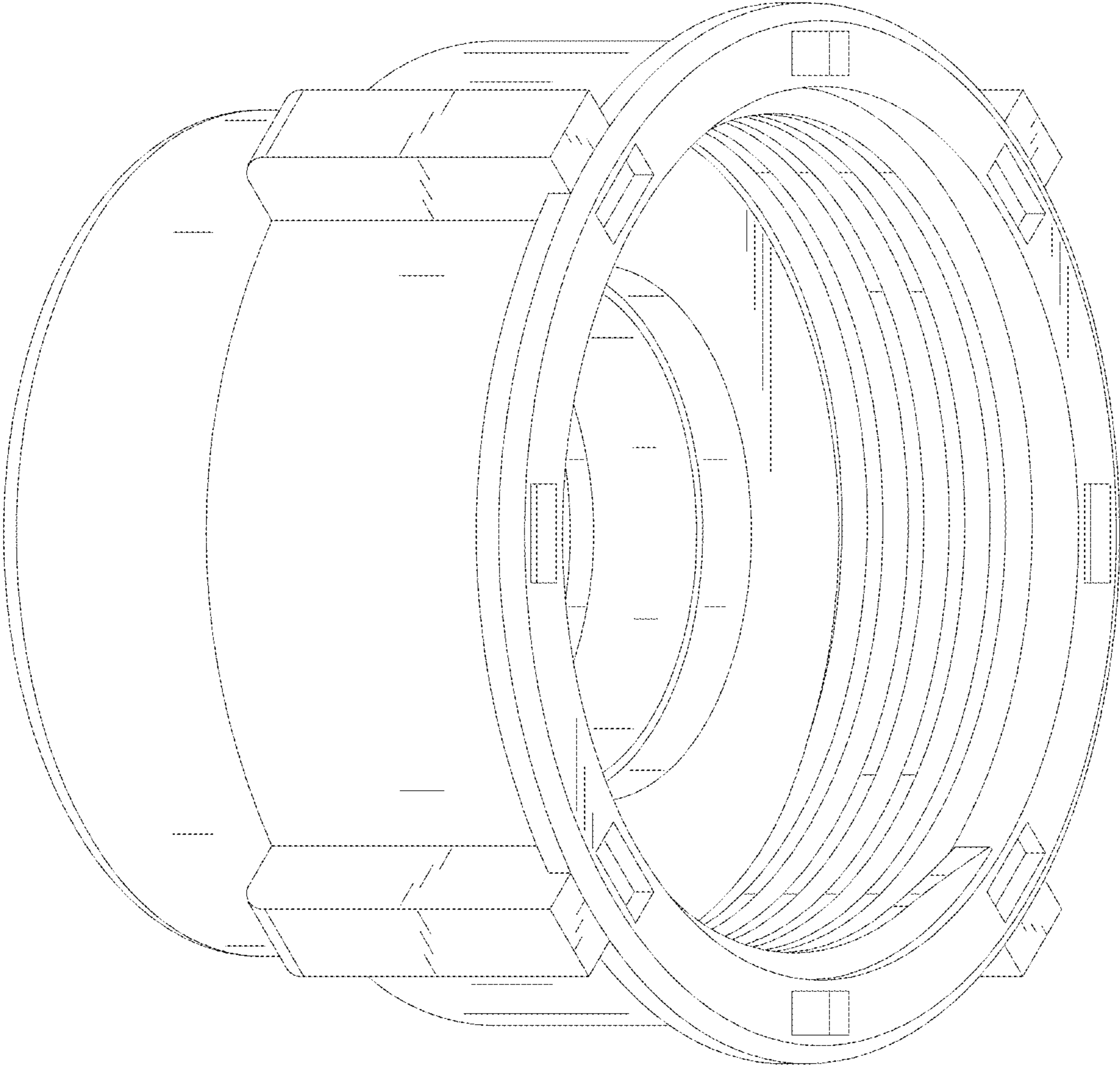


FIG.2

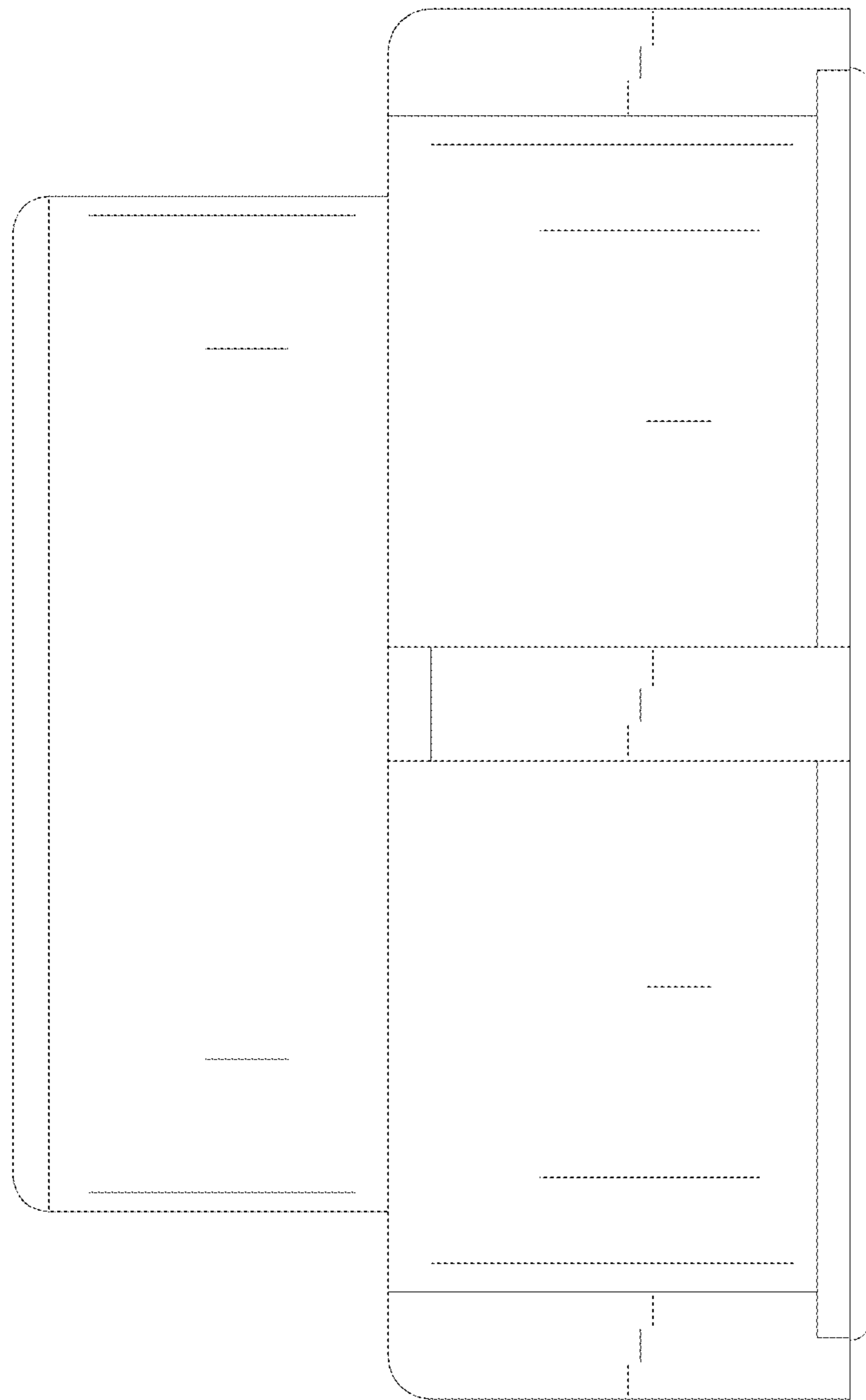


FIG. 3

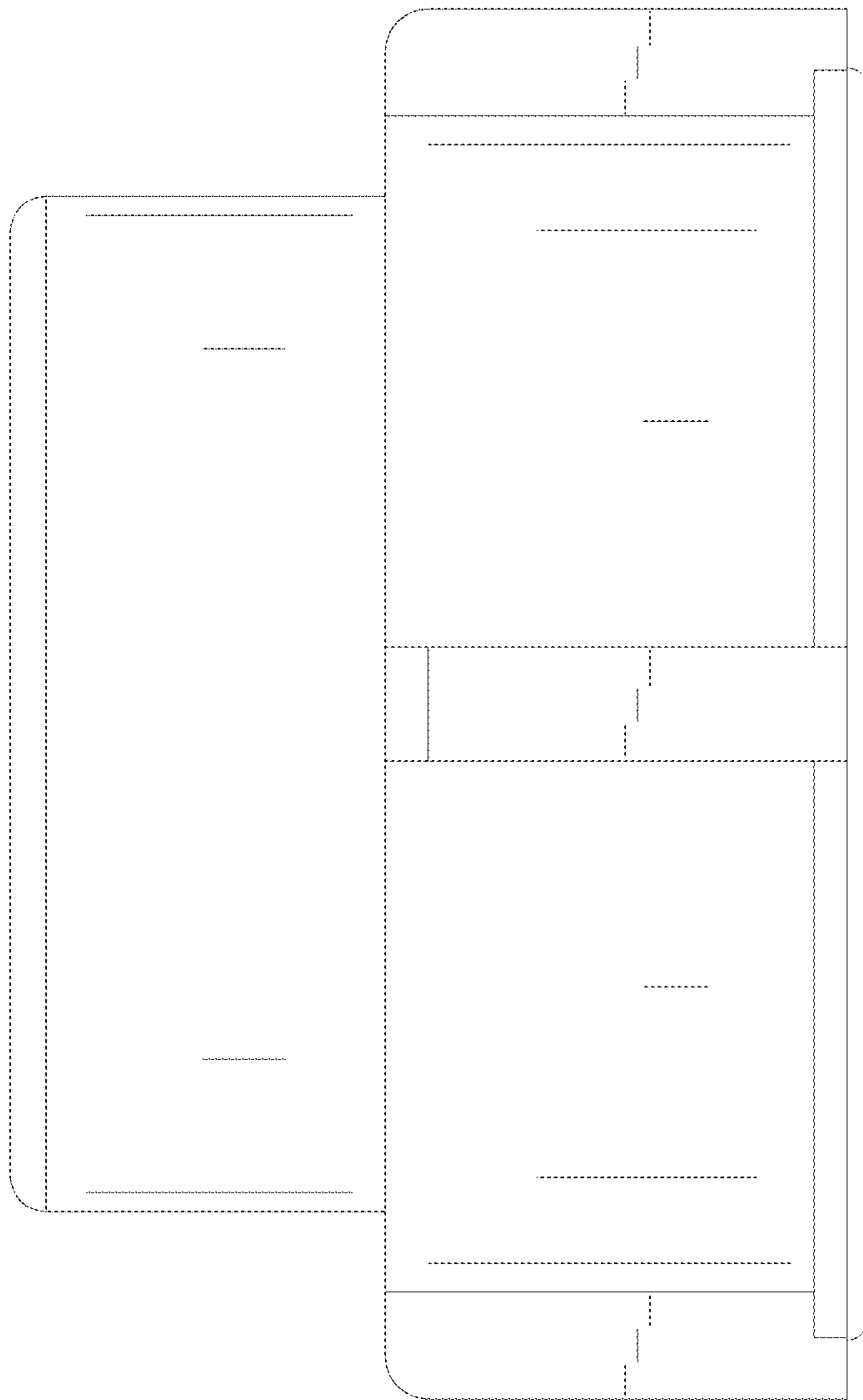


FIG. 4

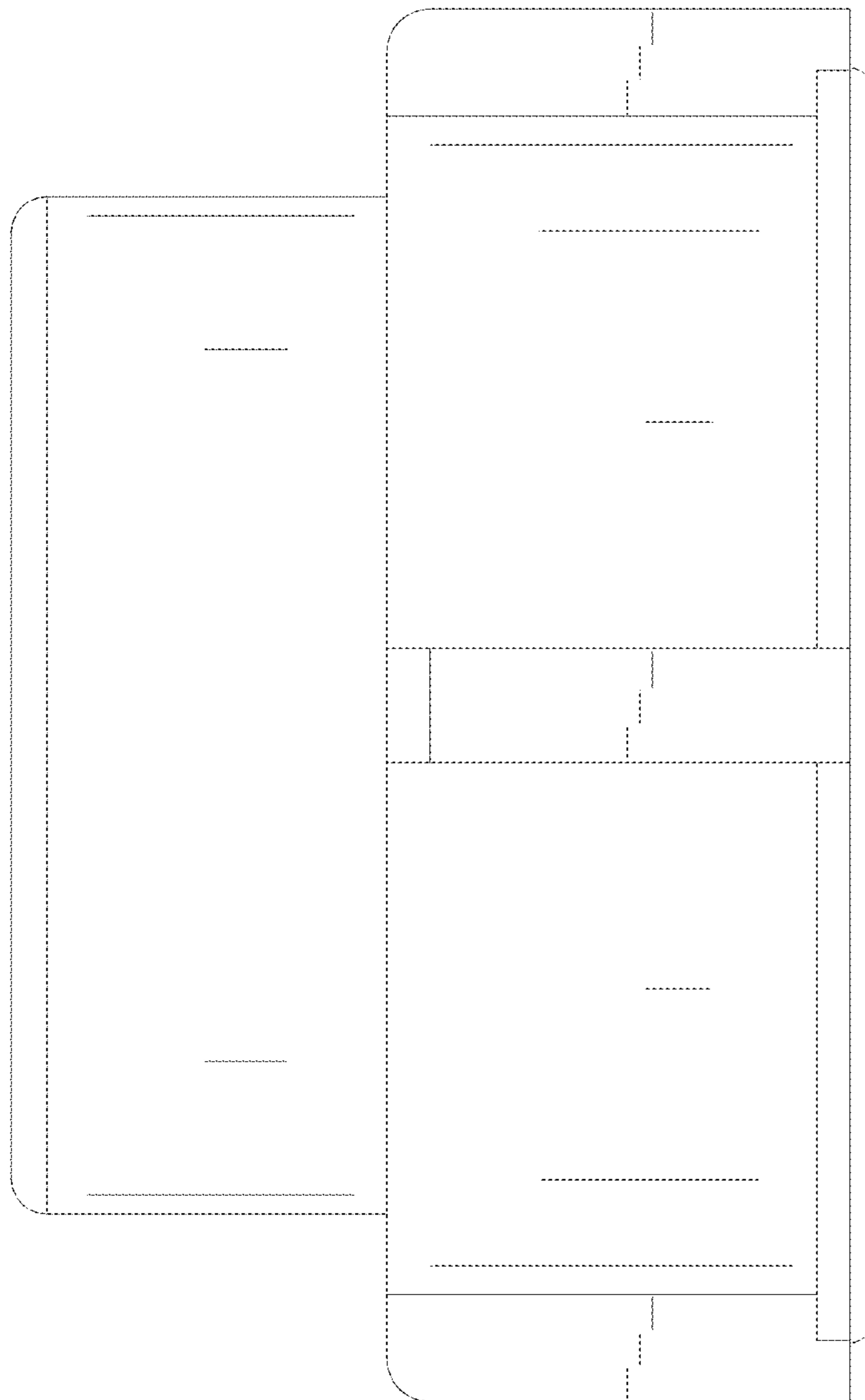


FIG. 5



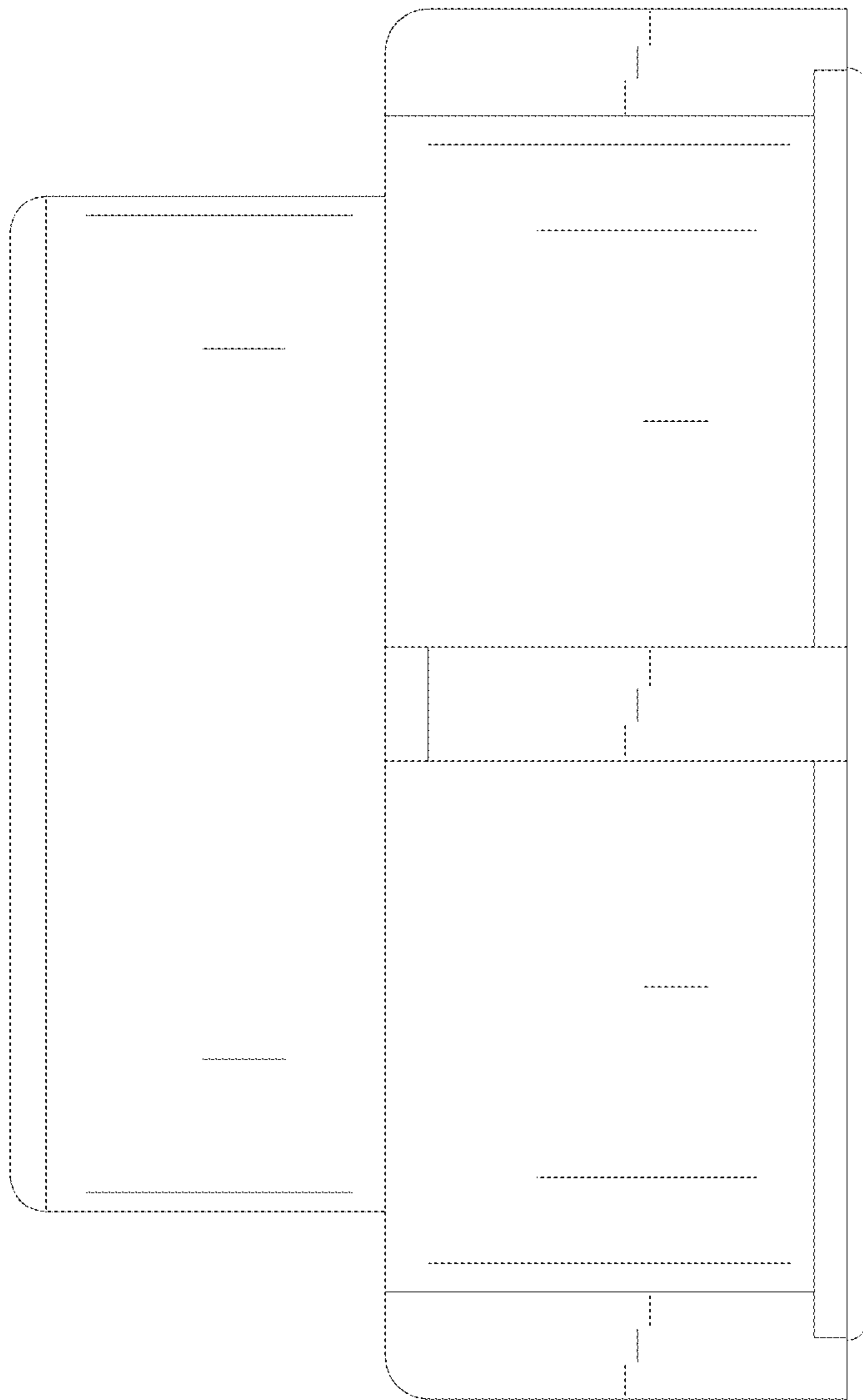


FIG.6

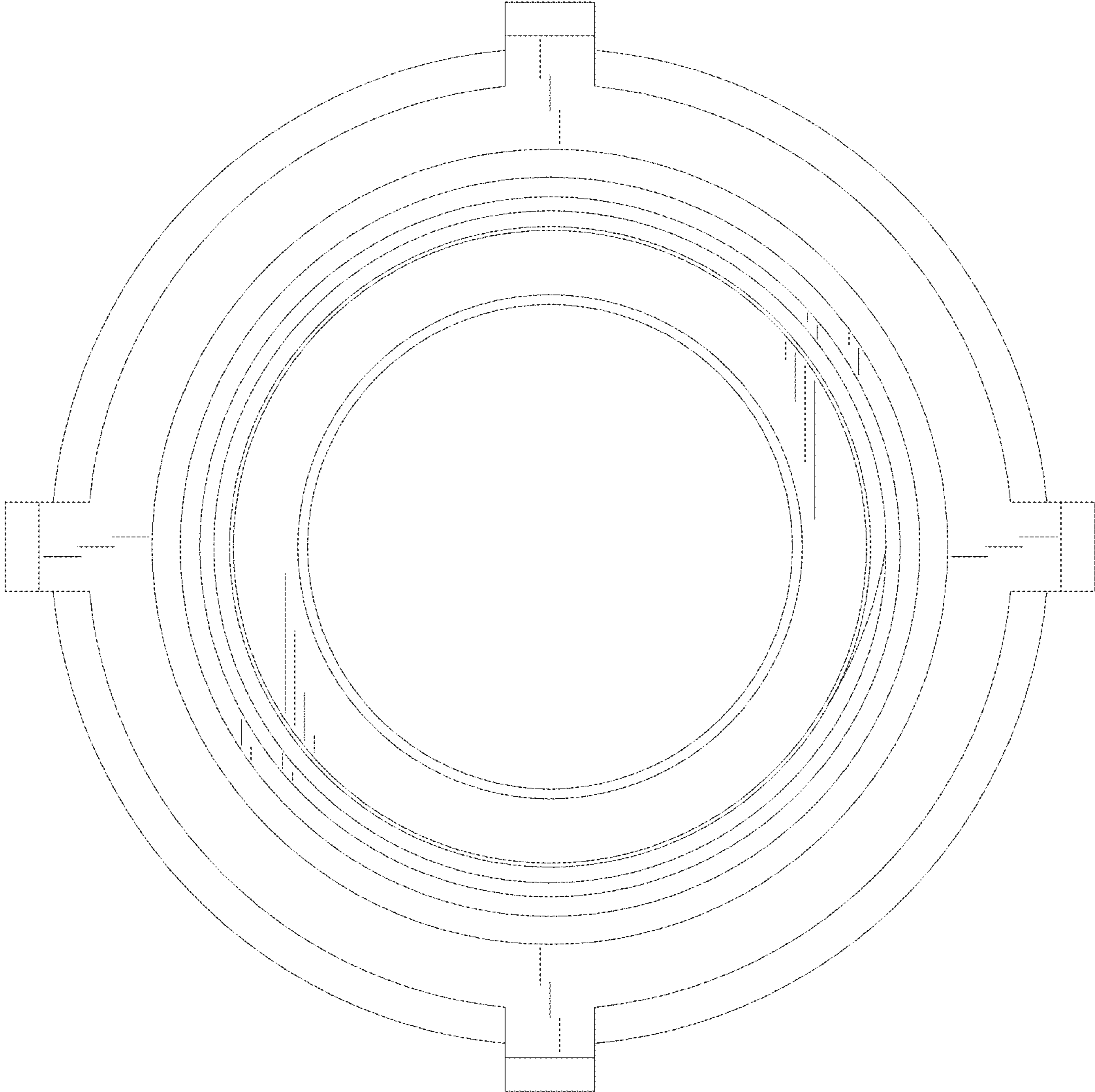


FIG. 7



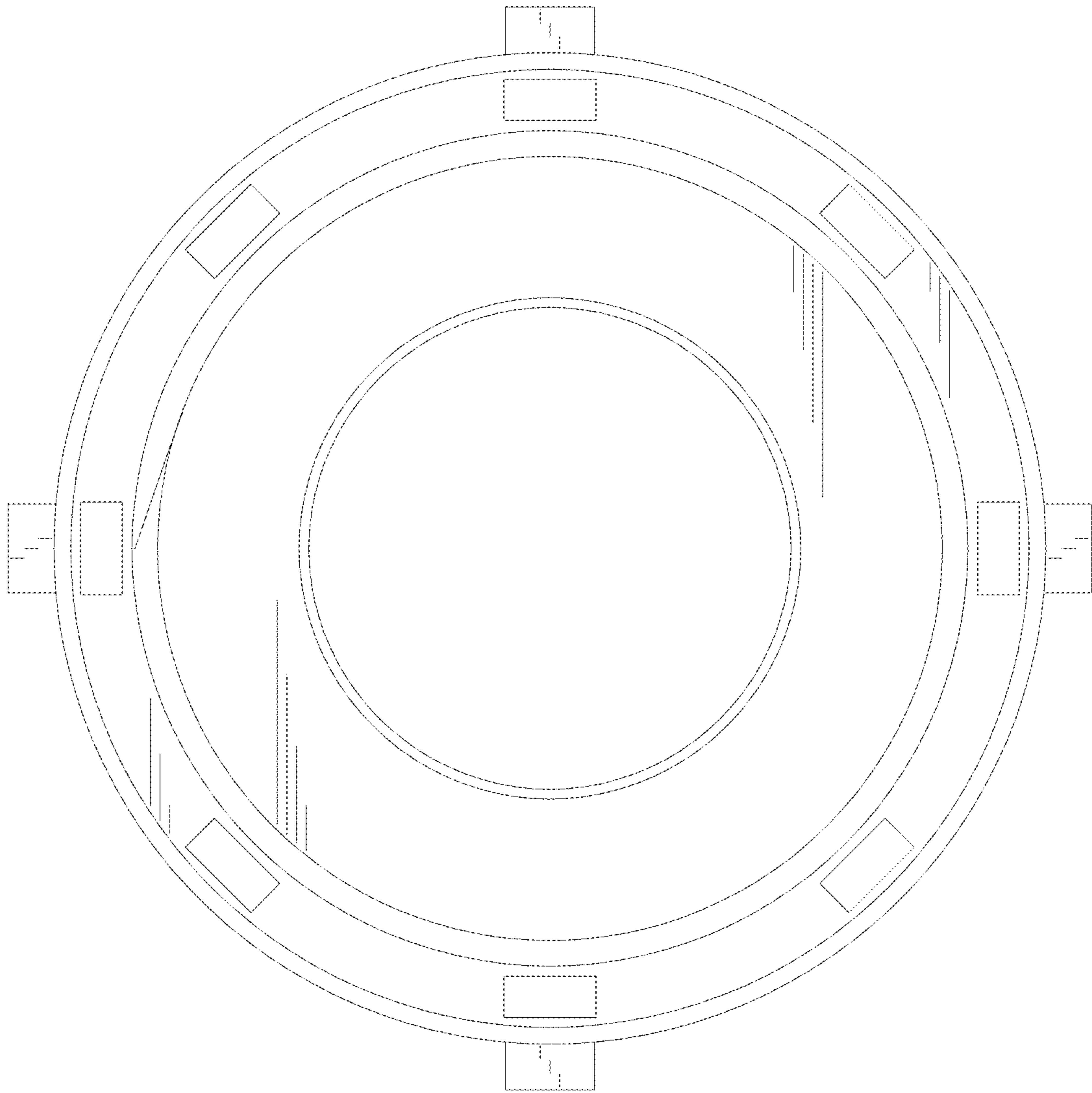


FIG. 8