



US00D984596S

(12) **United States Design Patent**
Qian

(10) **Patent No.:** **US D984,596 S**

(45) **Date of Patent:** **** Apr. 25, 2023**

(54) **FAUCET DRIP CATCHER**

(71) Applicant: **Xiaoyan Qian**, Shenzhen (CN)

(72) Inventor: **Xiaoyan Qian**, Shenzhen (CN)

(**) Term: **15 Years**

(21) Appl. No.: **29/837,952**

(22) Filed: **May 10, 2022**

(30) **Foreign Application Priority Data**

Apr. 22, 2022 (CN) 202230229276.2

(51) **LOC (14) Cl.** **23-01**

(52) **U.S. Cl.**
USPC **D23/261; D32/57**

(58) **Field of Classification Search**
USPC D23/259, 260-261; D7/354, 667;
D32/55, 57

(Continued)

(56) **References Cited**

U.S. PATENT DOCUMENTS

2,507,877 A * 5/1950 Babcock E03C 1/186
4/658
2,596,735 A * 5/1952 Suarez A47L 19/02
4/581

(Continued)

OTHER PUBLICATIONS

EK Memory Fish Splash Silicone Faucet Drip Catcher For Kitchen Sink; First Available Date Apr. 18, 2022; Visited Online Sep. 2, 2022; https://www.amazon.com/Silicone-Catcher-Draining-Protector-Countertop%E3%80%90Grey%E3%80%91/dp/B09XWW5P91/ref=asc_df_B09XWW5P91/?tag=hyprod-20&linkCode=df0&hvadid=587725122627&hvpos=&hvnetw=g&hvrnd=16714624968631878734&hvpon=&hvptwo=&hvqmt=&hvdev=c&hvdvcmdl=&hvlcint=&hvlcophy=9008192&hvtargid=pla-1654242806636&th=1 (Year: 2022).*

(Continued)

Primary Examiner — Amy C Wierenga

(74) *Attorney, Agent, or Firm* — Runit Ranjit Kanakia

(57) **CLAIM**

The ornamental design for a faucet drip catcher, as shown and described.

DESCRIPTION

FIG. 1 is a front perspective view of a faucet drip catcher showing my new design;

FIG. 2 is a rear perspective view thereof;

FIG. 3 is a front elevational view thereof;

FIG. 4 is a rear elevational view thereof;

FIG. 5 is a left side view thereof, and the right side view being a mirror image of FIG. 5;

FIG. 6 is a top plan view thereof;

FIG. 7 is a bottom plan view thereof;

FIG. 8 is an enlarged detail view of area 8 of FIG. 1;

FIG. 9 is an enlarged detail view of area 9 of FIG. 1;

FIG. 10 is an enlarged detail view of area 10 of FIG. 1;

FIG. 11 is an enlarged detail view of area 11 of FIG. 2;

FIG. 12 is an enlarged detail view of area 12 of FIG. 2;

FIG. 13 is an enlarged detail view of area 13 of FIG. 2;

FIG. 14 is an enlarged detail view of area 14 of FIG. 3;

FIG. 15 is an enlarged detail view of area 15 of FIG. 3;

FIG. 16 is an enlarged detail view of area 16 of FIG. 3;

FIG. 17 is an enlarged detail view of area 17 of FIG. 4;

FIG. 18 is an enlarged detail view of area 18 of FIG. 4;

FIG. 19 is an enlarged detail view of area 19 of FIG. 4;

FIG. 20 is an enlarged detail view of area 20 of FIG. 5;

FIG. 21 is an enlarged detail view of area 21 of FIG. 5;

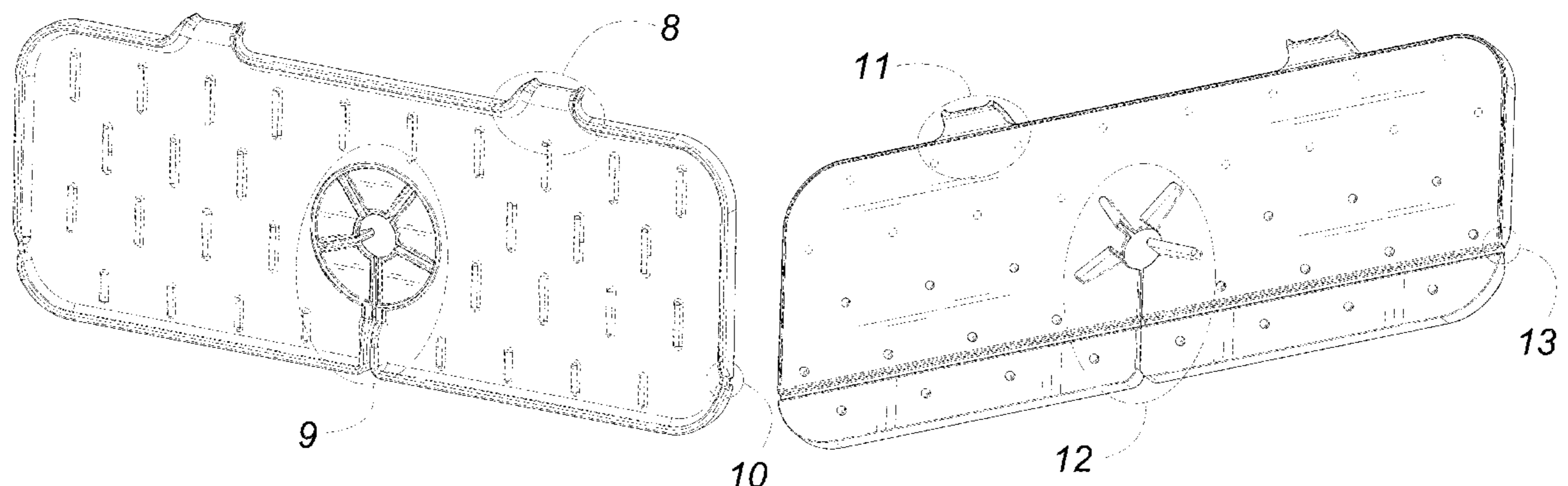
FIG. 22 is an enlarged detail view of area 22 of FIG. 6;

FIG. 23 is an enlarged detail view of area 23 of FIG. 7; and,

FIG. 24 is an enlarged detail view of area 24 of FIG. 7.

The broken lines in the figures depict portions of the faucet drip catcher, that form no part of the claimed design. The dot dash broken lines indicate cutoff boundaries for enlarged detailed portion views and form no part of the claim.

1 Claim, 15 Drawing Sheets



(58) **Field of Classification Search**
 CPC A47J 47/20; E03C 1/186; Y10S 4/18
 See application file for complete search history.

D915,019 S 3/2021 Green
 D970,844 S * 11/2022 Huang D32/57
 2022/0378252 A1* 12/2022 Qian A47J 47/20

(56) **References Cited**

U.S. PATENT DOCUMENTS

D186,708	S	*	11/1959	Bliss	D32/57
3,005,209	A	*	10/1961	Timmons, Jr.	E03C 1/186 4/657
4,894,875	A	*	1/1990	Oxley	E03C 1/186 4/581
D363,577	S	*	10/1995	Brightbill	D32/57
D514,765	S		2/2006	Dretzka		
D517,759	S		3/2006	Dretzka		
D554,820	S	*	11/2007	Dretzka	D32/57
D560,048	S		1/2008	Snell		
D581,120	S	*	11/2008	Sofy	D32/57
D613,017	S		3/2010	Snell		
D615,266	S		5/2010	Lion		
D621,114	S		8/2010	Lion		
D625,482	S		10/2010	Yang		
D640,433	S		6/2011	Pargansky		
D685,560	S	*	7/2013	Lee	D32/57
D707,004	S	*	6/2014	Levy	D32/57
D707,005	S	*	6/2014	Levy	D32/57
D751,784	S	*	3/2016	Robbins, III	D32/55
D781,018	S	*	3/2017	Evans	D32/55
D821,670	S	*	6/2018	Lynch	D32/57
D824,628	S	*	7/2018	Lynch	D32/57
D863,819	S	*	10/2019	Ghiorghie	D6/585
D904,709	S	*	12/2020	Gee, II	D32/57
D904,710	S		12/2020	Gee, II		

OTHER PUBLICATIONS

Mofason Kitchen Sink Splash Guard . . . ; First Available Date Mar. 16, 2022; Visited Online Oct. 17, 2022;

* cited by examiner

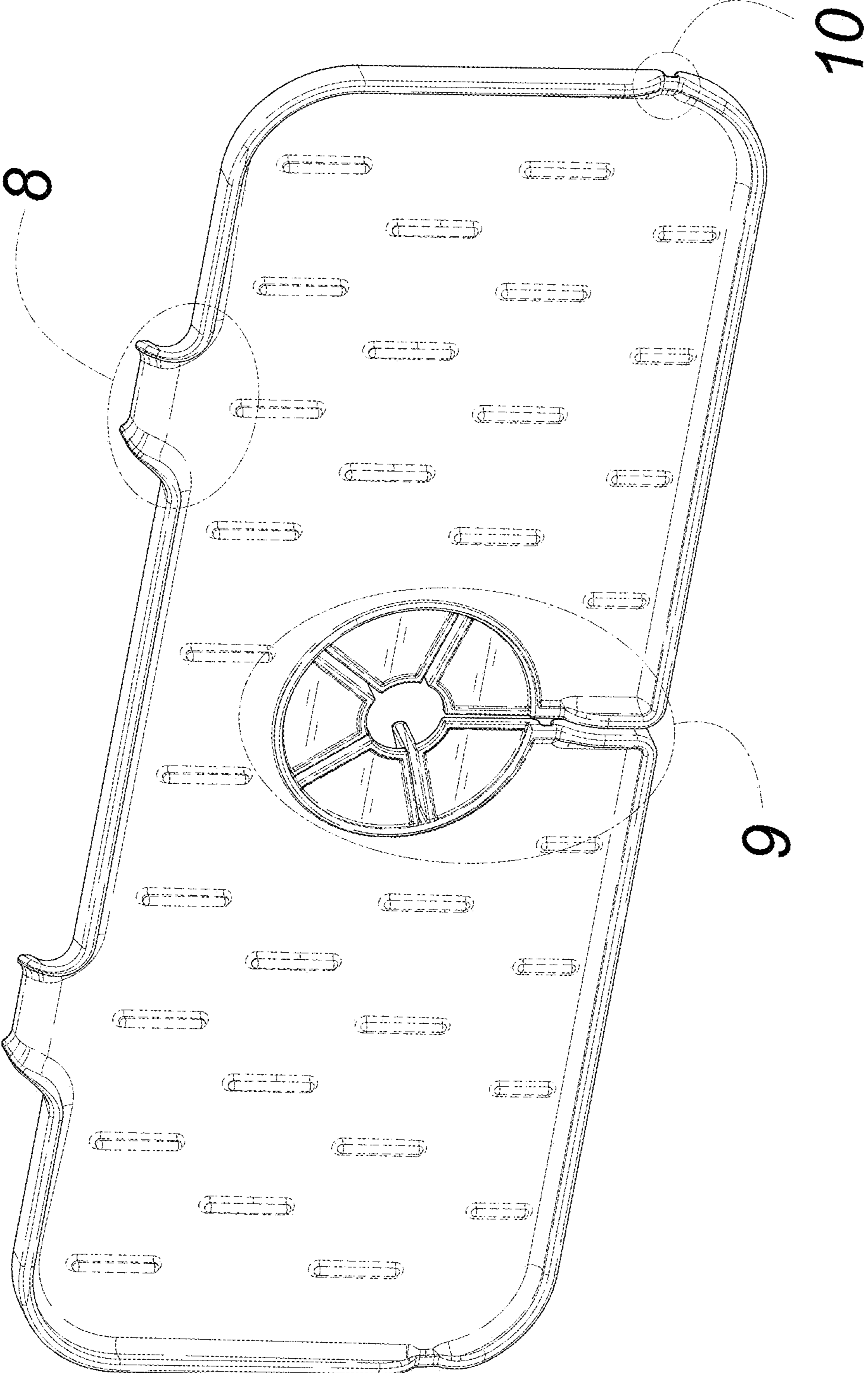


FIG. 1

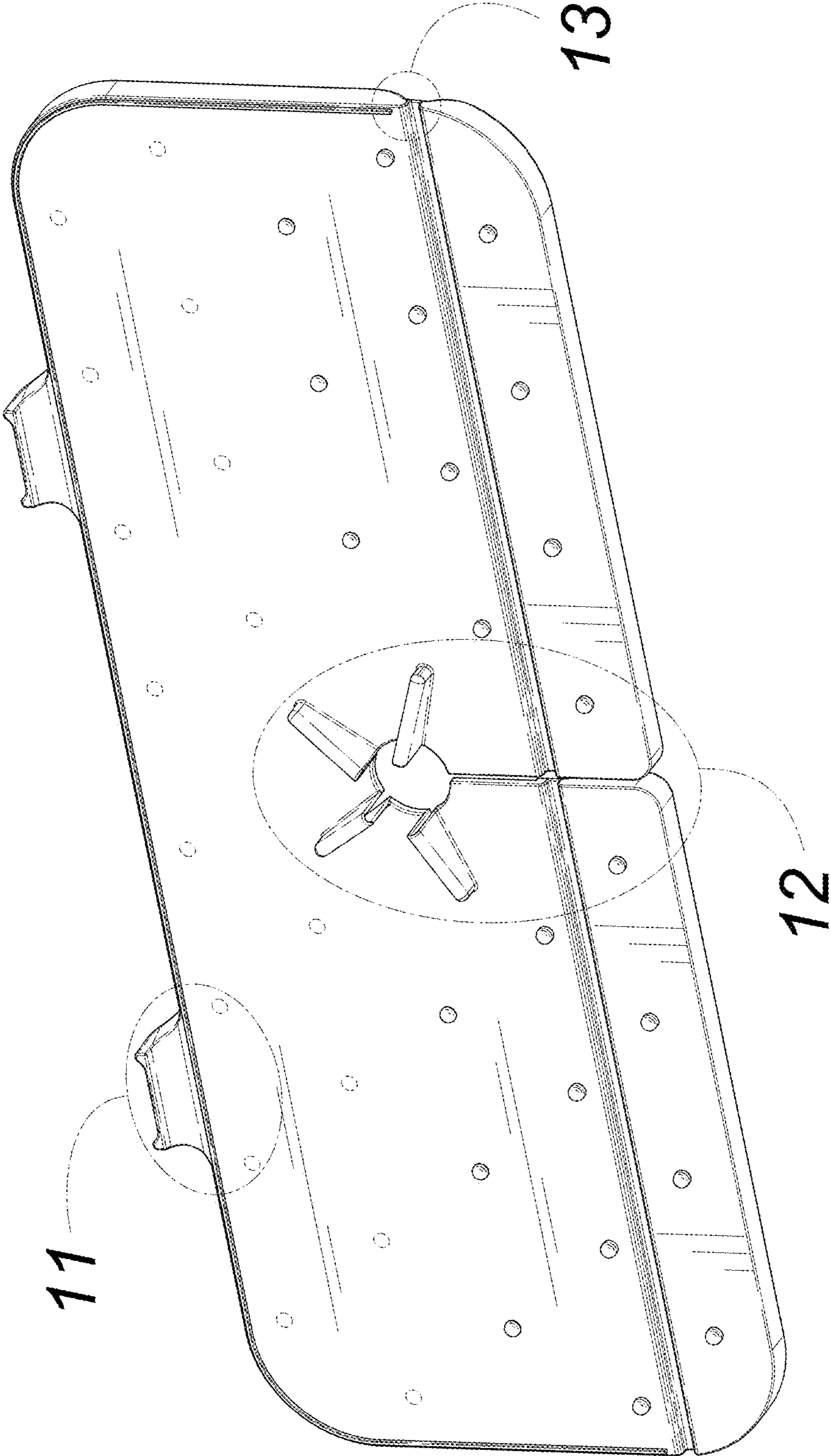


FIG. 2

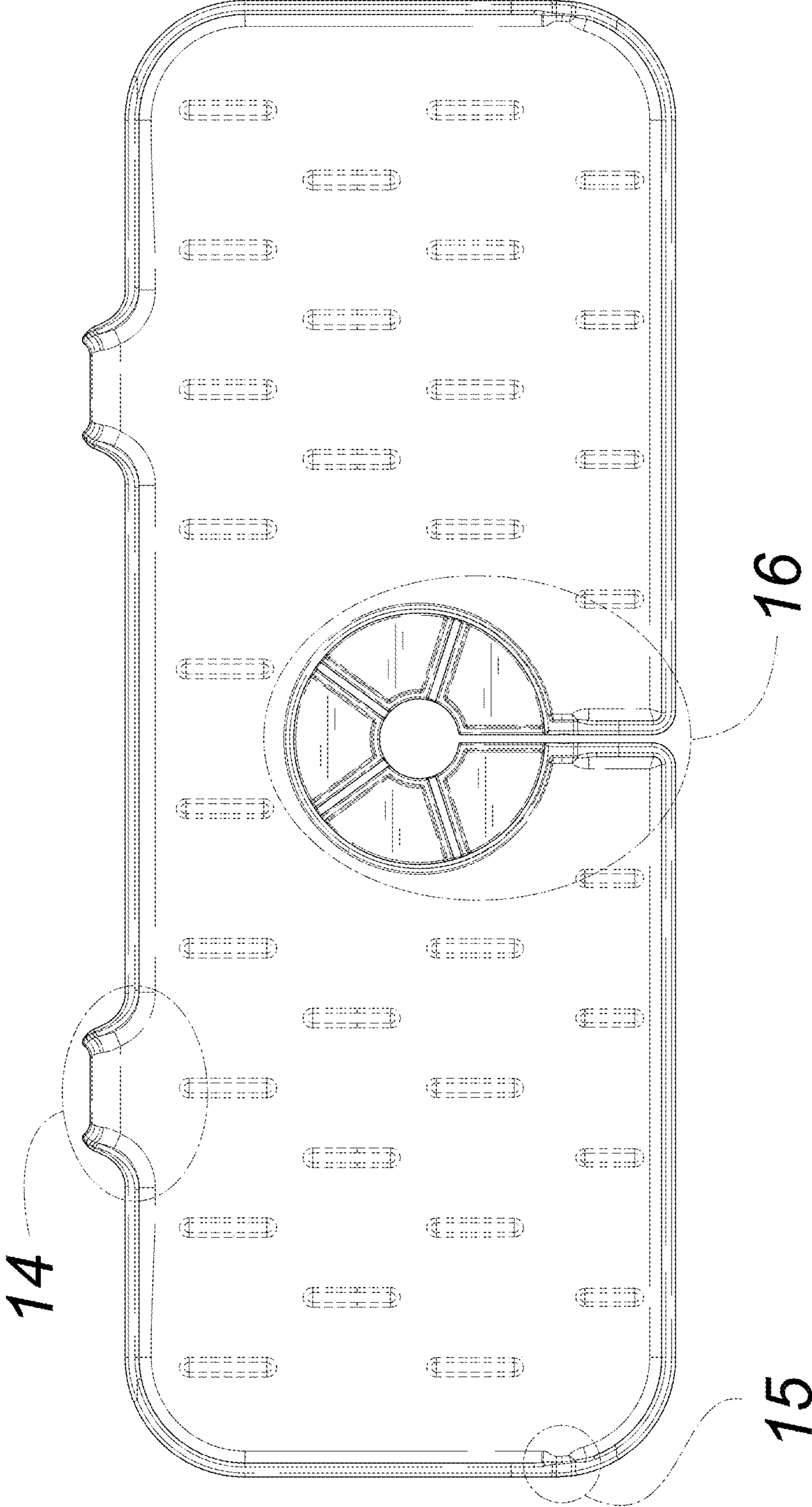


FIG. 3

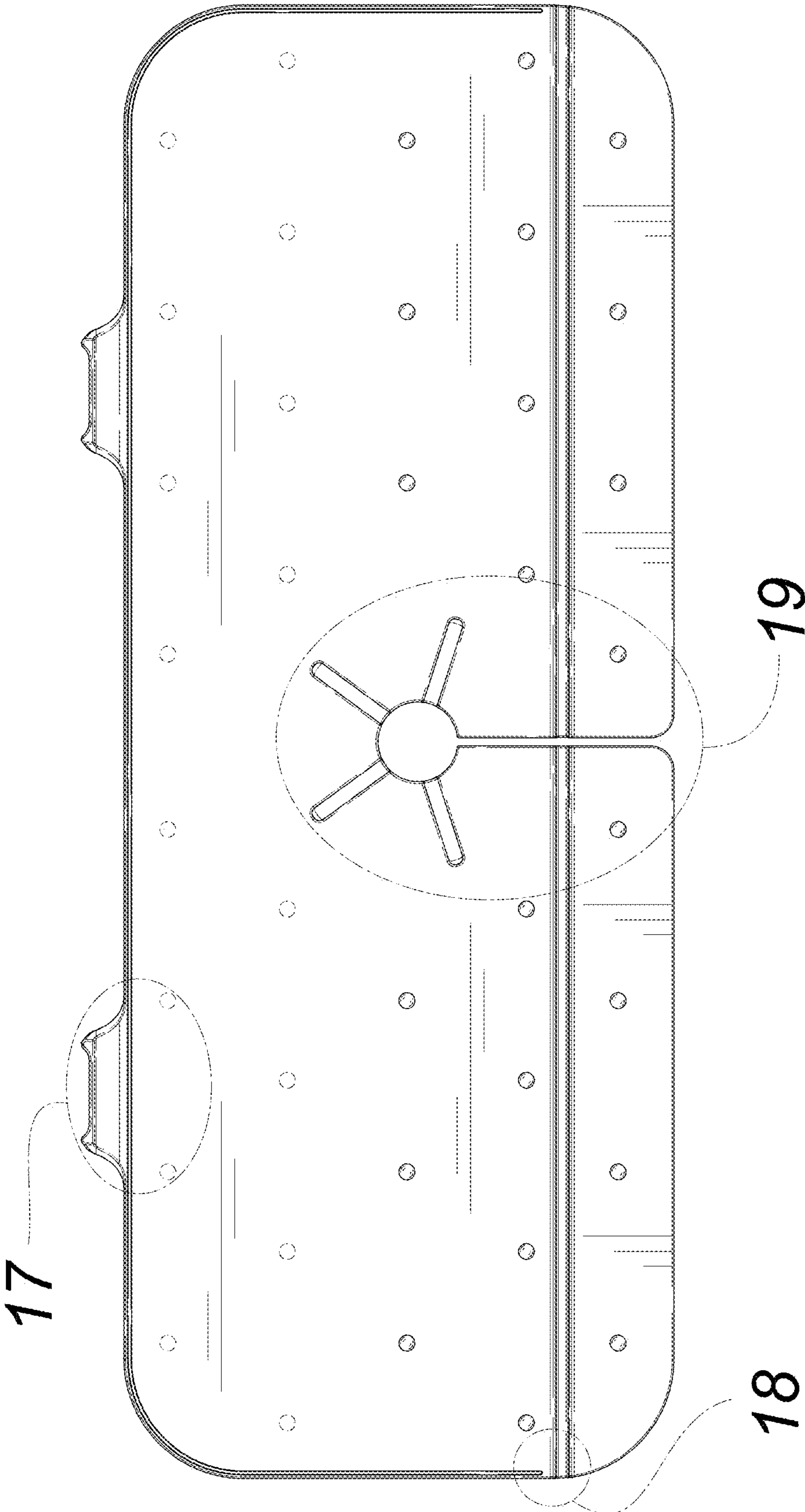


FIG. 4

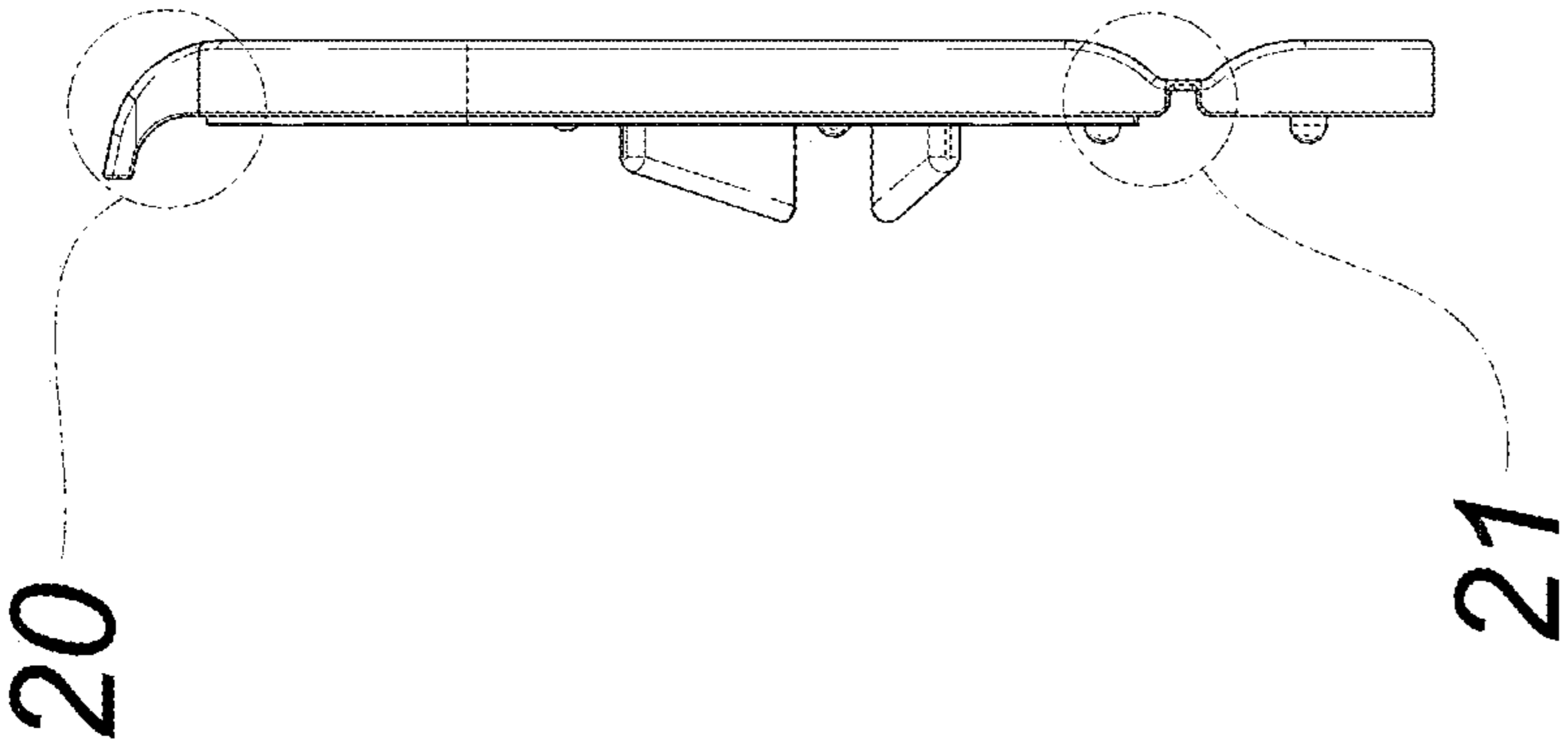


FIG. 5

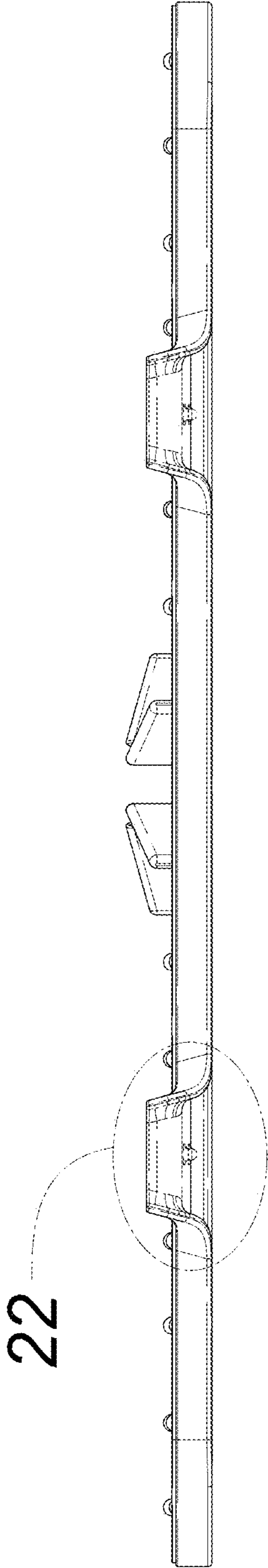


FIG. 6

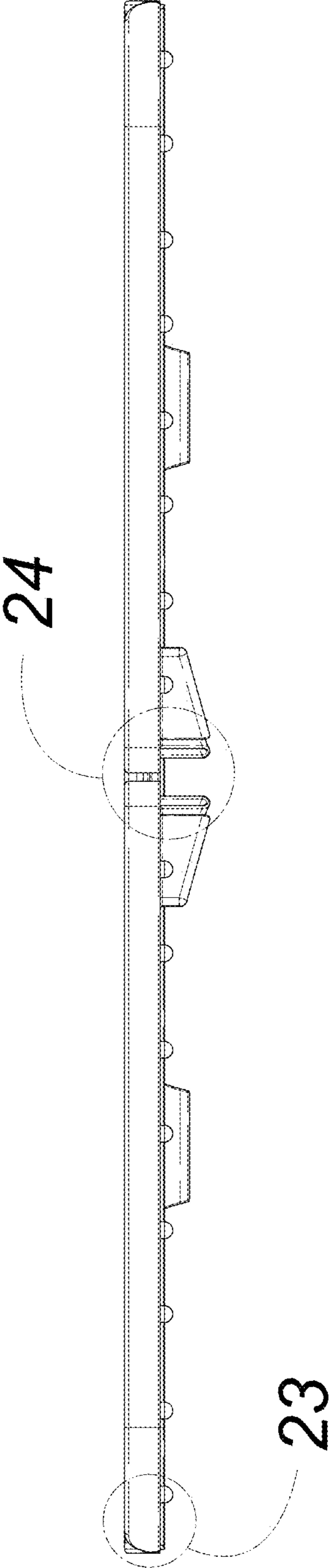


FIG. 7

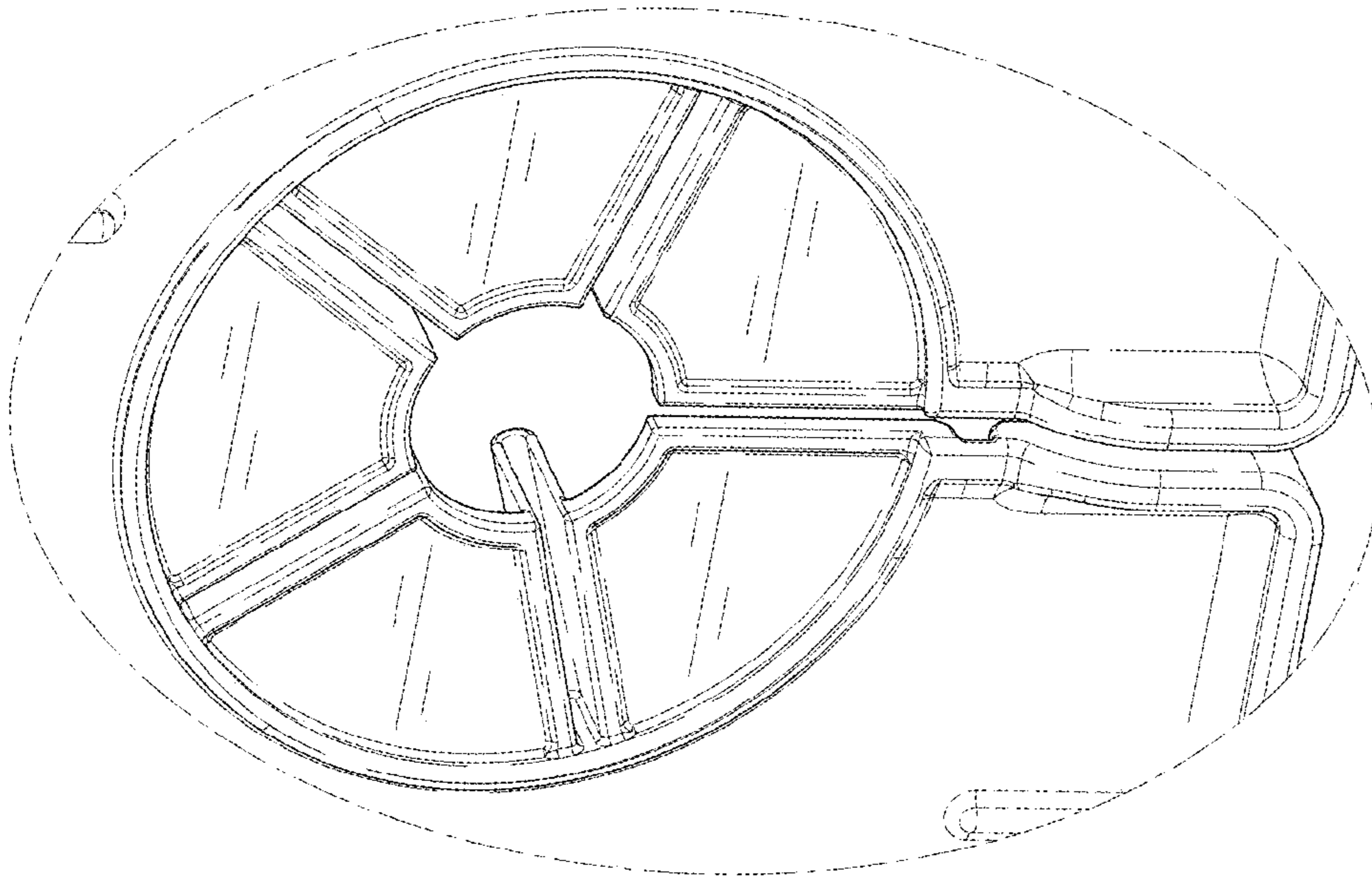


FIG. 9

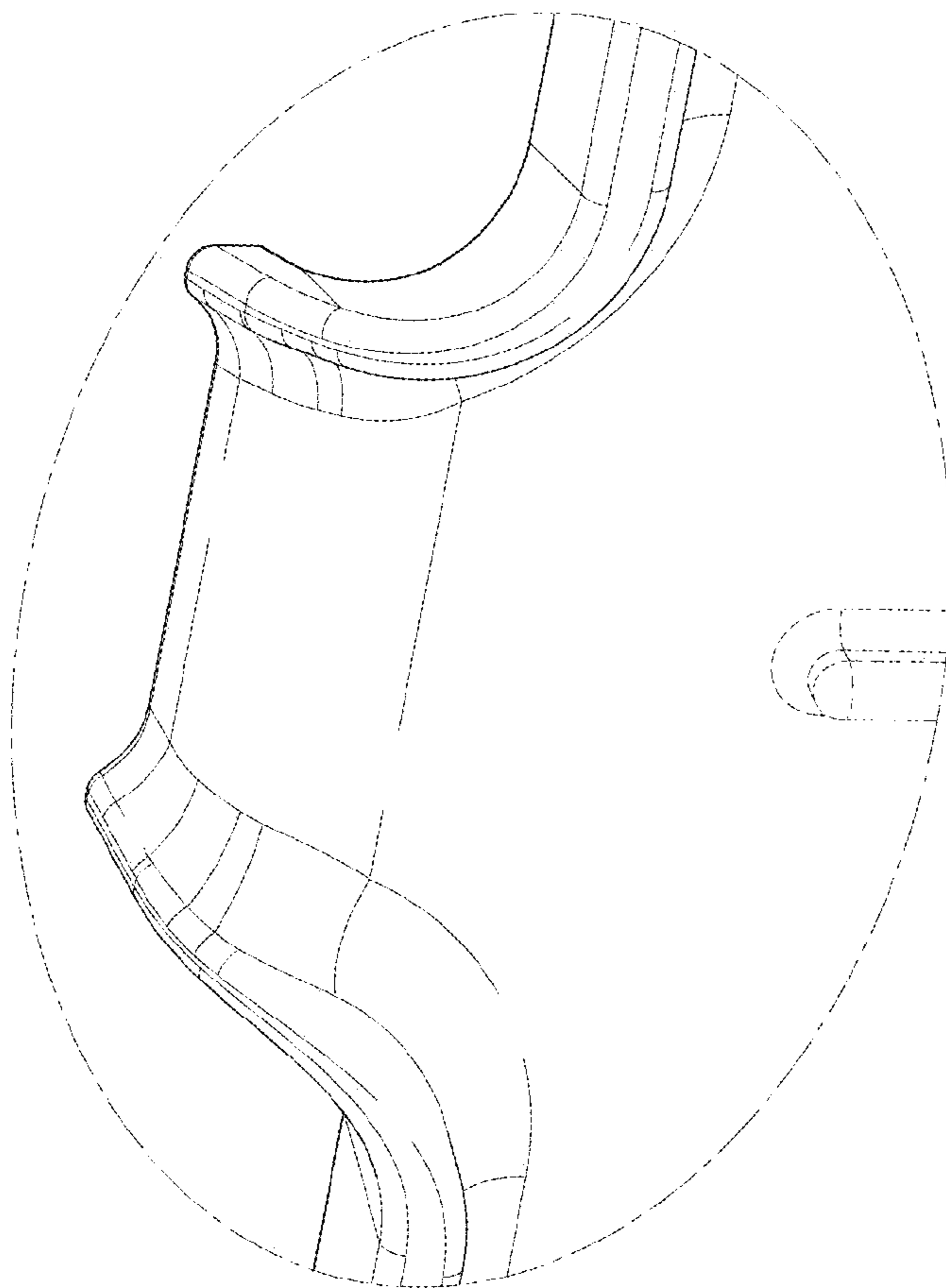


FIG. 8

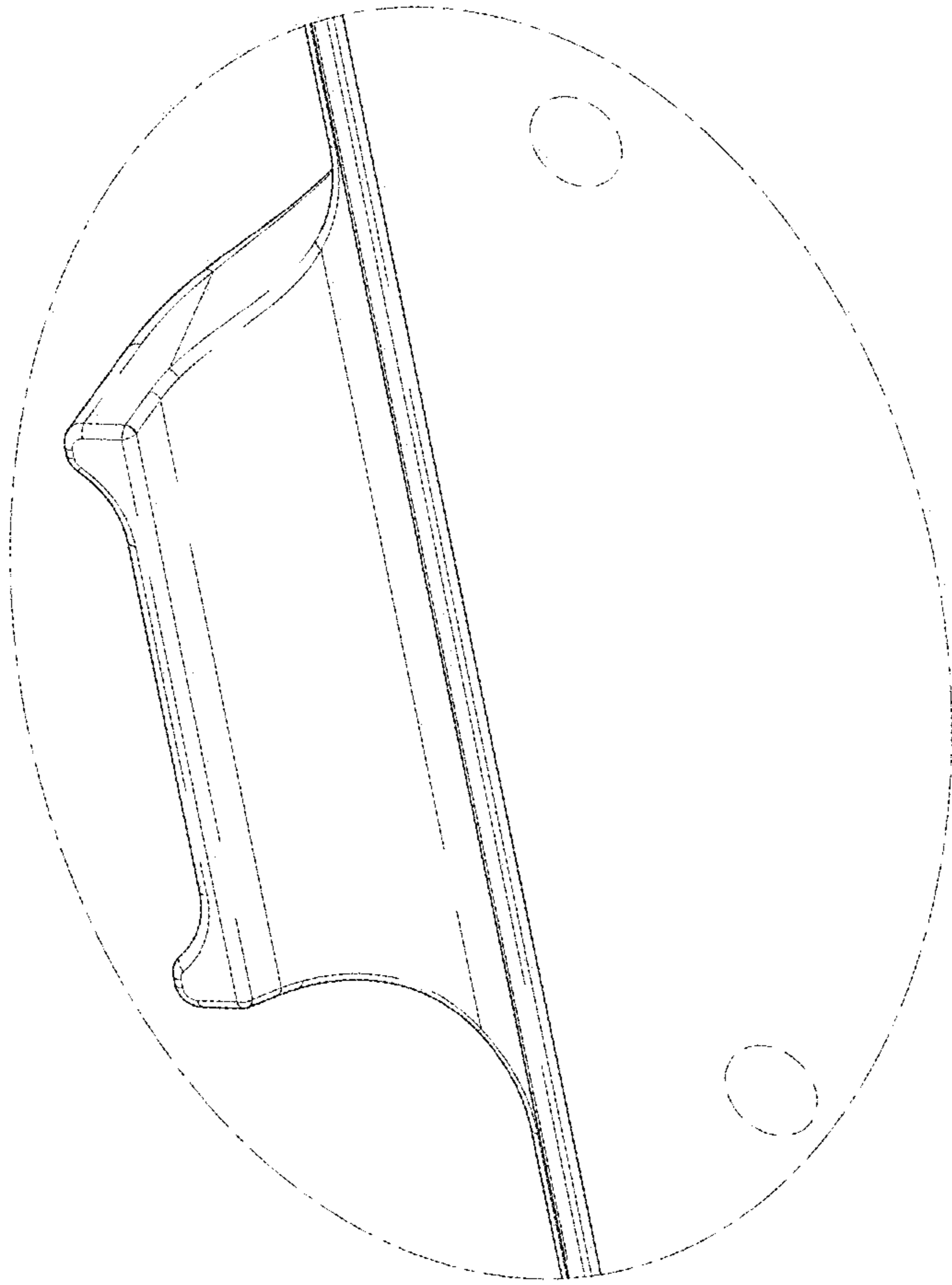


FIG. 10

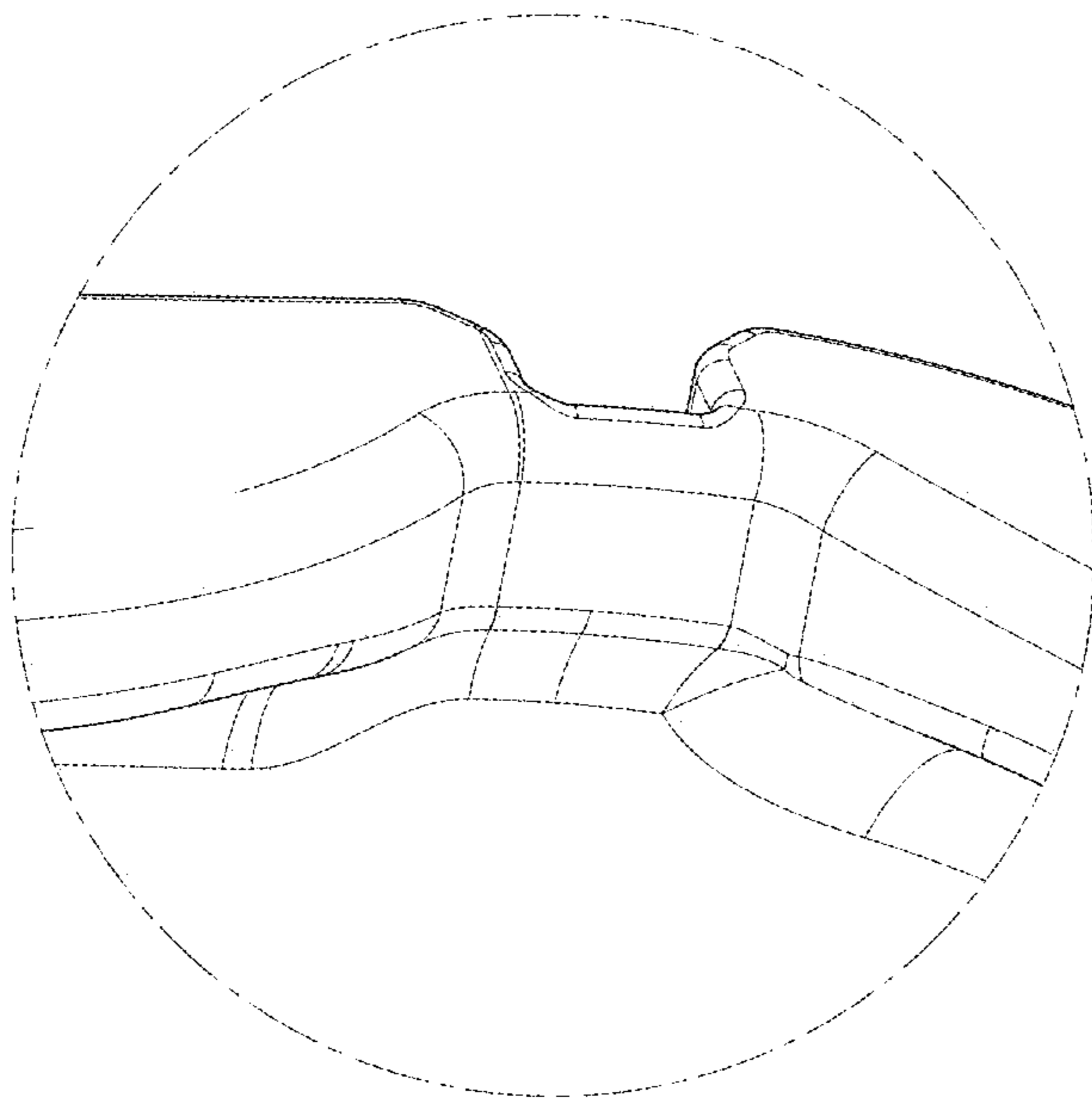


FIG. 11

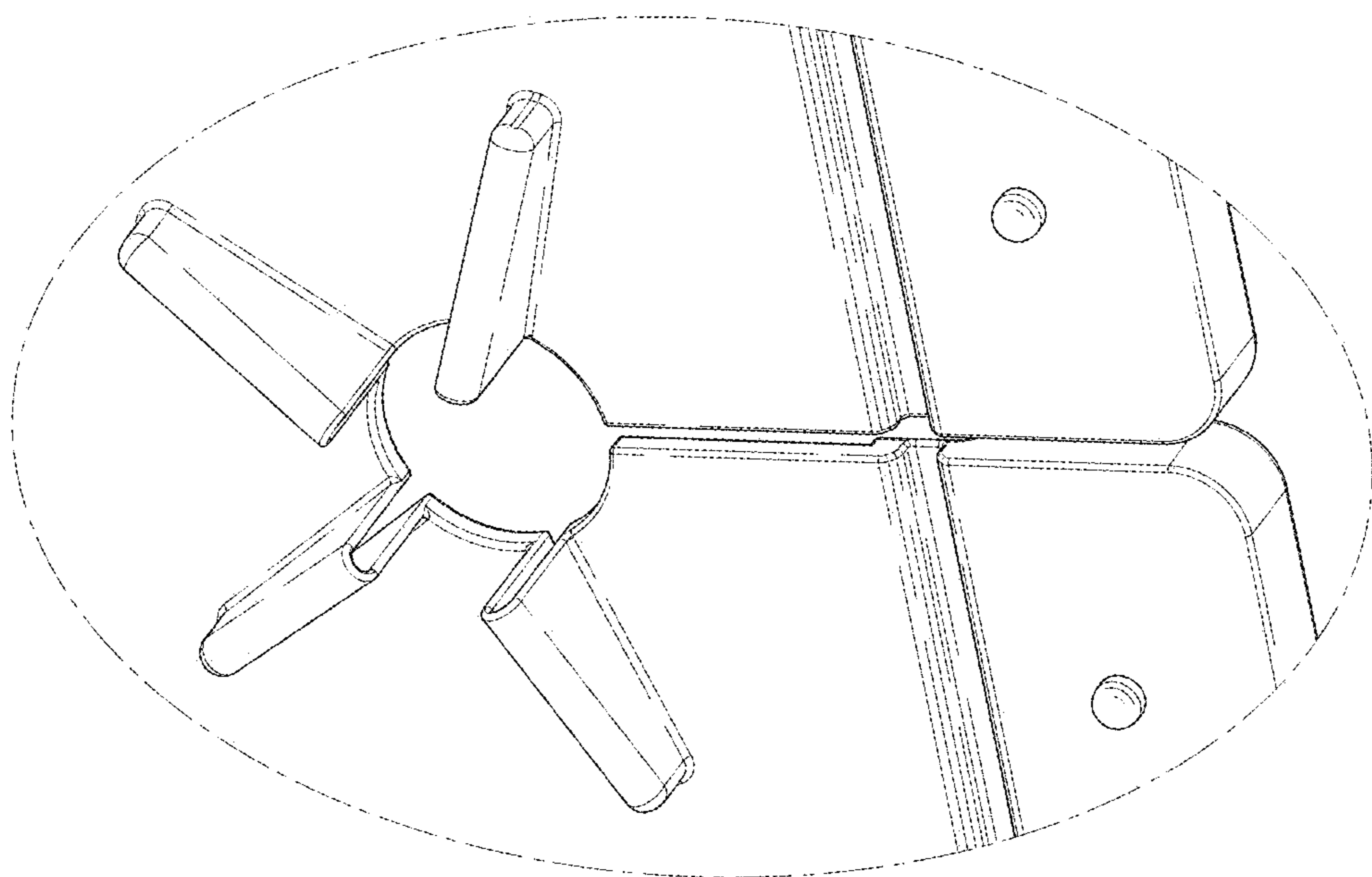


FIG. 12

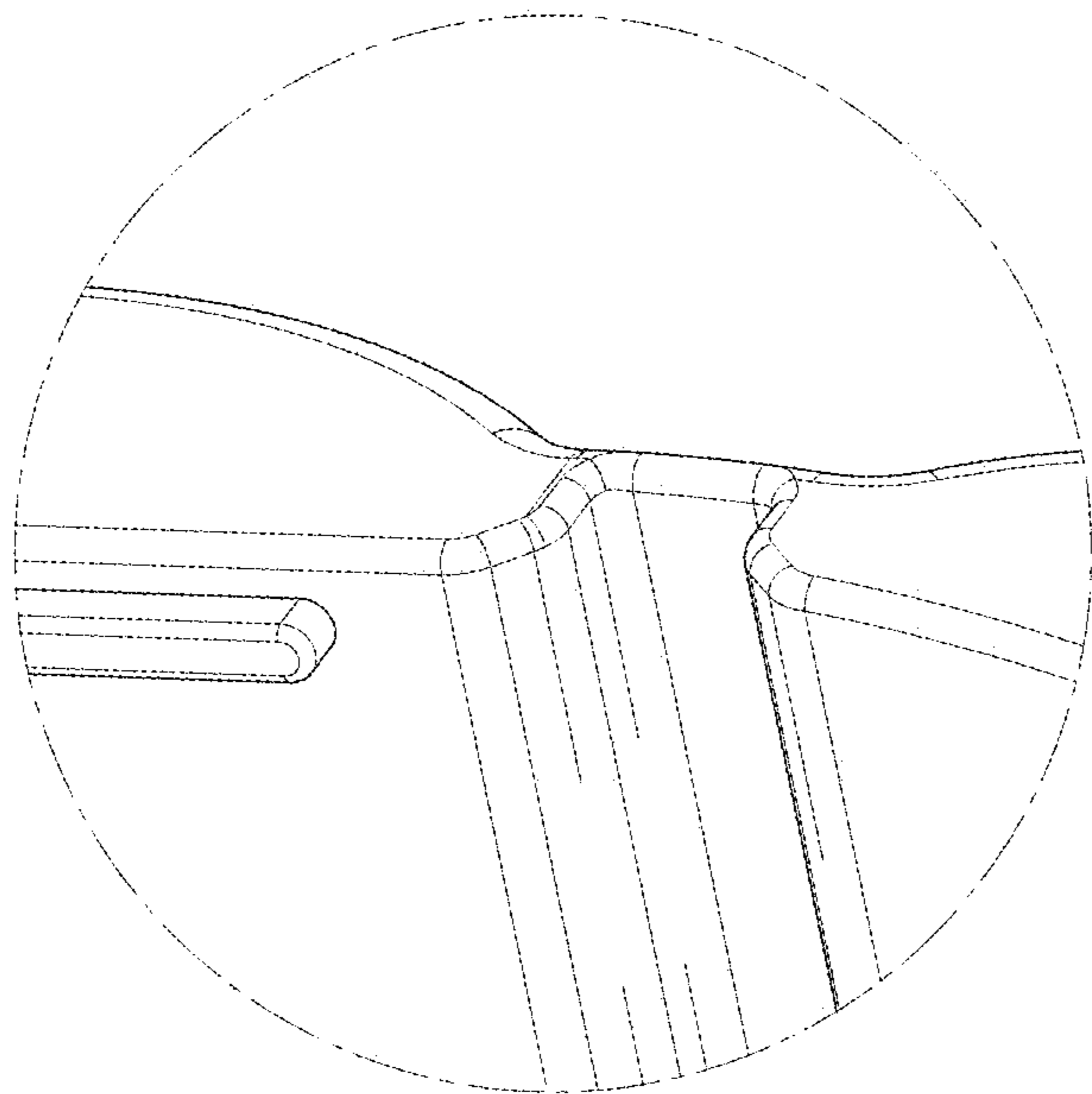


FIG. 13

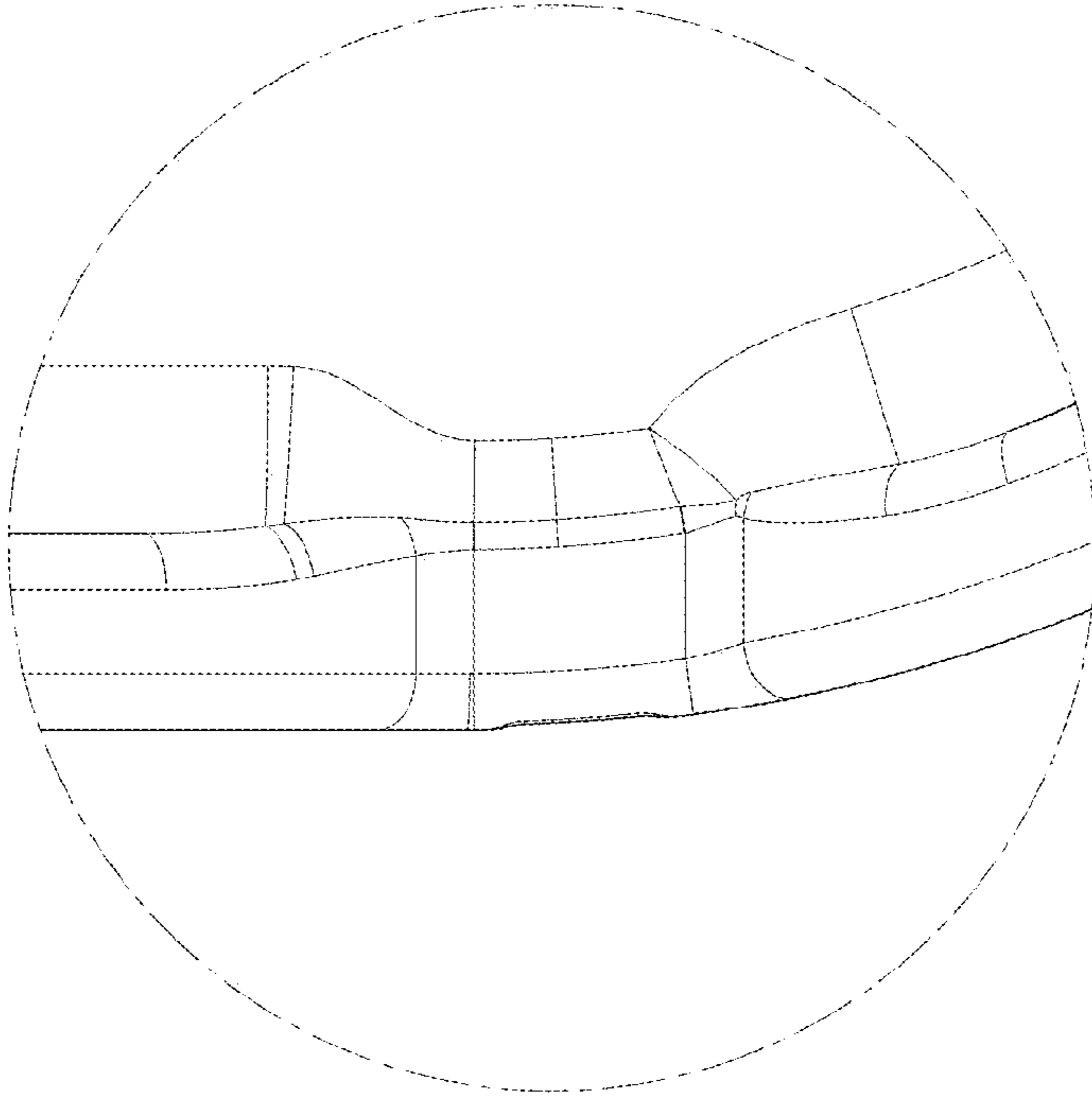


FIG. 15

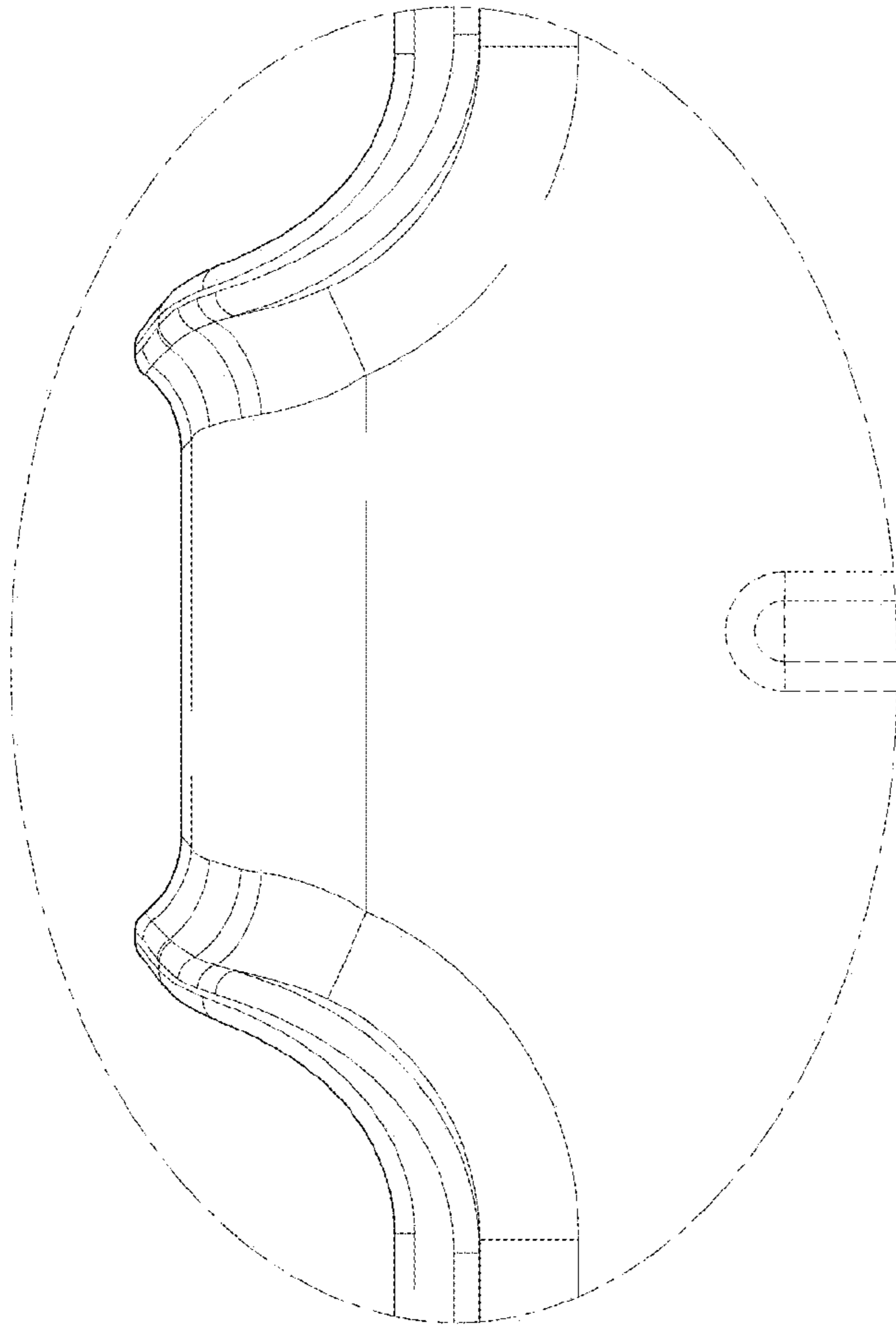


FIG. 14

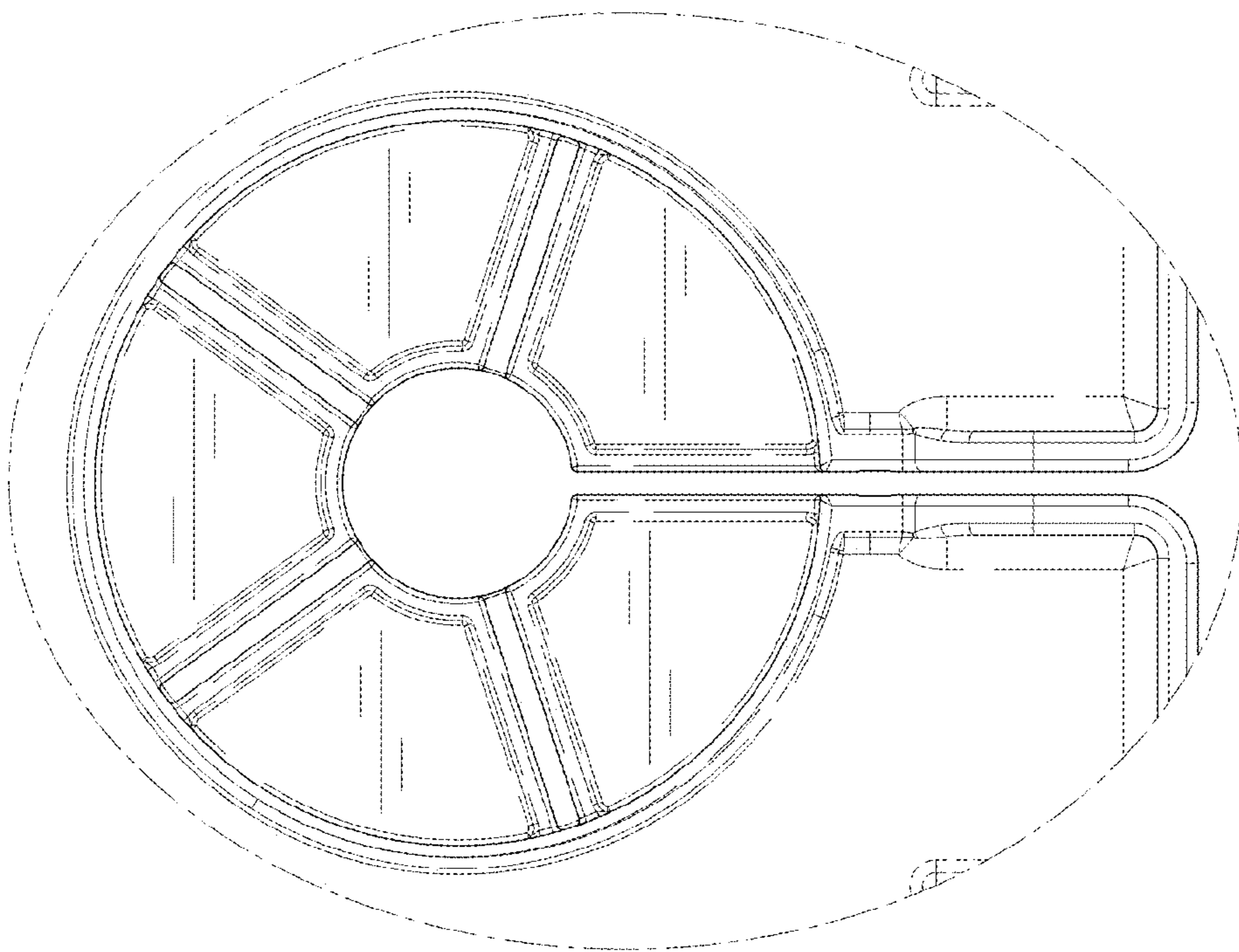


FIG. 16

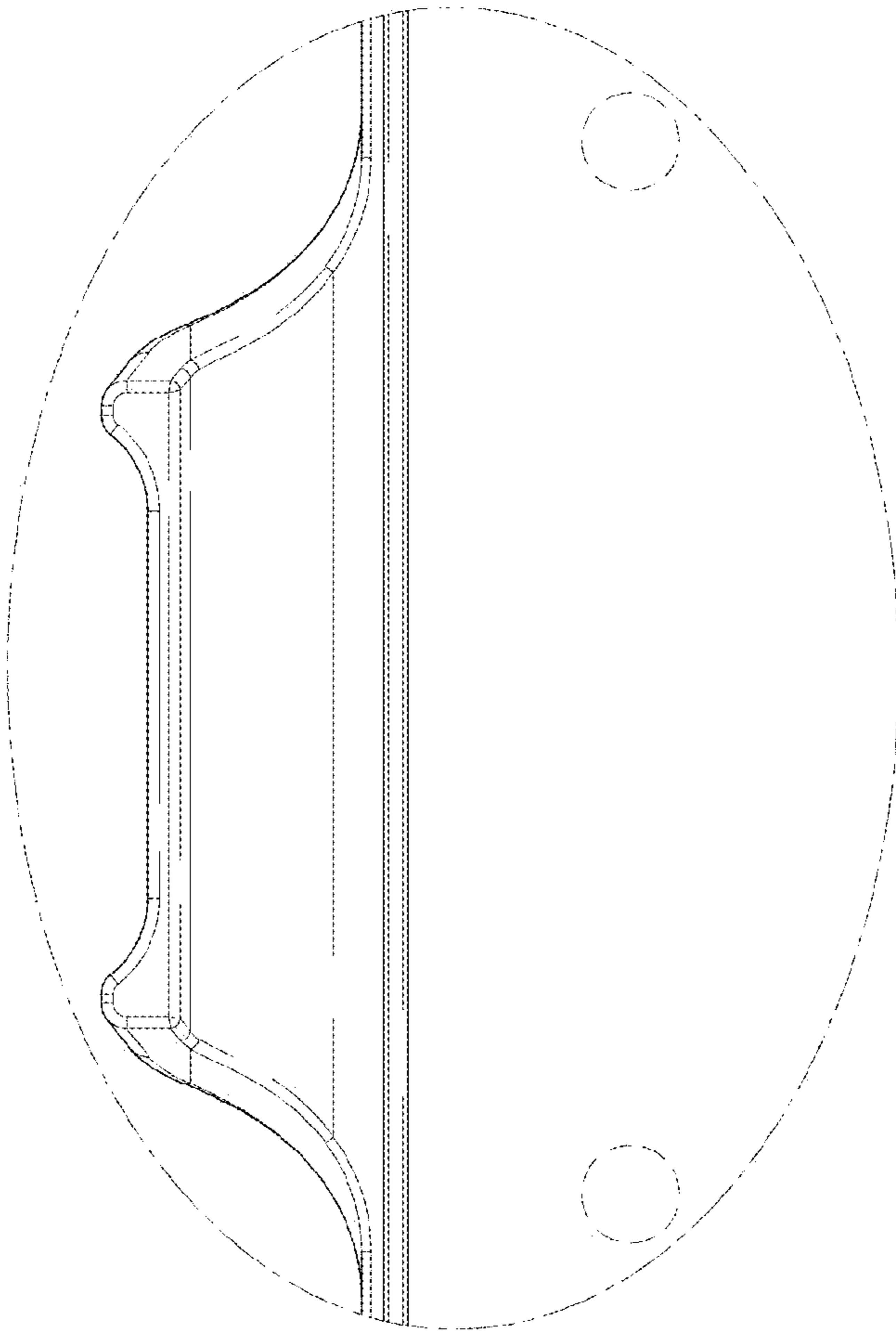


FIG. 17

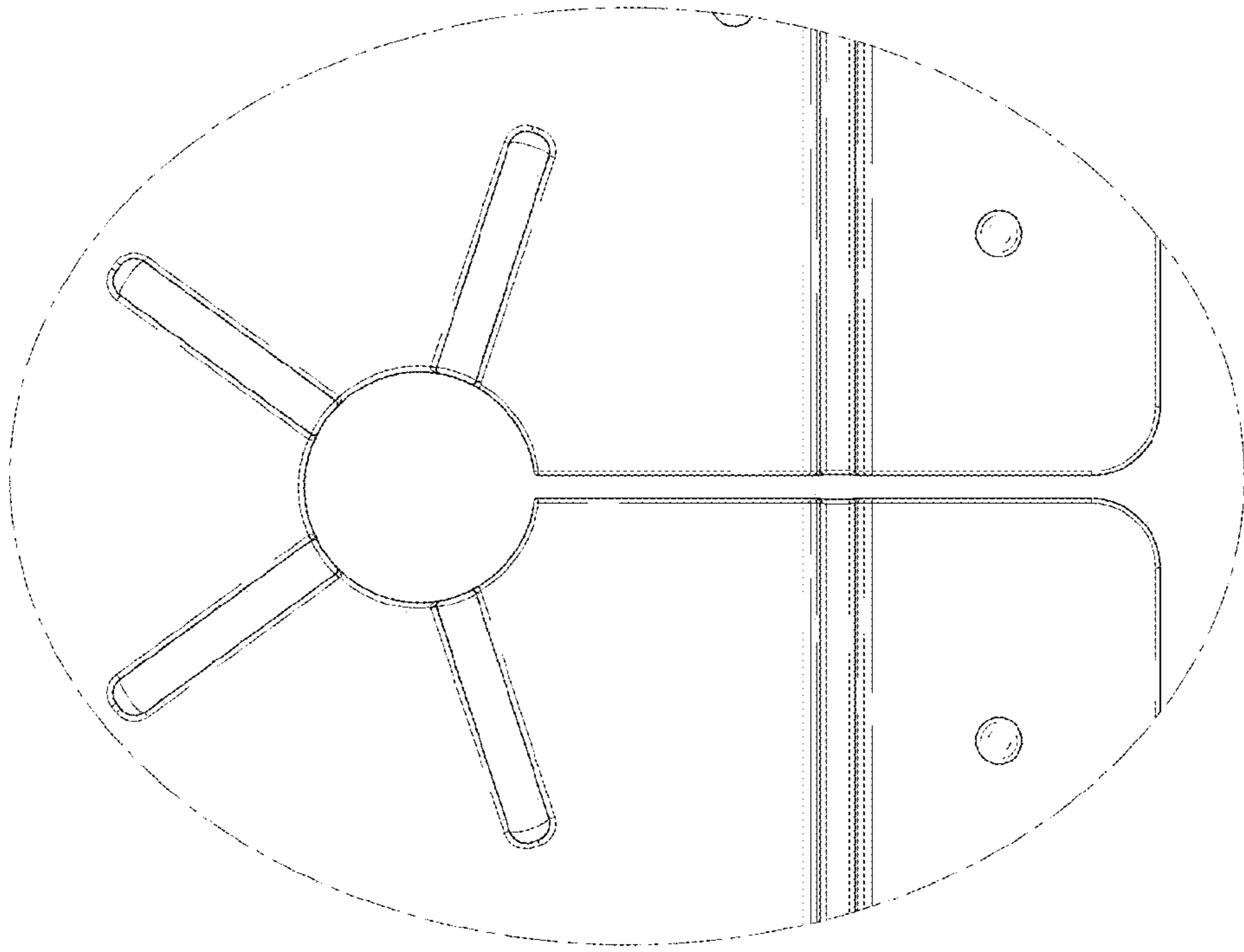


FIG. 18

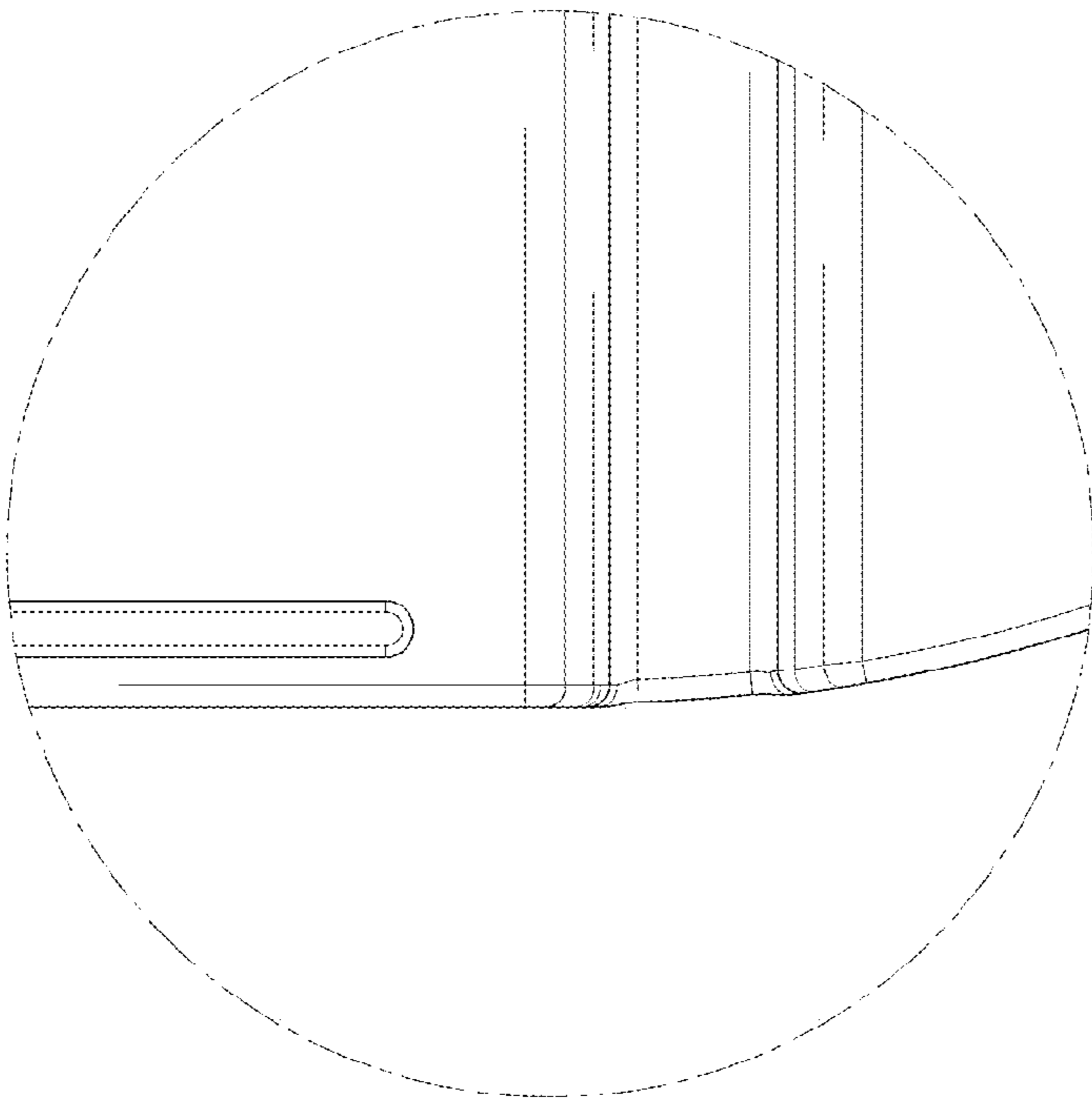


FIG. 19

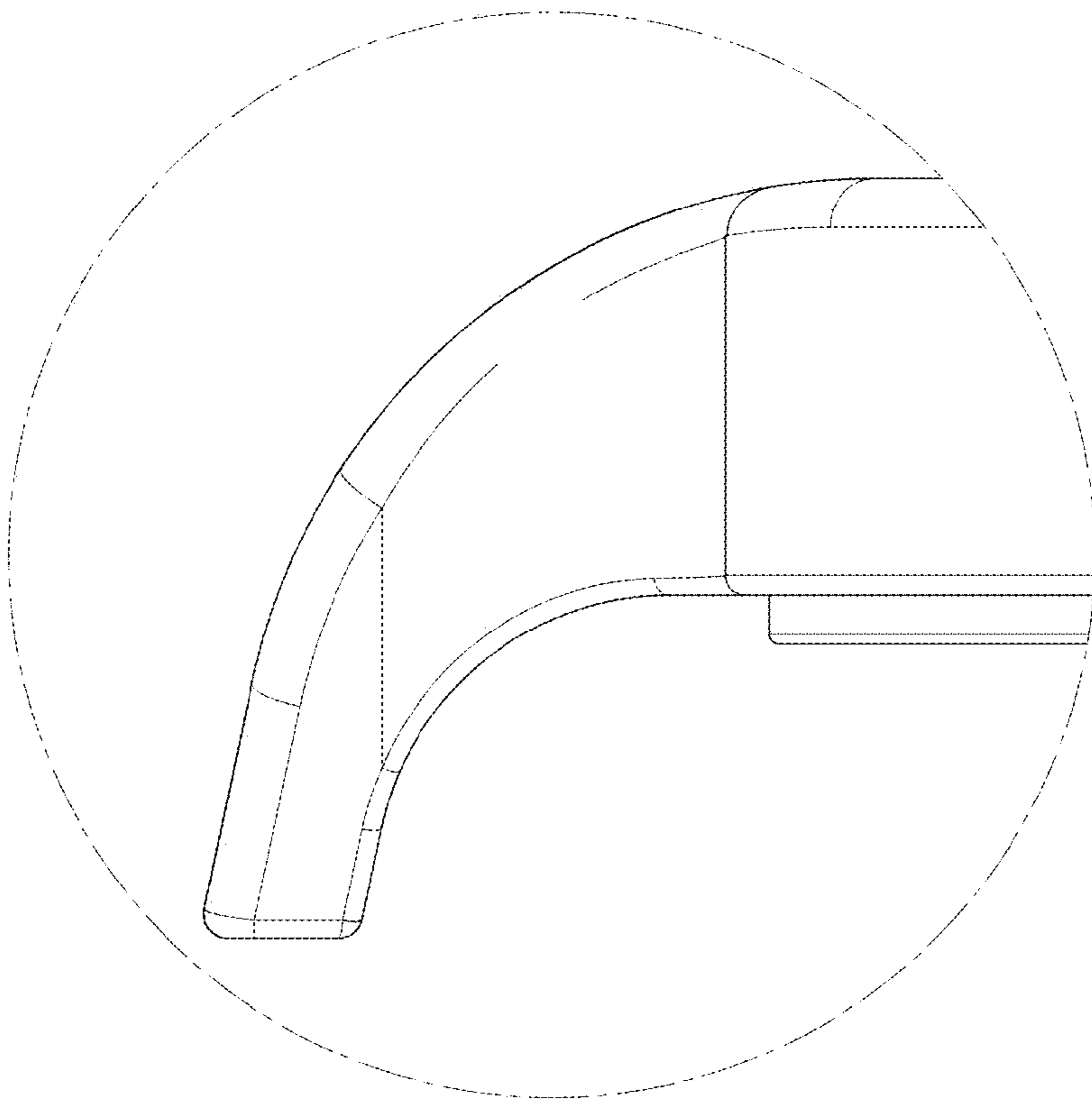


FIG. 20

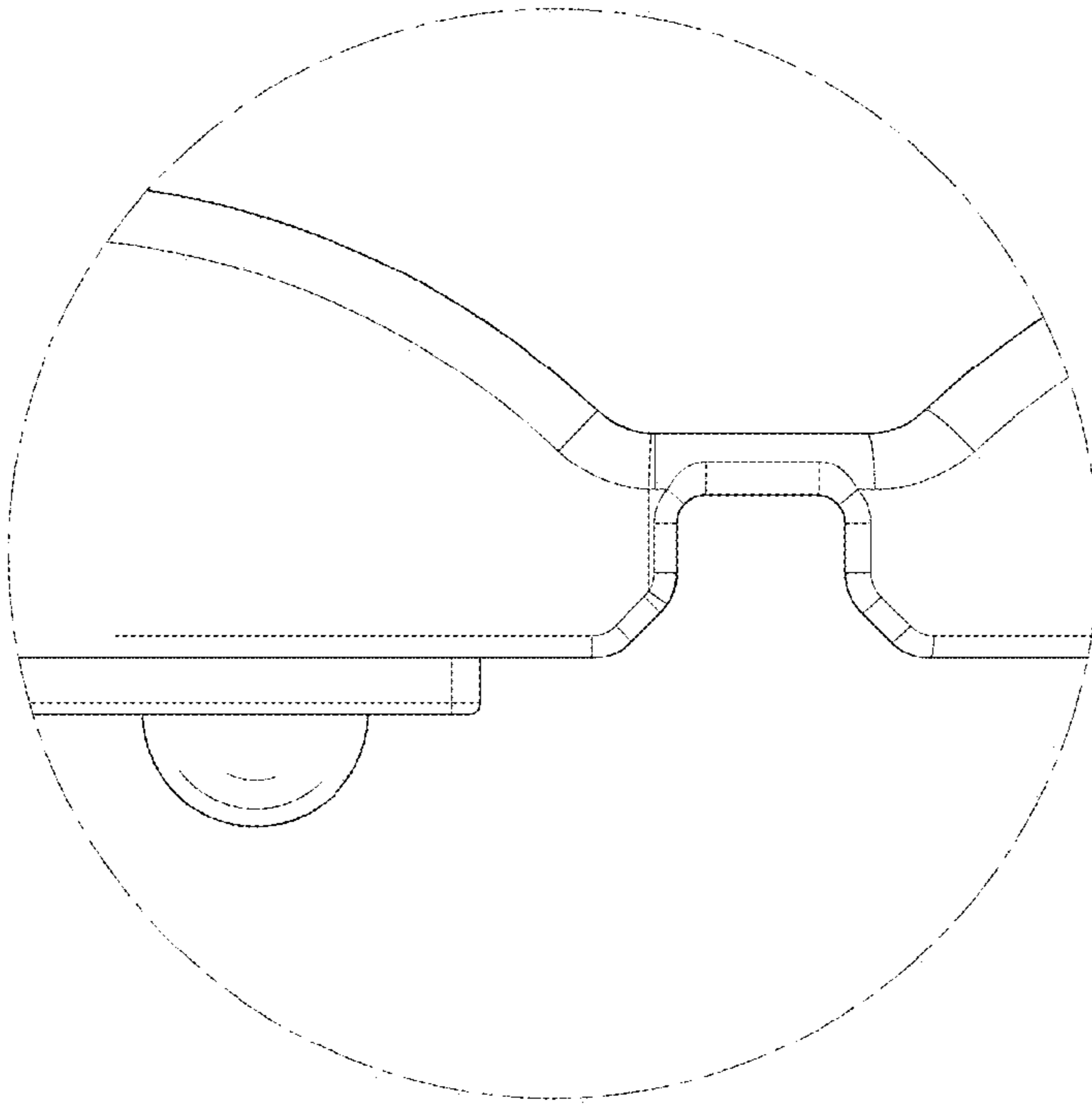


FIG. 21

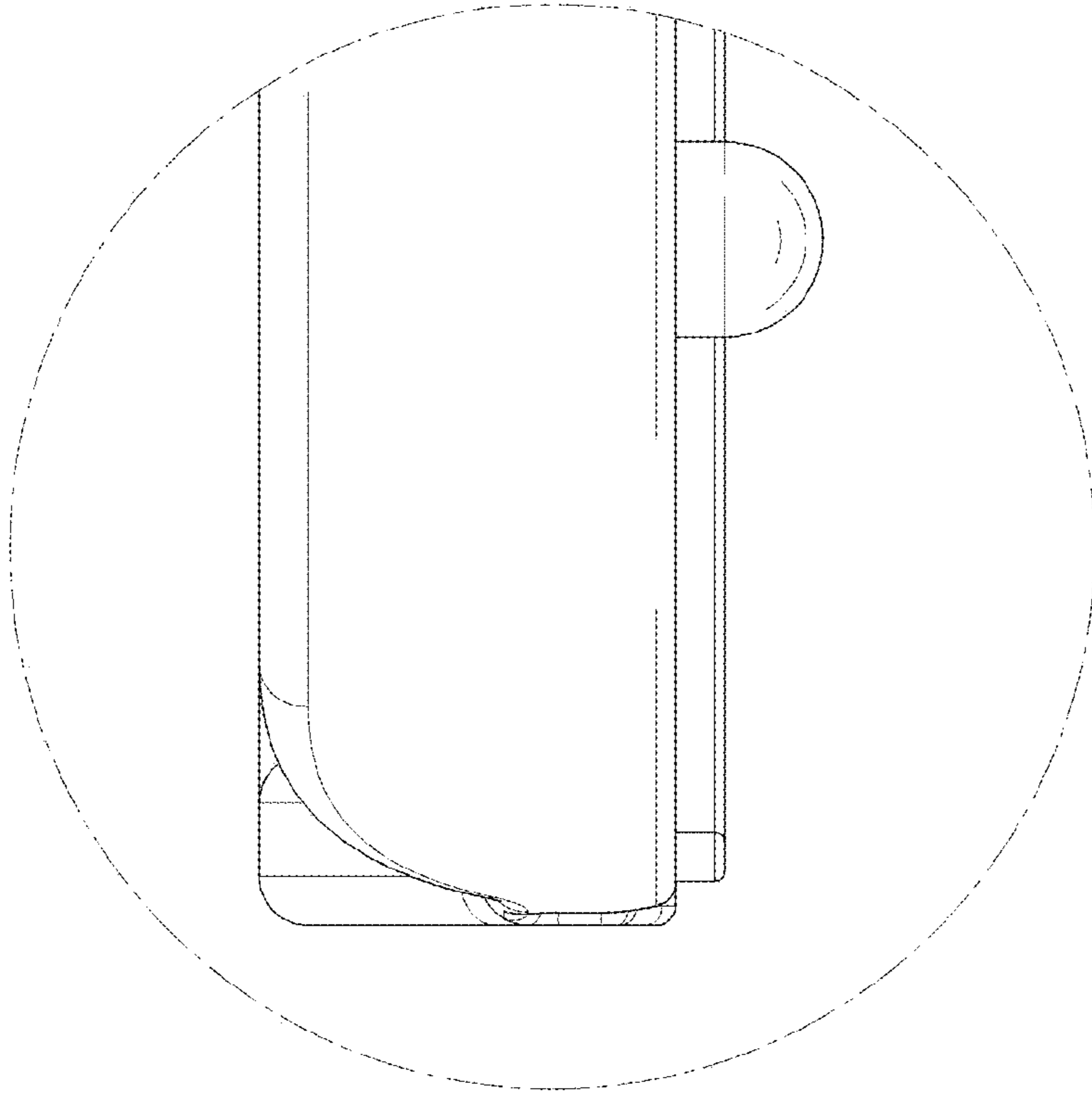


FIG. 22

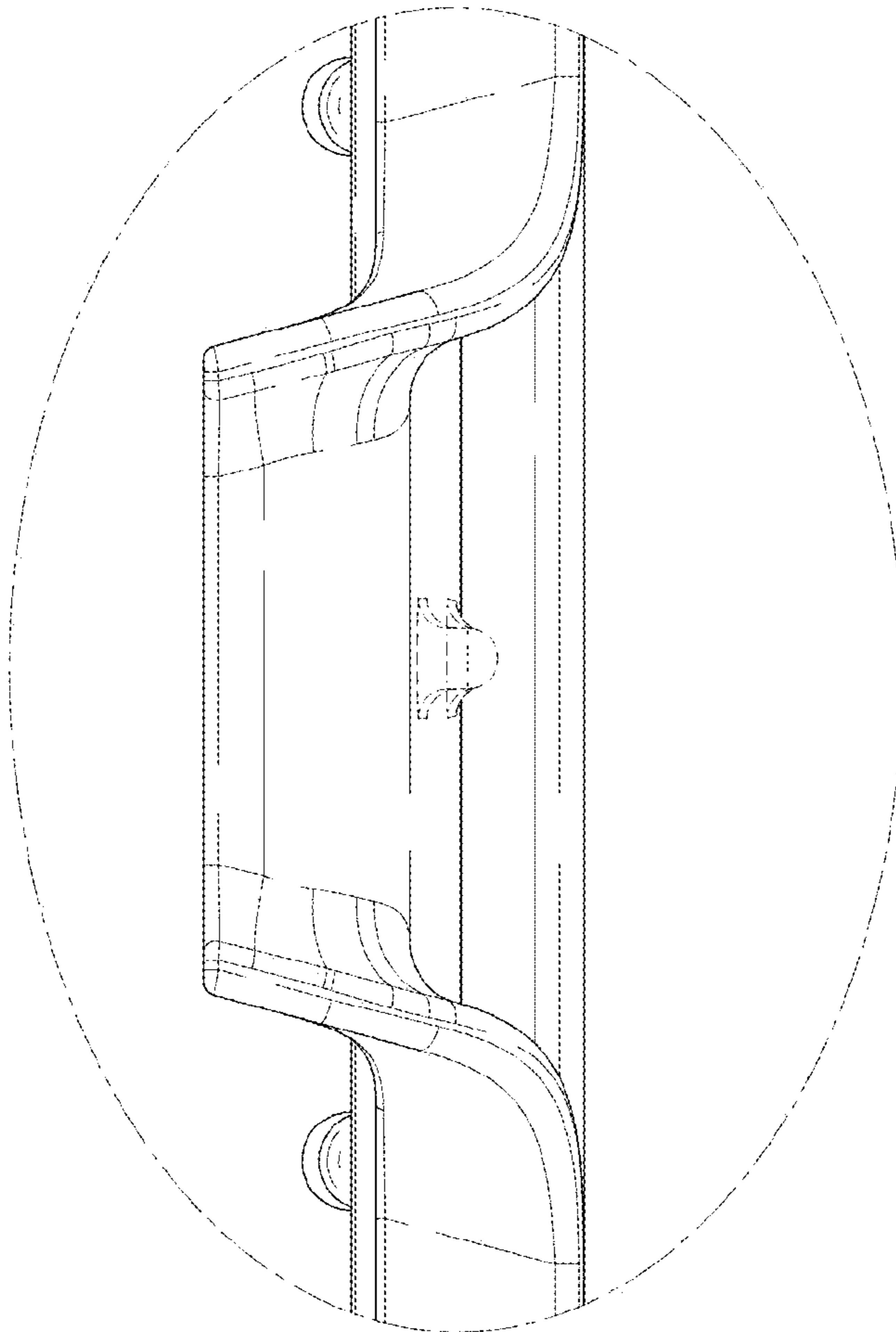


FIG. 23

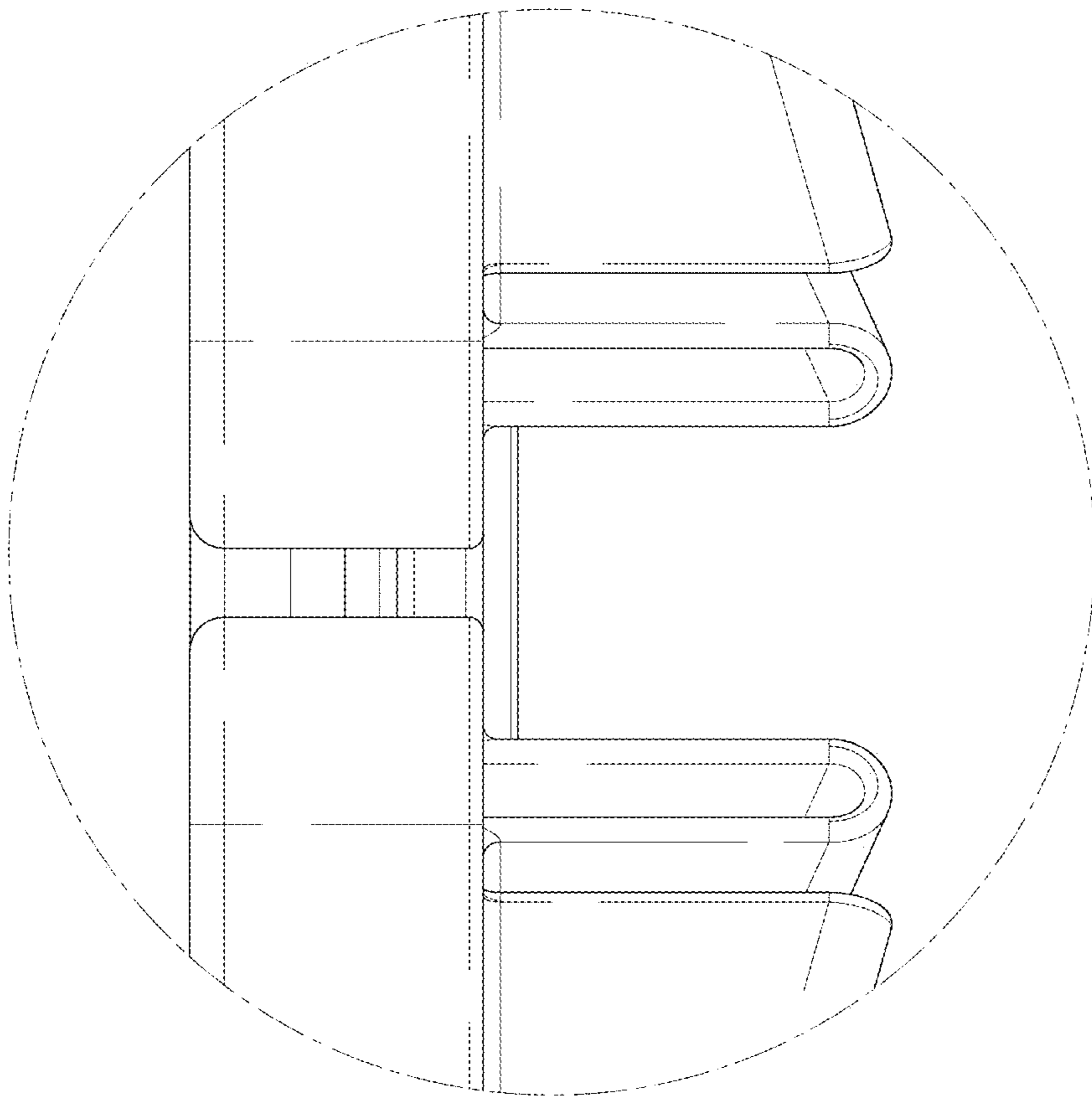


FIG. 24