



US00D984595S

(12) **United States Design Patent** (10) **Patent No.:** **US D984,595 S**  
**Salvador et al.** (45) **Date of Patent:** **\*\* Apr. 25, 2023**

(54) **BIDET MIXER**

FOREIGN PATENT DOCUMENTS

(71) Applicant: **GROHE AG**, Hemer (DE)

CN 306762624 \* 8/2021  
IN 336471-004-0001 \* 1/2021

(72) Inventors: **Duarte Salvador**, Düsseldorf (DE);  
**Patrick de Arins Speck**, London (GB)

OTHER PUBLICATIONS

(73) Assignee: **GROHE AG**, Hemer (DE)

Roca Insignia Medium Height Monobloc Basin Mixer, announced date unavailable [online], [site visited Feb. 17, 2023]. Available from internet, URL:< <https://www.bathroomplanet.com/product/roca-insignia-medium-height-monobloc-basin-mixer-tap.html>> (Year: 2023).\*

(\*\*) Term: **15 Years**

(21) Appl. No.: **29/806,589**

\* cited by examiner

(22) Filed: **Sep. 3, 2021**

(30) **Foreign Application Priority Data**

Mar. 8, 2021 (EM) ..... 008452486-0002

(51) **LOC (14) Cl.** ..... **23-01**

(52) **U.S. Cl.**  
USPC ..... **D23/252**

(58) **Field of Classification Search**  
USPC ..... D23/238-244, 252, 254-255, 257, 499  
CPC .... F16K 31/602; F16K 31/605; F16K 31/607;  
E03C 1/0412  
See application file for complete search history.

*Primary Examiner* — David G Muller

*Assistant Examiner* — Jamaal Rasheed

(74) *Attorney, Agent, or Firm* — Wenderoth, Lind & Ponack, L.L.P.

(57) **CLAIM**

The ornamental design for an bidet mixer, as shown.

**DESCRIPTION**

FIG. 1 is a perspective view of an bidet mixer embodying our design;

FIG. 2 is a left side view thereof;

FIG. 3 is a right side view thereof;

FIG. 4 is a front view thereof;

FIG. 5 is a rear view thereof;

FIG. 6 is a top plan view thereof; and,

FIG. 7 is a bottom plan view thereof.

The broken lines in the drawings depict portions of the bidet mixer that form no part of the claimed design.

(56) **References Cited**

U.S. PATENT DOCUMENTS

D402,002 S \* 12/1998 Gottwald ..... D23/241  
D410,526 S \* 6/1999 Lobermeier ..... D23/238  
D421,294 S \* 2/2000 Meda ..... D23/255  
D589,125 S \* 3/2009 Soulier ..... D23/255  
D594,533 S \* 6/2009 Schoenherr ..... D23/238  
D708,715 S \* 7/2014 Citterio ..... D23/238  
D831,159 S \* 10/2018 Garuti ..... D23/238

**1 Claim, 7 Drawing Sheets**

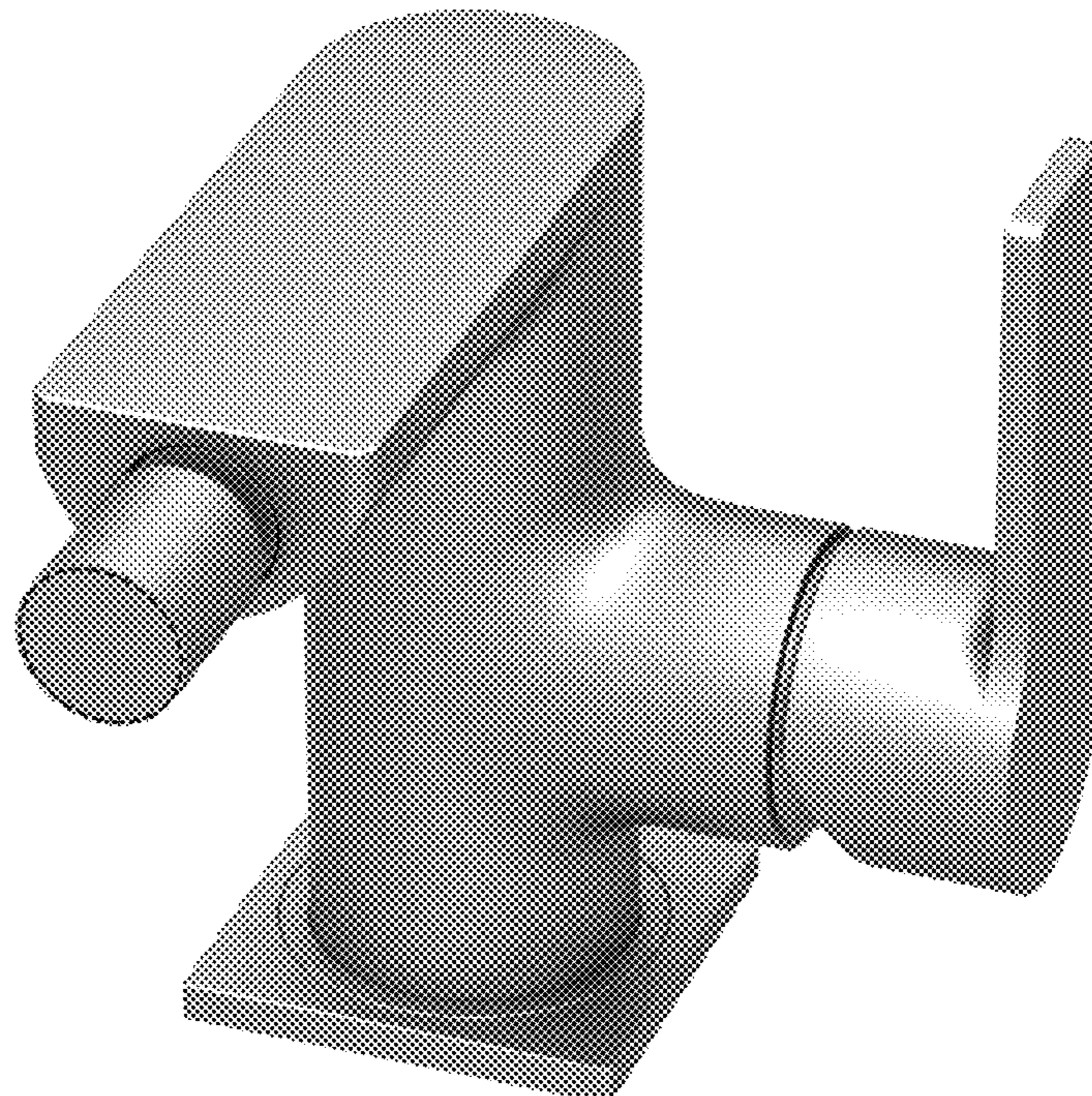


FIG. 1

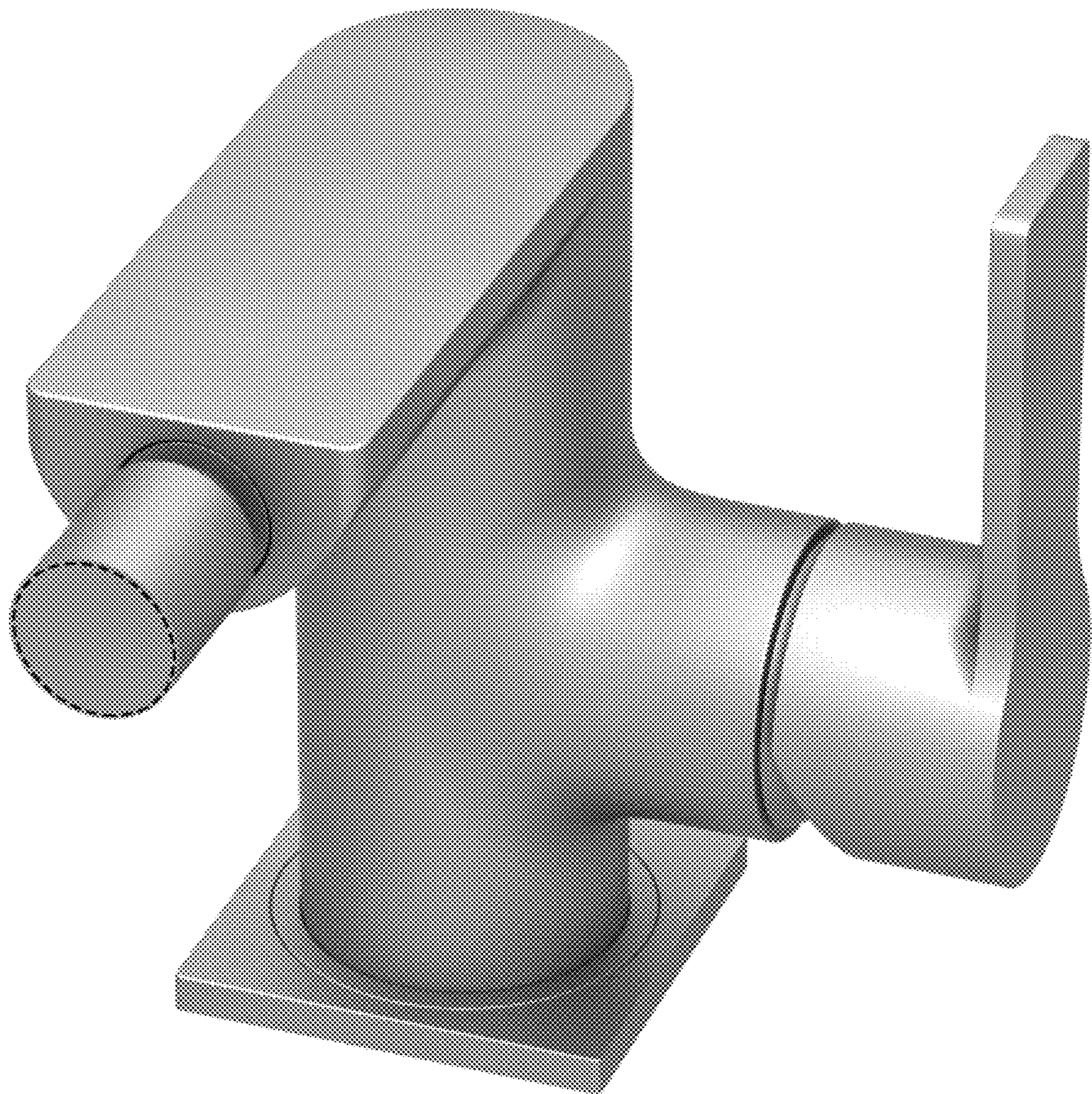


FIG. 2

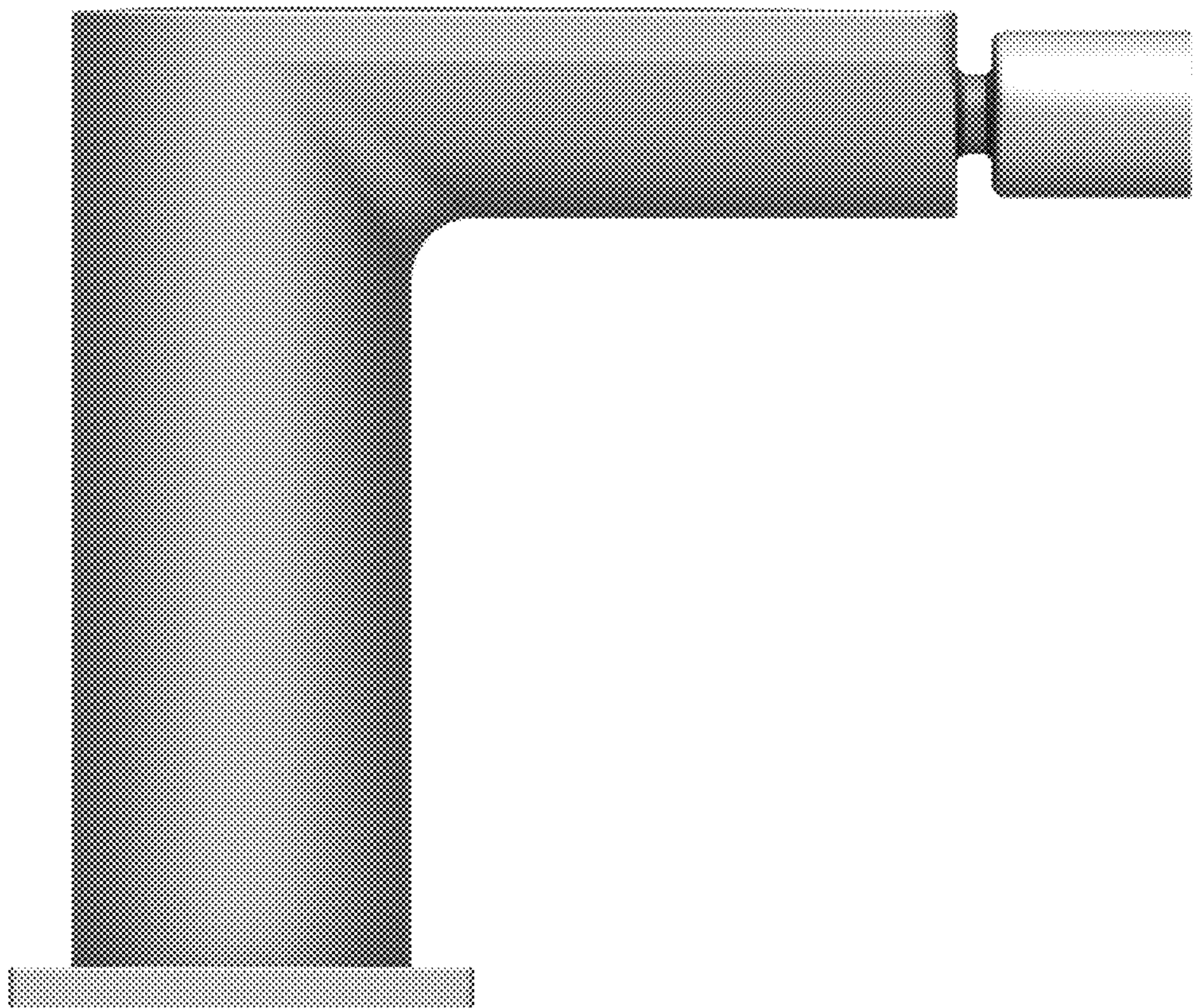


FIG. 3

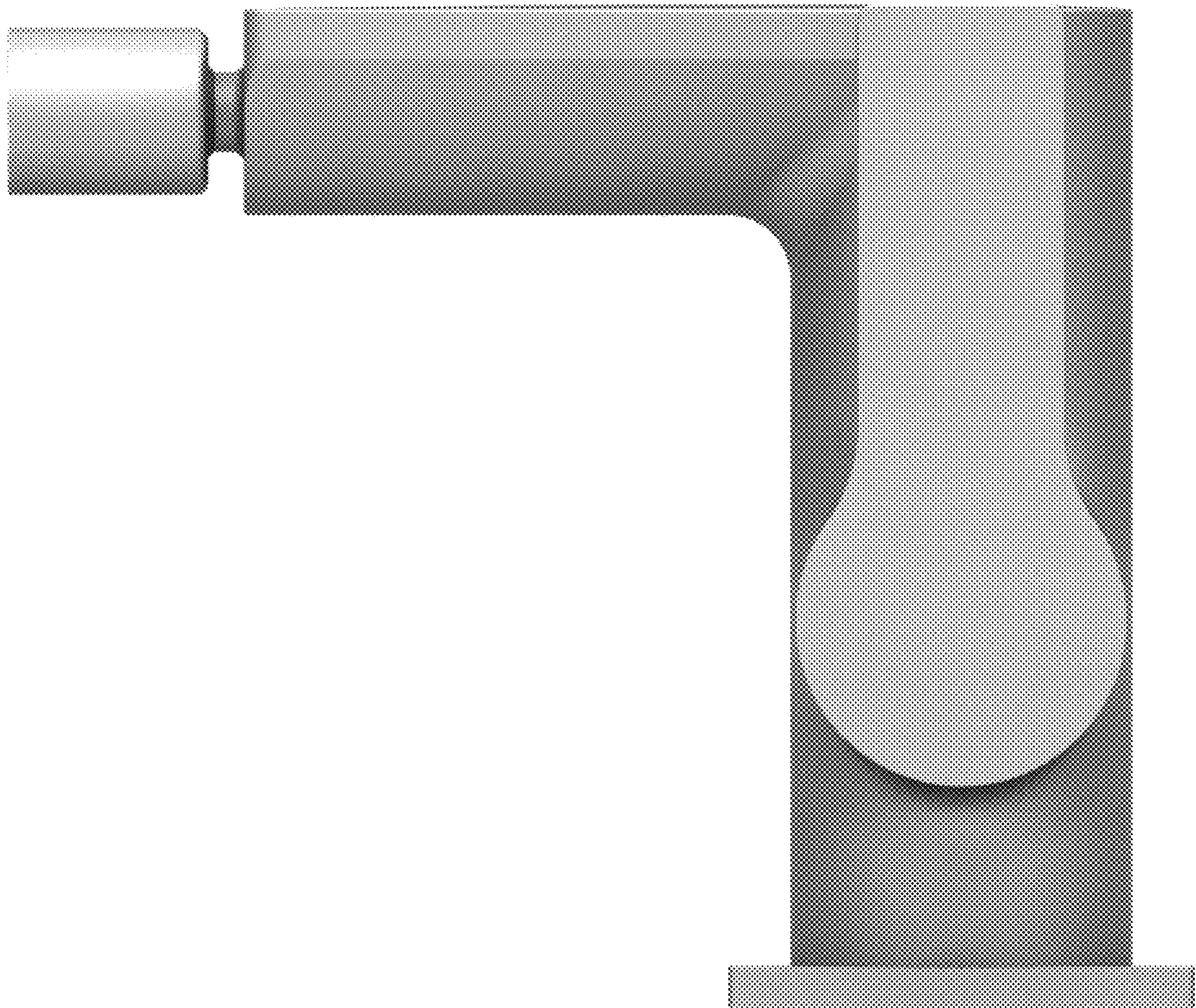


FIG. 4

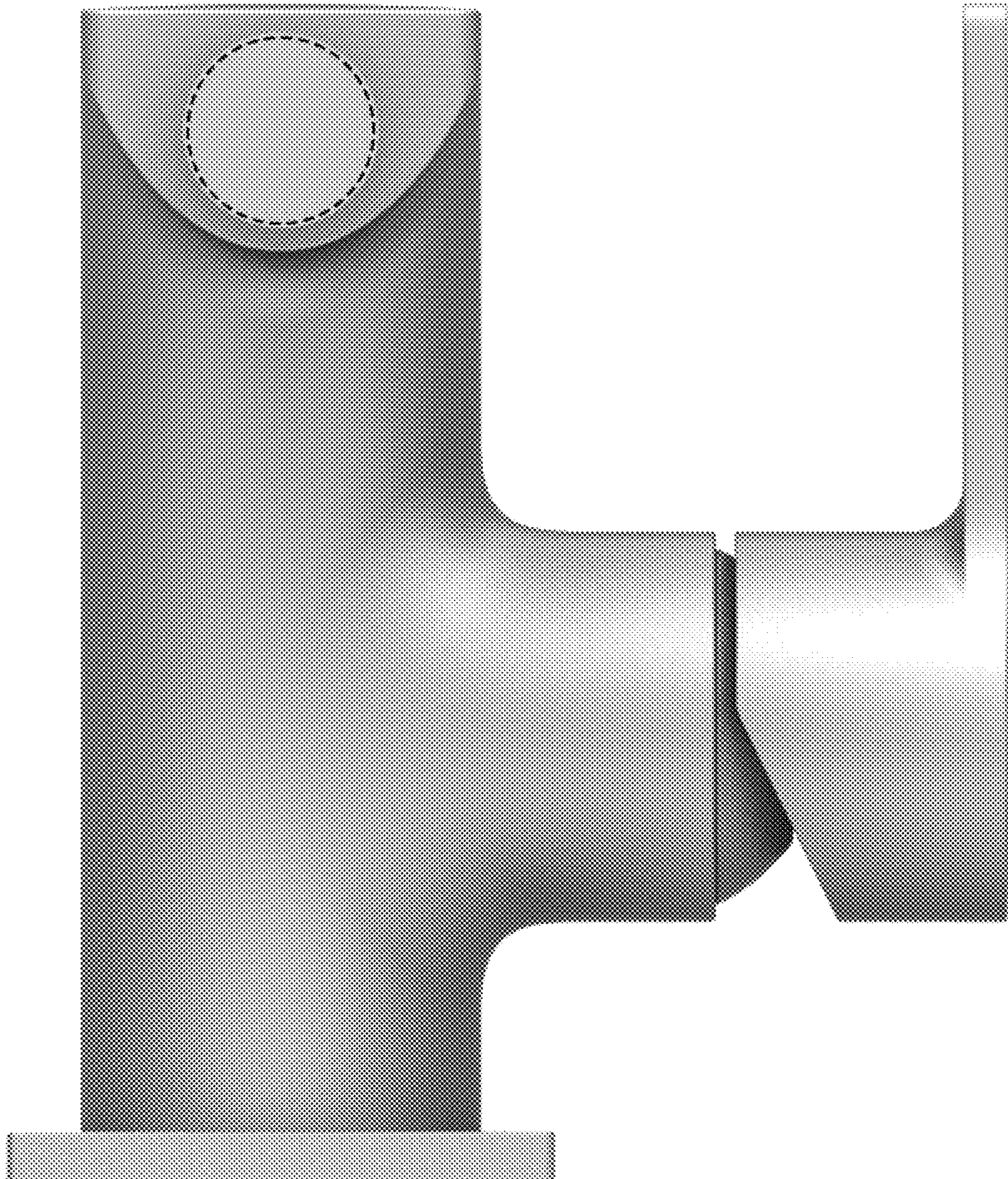


FIG. 5

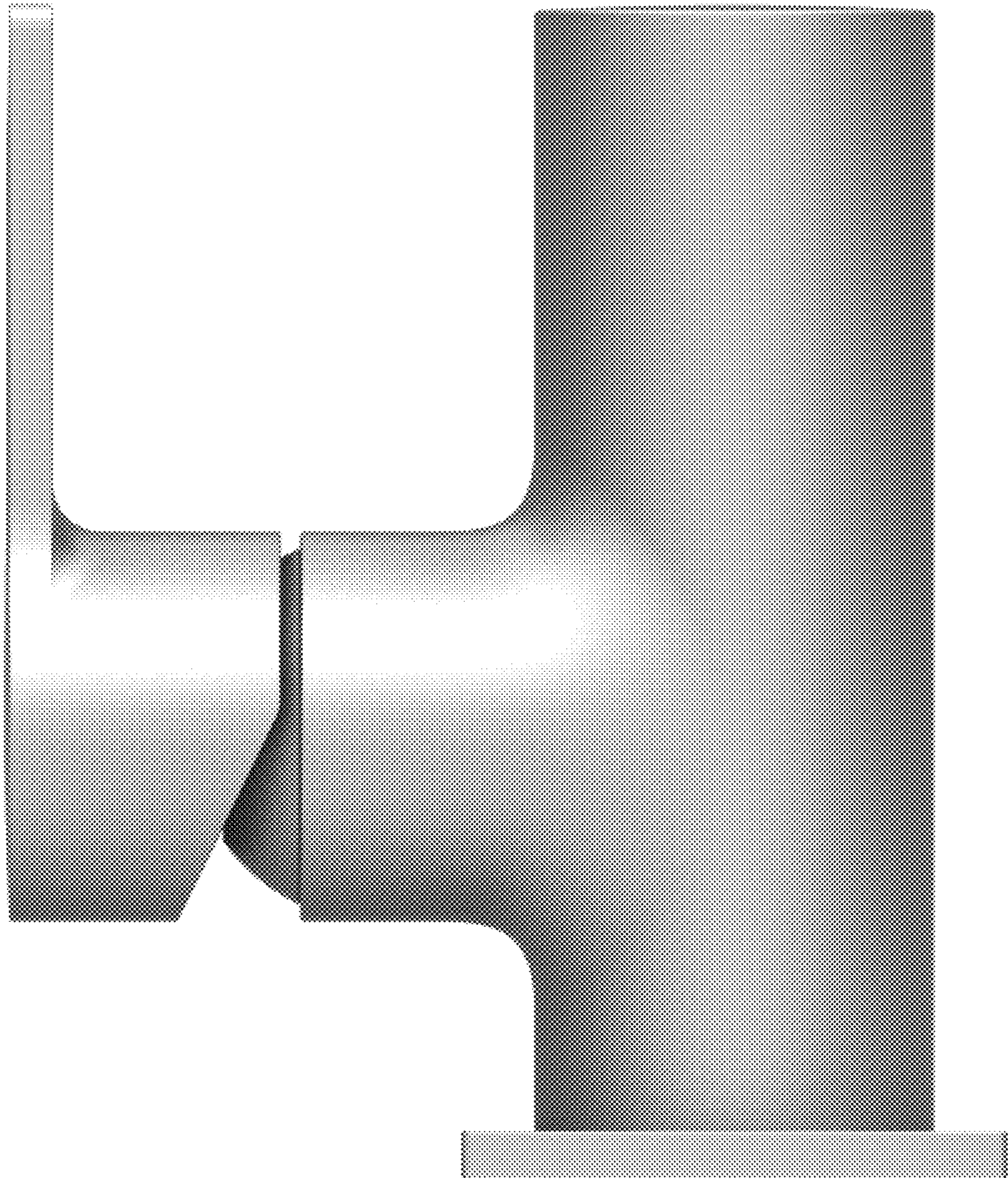


FIG. 6

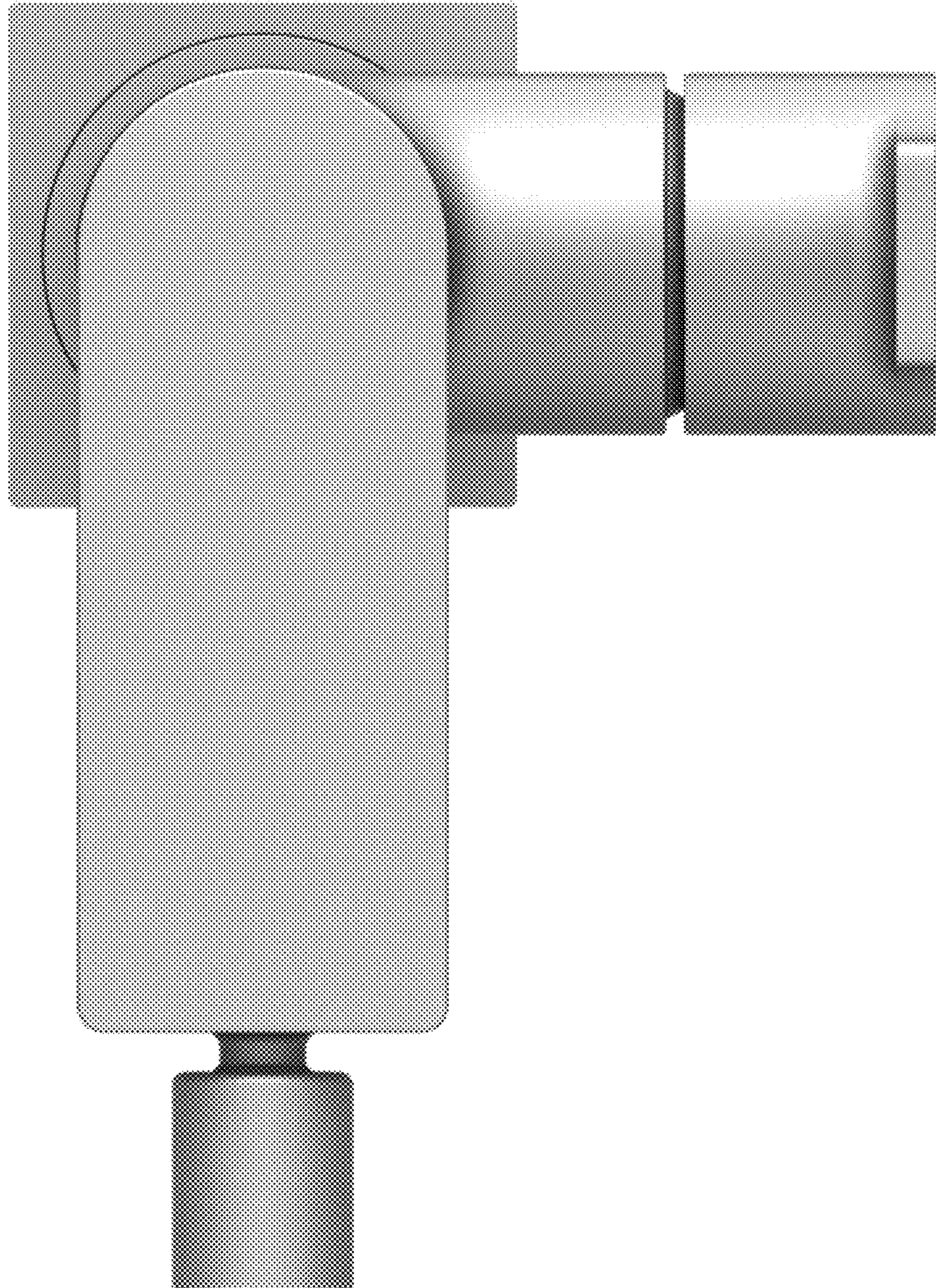


FIG. 7

