



US00D984594S

(12) **United States Design Patent**  
**Ling**

(10) **Patent No.:** **US D984,594 S**

(45) **Date of Patent:** **\*\* Apr. 25, 2023**

(54) **FAUCET**

(71) Applicant: **SHANGHAI AQUACUBIC  
SANITARYWARE CO., LTD,**  
Shanghai (CN)

(72) Inventor: **Ruizhi Ling,** Shanghai (CN)

(73) Assignee: **SHANGHAI AQUACUBIC  
SANITARYWARE CO., LTD,**  
Shanghai (CN)

(\*\*) Term: **15 Years**

(21) Appl. No.: **29/803,678**

(22) Filed: **Aug. 15, 2021**

(51) **LOC (14) Cl.** ..... **23-01**

(52) **U.S. Cl.**  
USPC ..... **D23/252**

(58) **Field of Classification Search**  
USPC ..... D23/238–244, 252, 254–255, 257, 499  
CPC .... F16K 31/602; F16K 31/605; F16K 31/607;  
E03C 1/0412  
See application file for complete search history.

(56) **References Cited**

**U.S. PATENT DOCUMENTS**

|                   |         |         |       |                        |
|-------------------|---------|---------|-------|------------------------|
| D685,880 S *      | 7/2013  | Fritz   | ..... | D23/242                |
| D797,245 S *      | 9/2017  | Downey  | ..... | D23/242                |
| D823,990 S *      | 7/2018  | Downey  | ..... | D23/242                |
| D835,239 S *      | 12/2018 | Ziemann | ..... | D23/242                |
| D840,510 S *      | 2/2019  | Garland | ..... | D23/242                |
| D852,327 S *      | 6/2019  | Garland | ..... | D23/242                |
| D852,933 S *      | 7/2019  | Garland | ..... | D23/249                |
| D853,530 S *      | 7/2019  | Eads    | ..... | D23/242                |
| D934,390 S *      | 10/2021 | Levi    | ..... | D23/242                |
| D939,055 S *      | 12/2021 | Fritz   | ..... | D23/242                |
| 2008/0277611 A1 * | 11/2008 | Esche   | ..... | F16K 31/602<br>137/625 |

|                   |         |              |       |                        |
|-------------------|---------|--------------|-------|------------------------|
| 2010/0043898 A1 * | 2/2010  | Eckhaus      | ..... | F16K 19/006<br>137/625 |
| 2016/0097467 A1 * | 4/2016  | Sage-Passant | ..... | F16K 31/602<br>251/231 |
| 2020/0378096 A1 * | 12/2020 | Bares        | ..... | E03C 1/04              |

**FOREIGN PATENT DOCUMENTS**

|    |        |   |        |
|----|--------|---|--------|
| CA | 167547 | * | 4/2017 |
| CA | 181237 | * | 6/2019 |

(Continued)

**OTHER PUBLICATIONS**

Delta Faucet P2923LF Westchester Bridge Kitchen Faucet, first available Dec. 28, 2018[online], [site visited Feb. 17, 2023]. Available from internet, URL:< <https://www.amazon.ca/Delta-Faucet-P2923LF-Westchester-Kitchen/dp/B07HKXKRCS?th=1> > (Year: 2018).\*

(Continued)

*Primary Examiner* — David G Muller  
*Assistant Examiner* — Jamaal Rasheed

(57) **CLAIM**

The ornamental design for a faucet, as shown and described.

**DESCRIPTION**

FIG. 1 is a perspective view of a faucet showing my new design;

FIG. 2 is another perspective view thereof;

FIG. 3 is a front elevational view thereof;

FIG. 4 is a rear elevational view thereof;

FIG. 5 is a left side elevational view thereof;

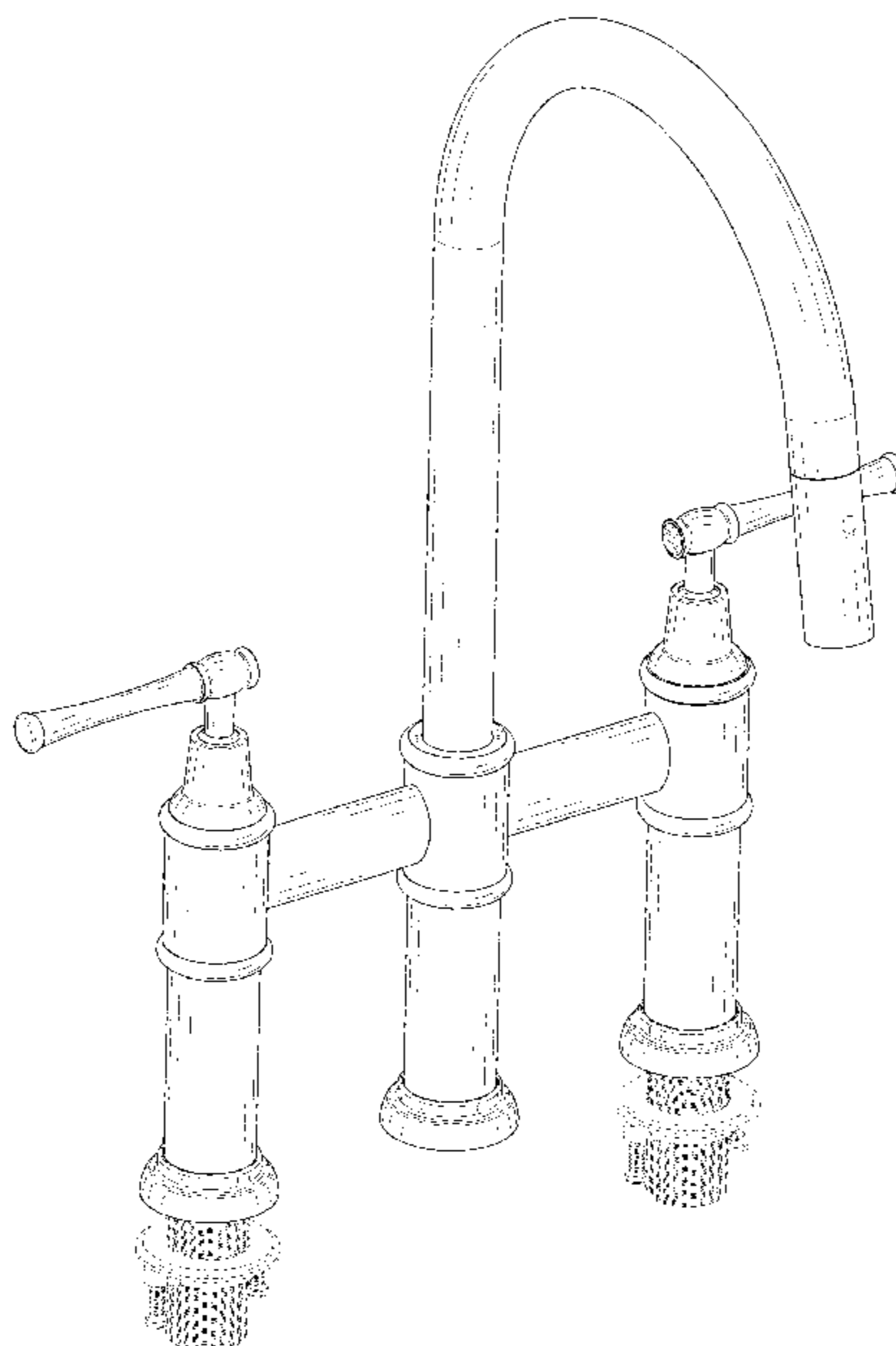
FIG. 6 is a right side elevational view thereof;

FIG. 7 is a top plan view thereof; and,

FIG. 8 is a bottom plan view thereof.

The broken lines in the drawings depict portions of the faucet that form no part of the claimed design.

**1 Claim, 8 Drawing Sheets**



(56)

**References Cited**

FOREIGN PATENT DOCUMENTS

|    |           |   |        |
|----|-----------|---|--------|
| CA | 182145    | * | 6/2019 |
| CN | 304607656 | * | 5/2018 |

OTHER PUBLICATIONS

Signature Hardware 950466 Hurston 1.8 GPM Double Handle Bridge Pull-Down Kitchen Faucet, first available Dec. 2, 2021 [online], [site visited Feb. 17, 2023]. Available from internet, URL:< <https://www.amazon.com/Signature-Hardware-Hurston-Widespread-Pull-Down/dp/B09MWNR4ZB?th=1>> (Year: 2021).\*

Gerber Plumbing Parma Kitchen Faucet, first available Jan. 13, 2021 [online], [site visited Feb. 17, 2023]. Available from internet, URL:< <https://www.amazon.com/Gerber-D424458BB-Kitchen-Faucet-Brushed/dp/B08SXRKGD3?th=1>> (Year: 2021).\*

\* cited by examiner

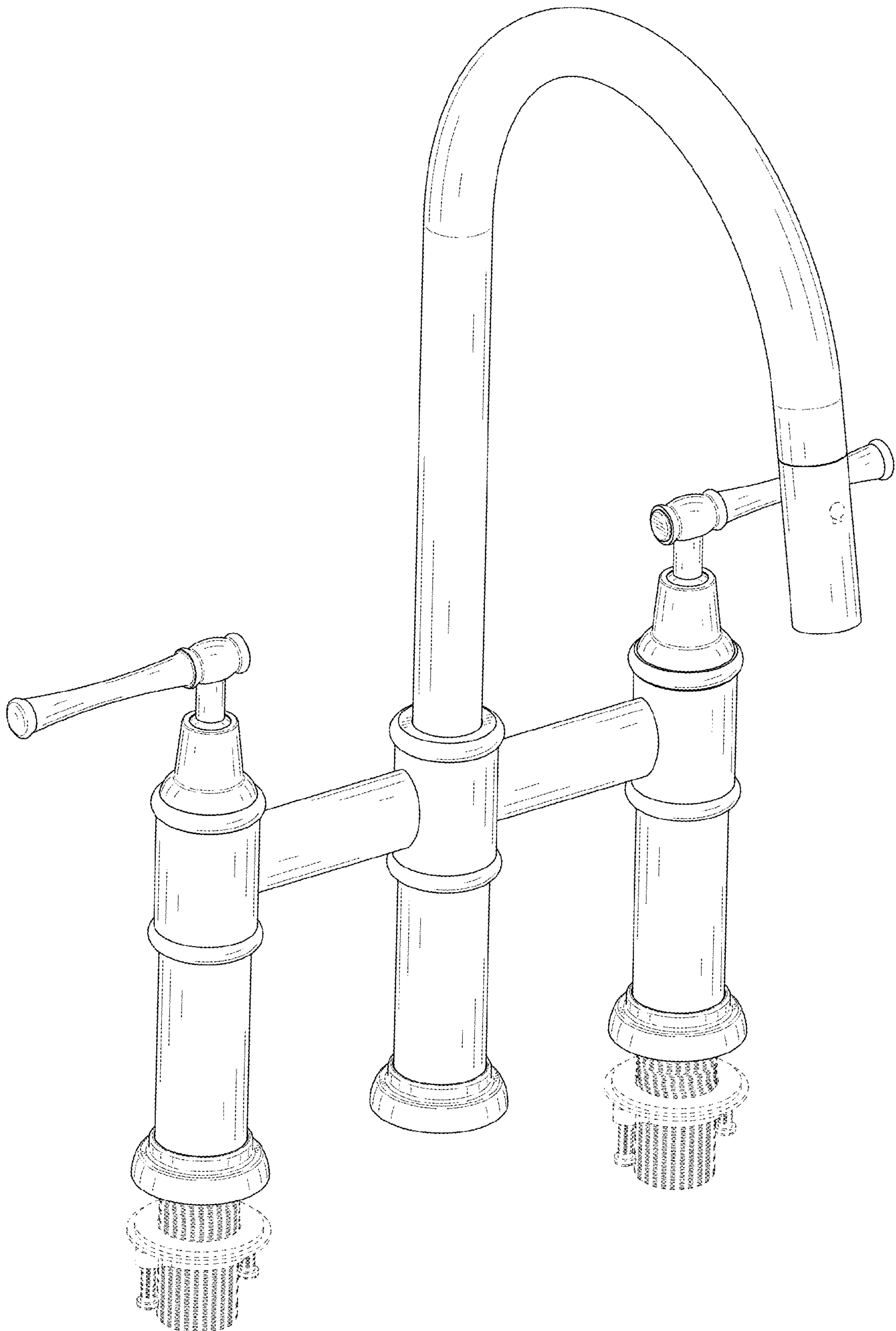


FIG. 1

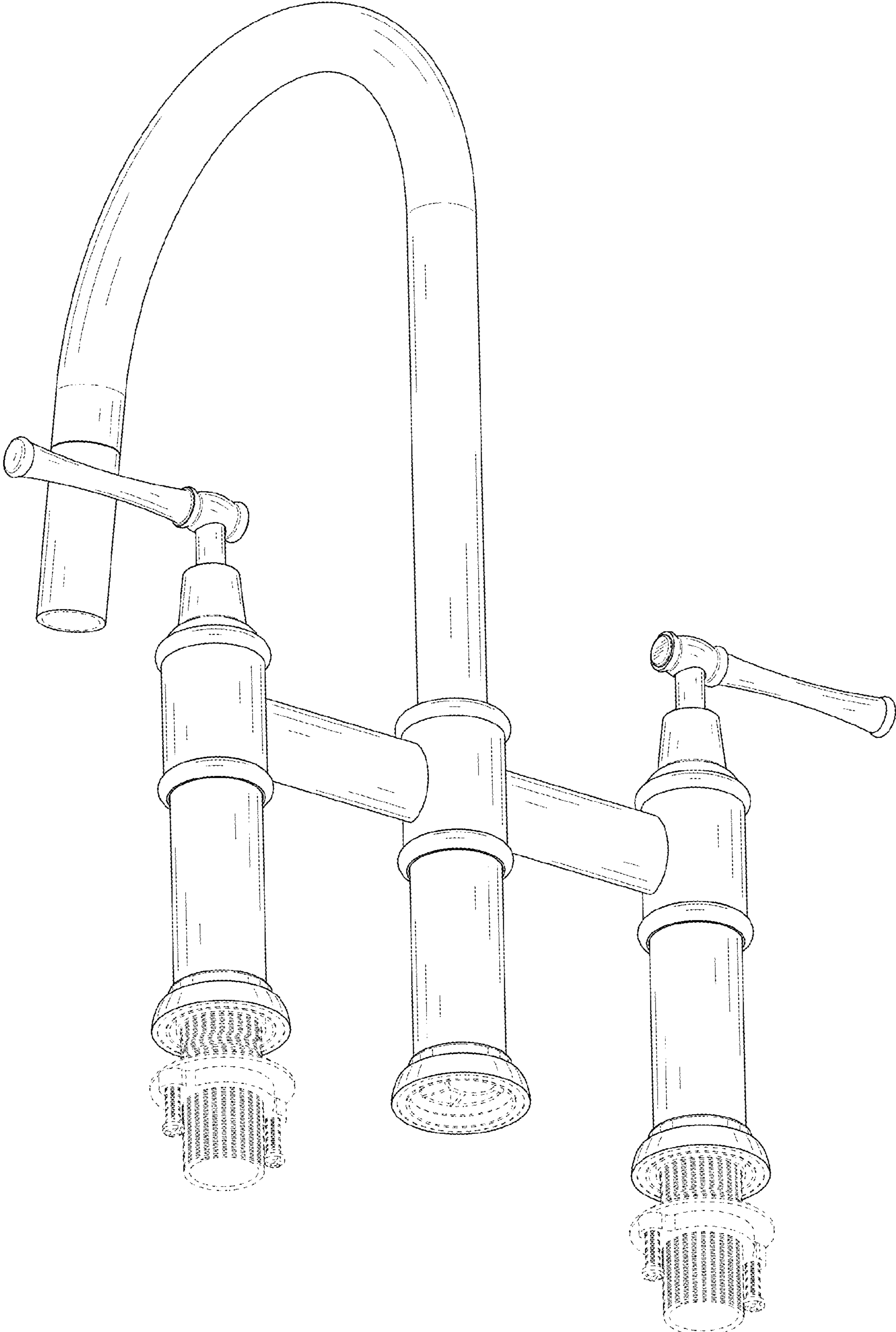


FIG. 2

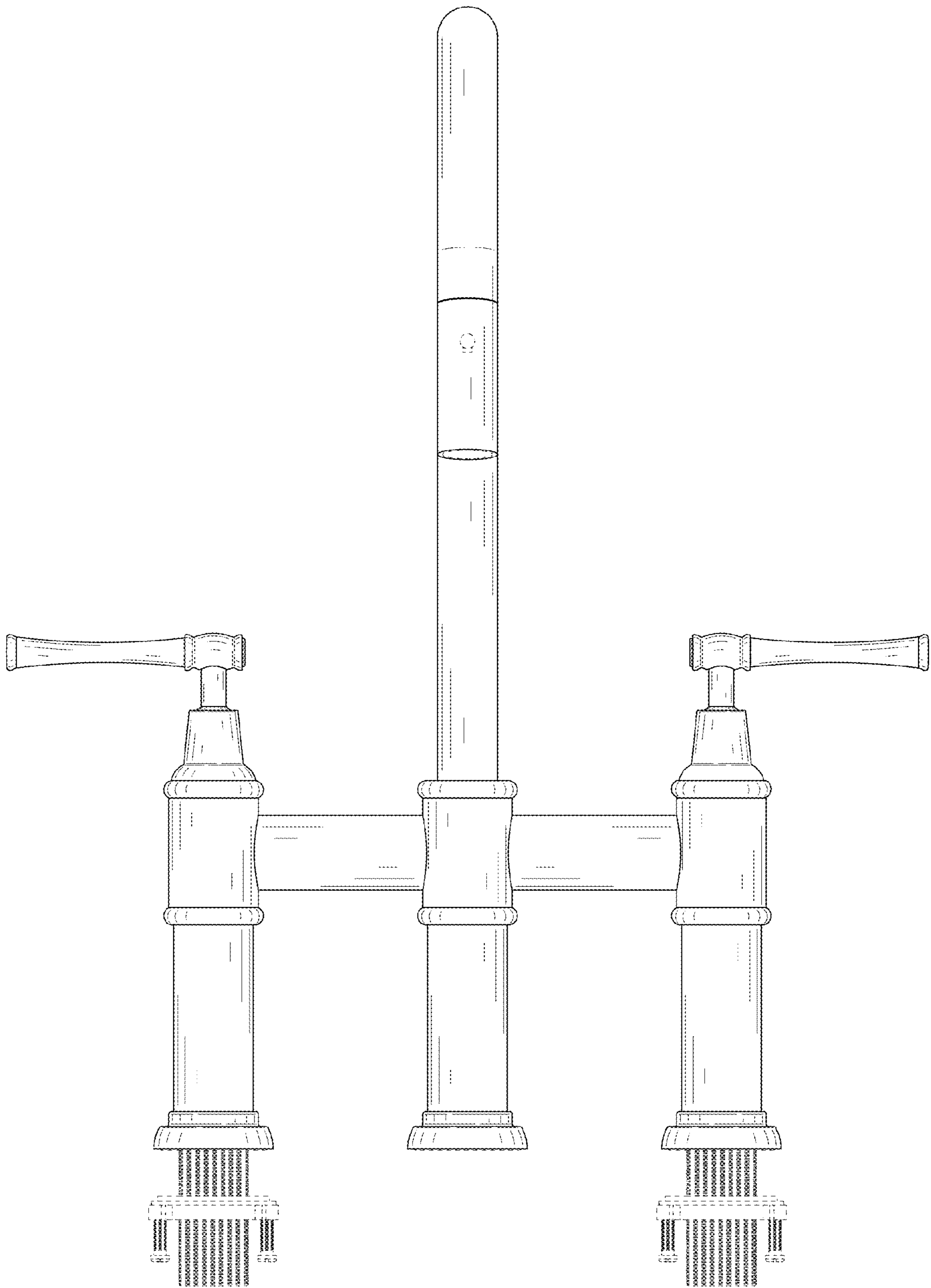


FIG. 3

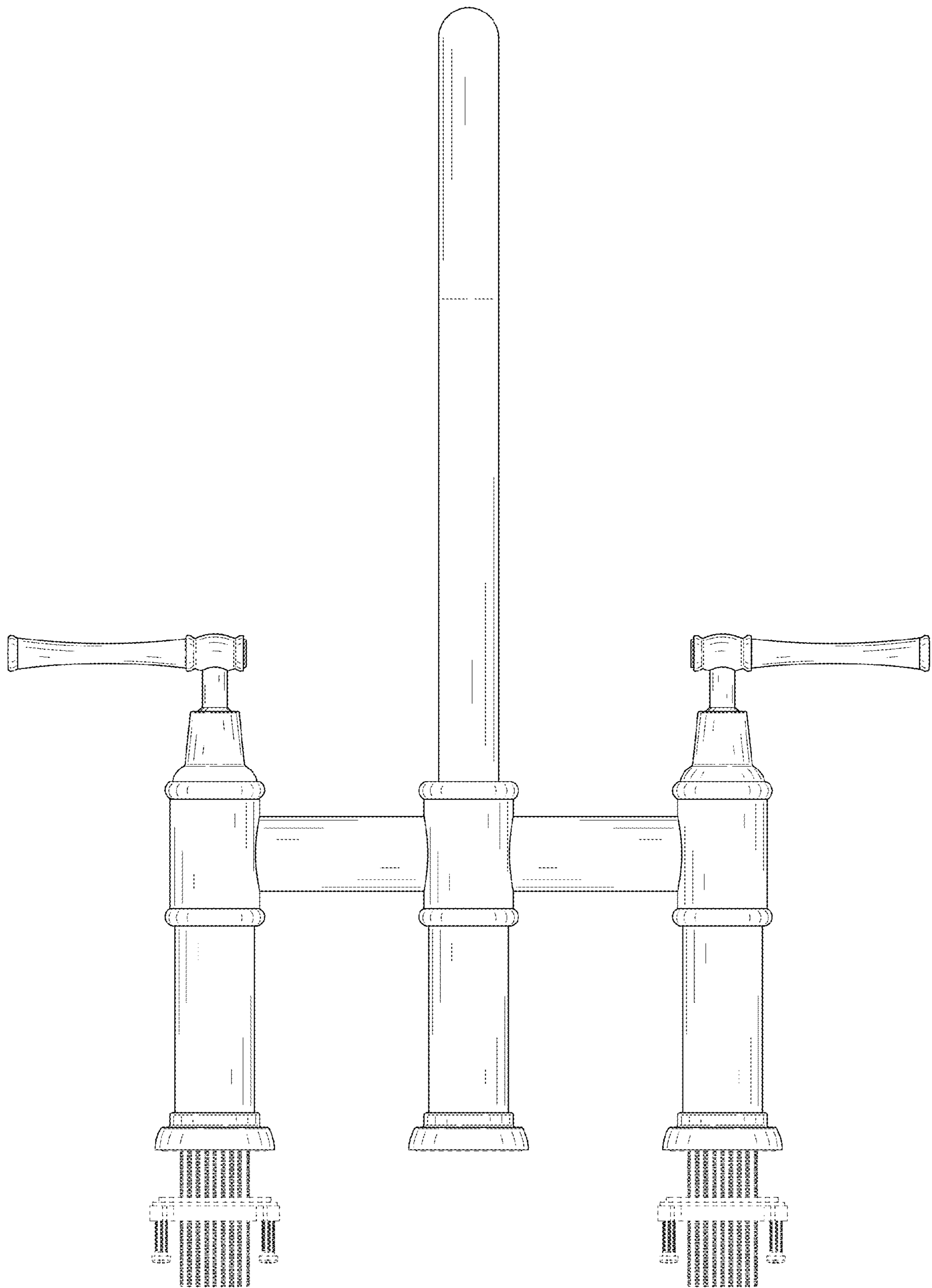


FIG. 4

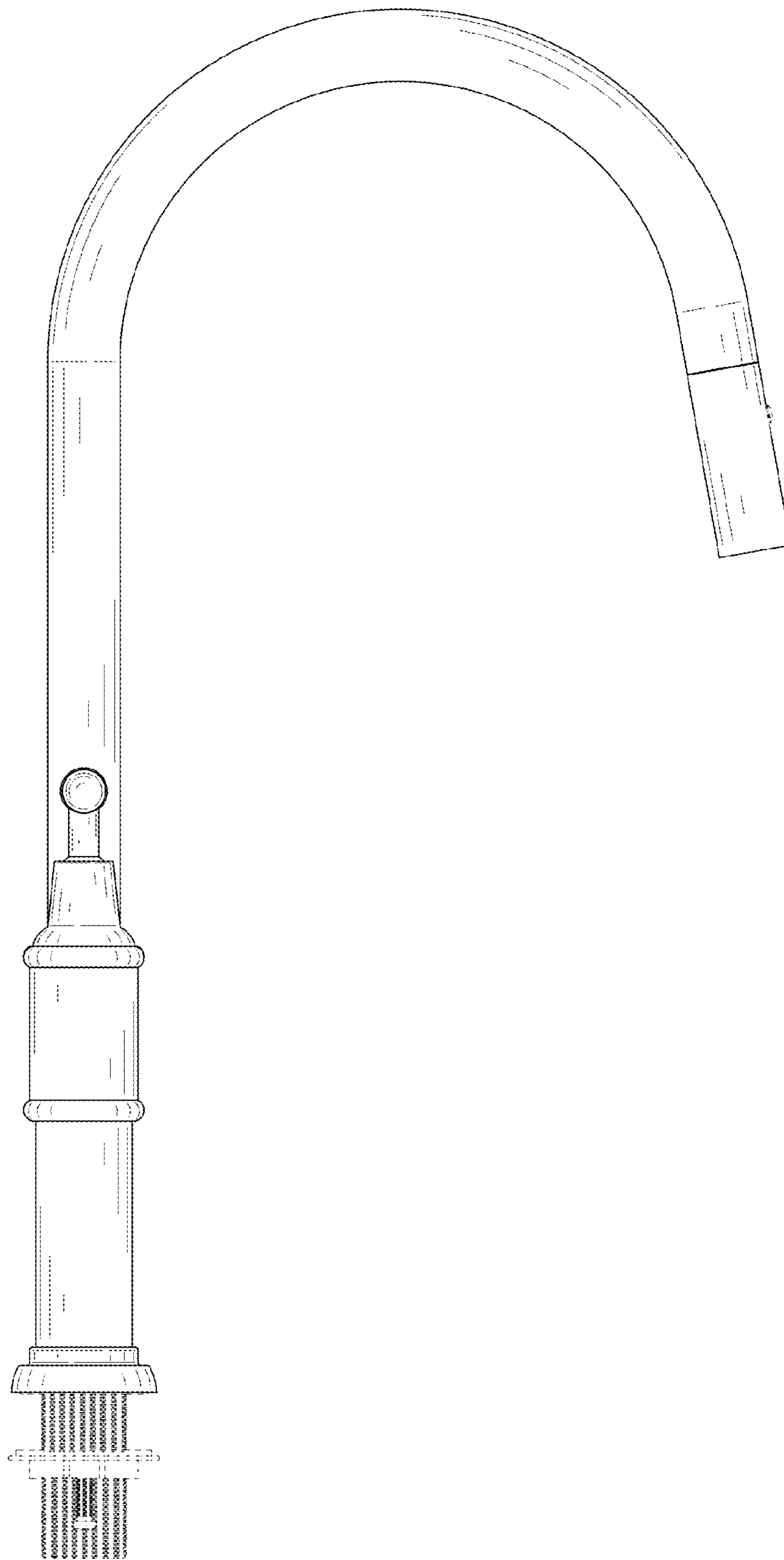


FIG. 5

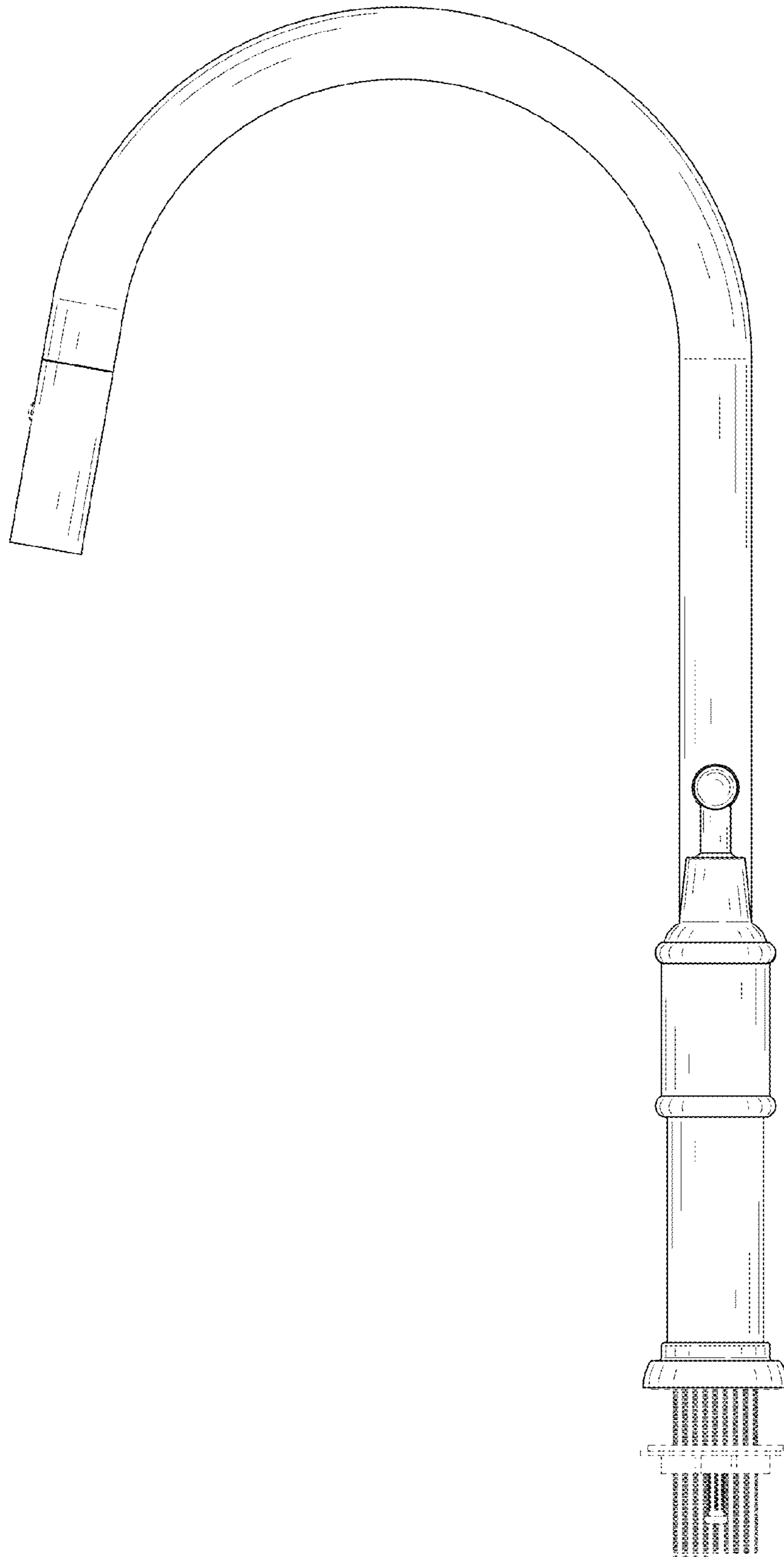


FIG. 6



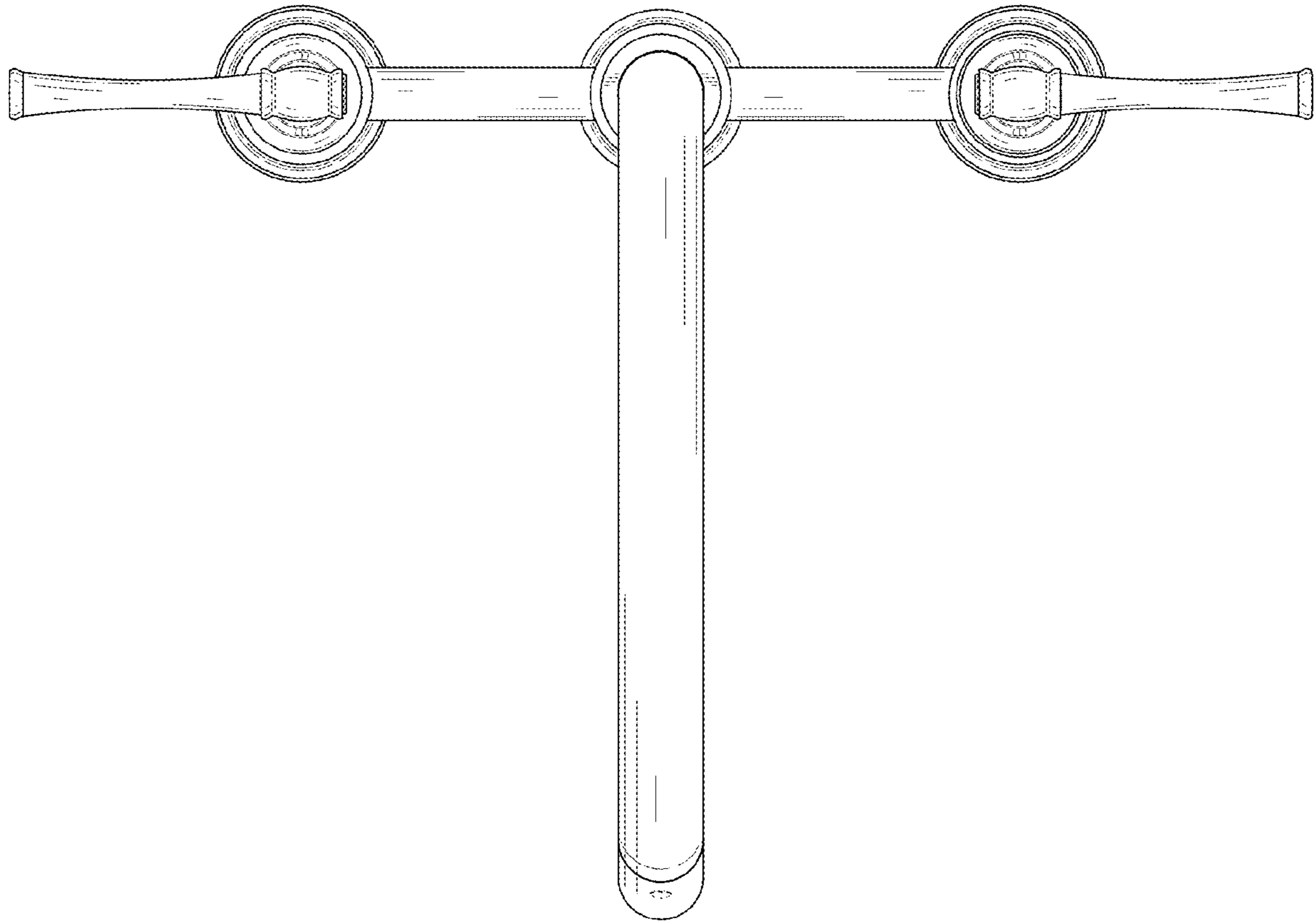


FIG. 7

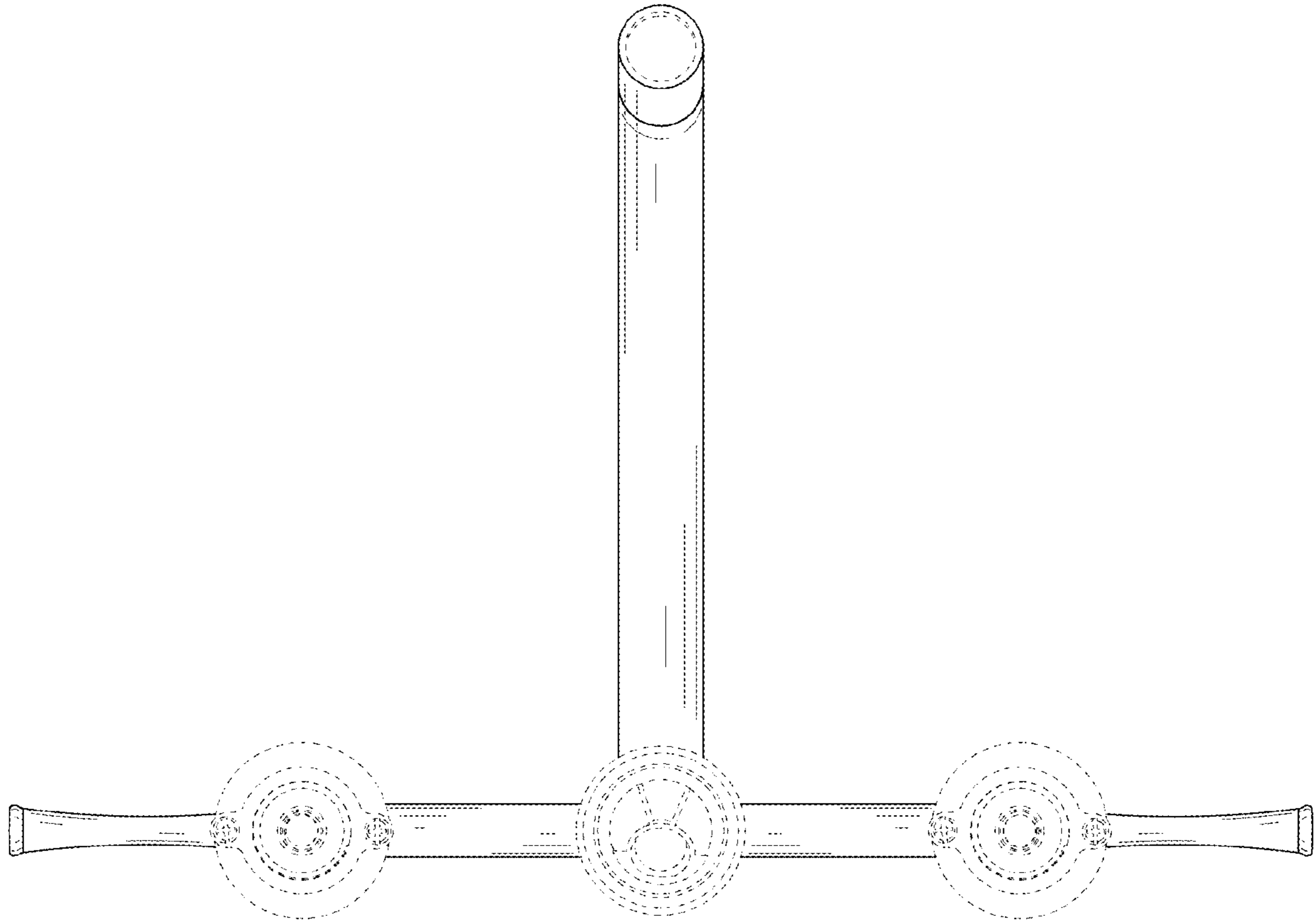


FIG. 8