



US00D984593S

(12) **United States Design Patent**
Chen

(10) **Patent No.:** **US D984,593 S**

(45) **Date of Patent:** **** Apr. 25, 2023**

(54) **ELBOW-STYLE WATER CONTROL VALVE**

(71) Applicant: **Zhengmiao Chen**, Wenzhou (CN)

(72) Inventor: **Zhengmiao Chen**, Wenzhou (CN)

(**) Term: **15 Years**

(21) Appl. No.: **29/763,456**

(22) Filed: **Dec. 22, 2020**

(30) **Foreign Application Priority Data**

Jun. 23, 2020 (CN) 202030327068.7

(51) **LOC (14) Cl.** **23-01**

(52) **U.S. Cl.**
USPC **D23/245**

(58) **Field of Classification Search**
USPC D23/233, 235, 237, 241, 245, 247, 248,
D23/263
CPC F16K 11/07; F16K 11/0716; F16K 31/12;
F16K 11/105; F16K 11/00
See application file for complete search history.

(56) **References Cited**

U.S. PATENT DOCUMENTS

D600,779 S * 9/2009 Shishido D23/233
D750,744 S * 3/2016 Liljeqvist D23/233

D758,540 S * 6/2016 Shishido D23/233
D762,819 S * 8/2016 Shishido D23/235
D872,236 S * 1/2020 Shinozaki D23/245
D897,498 S * 9/2020 Shinozaki D23/245
D897,499 S * 9/2020 Shinozaki D23/245

* cited by examiner

Primary Examiner — Gino Colan

(74) *Attorney, Agent, or Firm* — Hamre, Schumann,
Mueller & Larson, P.C.

(57) **CLAIM**

The ornamental design for an elbow-style water control valve, as shown.

DESCRIPTION

FIG. 1 is a front view of an elbow-style water control valve; FIG. 2 is a rear view of the elbow-style water control valve depicted in FIG. 1; FIG. 3 is a left side view of the elbow-style water control valve depicted in FIG. 1; FIG. 4 is a right side view of the elbow-style water control valve depicted in FIG. 1; FIG. 5 is a top view of the elbow-style water control valve depicted in FIG. 1; FIG. 6 is a bottom view of the elbow-style water control valve depicted in FIG. 1; FIG. 7 is a top right perspective view of the elbow-style water control valve depicted in FIG. 1; and, FIG. 8 is a bottom left perspective view of the elbow-style water control valve depicted in FIG. 1.

1 Claim, 7 Drawing Sheets

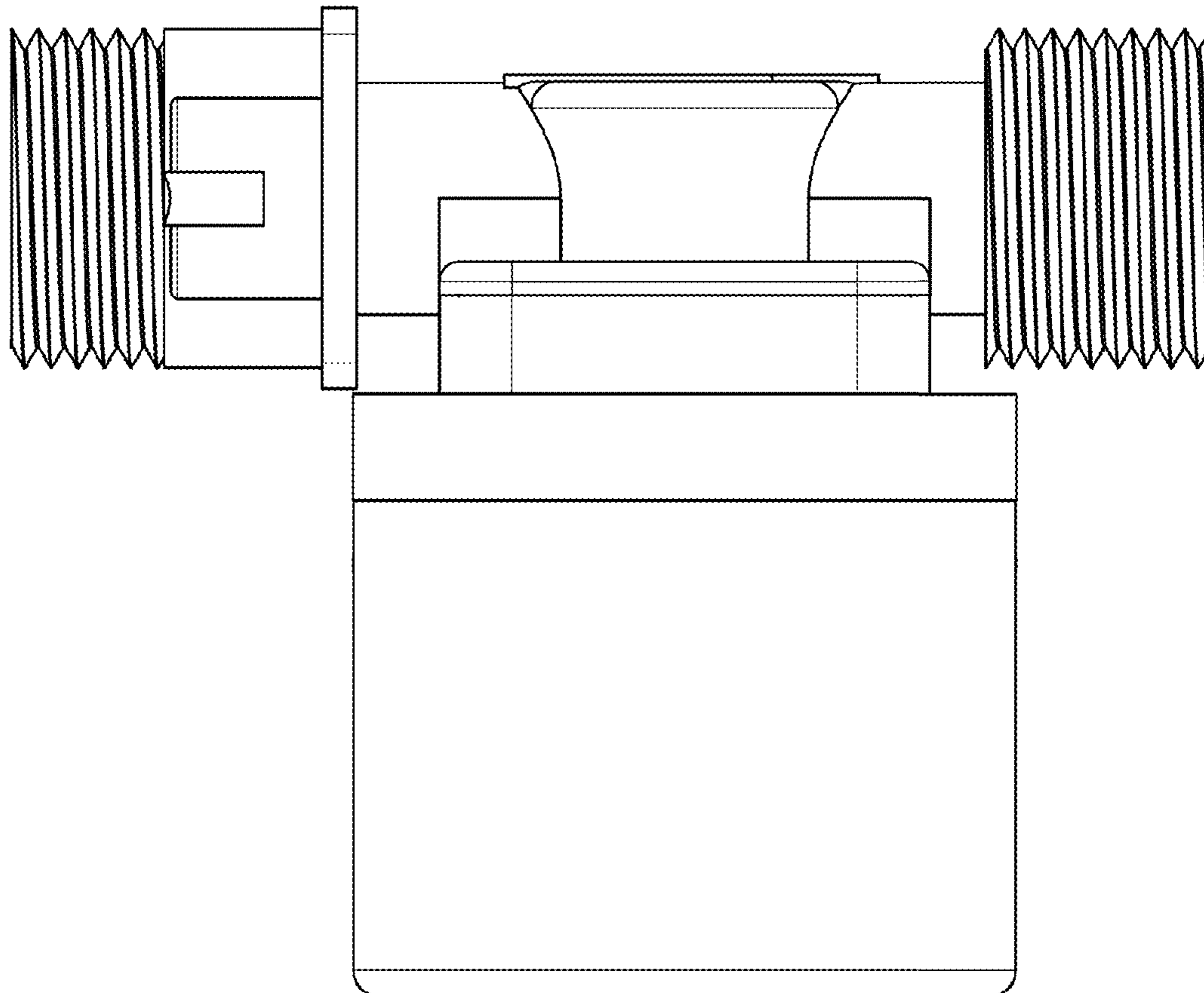


Fig. 1

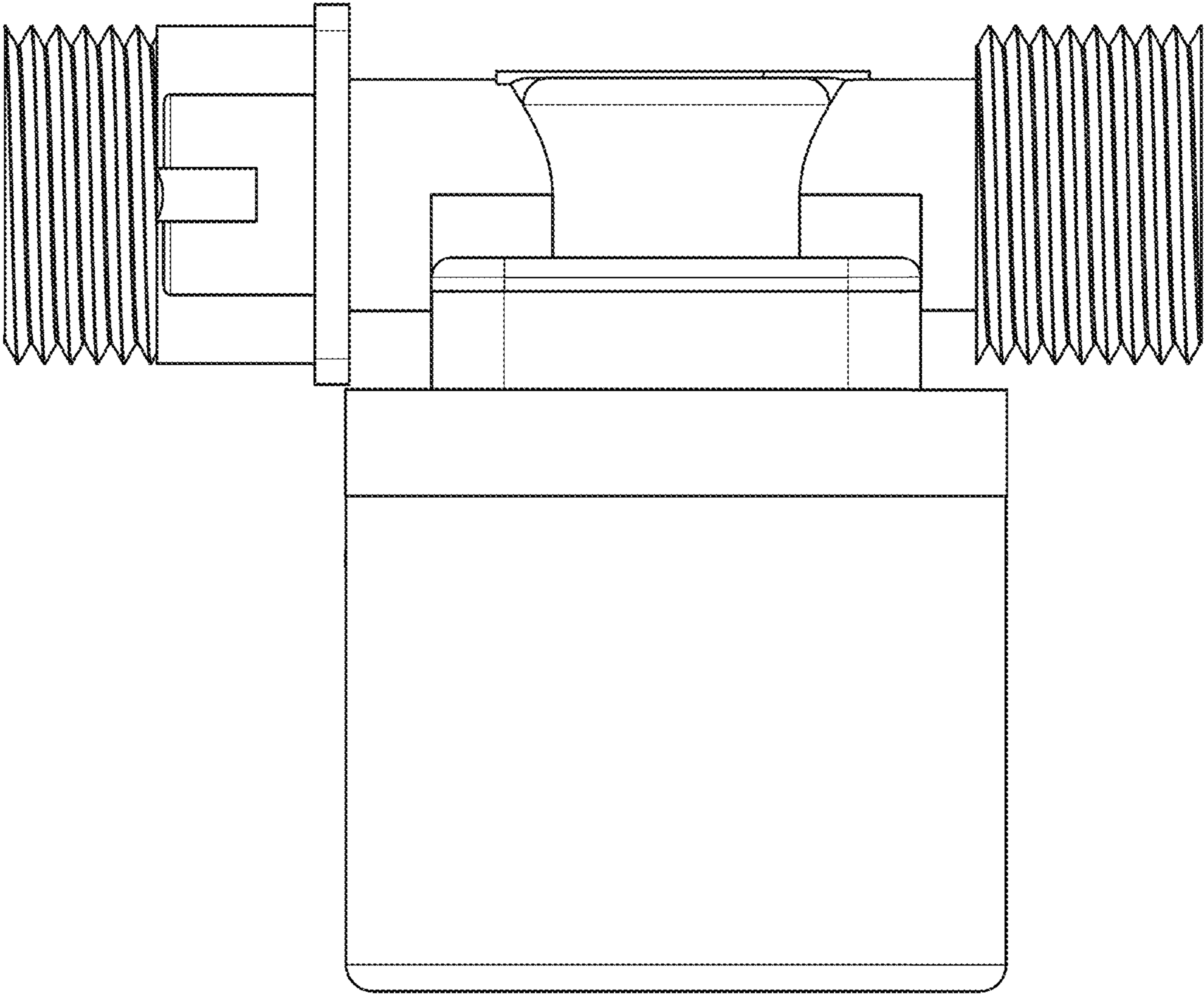


Fig. 2

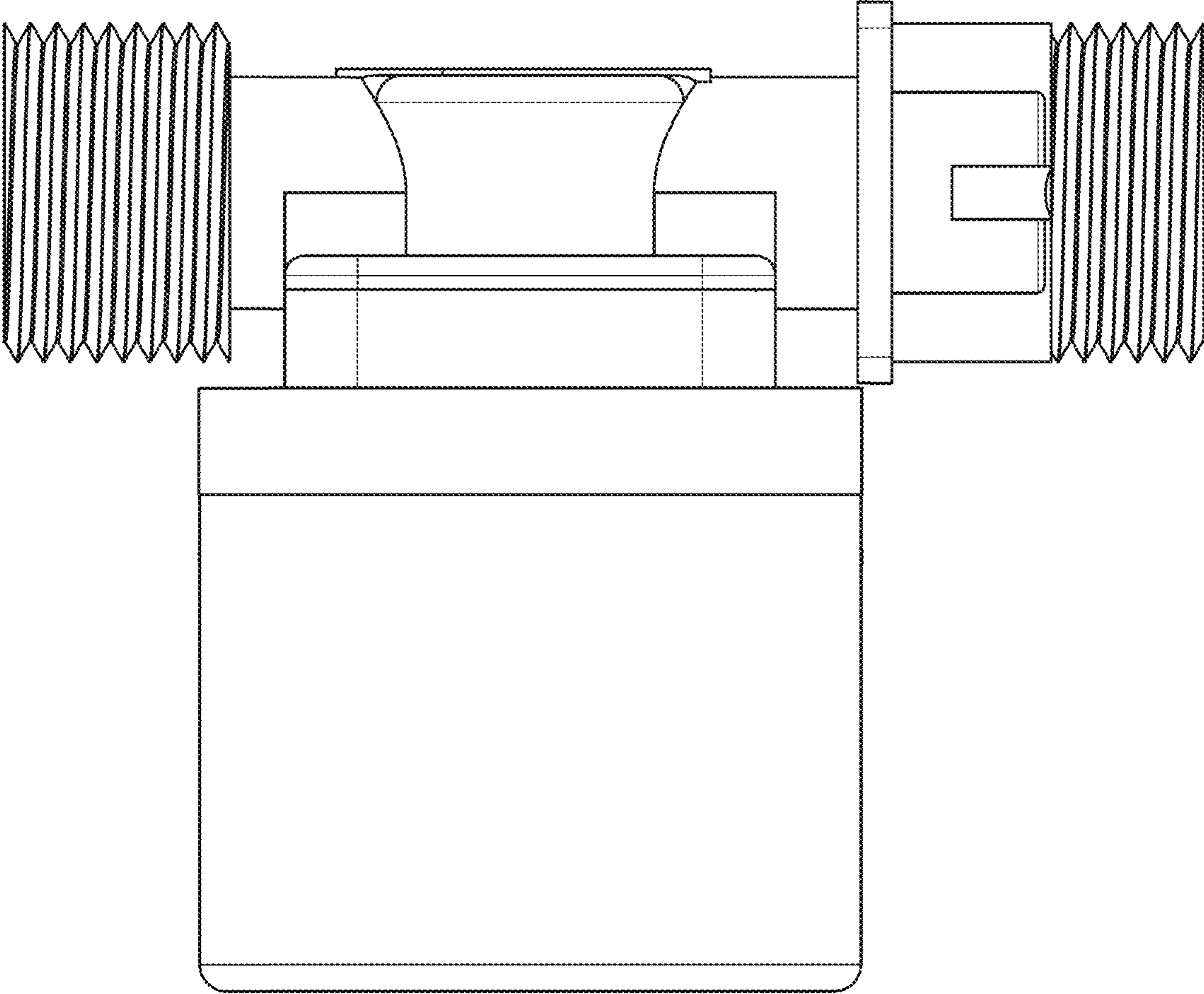


Fig. 3

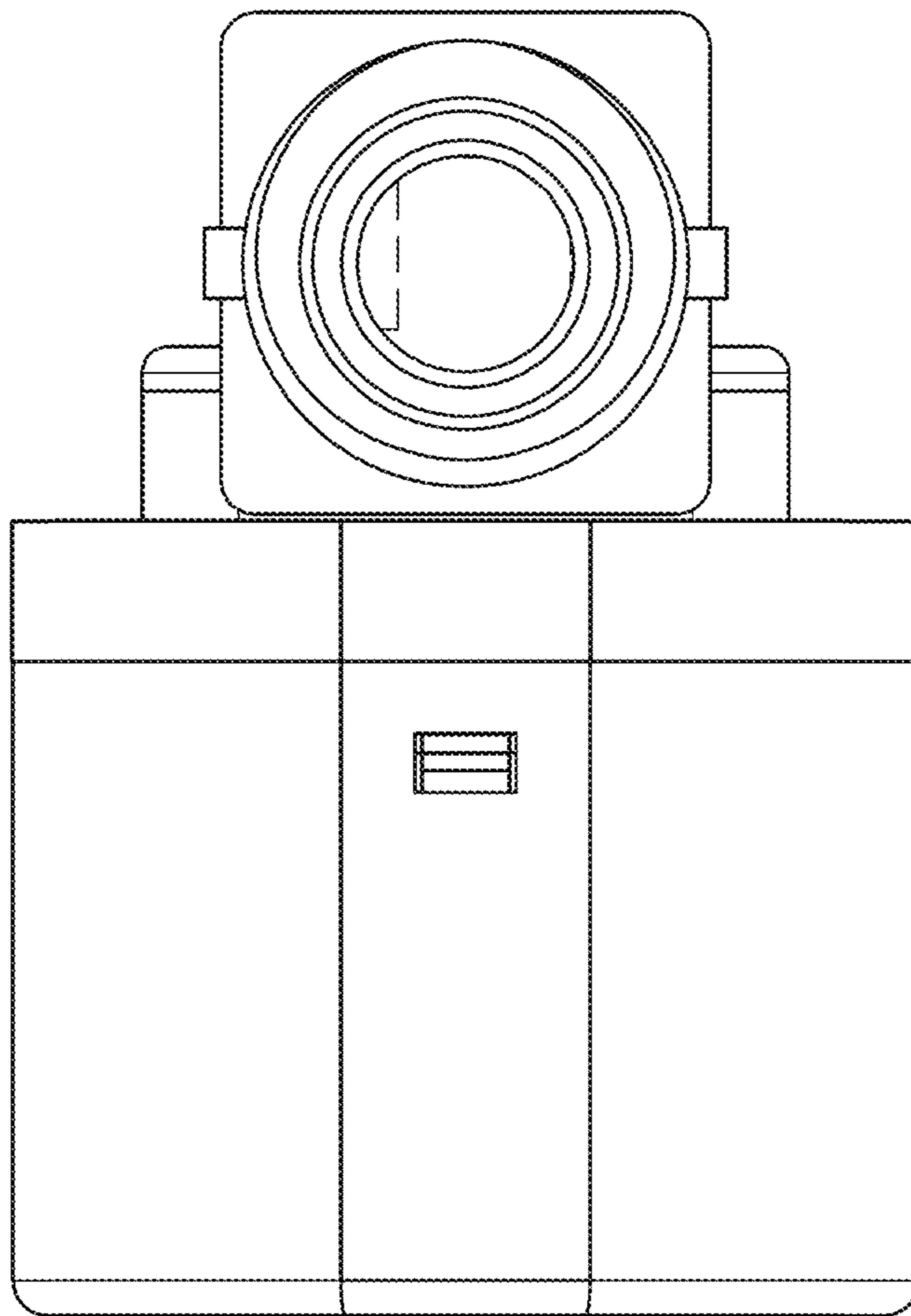


Fig. 4

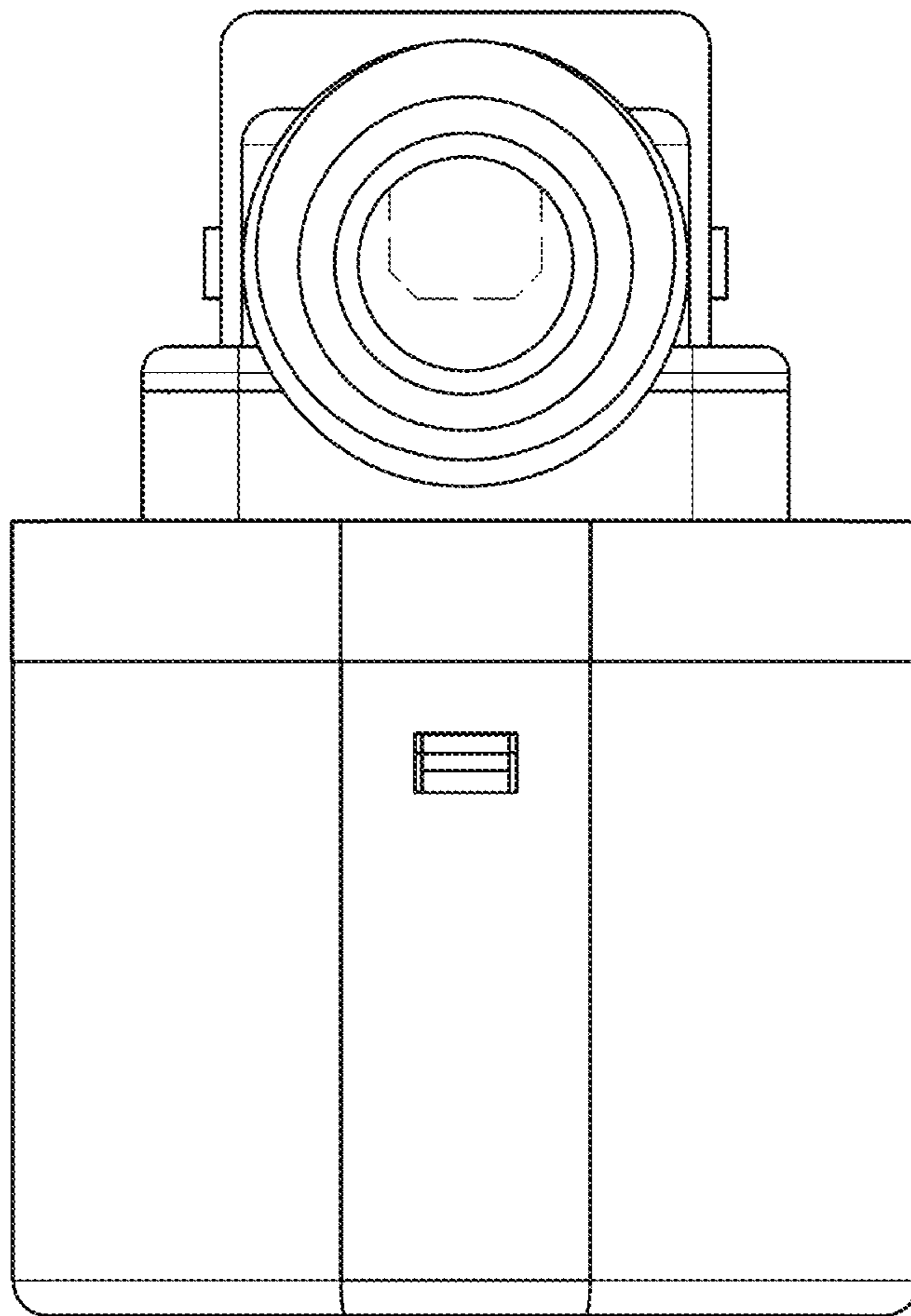


Fig. 5

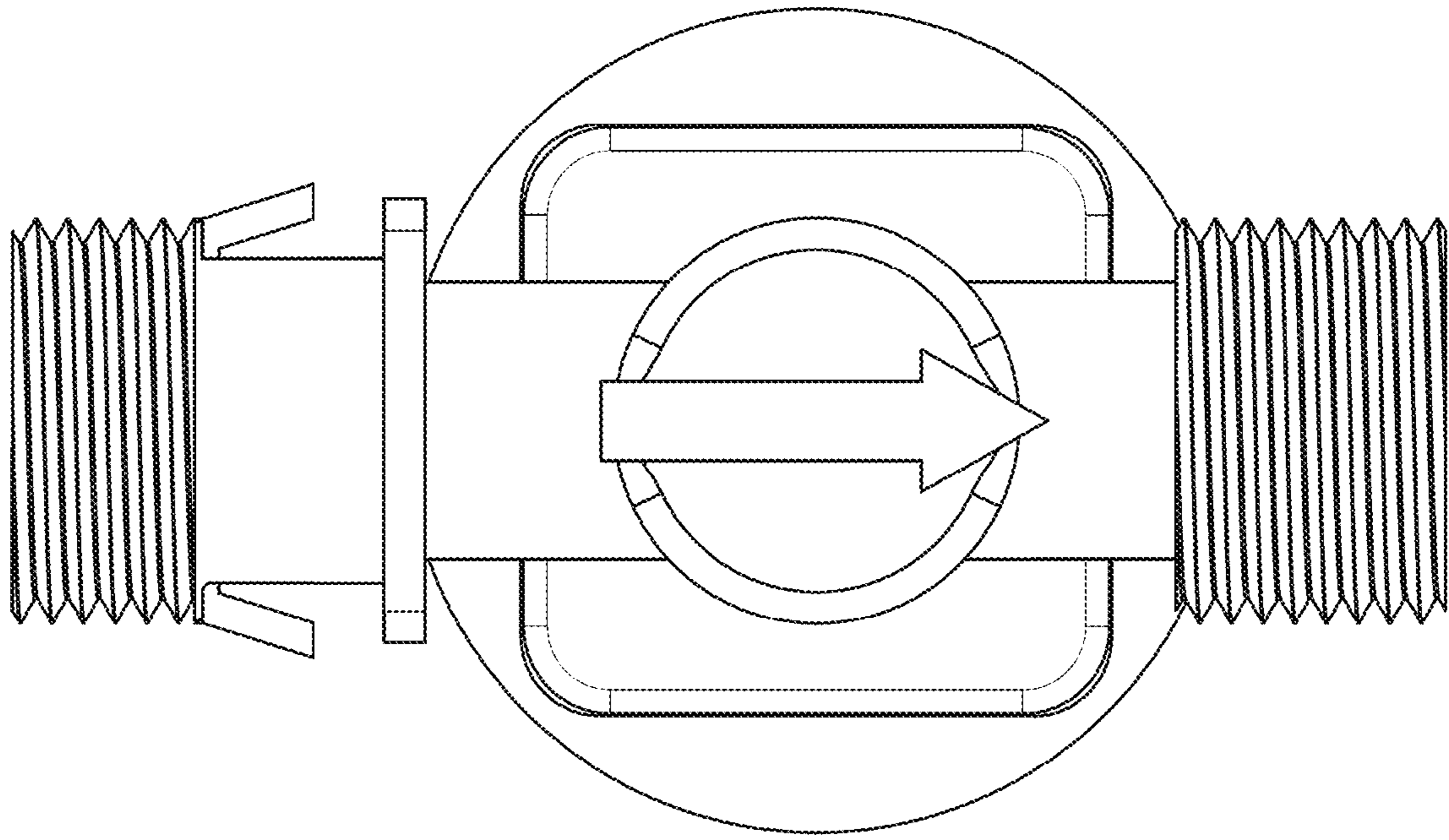


Fig. 6

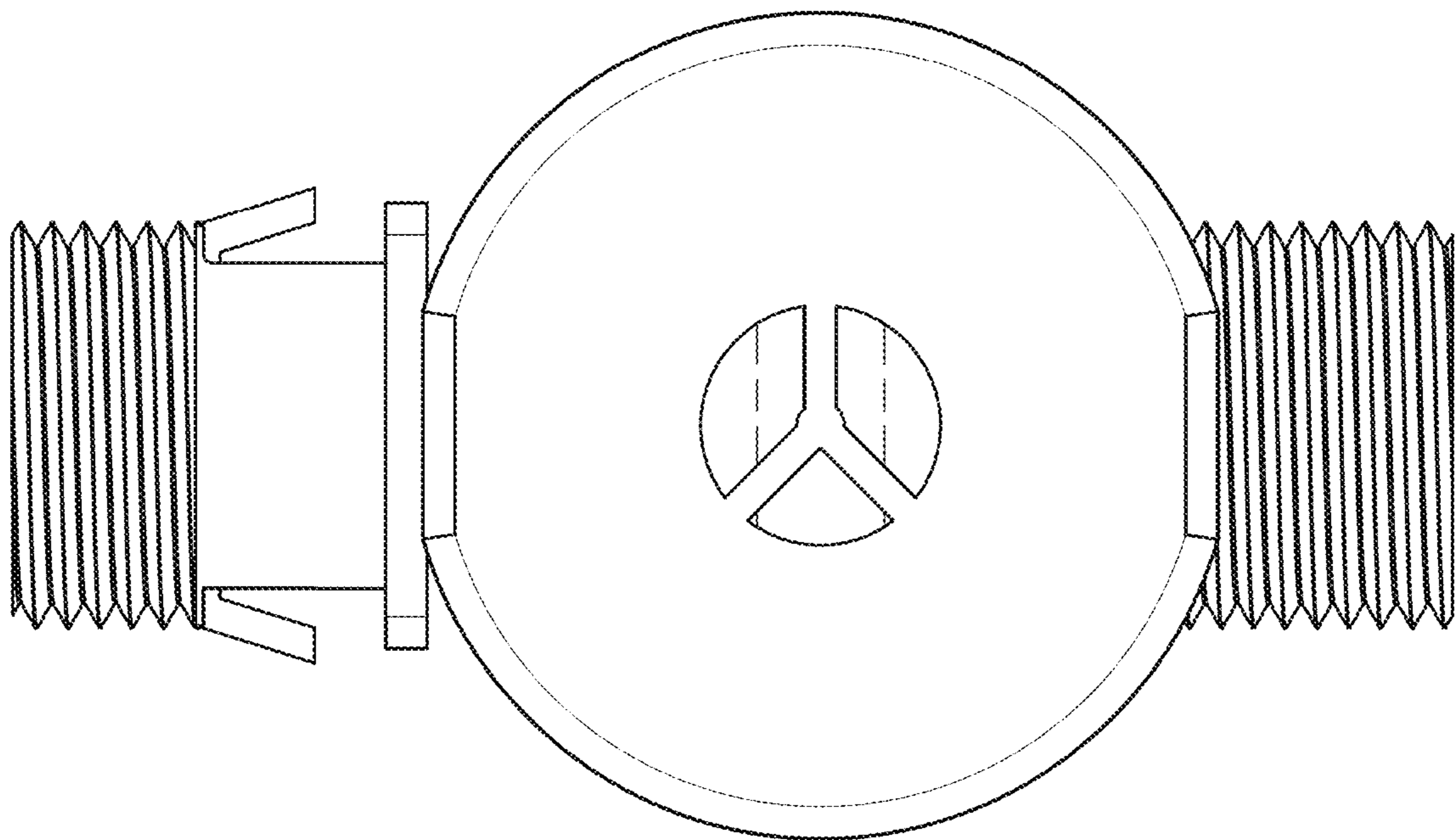


Fig. 7

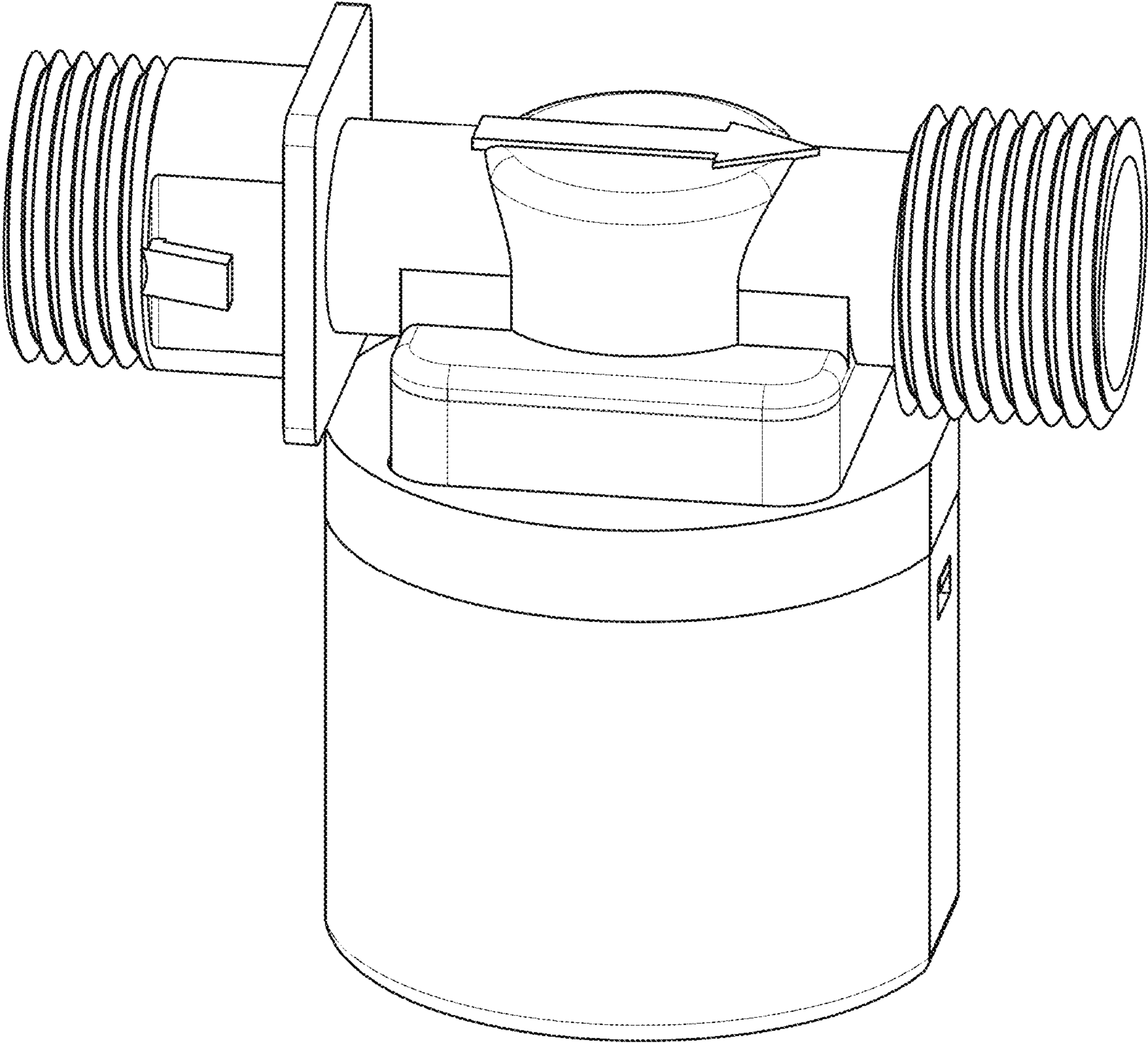


Fig. 8

