



US00D984592S

(12) **United States Design Patent**  
**Chen**

(10) **Patent No.:** **US D984,592 S**

(45) **Date of Patent:** **\*\* Apr. 25, 2023**

(54) **STRAIGHT-STYLE WATER CONTROL VALVE**

(71) Applicant: **Zhengmiao Chen**, Wenzhou (CN)

(72) Inventor: **Zhengmiao Chen**, Wenzhou (CN)

(\*\*) Term: **15 Years**

(21) Appl. No.: **29/763,453**

(22) Filed: **Dec. 22, 2020**

(30) **Foreign Application Priority Data**

Jun. 23, 2020 (CN) ..... 202030327841.X

(51) **LOC (14) Cl.** ..... **23-01**

(52) **U.S. Cl.**  
USPC ..... **D23/245**

(58) **Field of Classification Search**  
USPC ..... D23/233, 235, 237, 241, 247, 248, 263  
CPC ..... F16K 11/07; F16K 11/0716; F16K 31/12;  
F16K 11/105; F16K 11/00  
See application file for complete search history.

(56) **References Cited**

**U.S. PATENT DOCUMENTS**

D600,779 S \* 9/2009 Shishido ..... D23/233  
D750,744 S \* 3/2016 Liljeqvist ..... D23/233

D758,540 S \* 6/2016 Shishido ..... D23/233  
D762,819 S \* 8/2016 Shishido ..... D23/235  
D872,236 S \* 1/2020 Shinozaki ..... D23/245  
D897,498 S \* 9/2020 Shinozaki ..... D23/245  
D897,499 S \* 9/2020 Shinozaki ..... D23/245

\* cited by examiner

*Primary Examiner* — Gino Colan

(74) *Attorney, Agent, or Firm* — Hamre, Schumann,  
Mueller & Larson, P.C.

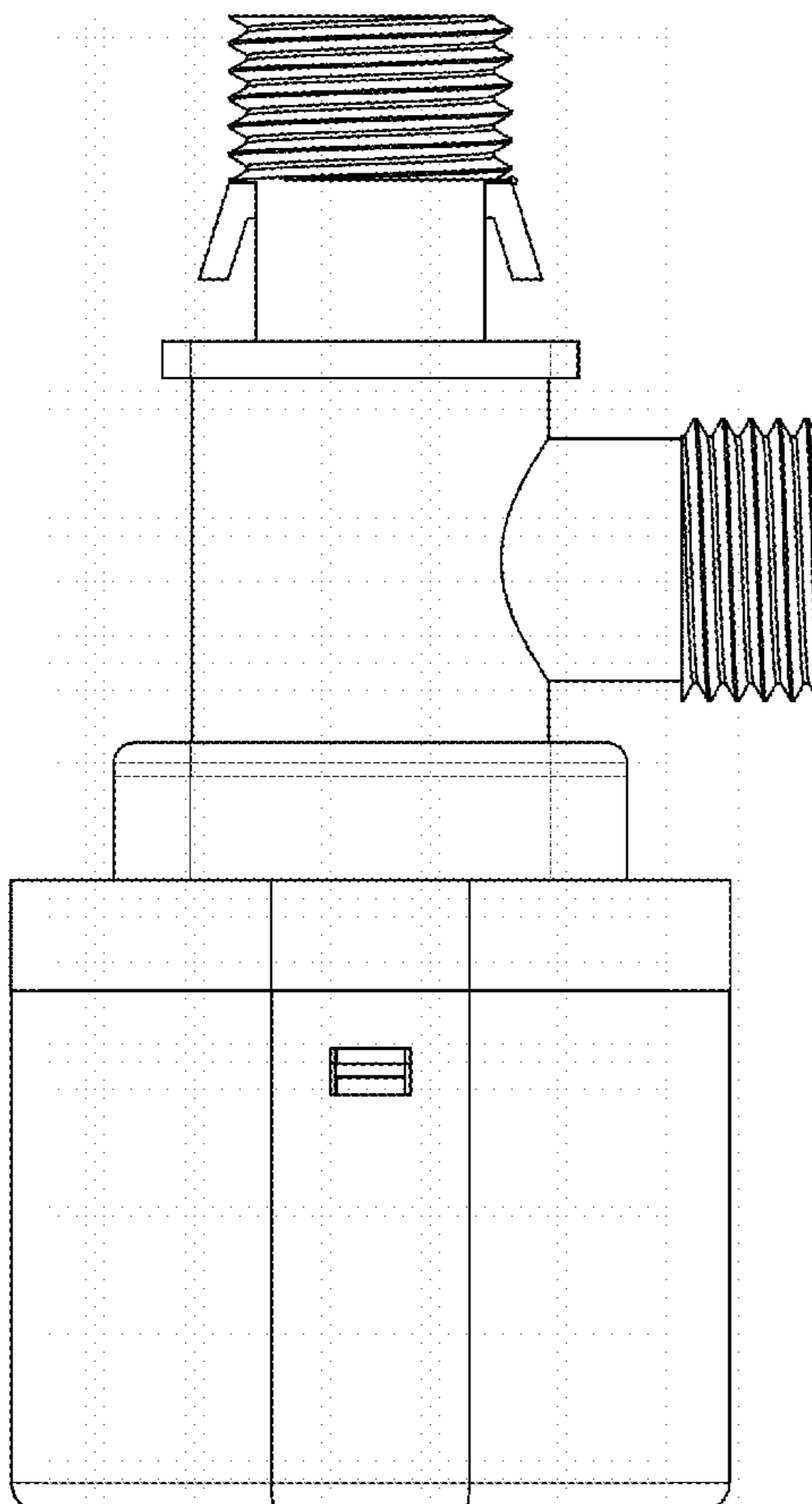
(57) **CLAIM**

The ornamental design for a straight-style water control valve, as shown.

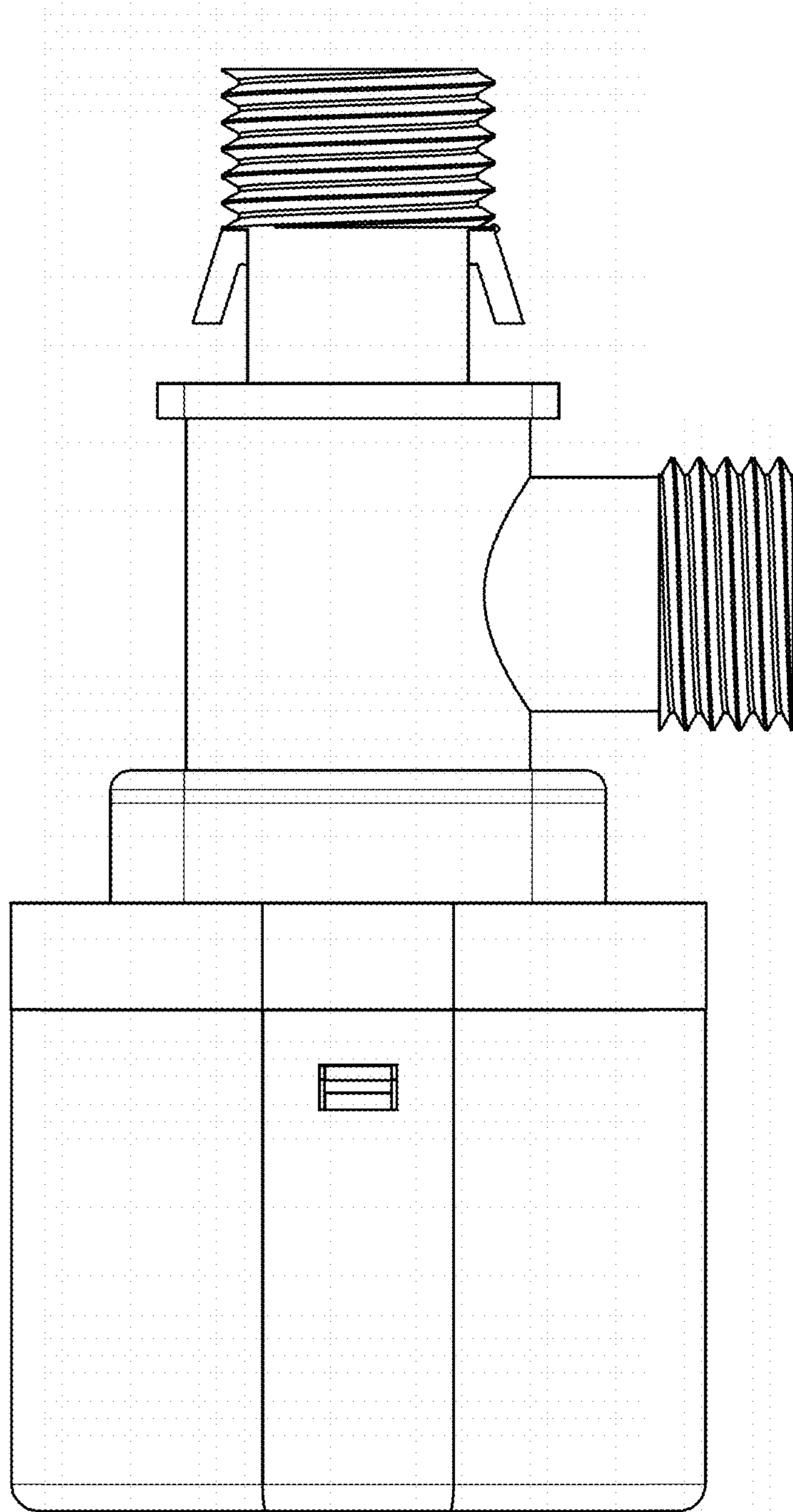
**DESCRIPTION**

FIG. 1 is a front view of a straight-style water control valve; FIG. 2 is a rear view of the straight-style water control valve depicted in FIG. 1; FIG. 3 is a left side view of the straight-style water control valve depicted in FIG. 1; FIG. 4 is a right side view of the straight-style water control valve depicted in FIG. 1; FIG. 5 is a top view of the straight-style water control valve depicted in FIG. 1; FIG. 6 is a bottom view of the straight-style water control valve depicted in FIG. 1; FIG. 7 is a top right perspective view of the straight-style water control valve depicted in FIG. 1; and, FIG. 8 is a bottom right perspective view of the straight-style water control valve depicted in FIG. 1.

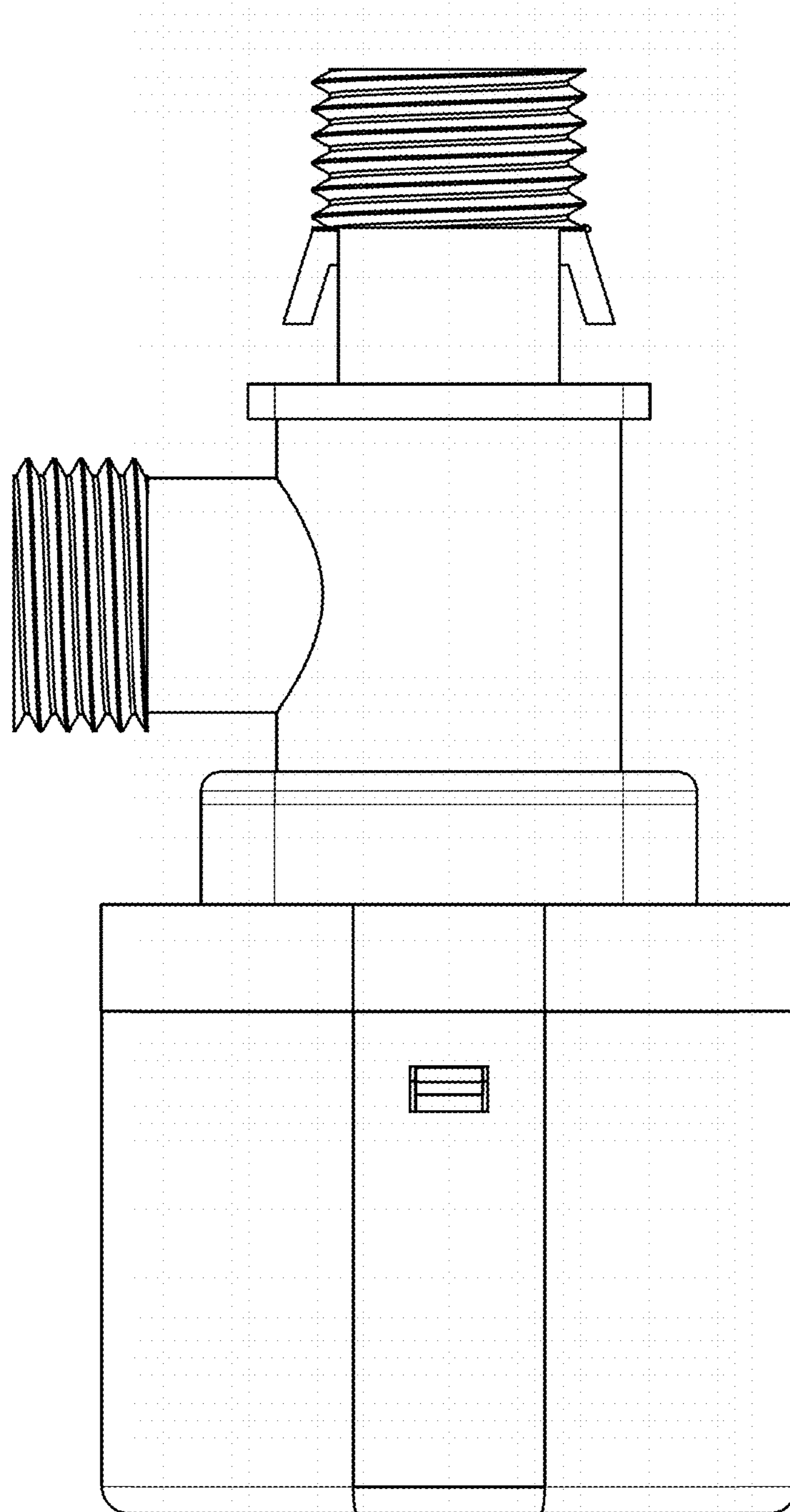
**1 Claim, 7 Drawing Sheets**



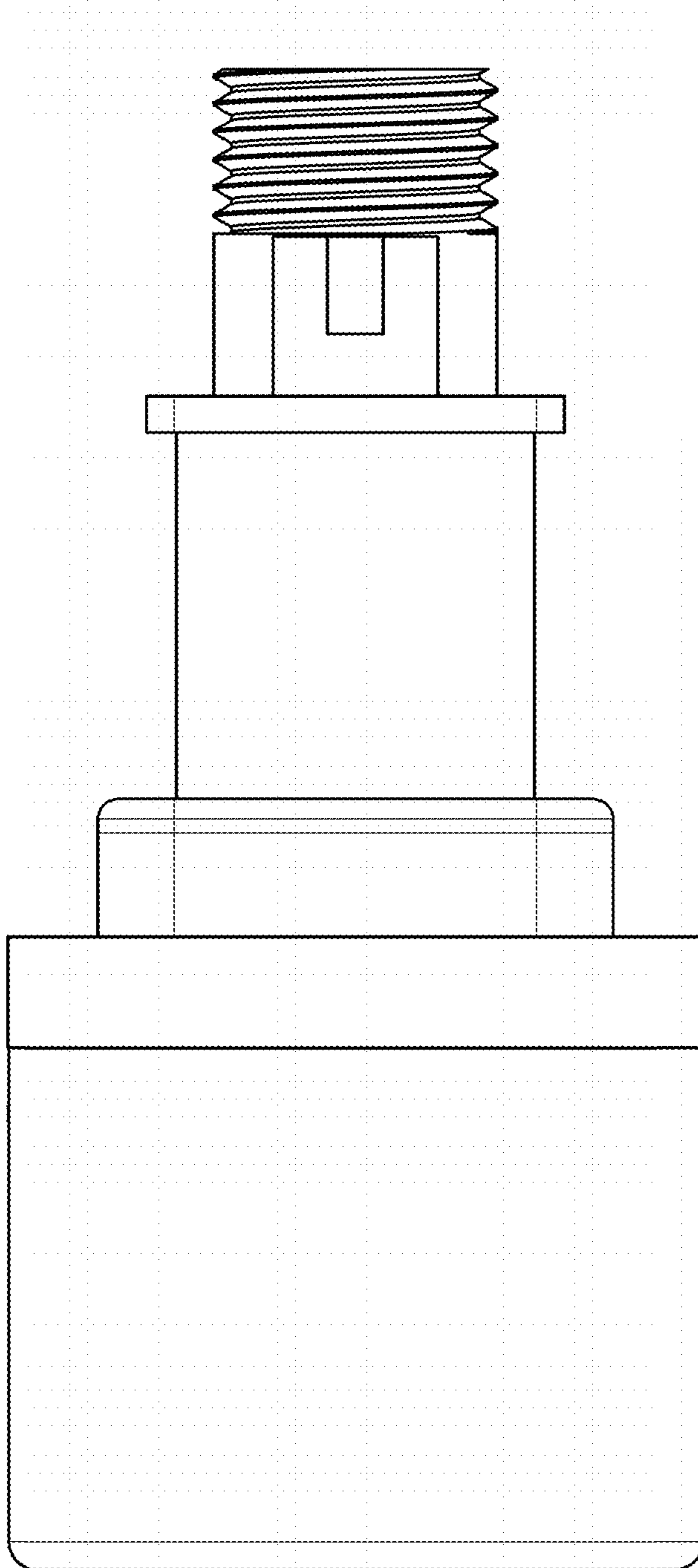
*Fig. 1*



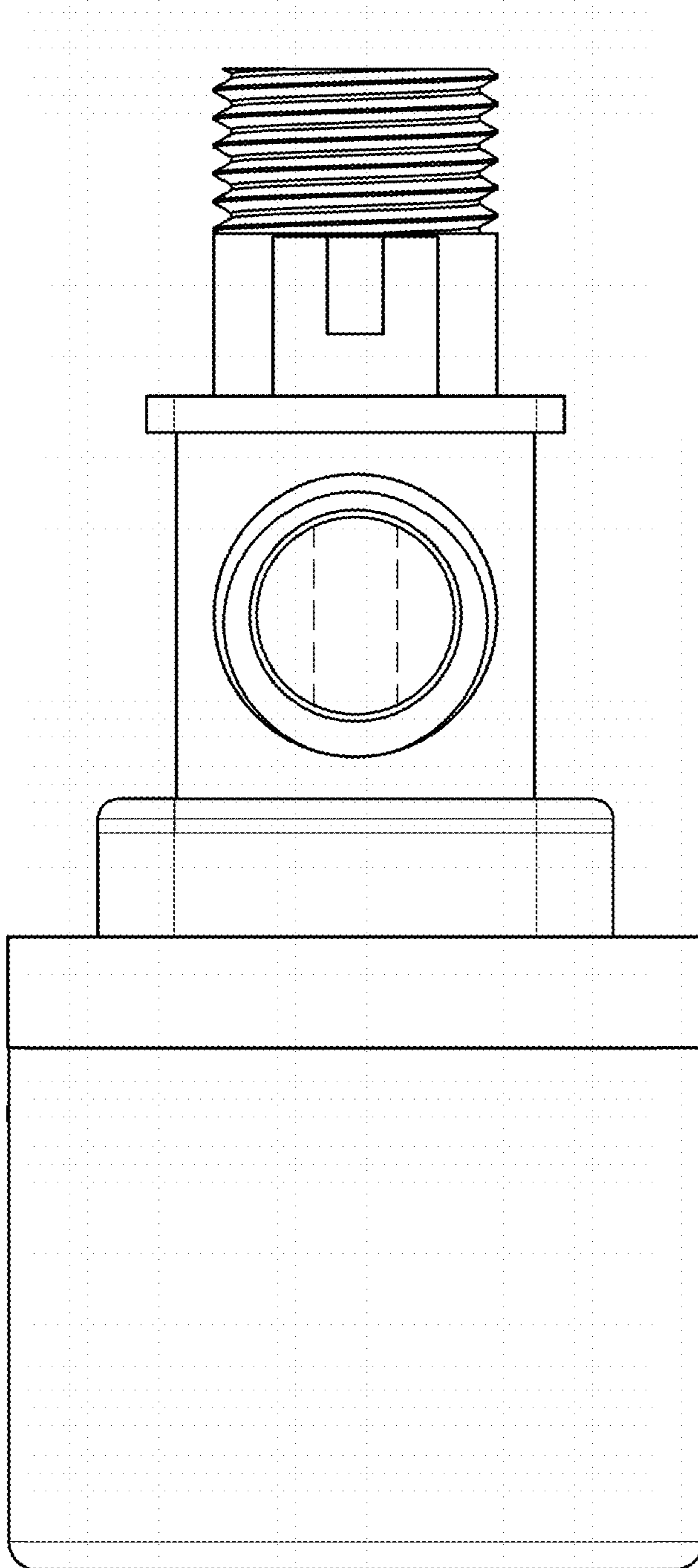
*Fig. 2*



*Fig. 3*

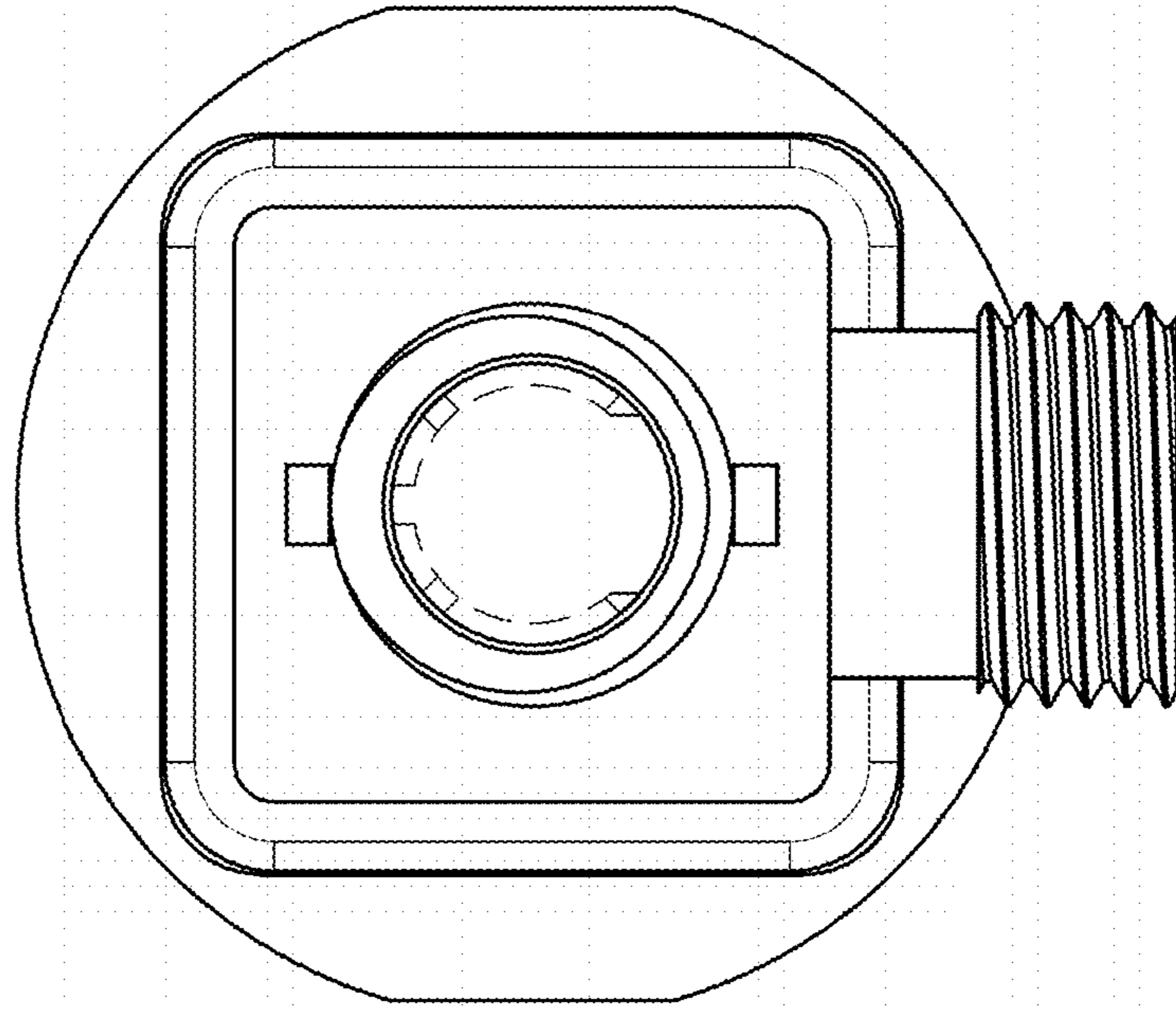


*Fig. 4*

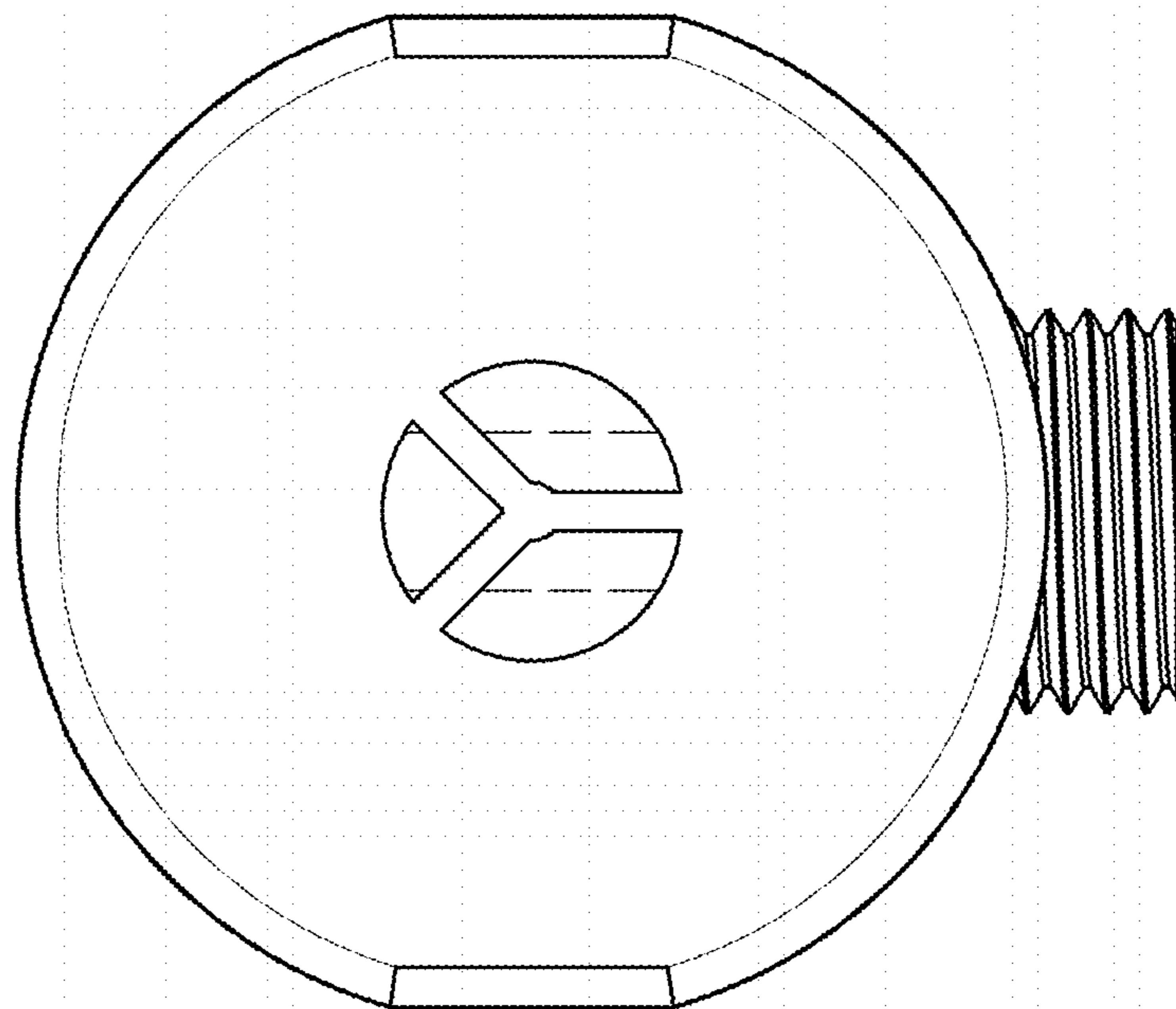




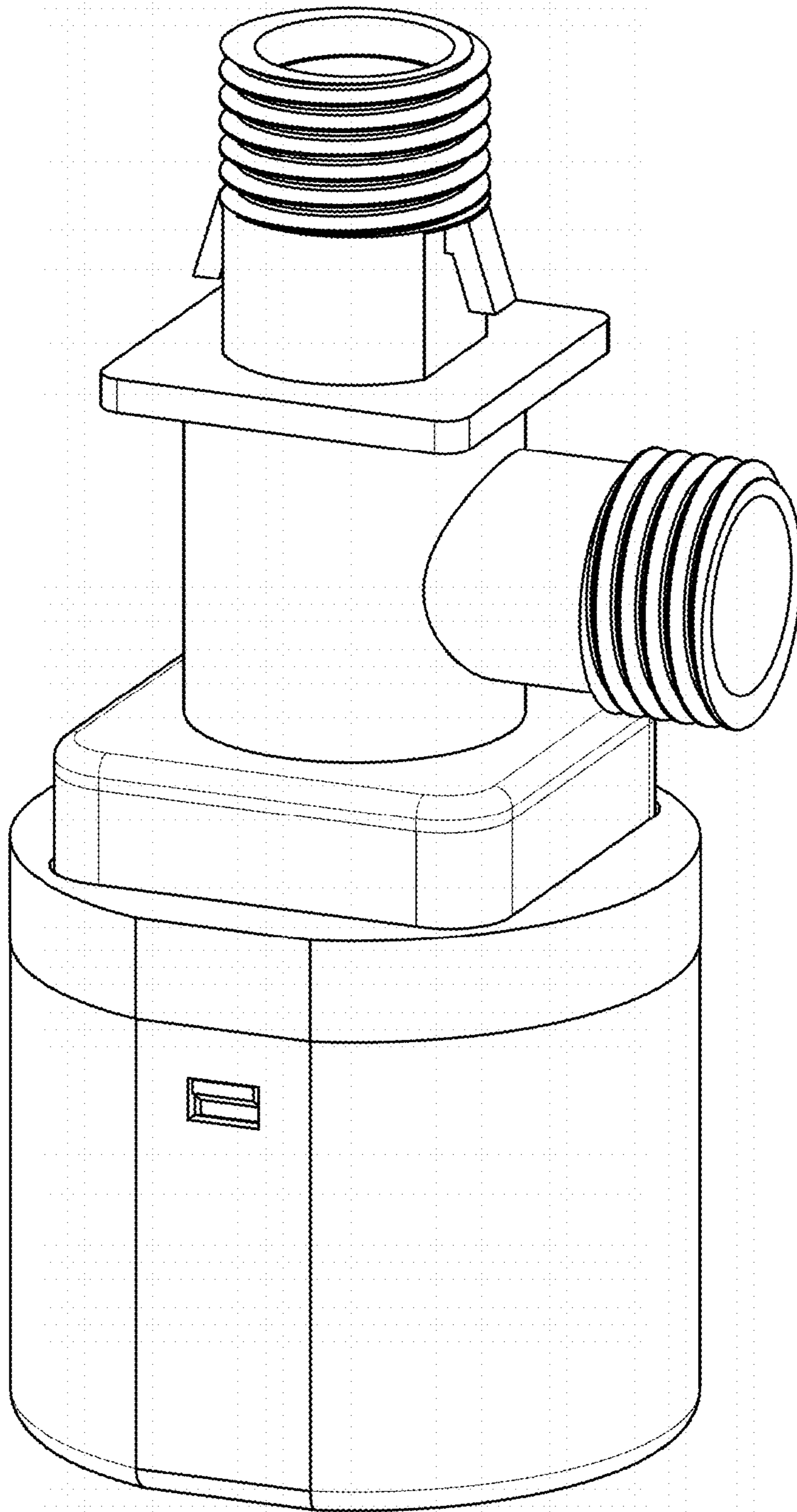
*Fig. 5*



*Fig. 6*



*Fig. 7*



*Fig. 8*

