



US00D984591S

(12) **United States Design Patent**  
**Yang et al.**

(10) **Patent No.:** **US D984,591 S**  
(45) **Date of Patent:** **\*\* Apr. 25, 2023**

(54) **FAUCET KIT**

D523,113 S \* 6/2006 Koury ..... D23/249  
D529,137 S \* 9/2006 Chu ..... D23/242  
D547,830 S \* 7/2007 Veltz ..... D23/252

(71) Applicant: **XIAMEN LOTA INTERNATIONAL CO., LTD.**, Xiamen (CN)

(Continued)

(72) Inventors: **Yanping Yang**, Xiamen (CN); **Fahong Chen**, Xiamen (CN); **Yunlong Xie**, Xiamen (CN); **Liming Ye**, Xiamen (CN); **Chuanbao Zhu**, Xiamen (CN)

**OTHER PUBLICATIONS**

Project Source Brice Chrome 2-handle Low-arc Kitchen Faucet (Deck Plate Included): <https://www.lowes.com/pd/Project-Source-Chrome-2-Handle-Deck-Mount-Low-Arc-Handle-Lever-Residential-Kitchen-Faucet/1000792132> (Year: 2019).\*

(Continued)

(73) Assignee: **XIAMEN LOTA INTERNATIONAL CO., LTD.**, Xiamen (CN)

*Primary Examiner* — Robert A Delehanty

(\*\*) Term: **15 Years**

(57) **CLAIM**

(21) Appl. No.: **29/843,486**

The ornamental design for a faucet kit, as shown and described.

(22) Filed: **Jun. 21, 2022**

**DESCRIPTION**

(51) **LOC (14) Cl.** ..... **23-01**

(52) **U.S. Cl.**  
USPC ..... **D23/242**

(58) **Field of Classification Search**  
USPC ..... D23/238, 241–243, 249–250, 252, 254;  
D8/307–308, 352  
See application file for complete search history.

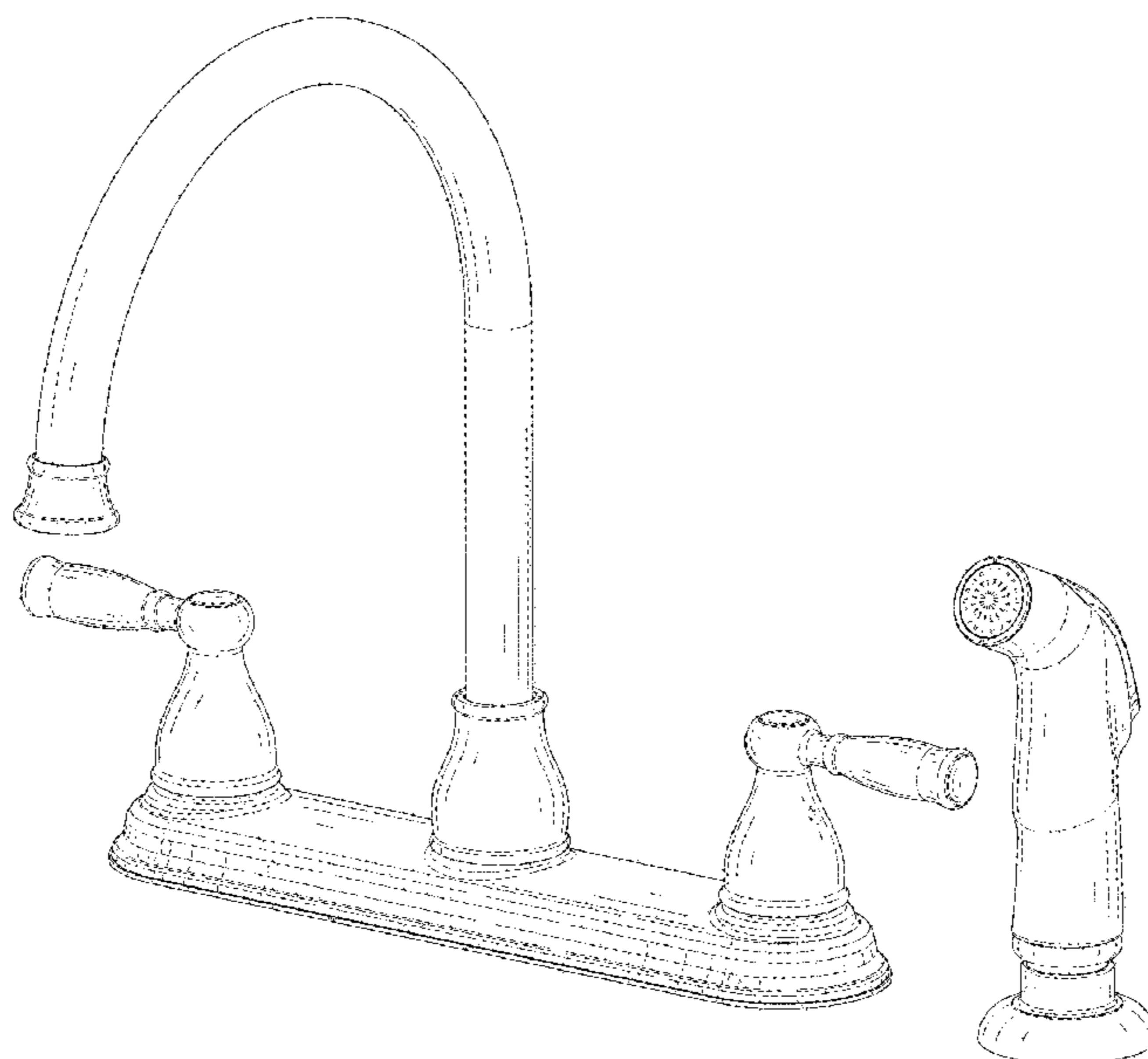
(56) **References Cited**

**U.S. PATENT DOCUMENTS**

D321,750 S *	11/1991	Spangler	.....	D23/241
5,127,427 A *	7/1992	Kajpust	.....	E03C 1/0402 251/351
D383,194 S *	9/1997	Doughty	.....	D23/249
D399,925 S *	10/1998	Lord	.....	D23/241
D438,292 S *	2/2001	Lord	.....	D23/249
6,301,728 B1 *	10/2001	Pilatowicz	.....	E03C 1/0402 4/677
D468,403 S *	1/2003	Panis	.....	D23/242
6,619,567 B1 *	9/2003	Ouyoung	.....	E03C 1/0404 239/443
D509,566 S *	9/2005	Yegyayan	.....	D23/249

FIG. 1 is a perspective view of a first embodiment of a faucet kit showing our new design;  
FIG. 2 is another perspective view thereof;  
FIG. 3 is a front elevational view thereof;  
FIG. 4 is a rear elevational view thereof;  
FIG. 5 is a left side elevational view thereof;  
FIG. 6 is a right side elevational view thereof;  
FIG. 7 is a top plan view thereof;  
FIG. 8 is a bottom plan view thereof;  
FIG. 9 is a perspective view of a second embodiment of the faucet kit;  
FIG. 10 is another perspective view thereof;  
FIG. 11 is a front elevational view thereof;  
FIG. 12 is a rear elevational view thereof;  
FIG. 13 is a left side elevational view thereof;  
FIG. 14 is a right side elevational view thereof;  
FIG. 15 is a top plan view thereof; and,  
FIG. 16 is a bottom plan view thereof.  
The broken lines in the drawings depict portions of the faucet kit that form no part of the claimed design.

**1 Claim, 16 Drawing Sheets**



(56)

**References Cited**

U.S. PATENT DOCUMENTS

7,322,535 B2 \* 1/2008 Erdely ..... E03C 1/0404  
239/428  
9,234,335 B2 \* 1/2016 Thomas ..... E03C 1/04  
D820,409 S \* 6/2018 Zeng ..... D23/242  
D855,769 S 8/2019 Eads  
D874,614 S 2/2020 Lazarini  
2006/0169801 A1 \* 8/2006 Zhu ..... B05B 15/00  
239/525

OTHER PUBLICATIONS

Project Source Brice Stainless Steel 2-handle High-arc Kitchen  
Faucet with Sprayer Function (Deck Plate Included): [https://www.  
lowes.com/pd/Project-Source-Two-Lever-Handle-Kitchen-Faucet/  
1002861472](https://www.lowes.com/pd/Project-Source-Two-Lever-Handle-Kitchen-Faucet/1002861472) (Year: 2021).\*

\* cited by examiner

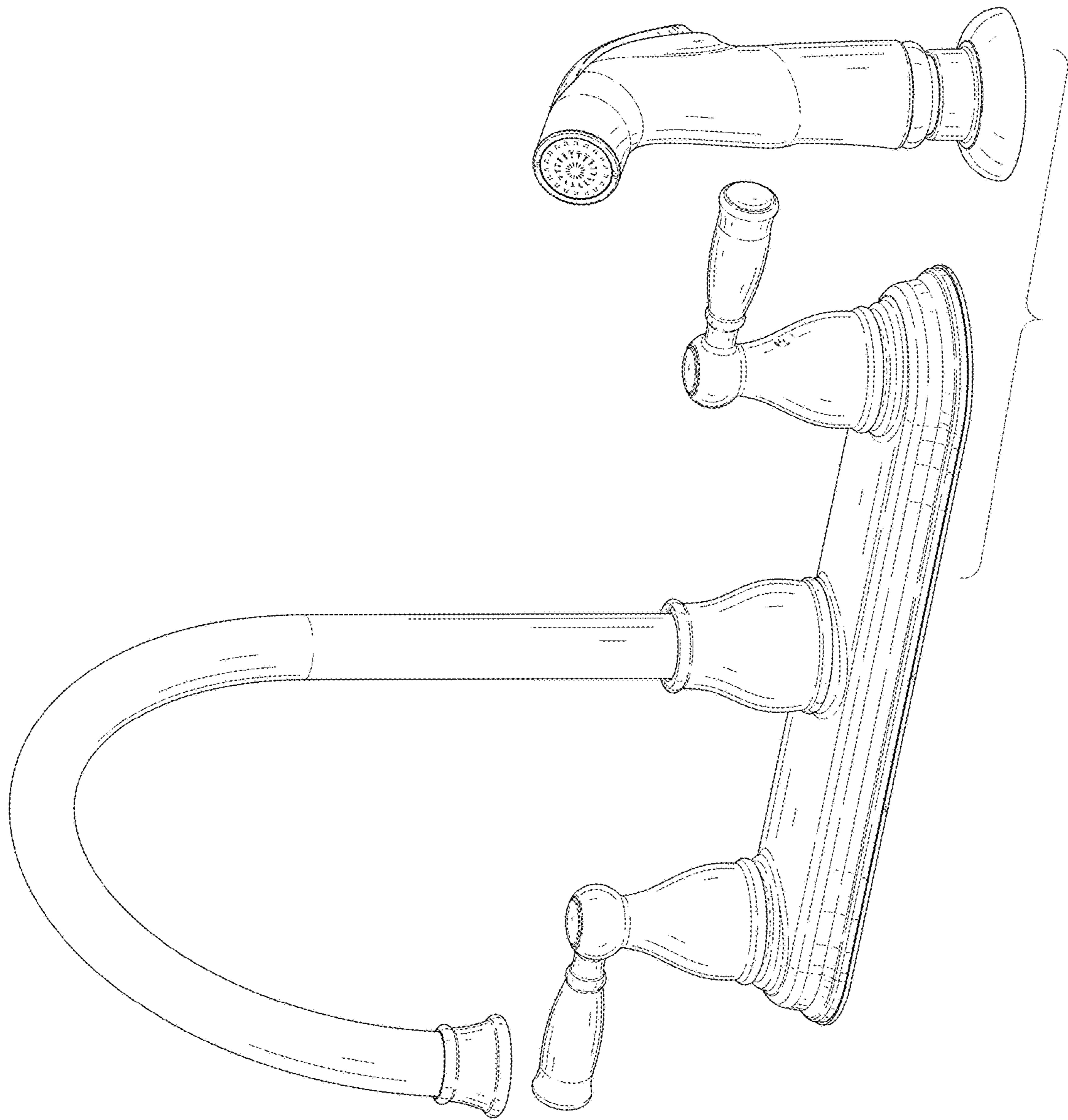


FIG. 1

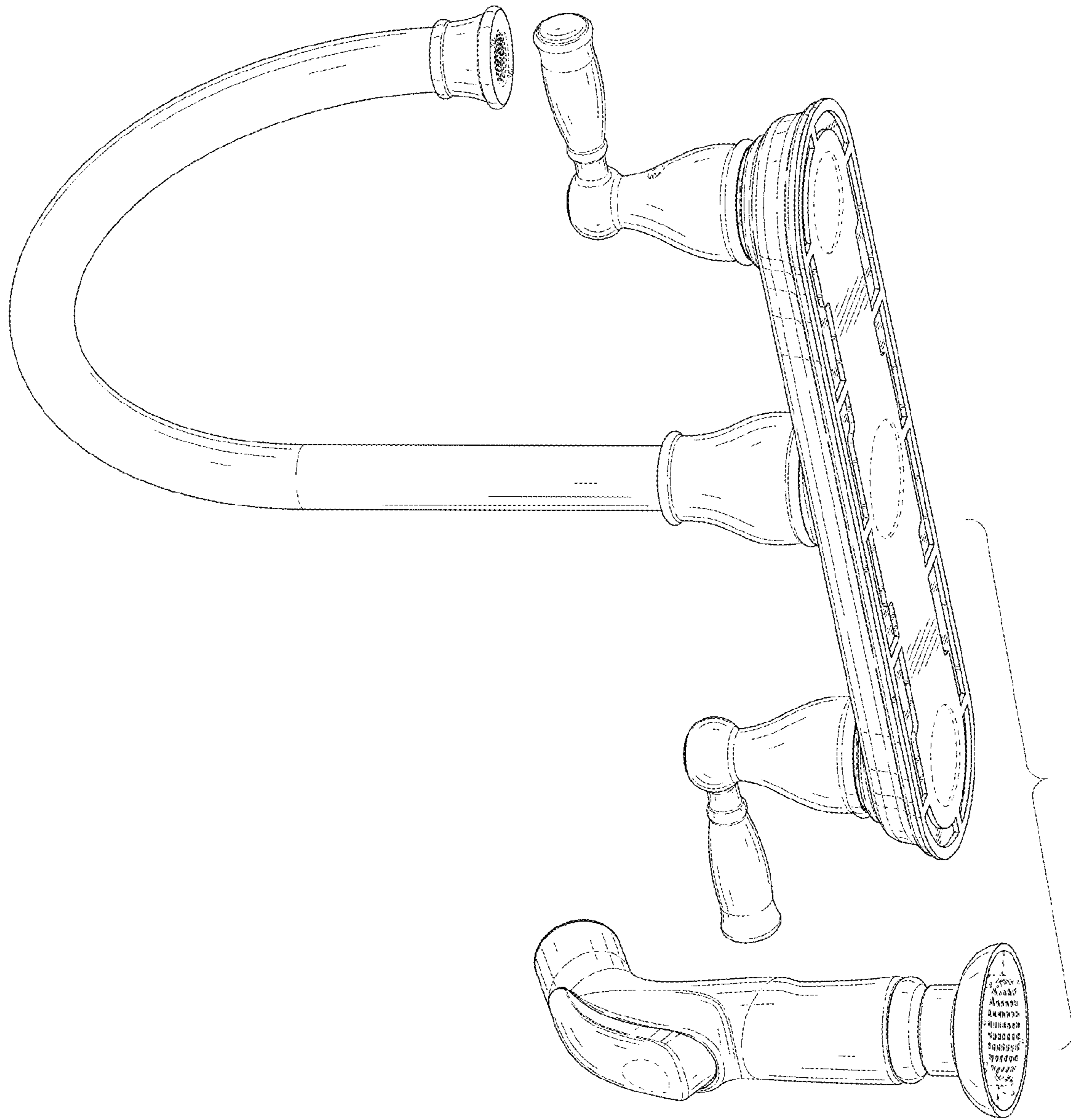


FIG. 2



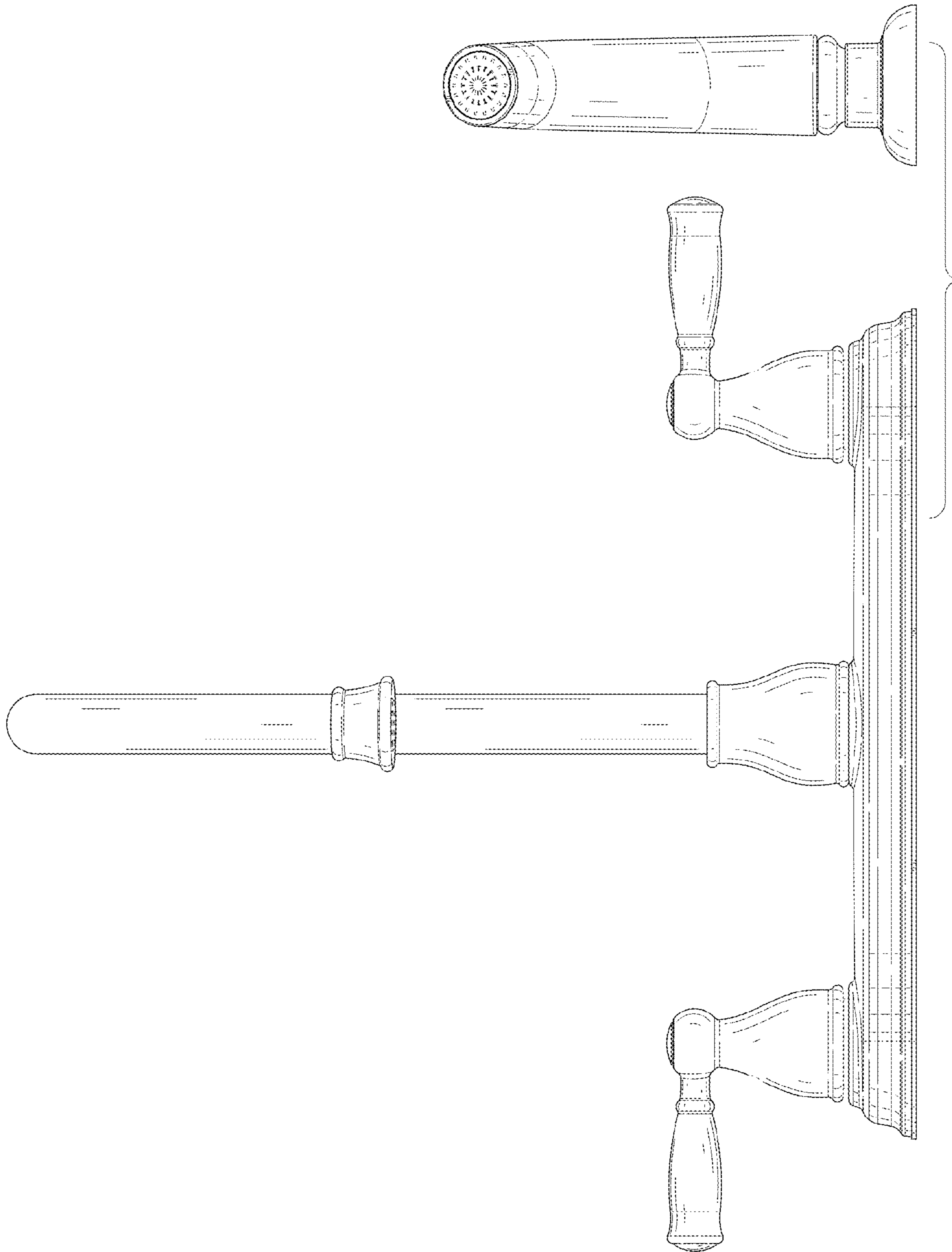


FIG. 3

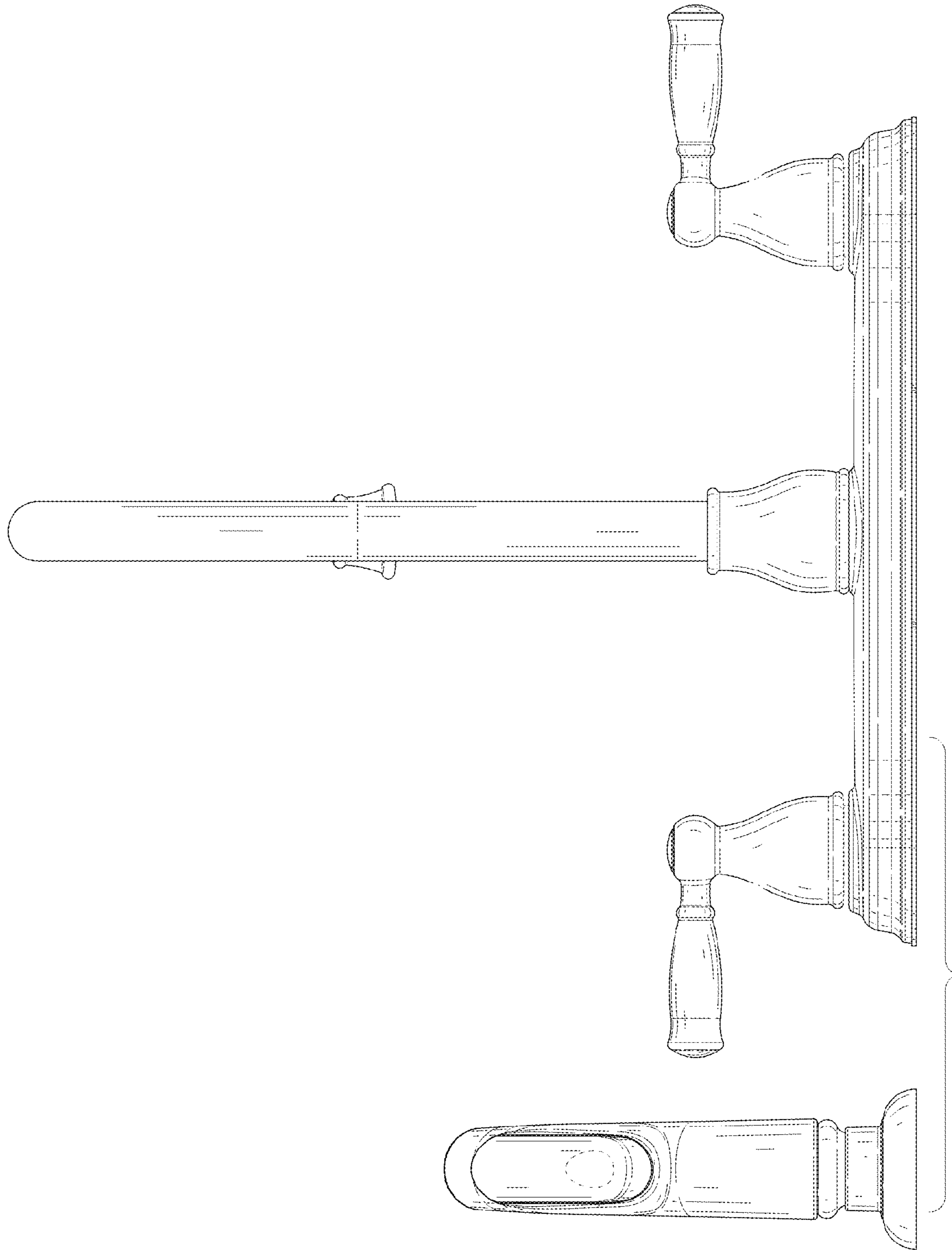


FIG. 4

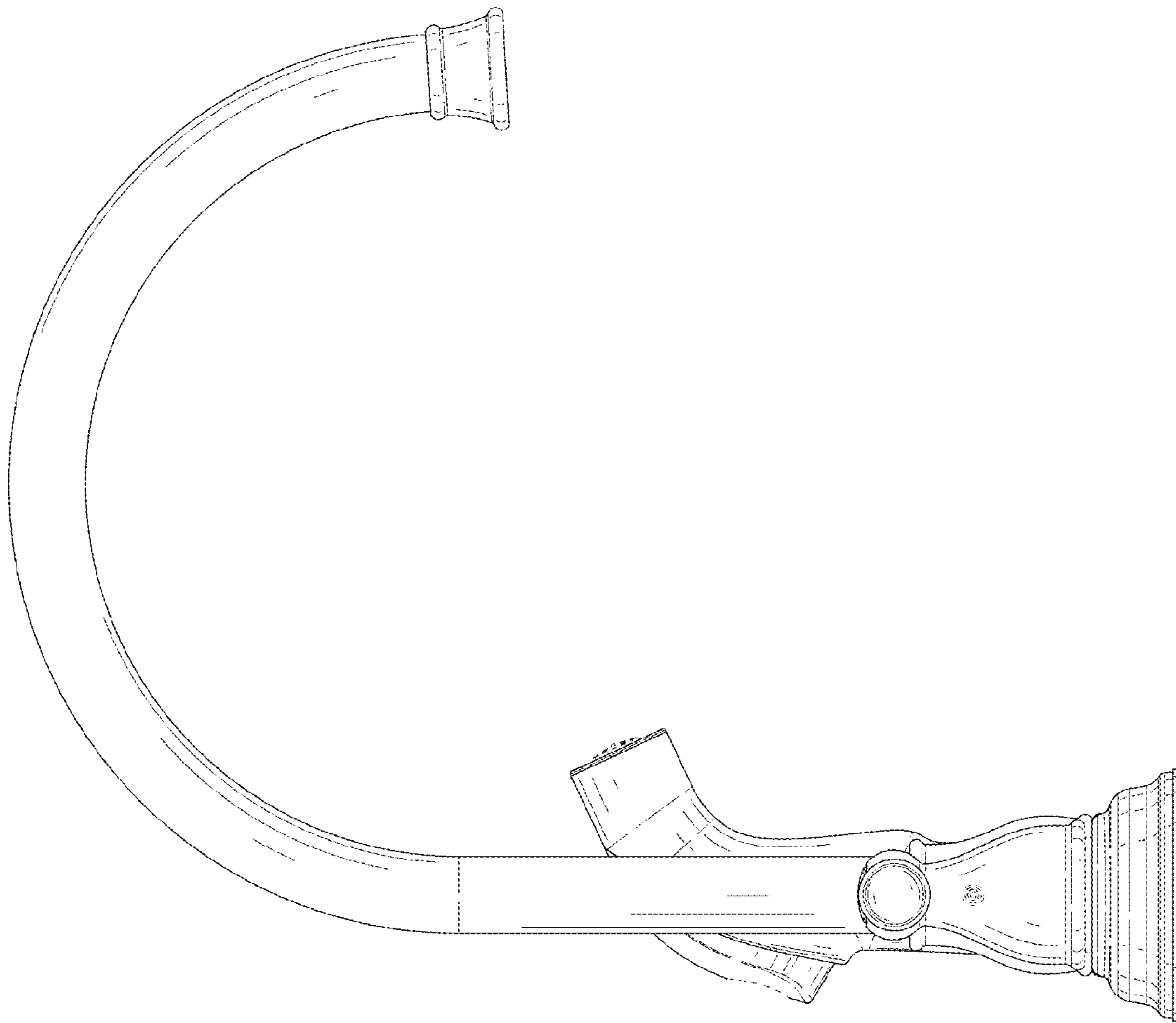


FIG. 5

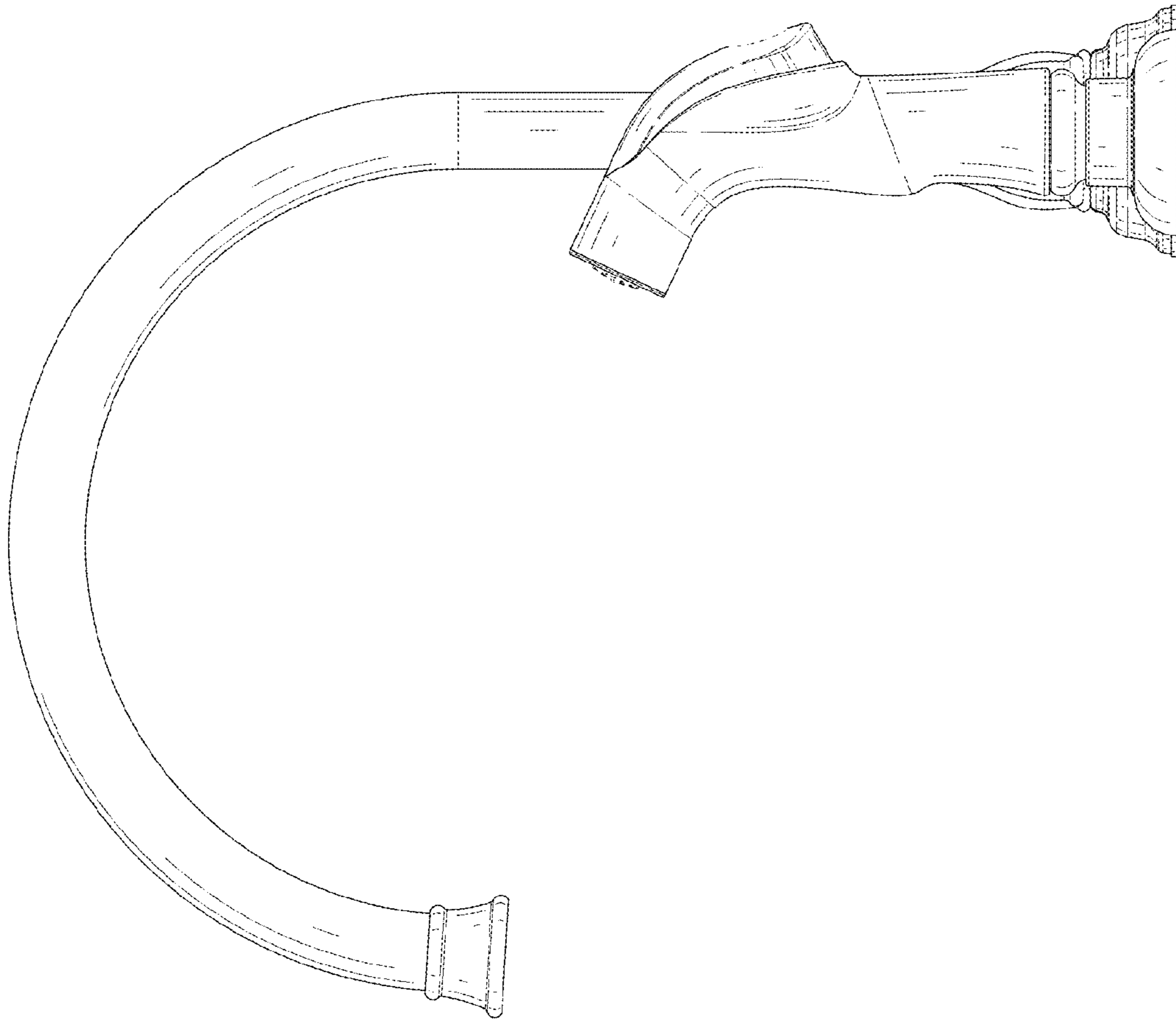


FIG. 6



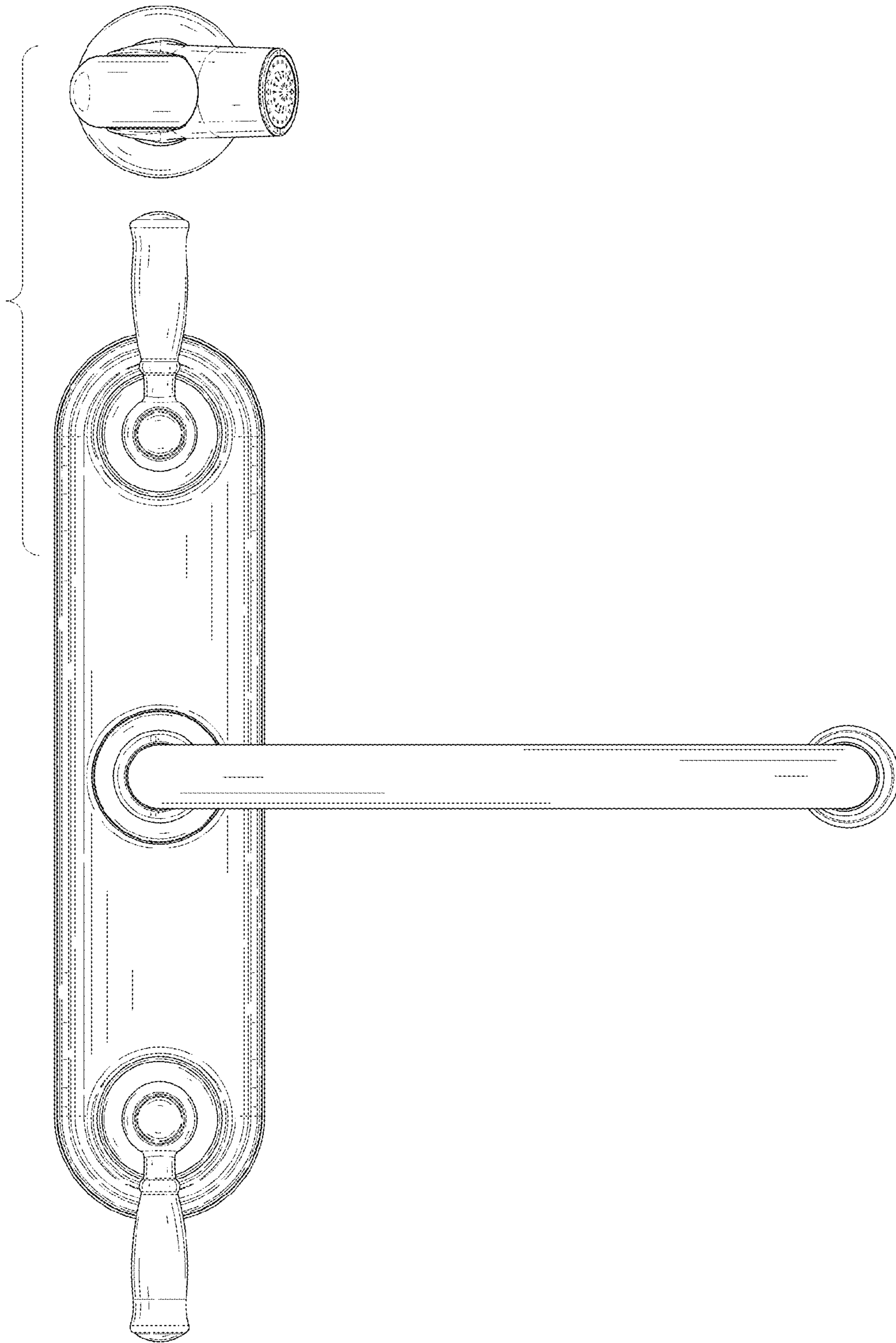


FIG. 7

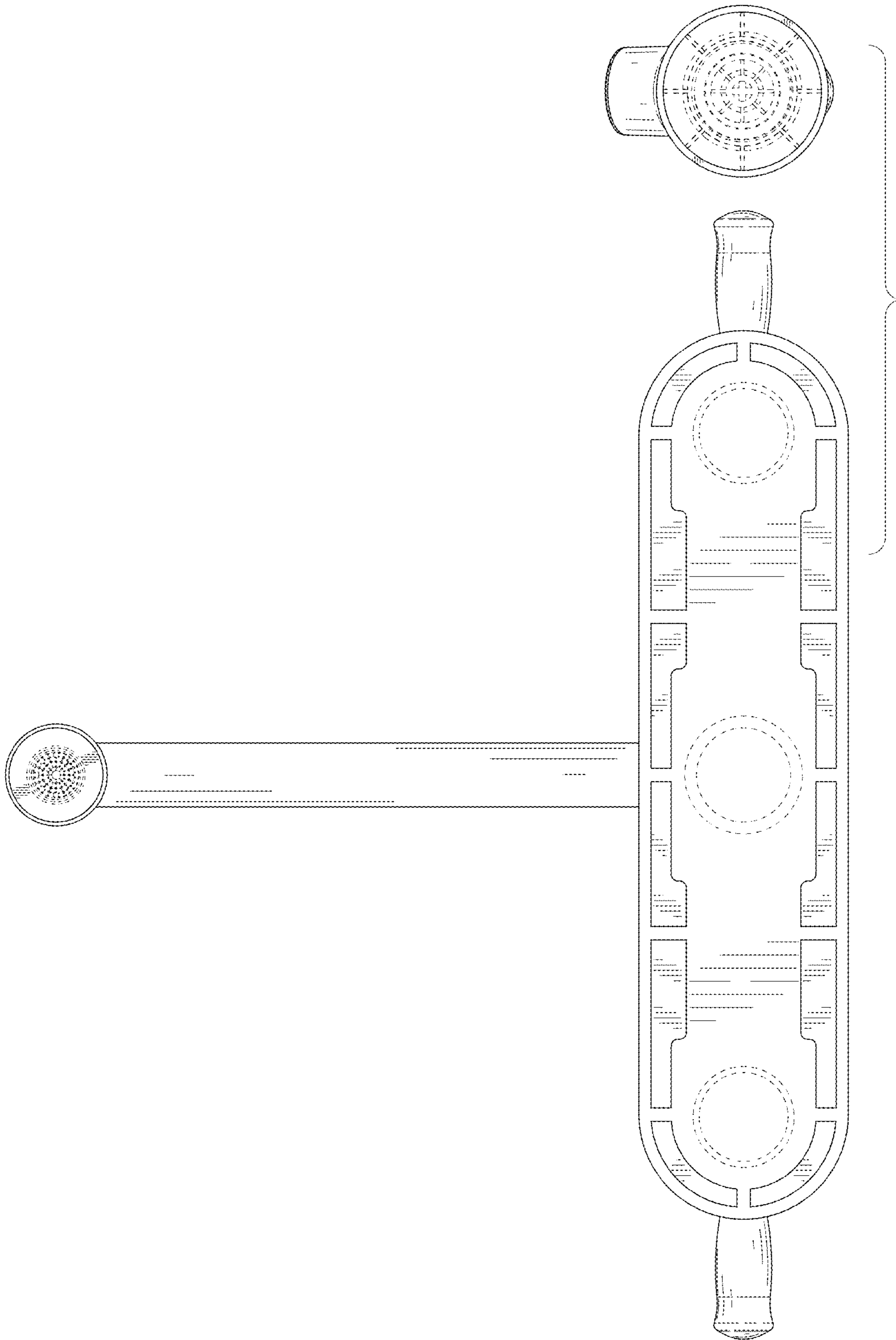


FIG. 8

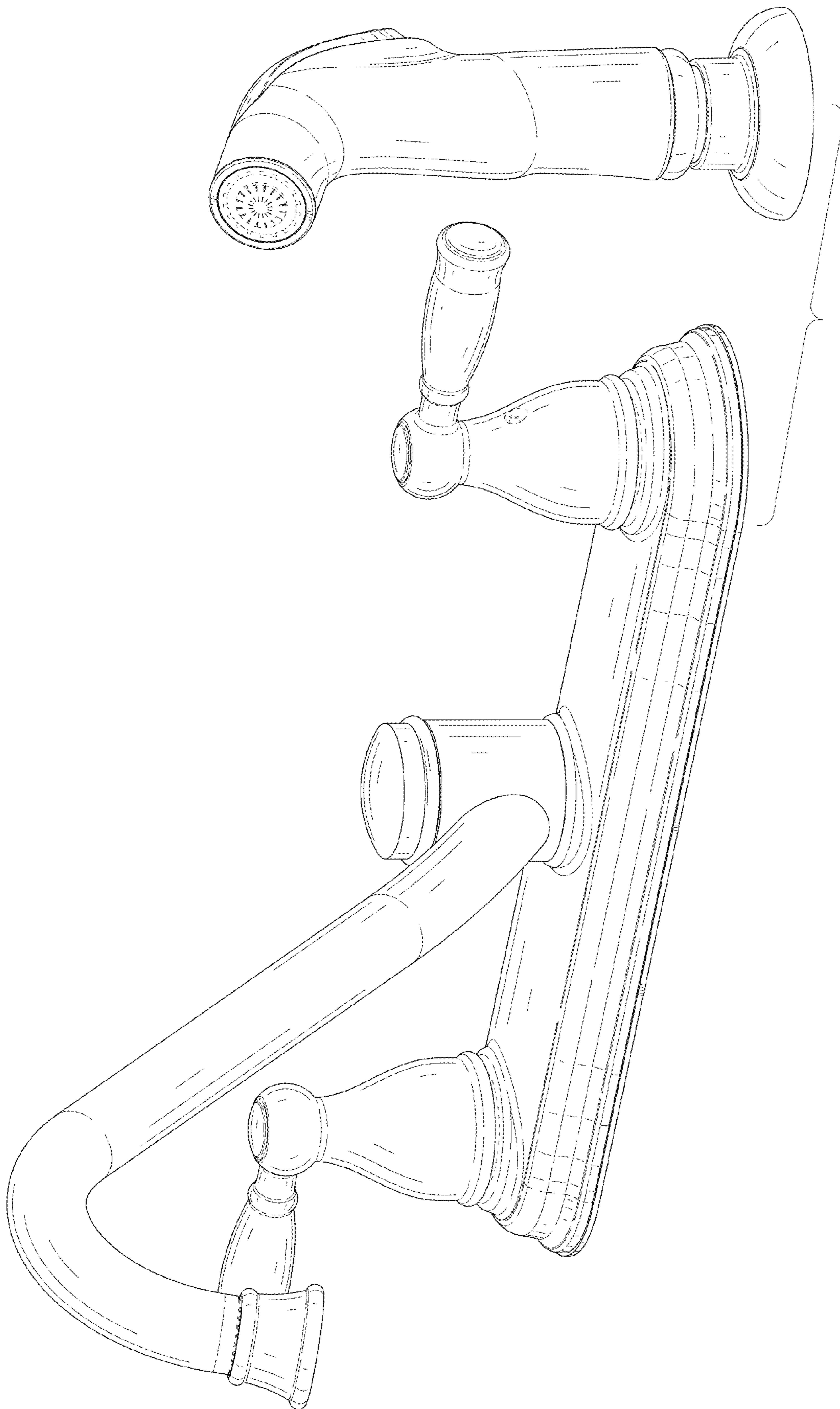


FIG. 9

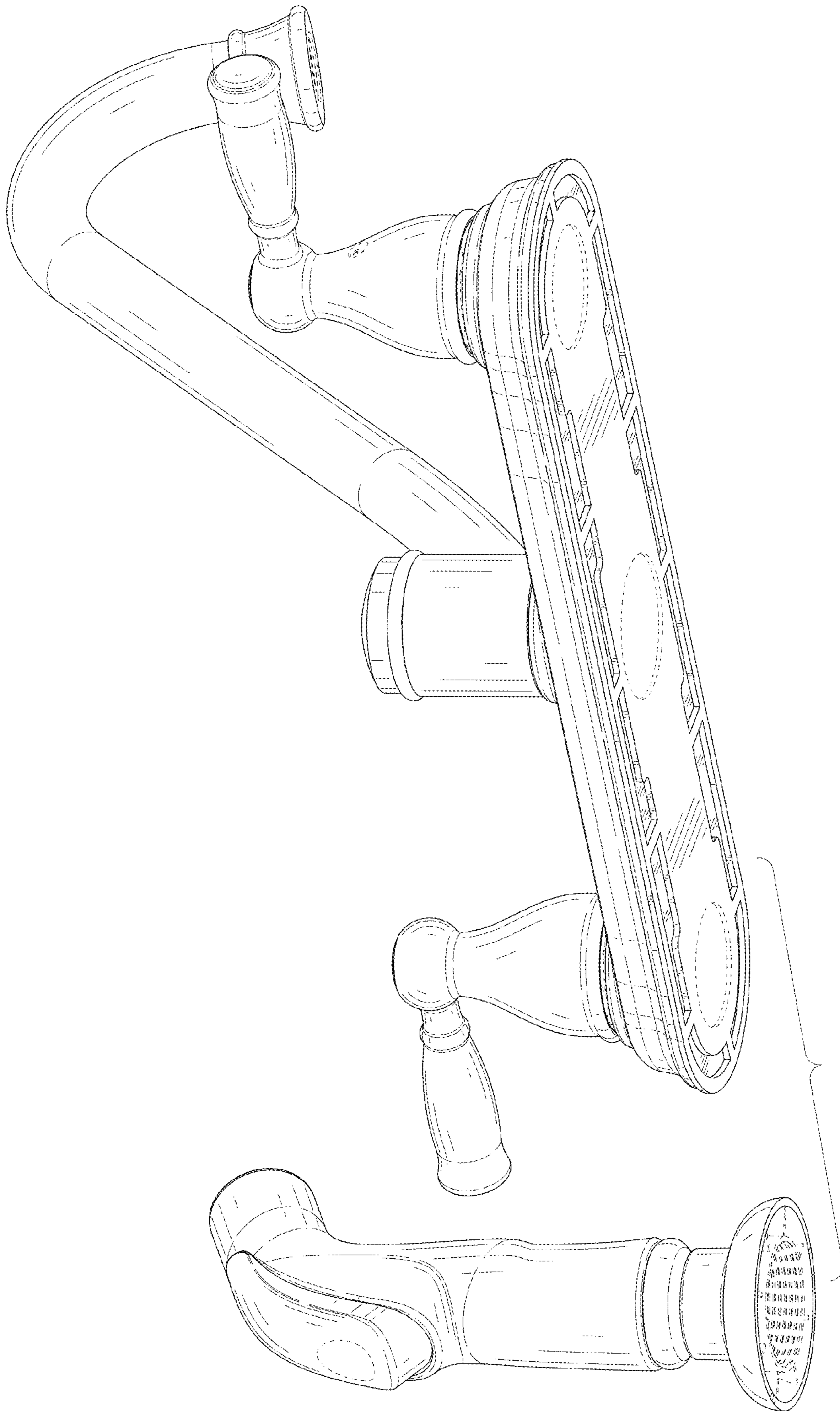


FIG. 10



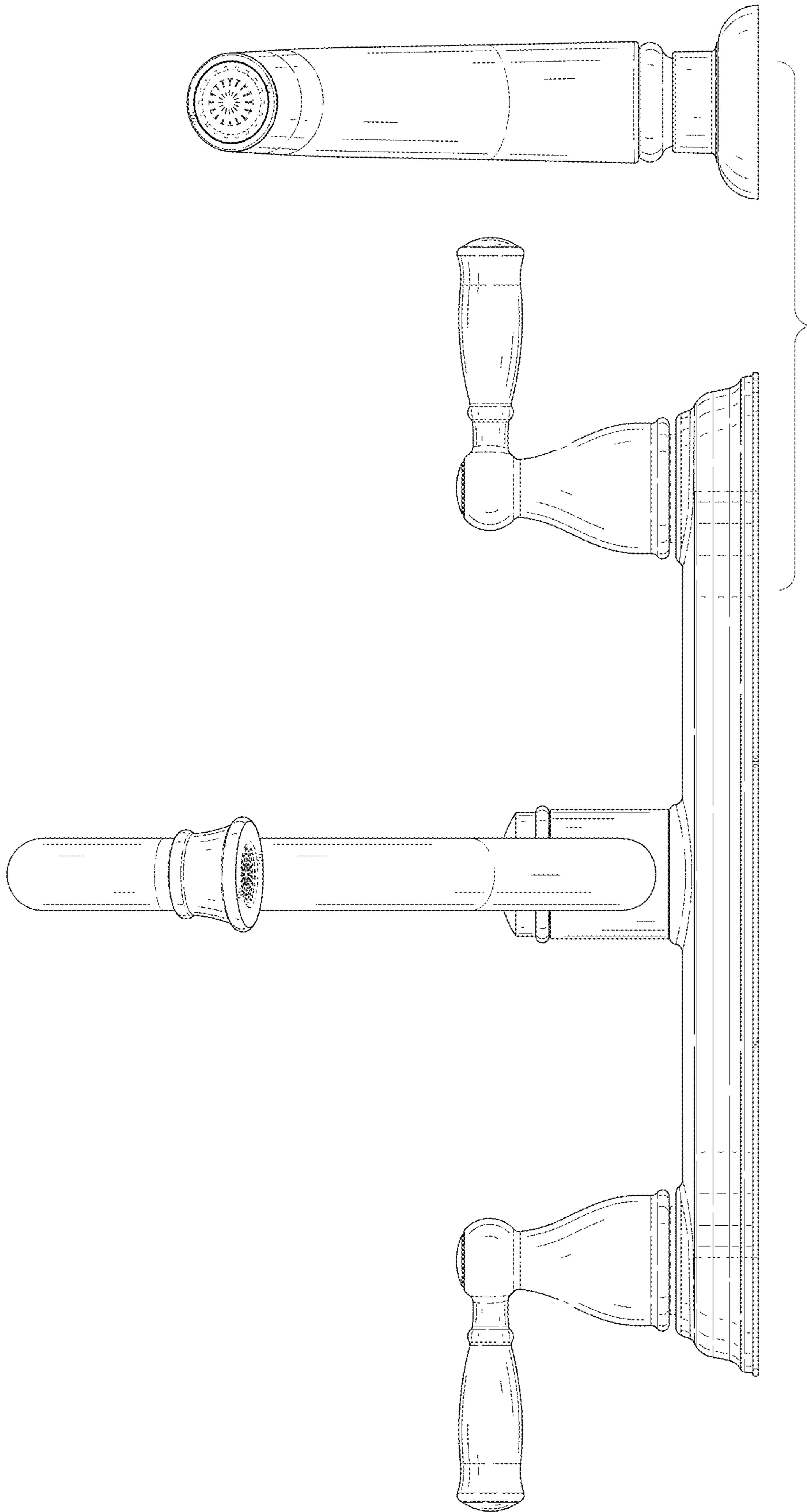


FIG. 11



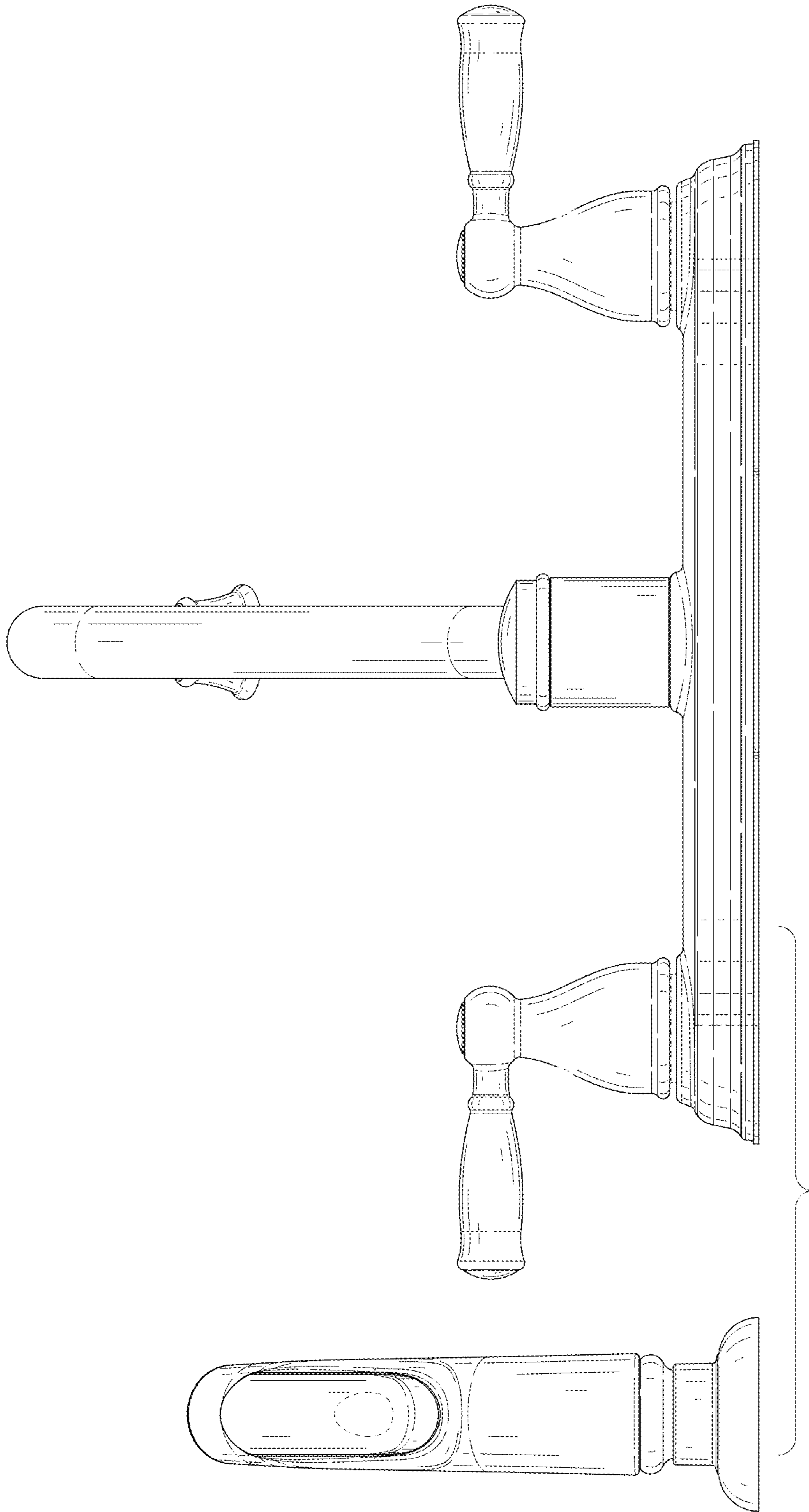


FIG. 12

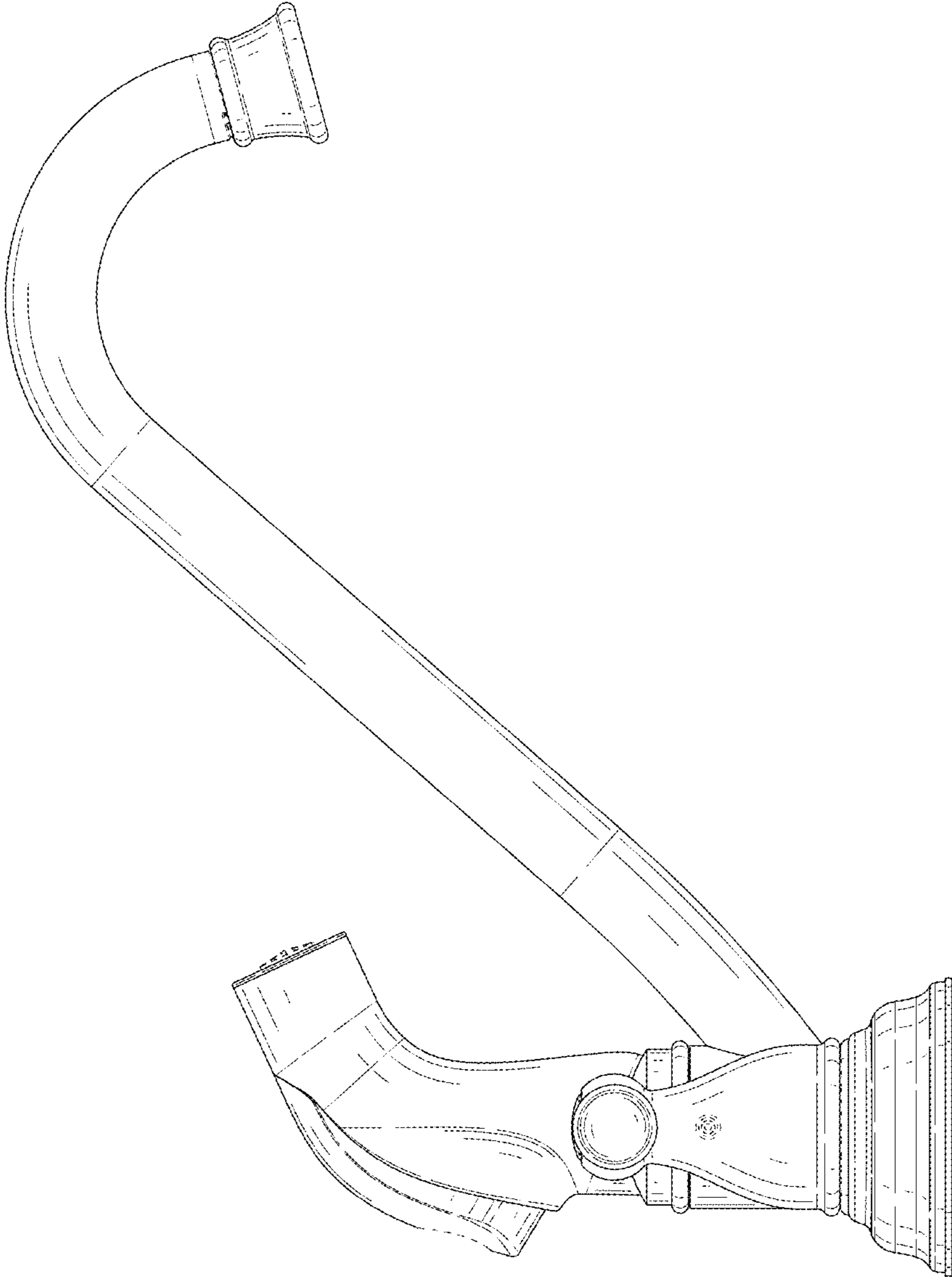


FIG. 13

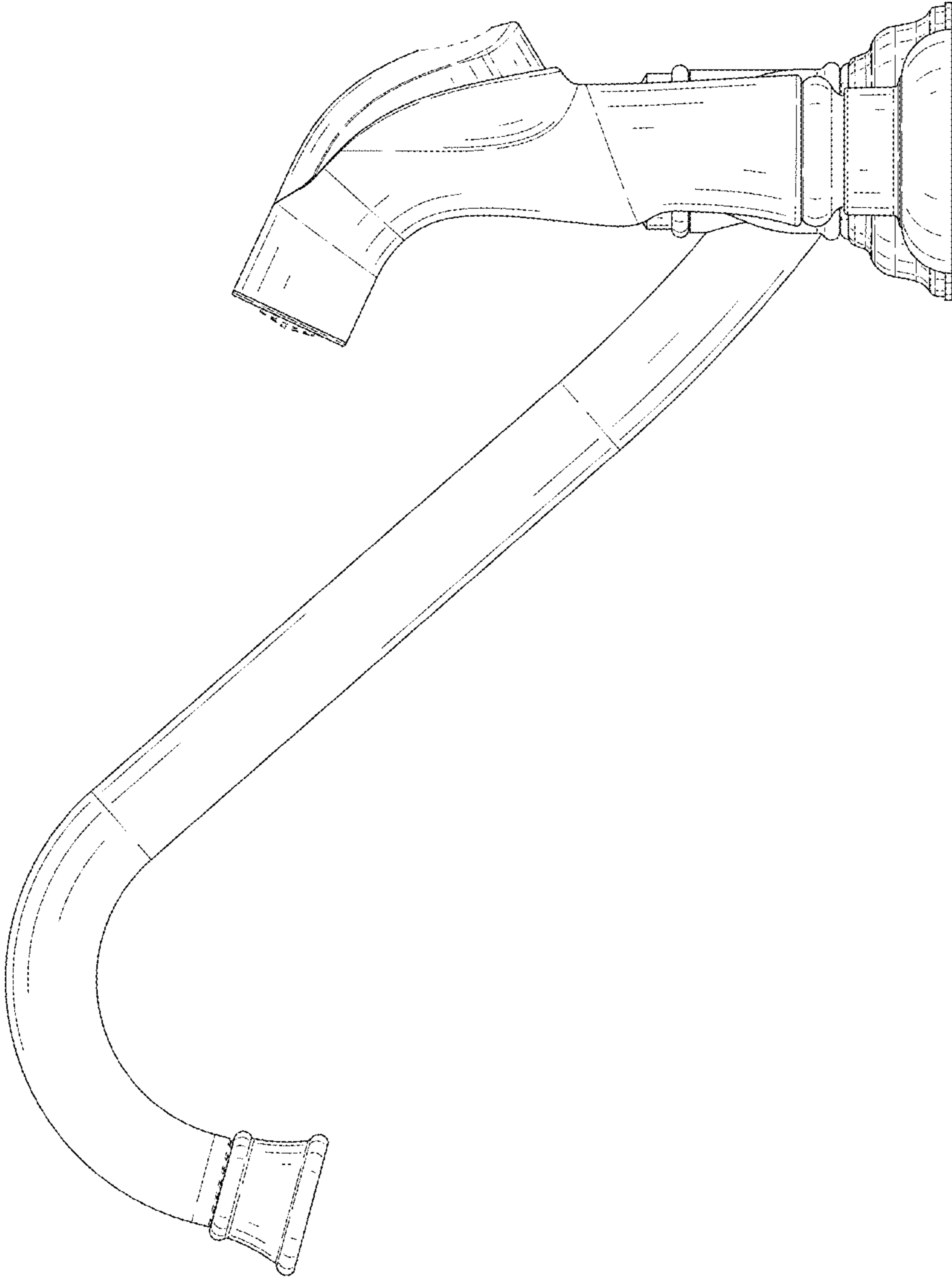


FIG. 14

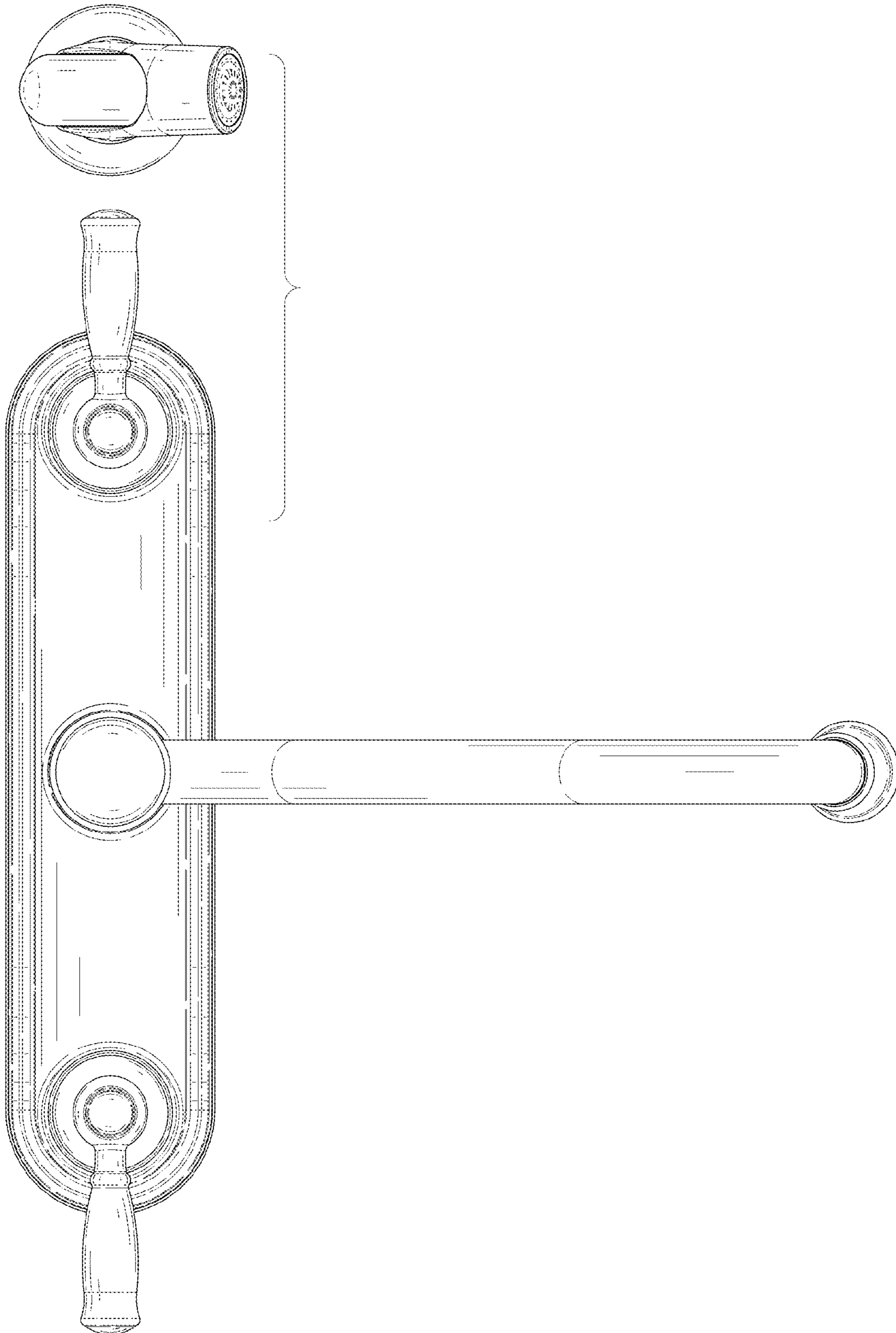


FIG. 15

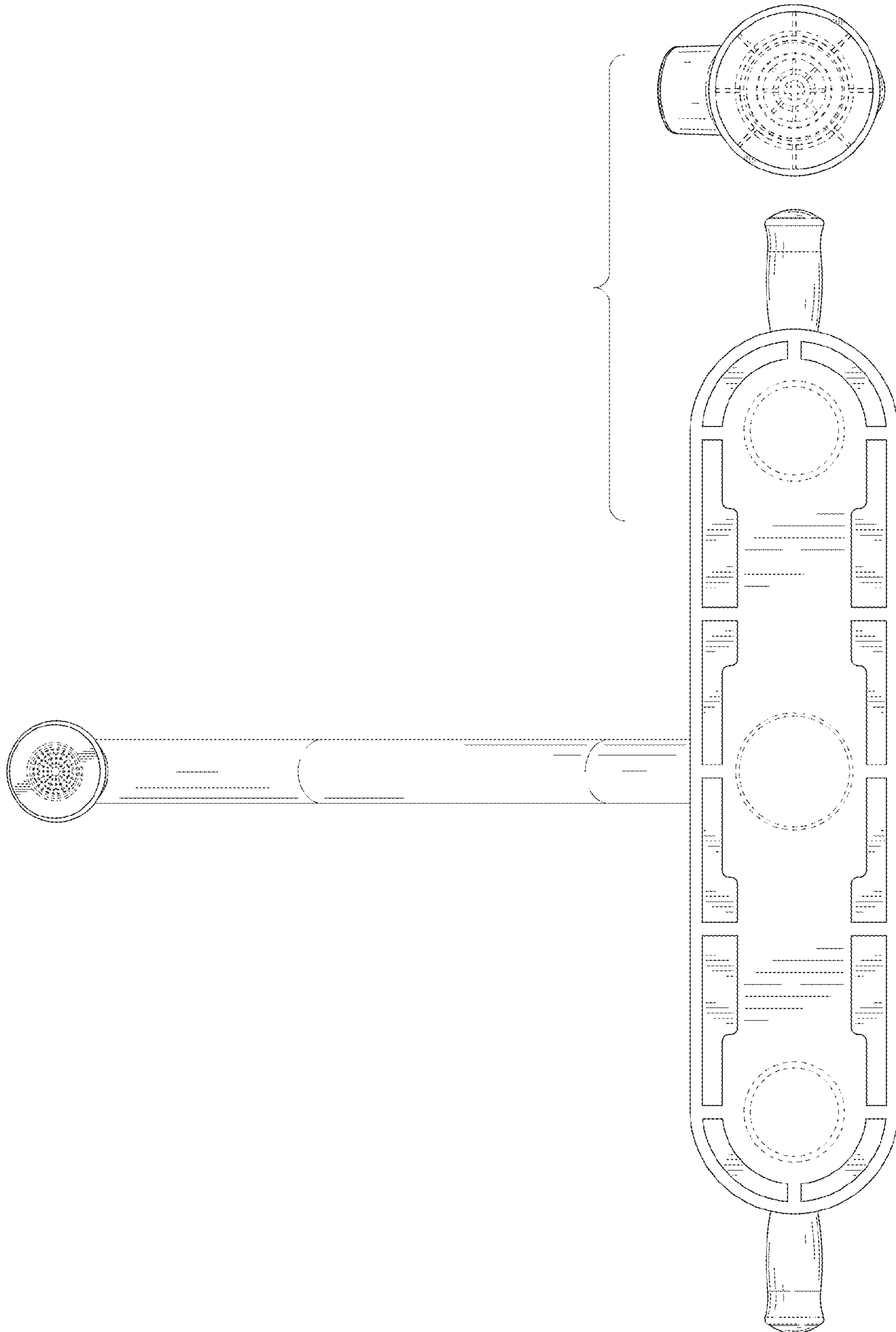


FIG. 16