



US00D984590S

(12) **United States Design Patent**
Yang et al.

(10) **Patent No.:** **US D984,590 S**

(45) **Date of Patent:** **** Apr. 25, 2023**

(54) **FAUCET**

(71) Applicant: **XIAMEN LOTA INTERNATIONAL CO., LTD.**, Xiamen (CN)

(72) Inventors: **Yanping Yang**, Xiamen (CN); **Fahong Chen**, Xiamen (CN); **Yunlong Xie**, Xiamen (CN); **Liming Ye**, Xiamen (CN)

(73) Assignee: **XIAMEN LOTA INTERNATIONAL CO., LTD.**, Xiamen (CN)

(**) Term: **15 Years**

(21) Appl. No.: **29/869,280**

(22) Filed: **Dec. 28, 2022**

Related U.S. Application Data

(62) Division of application No. 29/843,494, filed on Jun. 21, 2022.

(51) **LOC (14) Cl.** **23-01**

(52) **U.S. Cl.**
USPC **D23/241**

(58) **Field of Classification Search**
USPC D23/238, 241–243, 249–250, 252, 254;
D8/307–308, 352

See application file for complete search history.

(56) **References Cited**

U.S. PATENT DOCUMENTS

D373,179	S	*	8/1996	Sieger	D23/241
D461,540	S	*	8/2002	Gottwald	D23/257
D535,725	S	*	1/2007	Chu	D23/242
D564,073	S	*	3/2008	Shieh	D23/238
D793,532	S		8/2017	Fritz et al.		
D793,534	S	*	8/2017	Fritz	D23/242
D794,758	S	*	8/2017	Block	D23/249
D900,968	S		11/2020	Garland et al.		
D905,826	S	*	12/2020	Zhao	D23/242
2020/0270852	A1	*	8/2020	Manga	E03C 1/04

* cited by examiner

Primary Examiner — Robert A Delehanty

(57) **CLAIM**

The ornamental design for a faucet, as shown and described.

DESCRIPTION

FIG. 1 is a perspective view of a faucet showing our new design;

FIG. 2 is another perspective view thereof;

FIG. 3 is a front elevational view thereof;

FIG. 4 is a rear elevational view thereof;

FIG. 5 is a left side elevational view thereof;

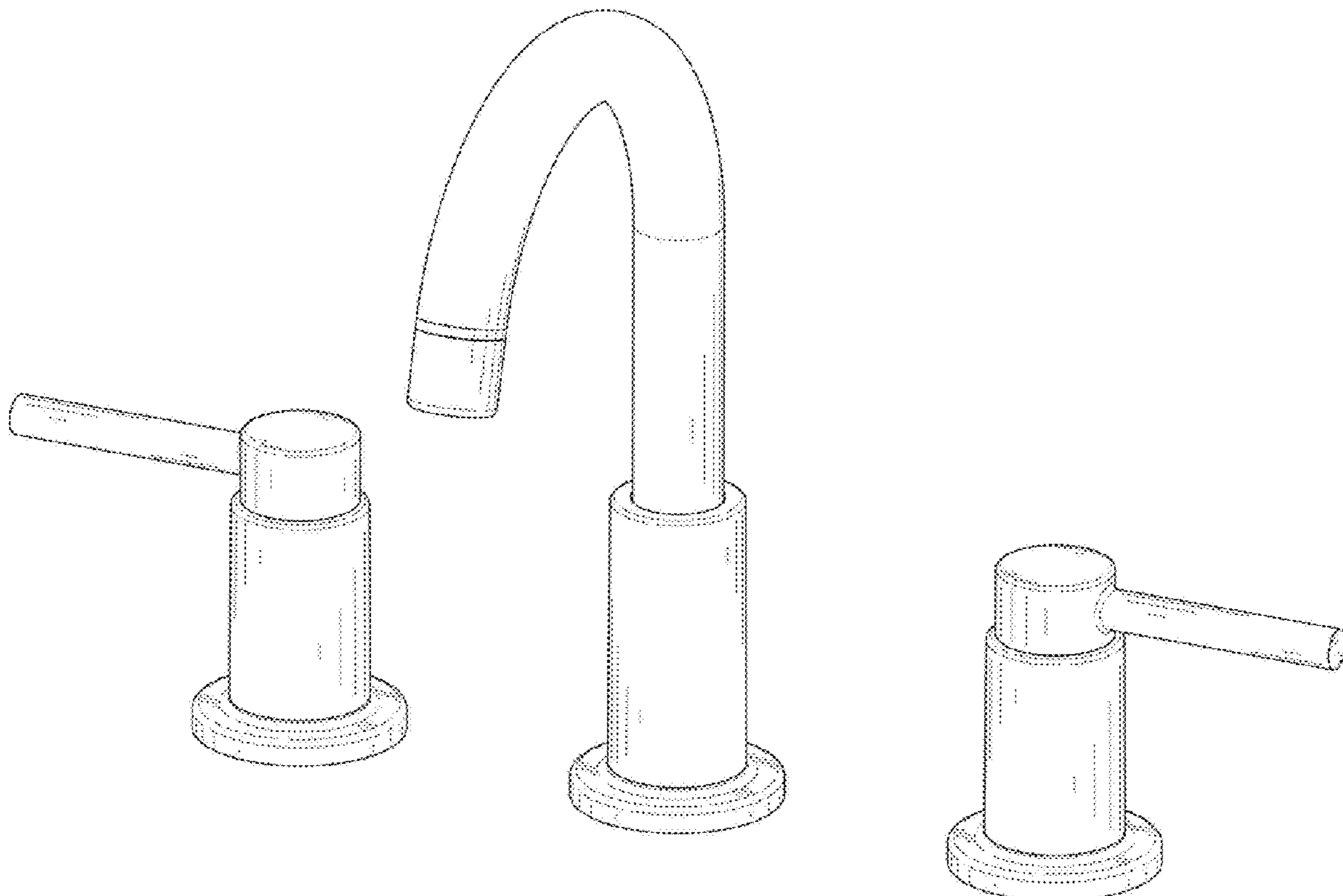
FIG. 6 is a right side elevational view thereof;

FIG. 7 is a top plan view thereof; and,

FIG. 8 is a bottom plan view thereof.

The dash-dash broken lines in the drawings depict portions of the faucet that form no part of the claimed design.

1 Claim, 8 Drawing Sheets



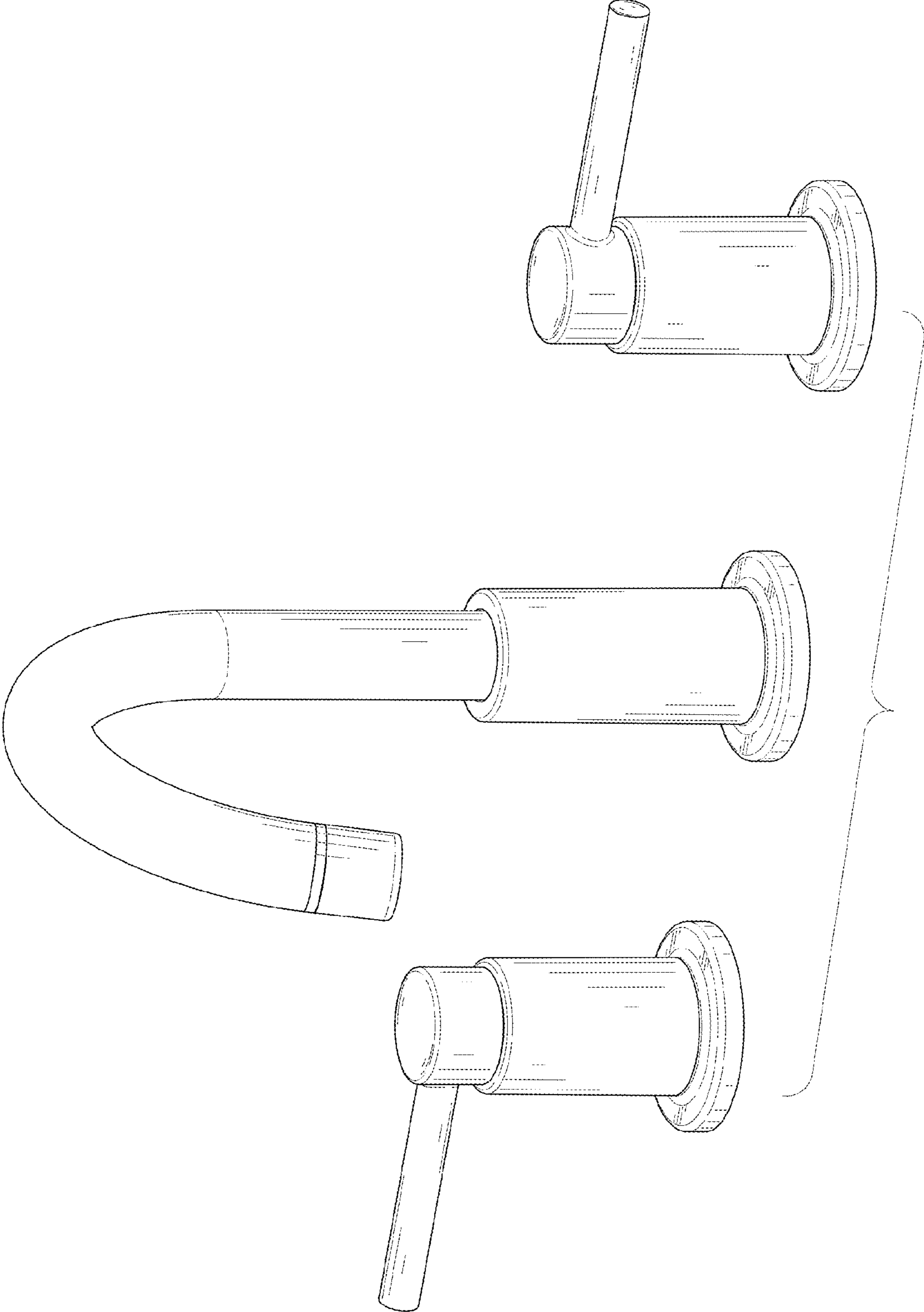


FIG. 1

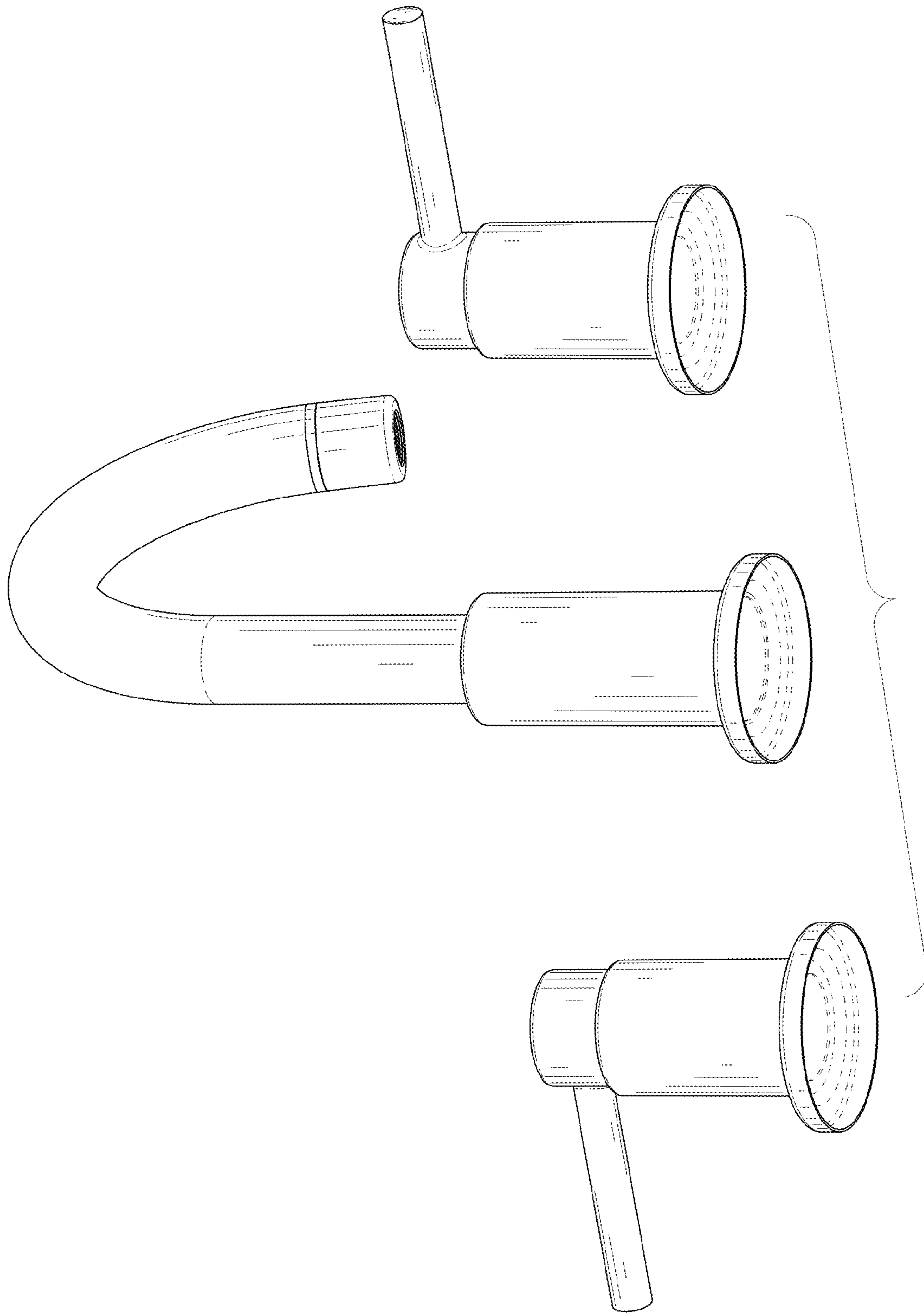
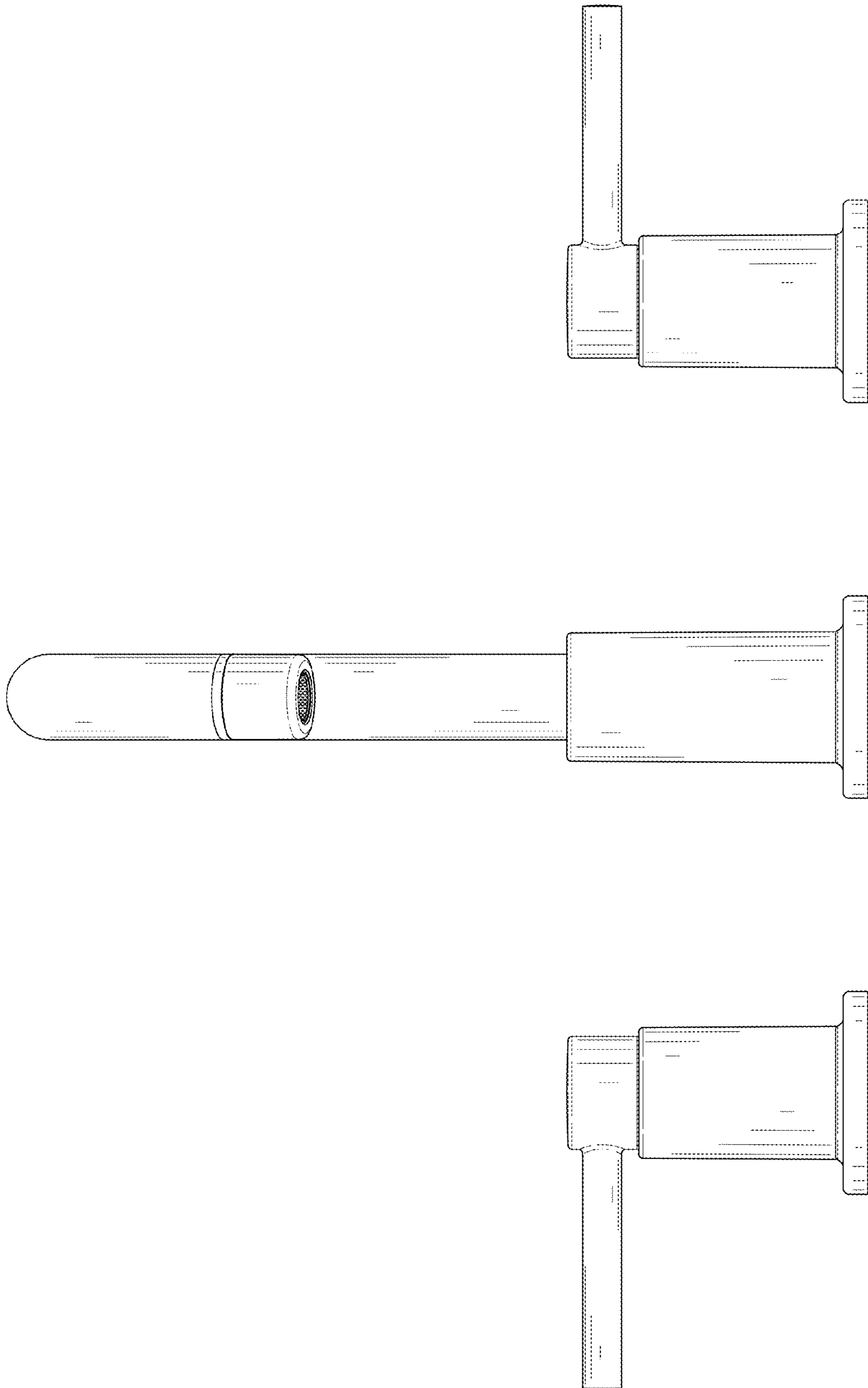


FIG. 2



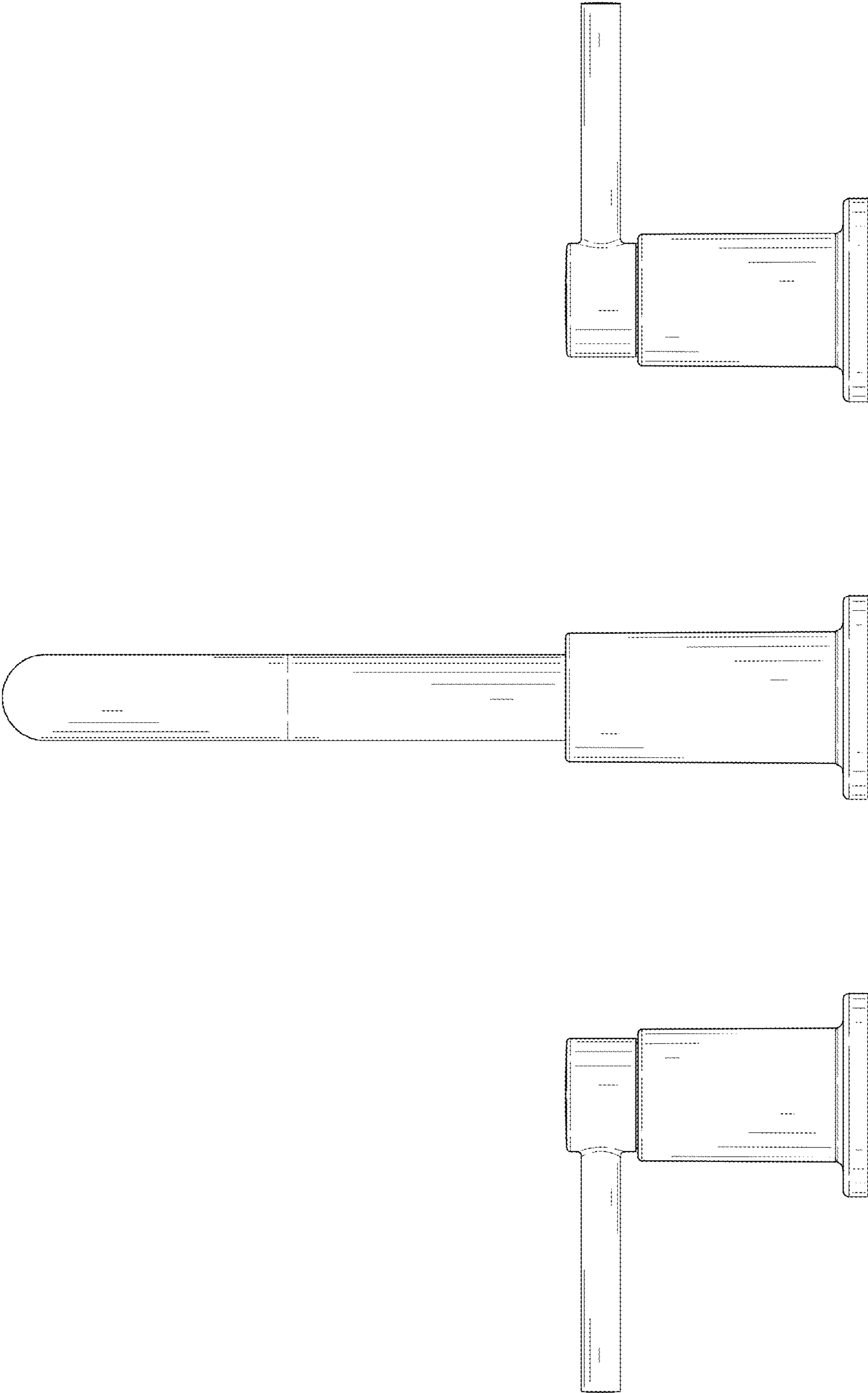


FIG. 4

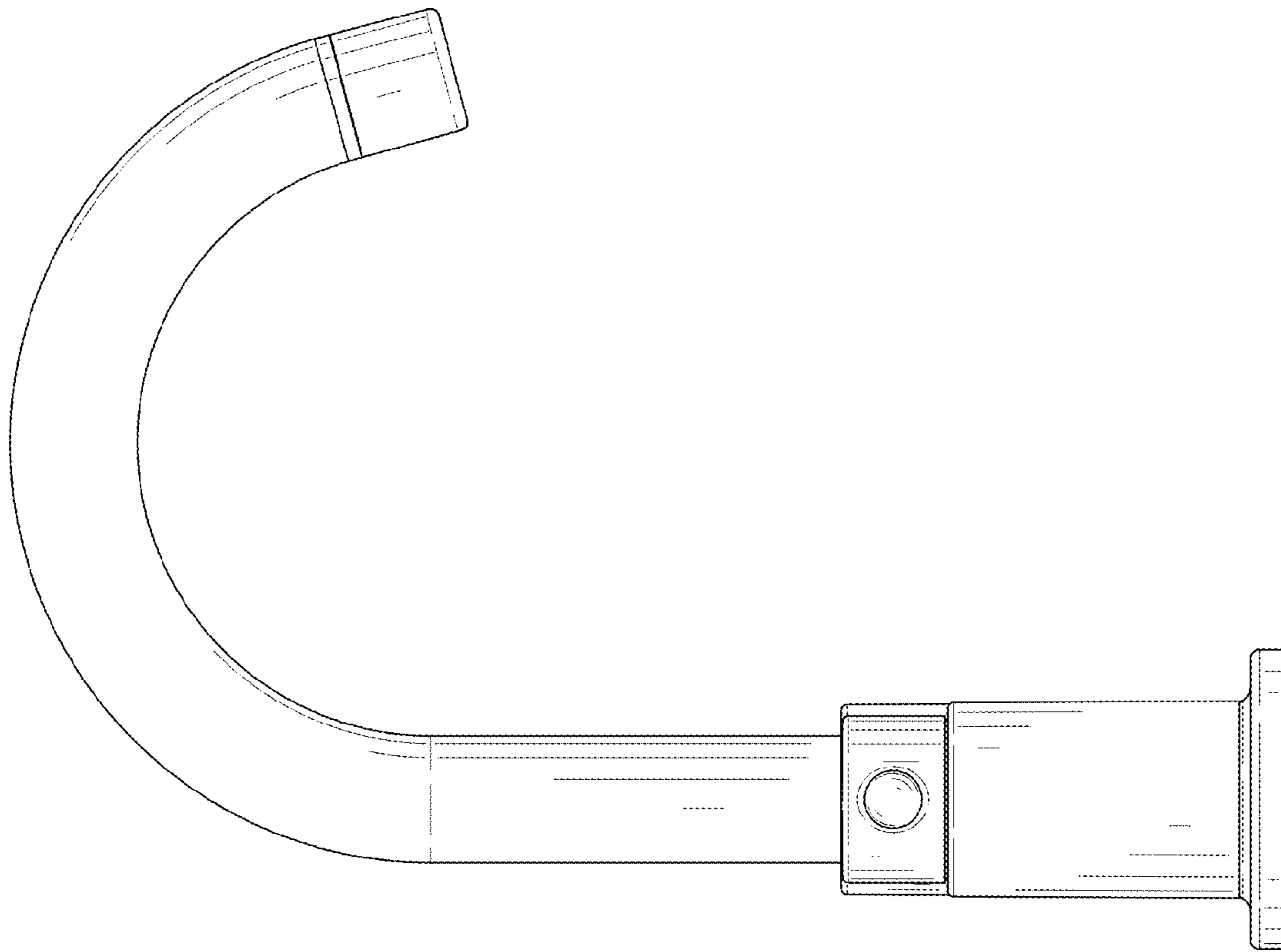


FIG. 5

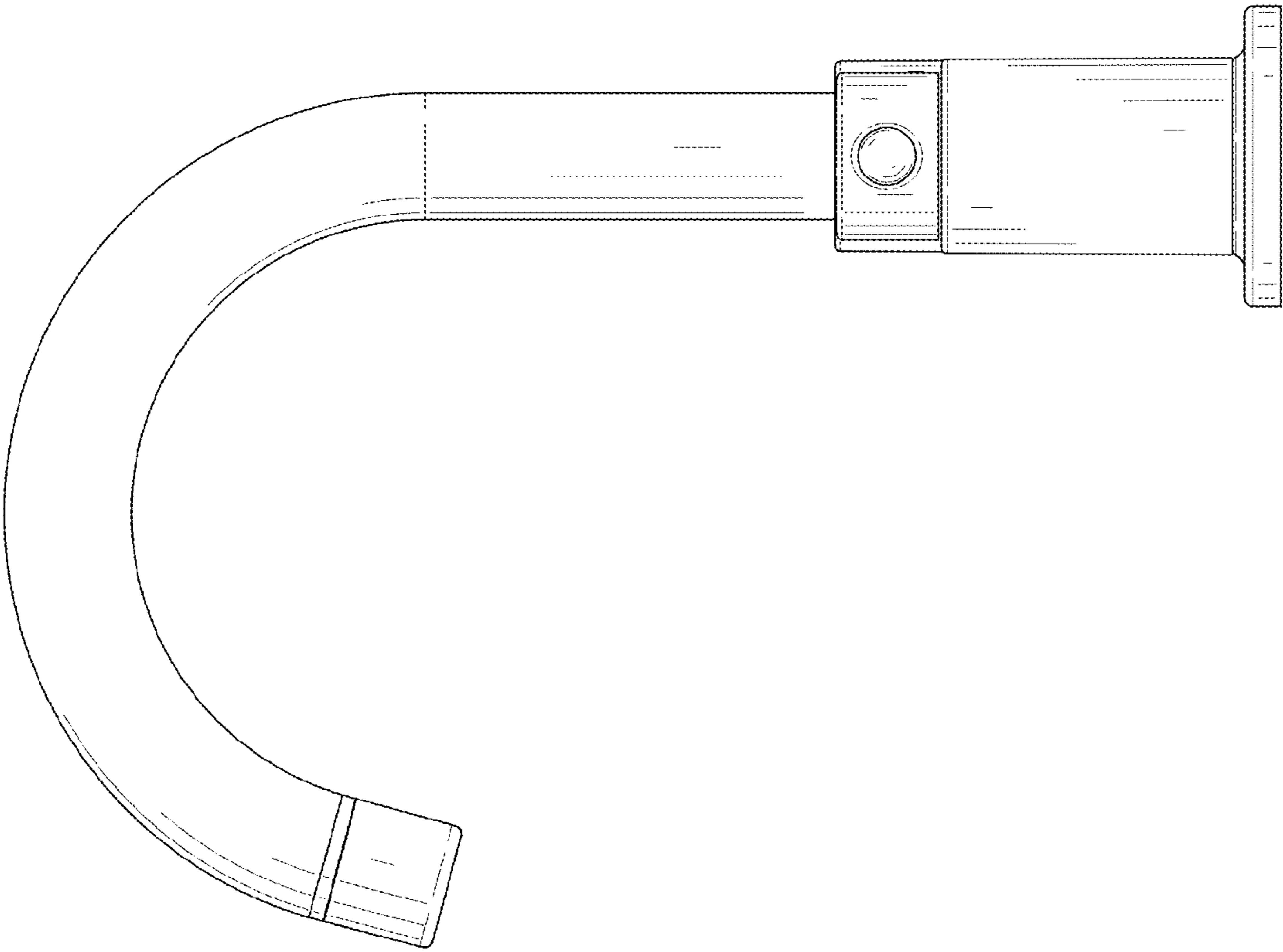


FIG. 6

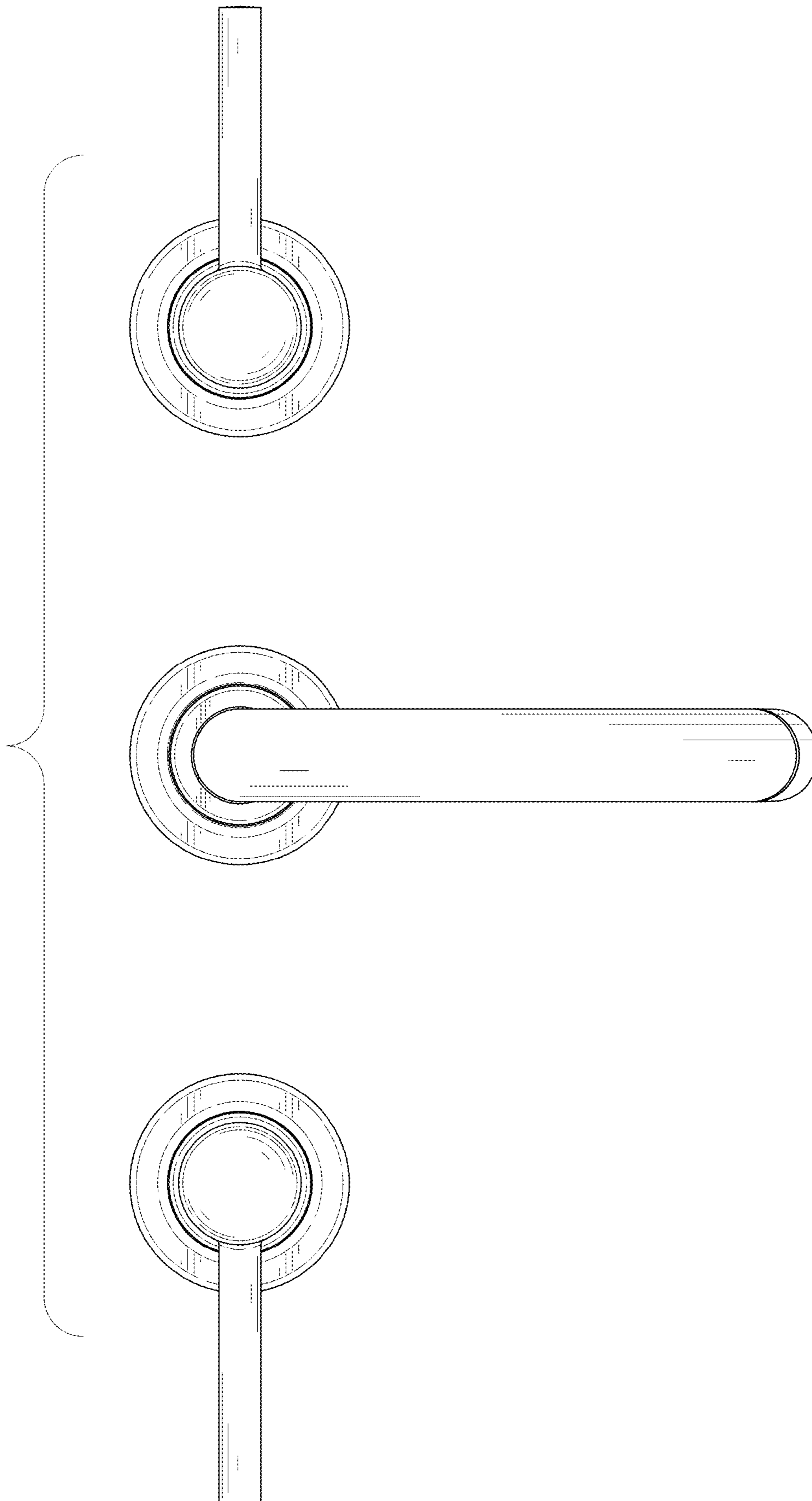


FIG. 7

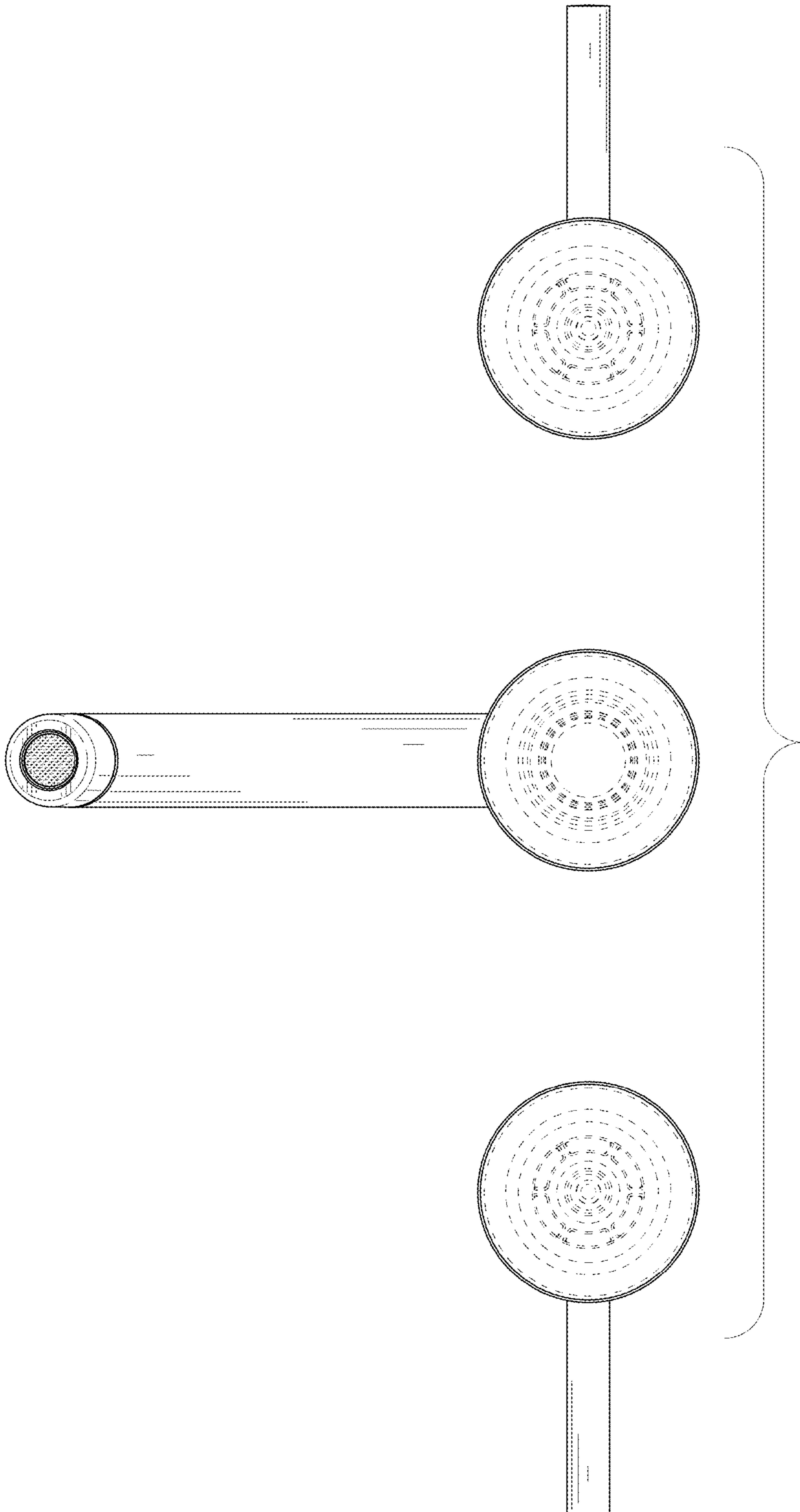


FIG. 8