



US00D984588S

(12) **United States Design Patent**
Nishimura et al.

(10) **Patent No.:** **US D984,588 S**

(45) **Date of Patent:** **** Apr. 25, 2023**

(54) **FLOW CONTROL VALVE**

(71) Applicant: **SMC CORPORATION**, Tokyo (JP)

(72) Inventors: **Akiho Nishimura**, Moriya (JP); **Akira Tadano**, Moriya (JP)

(73) Assignee: **SMC CORPORATION**, Tokyo (JP)

(**) Term: **15 Years**

(21) Appl. No.: **29/761,736**

(22) Filed: **Dec. 11, 2020**

(30) **Foreign Application Priority Data**

Jun. 26, 2020 (JP) 2020-012842 D

(51) **LOC (14) Cl.** **23-01**

(52) **U.S. Cl.**
USPC **D23/235**

(58) **Field of Classification Search**
USPC D23/233, 235, 245, 249, 226, 229, 248,
D23/257, 263, 421
CPC F16K 5/10; F16K 7/07
See application file for complete search history.

(56) **References Cited**

U.S. PATENT DOCUMENTS

D460,148 S 7/2002 Hayashi et al.
D479,308 S 9/2003 Hayashi et al.

D545,944 S 7/2007 Miyazoe
D545,945 S 7/2007 Miyazoe
D584,179 S * 1/2009 Mendelson G05D 7/0635
D10/96
D594,930 S 6/2009 Takakuwa et al.
D633,181 S * 2/2011 Shinohara D23/245
D755,929 S * 5/2016 Kurisaki D23/235
D796,008 S * 8/2017 Ueno D23/233

* cited by examiner

Primary Examiner — Gino Colan

(74) *Attorney, Agent, or Firm* — Birch, Stewart, Kolasch & Birch, LLP

(57) **CLAIM**

The ornamental design for a flow control valve, as shown and described.

DESCRIPTION

FIG. 1 is a front, top and right side perspective view of a flow control valve showing our new design;
FIG. 2 is a rear, top and left side perspective view thereof;
FIG. 3 is a front view thereof;
FIG. 4 is a rear view thereof;
FIG. 5 is a top plan view thereof;
FIG. 6 is a bottom plan view thereof;
FIG. 7 is a left side view thereof; and,
FIG. 8 is a right side view thereof.
The broken lines depict portions of the flow control valve that form no part of the claimed design.

1 Claim, 8 Drawing Sheets

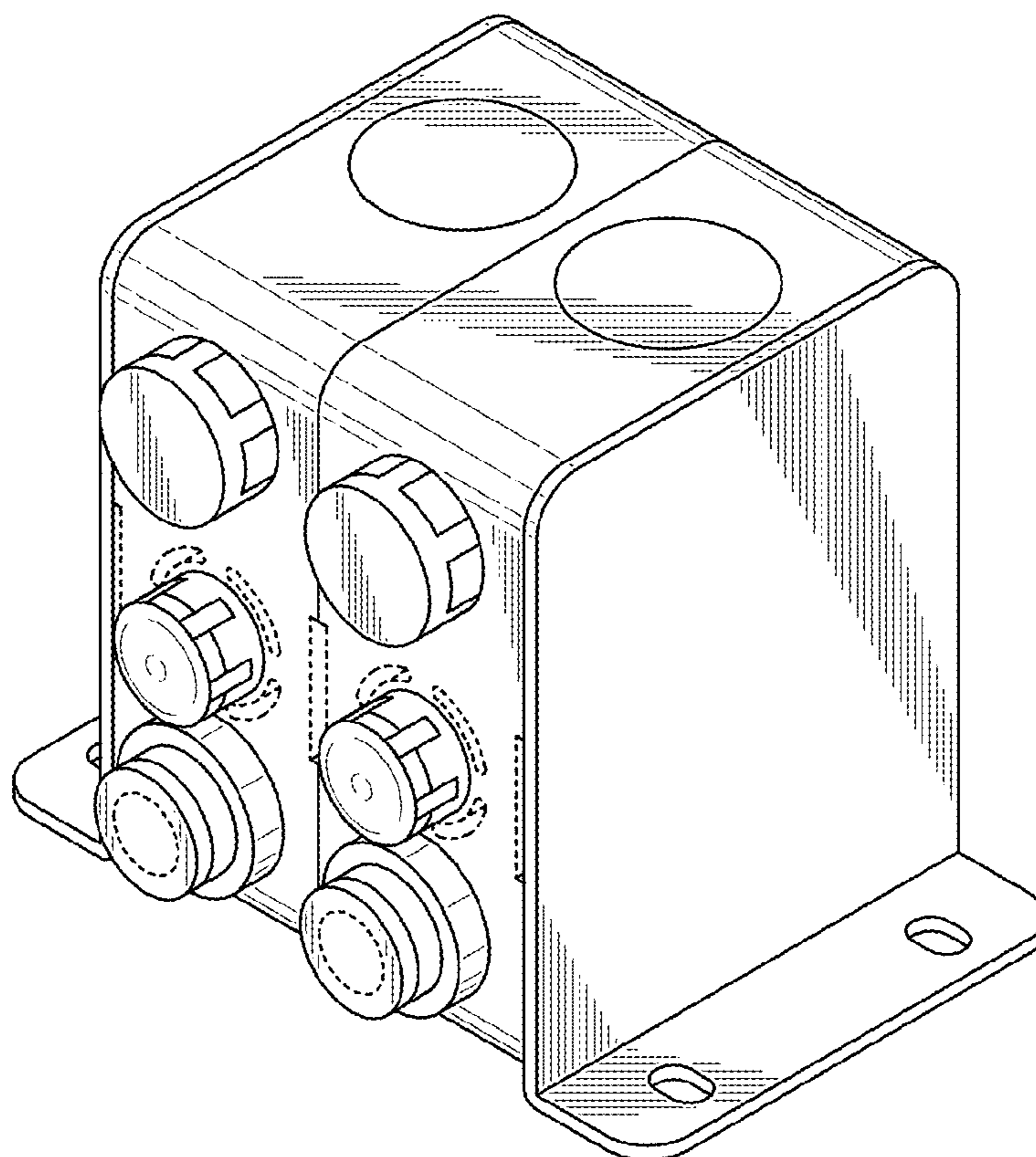


FIG. 1

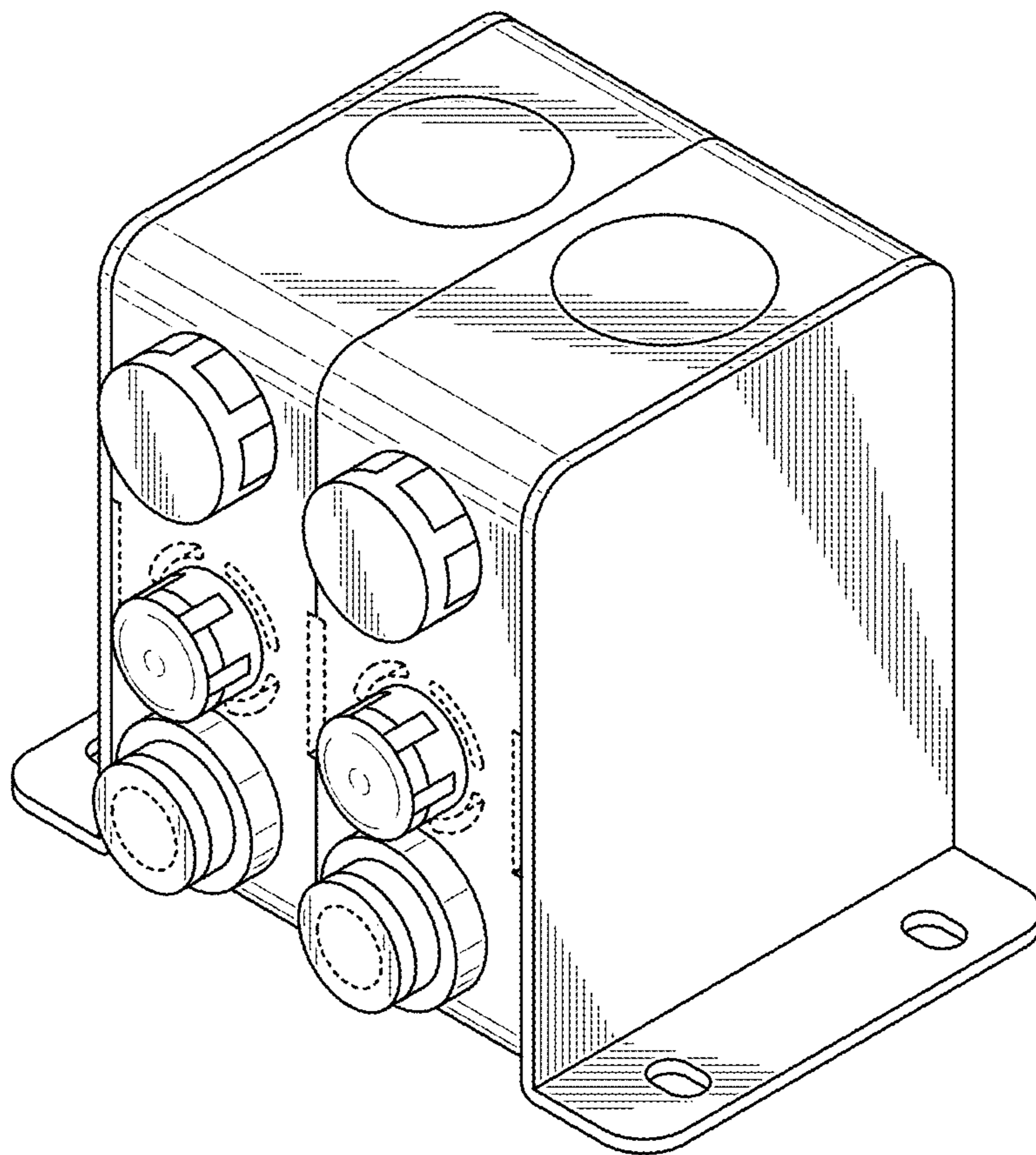


FIG. 2

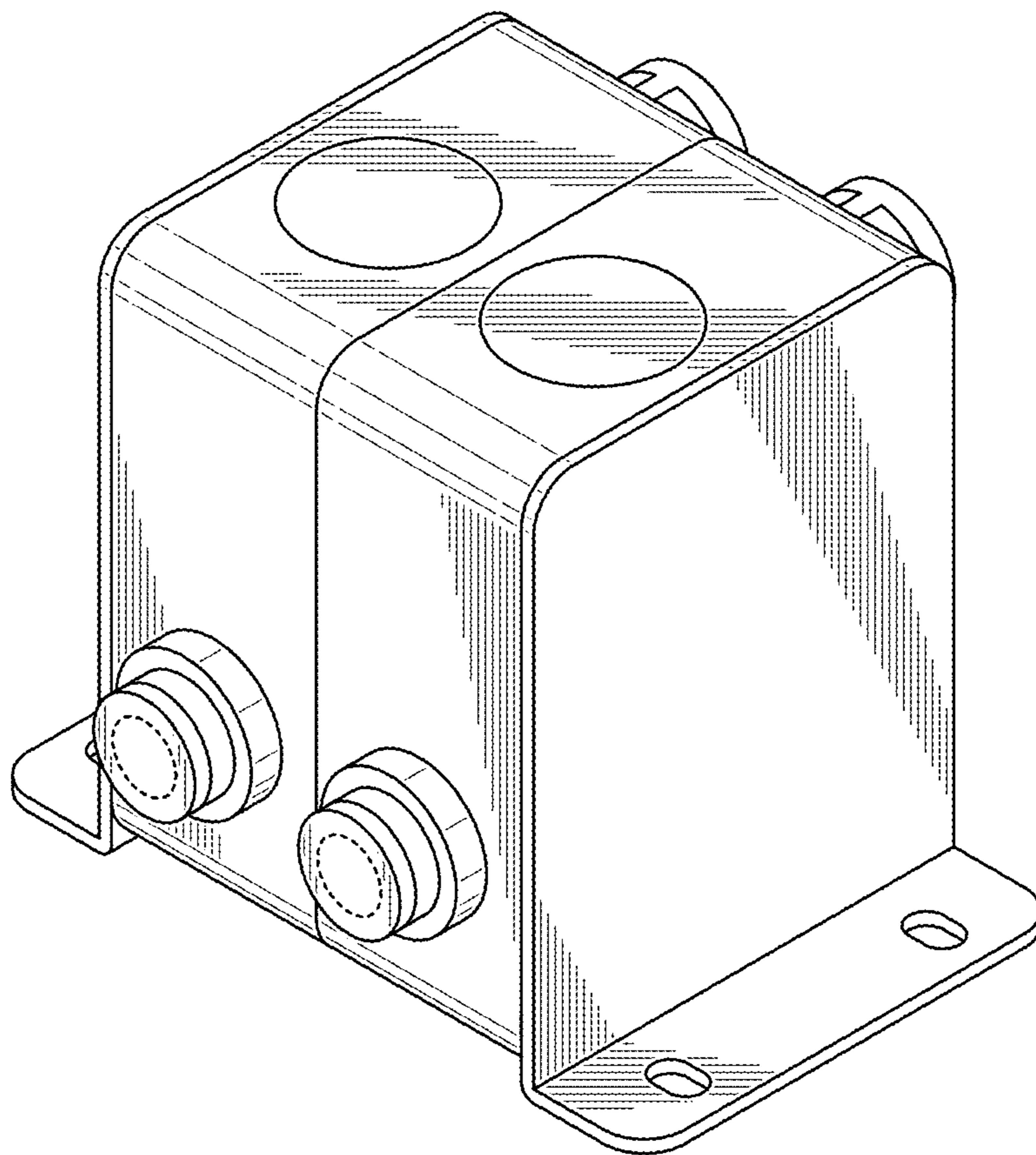


FIG. 3

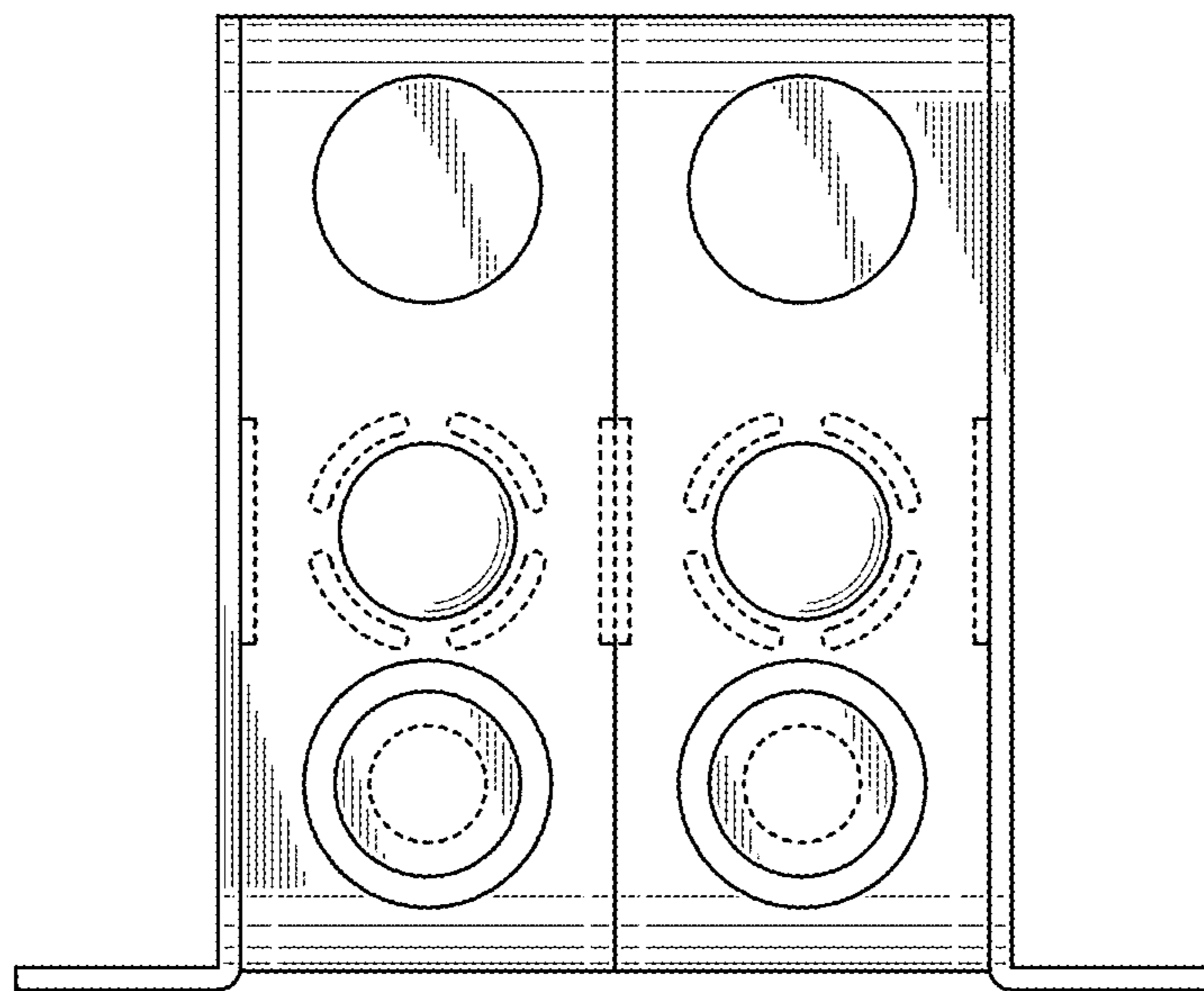


FIG. 4

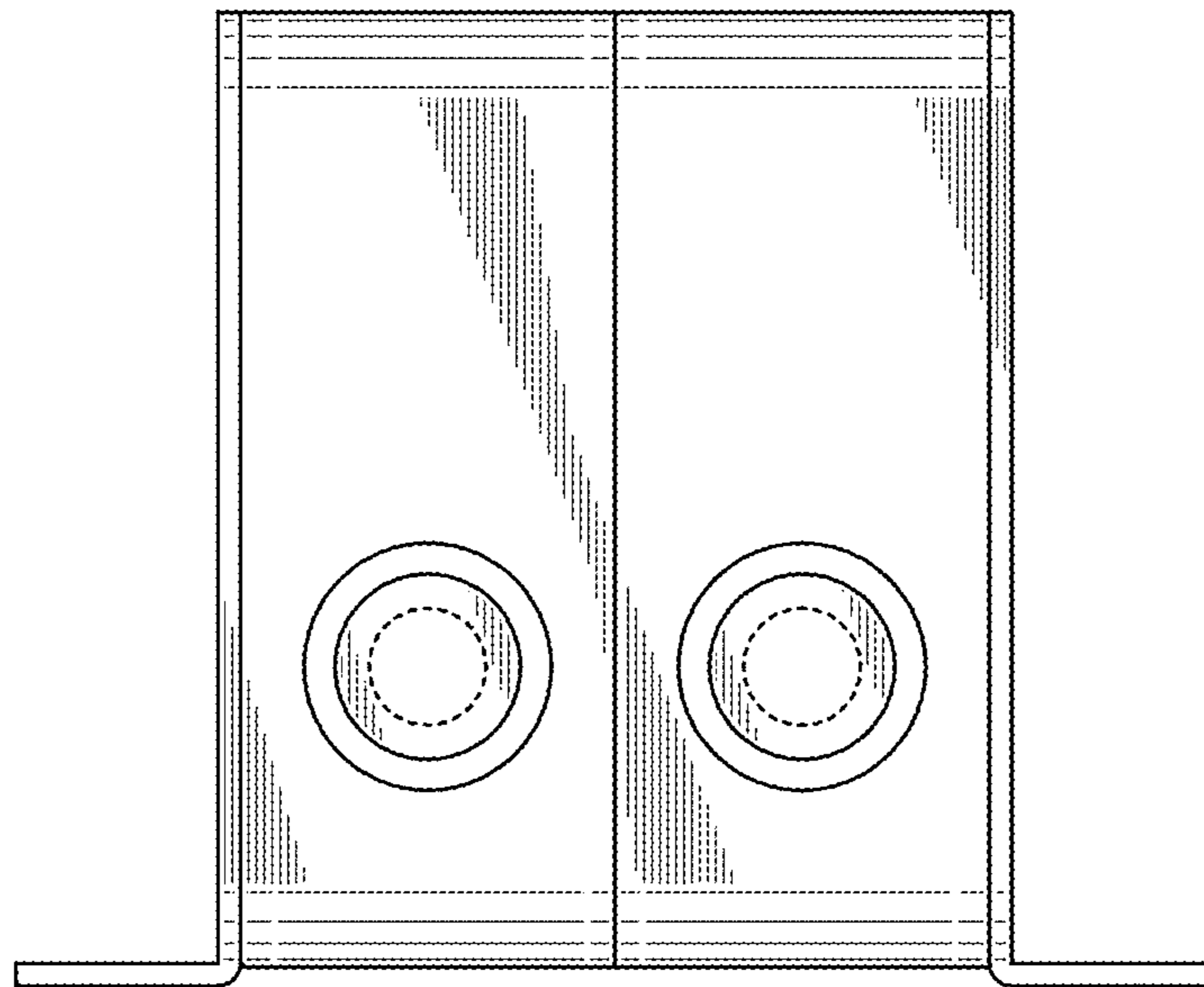


FIG. 5

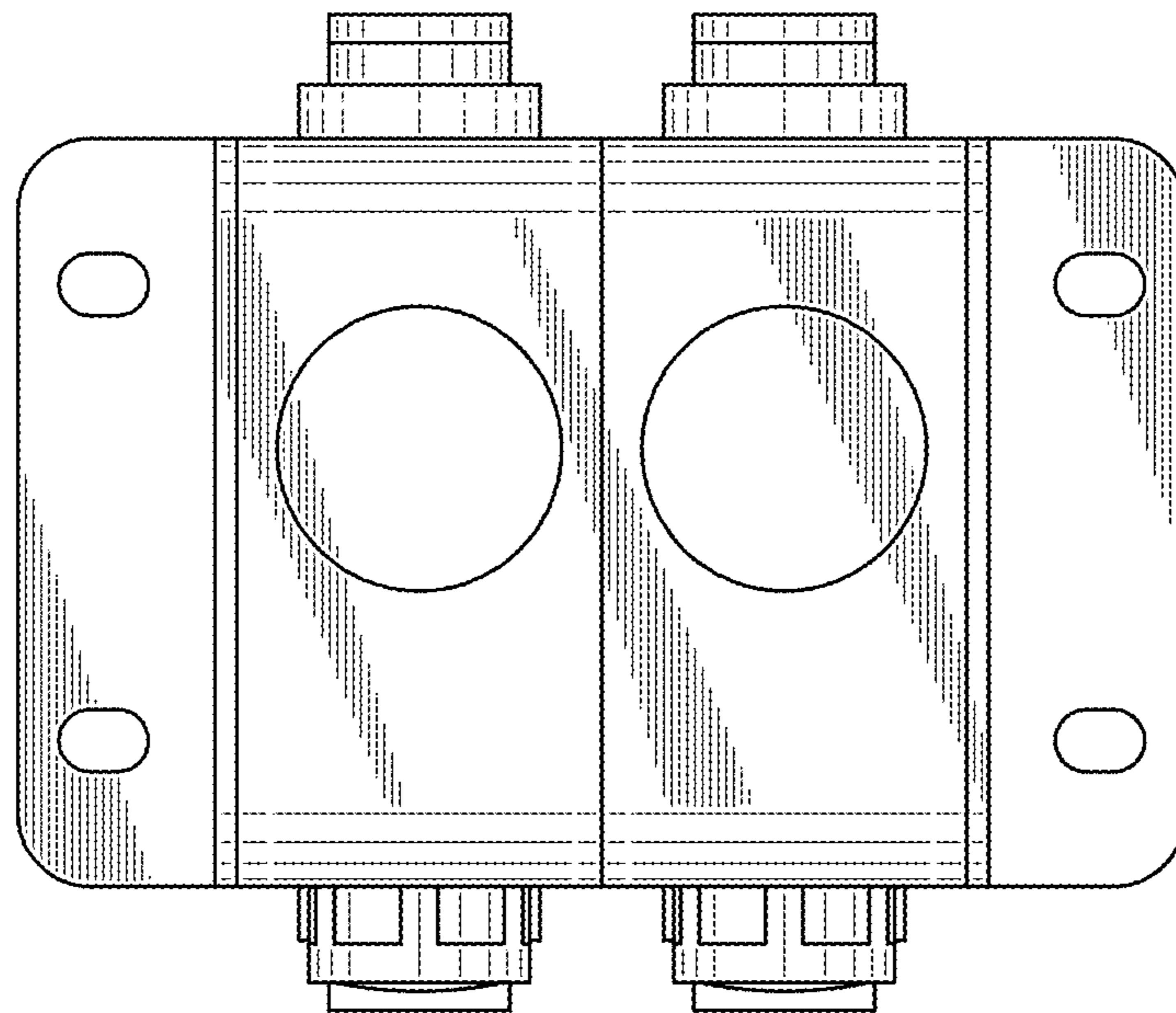


FIG. 6

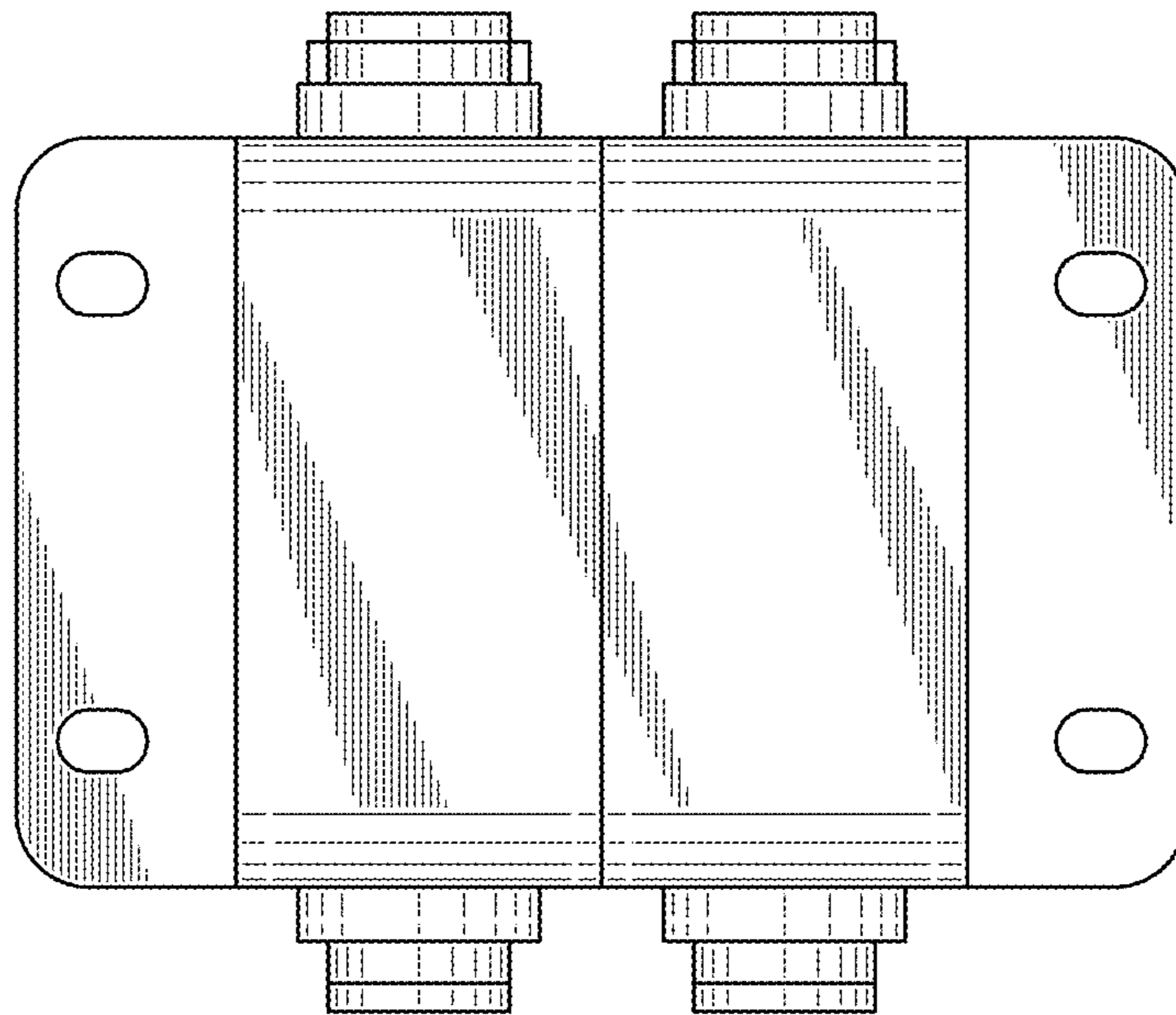


FIG. 7

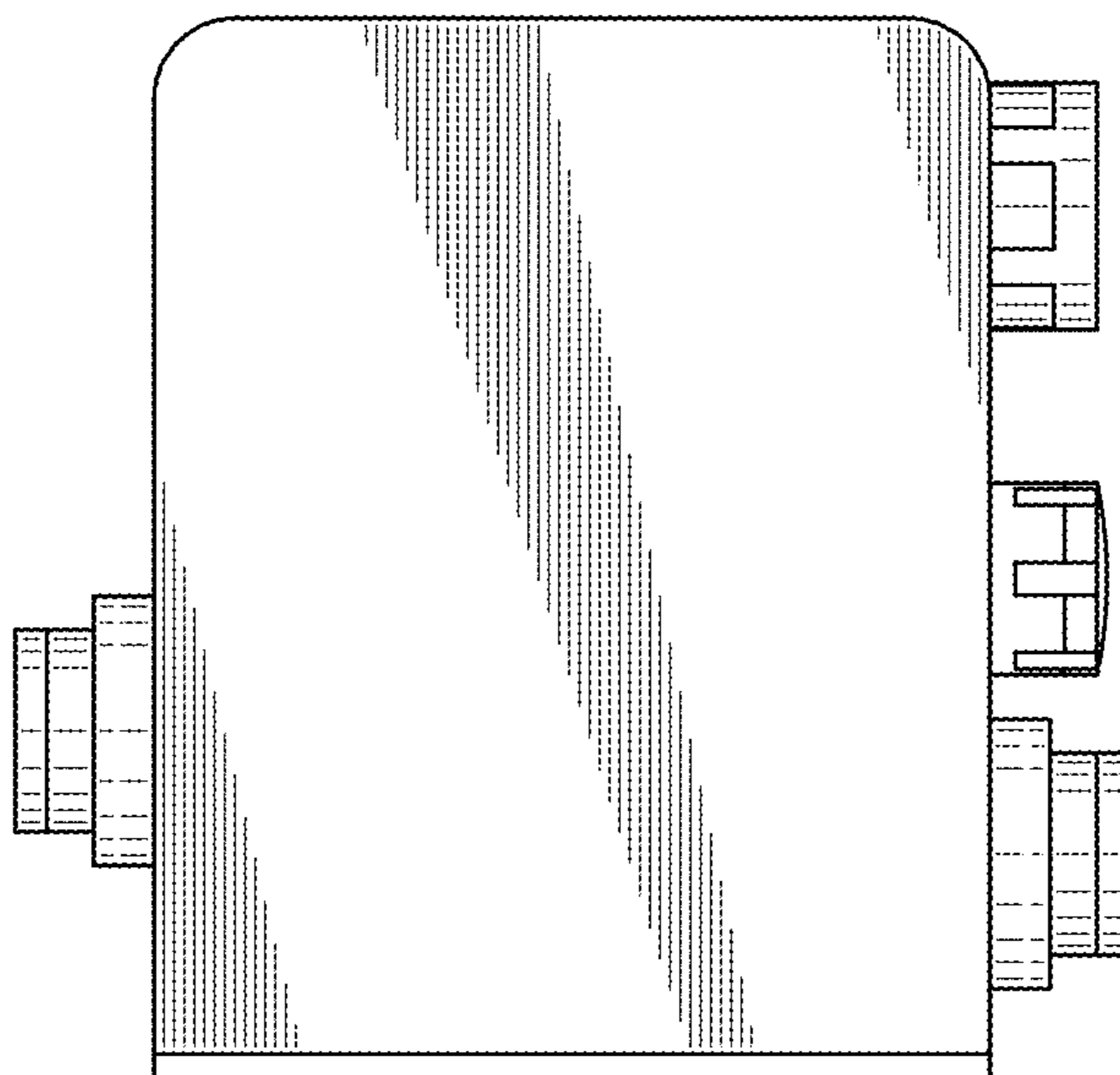


FIG. 8

