



US00D984587S

(12) **United States Design Patent** (10) **Patent No.:** **US D984,587 S**
Ladwig et al. (45) **Date of Patent:** **** Apr. 25, 2023**

(54) **SHOWERHEAD**
(71) Applicant: **WATER PIK, INC.**, Fort Collins, CO (US)
(72) Inventors: **Jeffrey Ladwig**, Seattle, WA (US);
Austin Rand Porter, Seattle, WA (US)
(73) Assignee: **WATER PIK, INC.**, Fort Collins, CO (US)
(**) Term: **15 Years**
(21) Appl. No.: **29/769,860**
(22) Filed: **Feb. 8, 2021**

D528,631 S 9/2006 Gillette et al.
D530,391 S 10/2006 Tse
D535,354 S 1/2007 Wu
D551,737 S 9/2007 Haug et al.
D557,764 S 12/2007 Schonherr et al.
D564,621 S 3/2008 Lammel et al.
D581,014 S 11/2008 Quinn et al.
D609,777 S 2/2010 Wu et al.
D610,231 S 2/2010 Wu et al.
D621,904 S 8/2010 Yoo et al.
D652,106 S 1/2012 Yoo
D654,983 S 2/2012 Schoenherr et al.
D668,743 S 10/2012 Kennedy et al.
D680,619 S 4/2013 Zhadanov
D681,776 S 5/2013 Cutler et al.
D697,177 S 1/2014 Schoenherr et al.
D707,330 S 6/2014 Schoenherr et al.
D713,006 S 9/2014 Schoenherr et al.
D724,180 S 3/2015 Lin
D733,258 S 6/2015 Sandee
D744,064 S 11/2015 Peterson et al.
D744,065 S 11/2015 Peterson et al.

Related U.S. Application Data

(63) Continuation of application No. 29/656,848, filed on Jul. 17, 2018, now Pat. No. Des. 913,419.
(51) **LOC (14) Cl.** **23-01**
(52) **U.S. Cl.**
USPC **D23/223**
(58) **Field of Classification Search**
USPC D23/221, 222, 223, 224, 226, 227, 229,
D23/230, 249, 255
CPC A62C 31/02; A62C 31/03; B05B 1/304;
B05B 1/308; B65D 47/247; B65D 47/24;
B65D 47/32; B65D 47/06
See application file for complete search history.

Primary Examiner — John A Voytek

(57) **CLAIM**

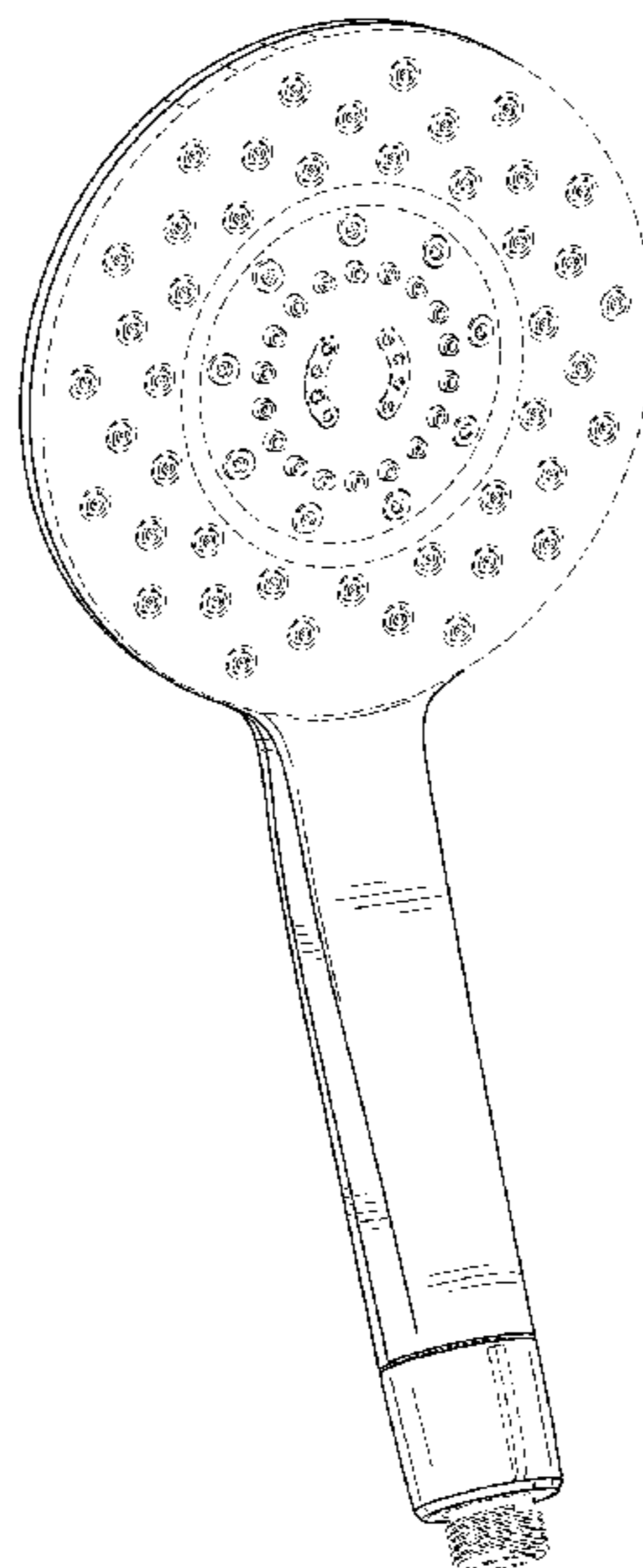
We claim the ornamental design for a showerhead, as shown and described.

DESCRIPTION

FIG. 1 is a front isometric view of a showerhead.
FIG. 2 is a rear isometric view thereof.
FIG. 3 is a front elevation view thereof.
FIG. 4 is a rear elevation view thereof.
FIG. 5 is a left side elevation thereof.
FIG. 6 is a right side elevation thereof.
FIG. 7 is a top plan view thereof; and,
FIG. 8 is a bottom plan thereof.
The broken lines illustrate portions of the showerhead that form no part of the claimed design.

1 Claim, 7 Drawing Sheets

(56) **References Cited**
U.S. PATENT DOCUMENTS
4,190,207 A 2/1980 Fienhold et al.
D268,359 S 3/1983 Klose
5,476,225 A 12/1995 Chan
5,690,282 A 11/1997 Guo
D432,627 S 10/2000 Tse
D433,097 S 10/2000 Tse
D525,341 S 7/2006 Bossini



(56)

References Cited

U.S. PATENT DOCUMENTS

D744,611	S	12/2015	Quinn	
D744,612	S	12/2015	Peterson et al.	
D755,346	S	5/2016	Yan	
9,404,243	B2	8/2016	Cacka et al.	
D779,039	S	2/2017	Hanna et al.	
9,764,339	B2	9/2017	Yu	
D803,351	S	11/2017	Ladwig et al.	
D842,431	S	3/2019	Cacka et al.	
D842,967	S	3/2019	Farley	
D884,832	S *	5/2020	Komatsu	D23/223
D886,946	S *	6/2020	Ladwig	D23/223
D901,633	S *	11/2020	Wang	D23/223
D913,419	S *	3/2021	Ladwig	D23/223
D924,360	S *	7/2021	Schoenherr	D23/223
D925,699	S *	7/2021	Komatsu	D23/223
D930,790	S *	9/2021	Yan	D23/223
D935,559	S *	11/2021	He	D23/226
D956,176	S *	6/2022	Yan	D23/213
D963,111	S *	9/2022	He	D23/223
D963,794	S *	9/2022	Hong	D23/223
D965,104	S *	9/2022	Yan	D23/223
D970,687	S *	11/2022	Yan	D23/223
D970,688	S *	11/2022	Yan	D23/223
D975,241	S *	1/2023	Guo	D23/223
2014/0367482	A1	12/2014	Cacka et al.	
2015/0211728	A1	7/2015	Zhadanov et al.	
2017/0297039	A1	10/2017	Cacka et al.	

* cited by examiner

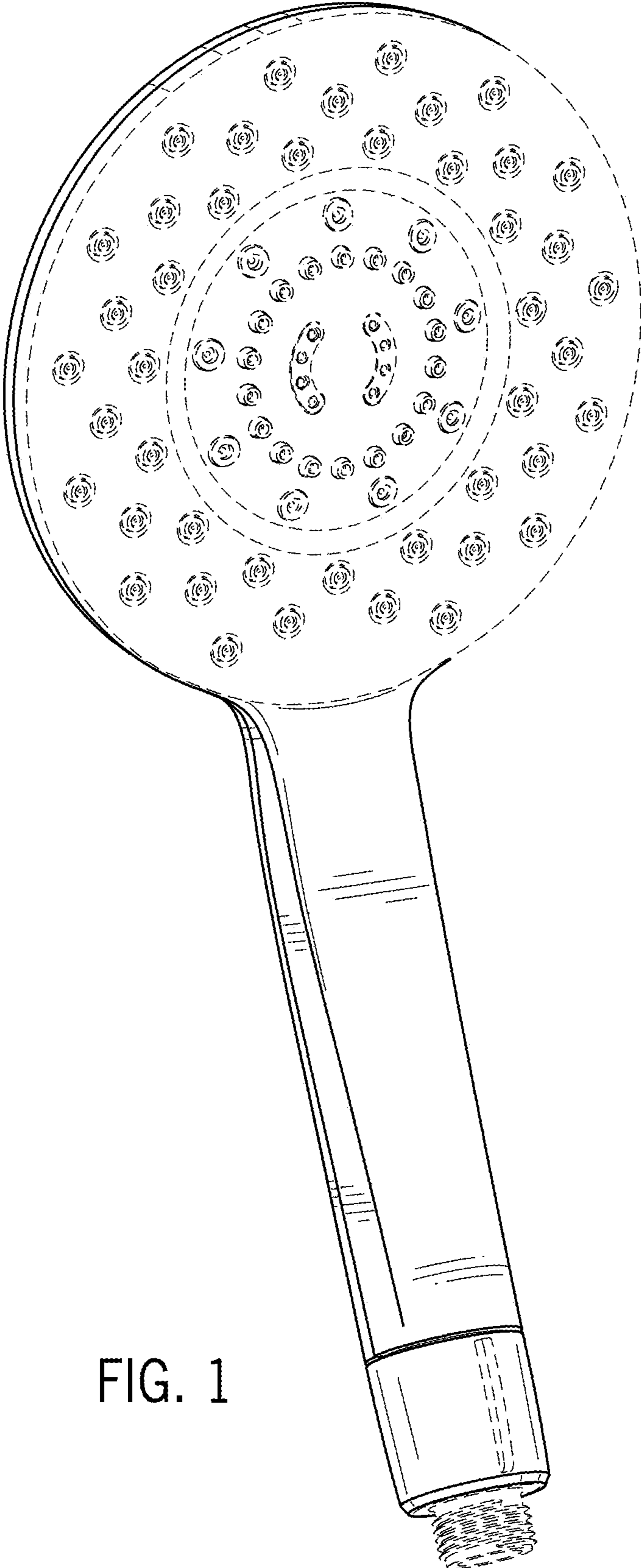


FIG. 1

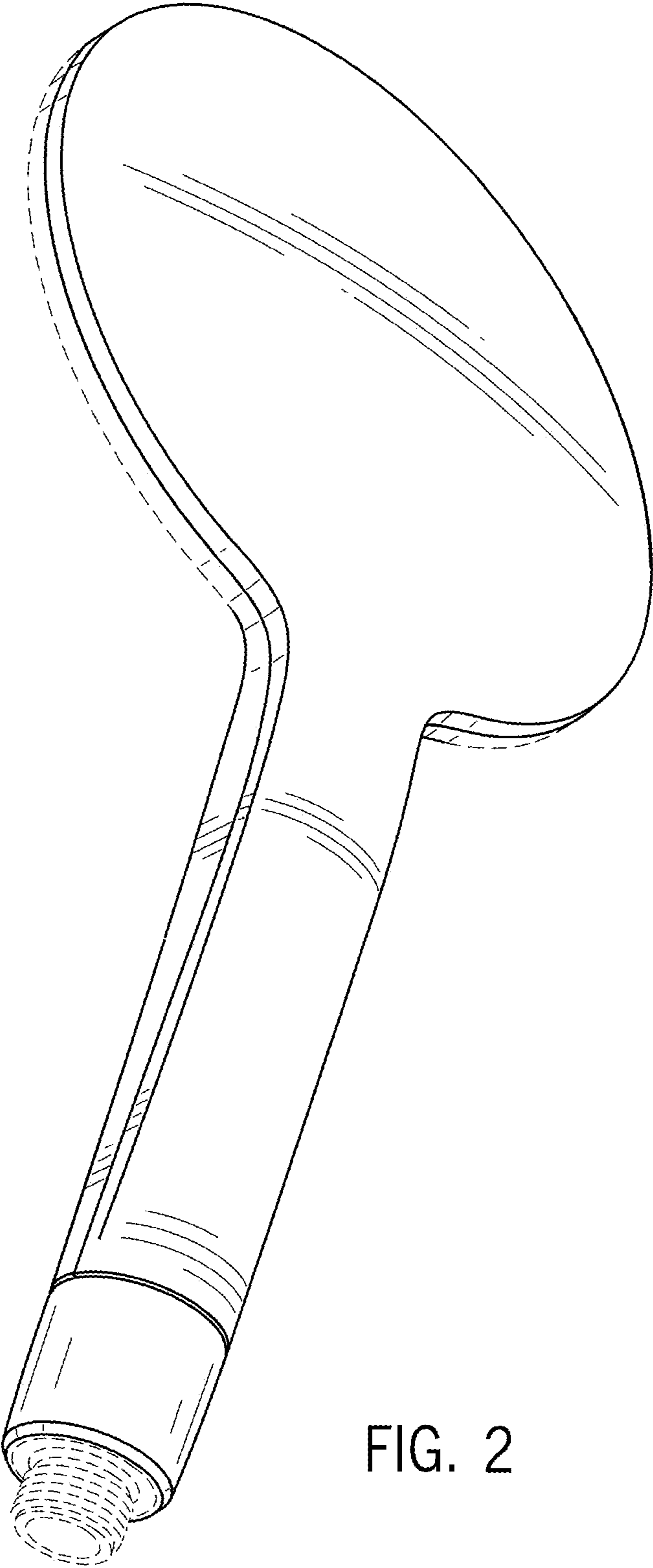


FIG. 2

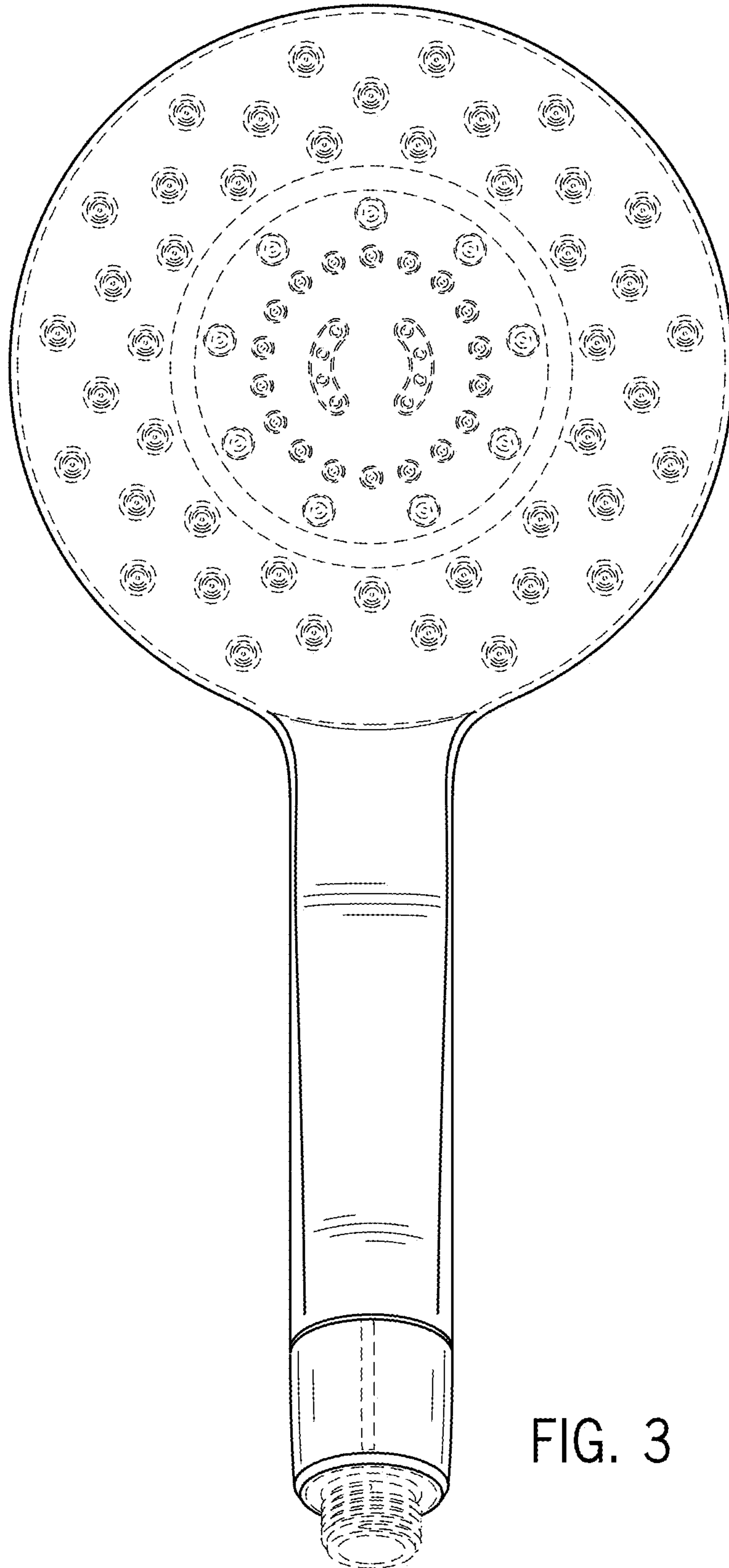


FIG. 3

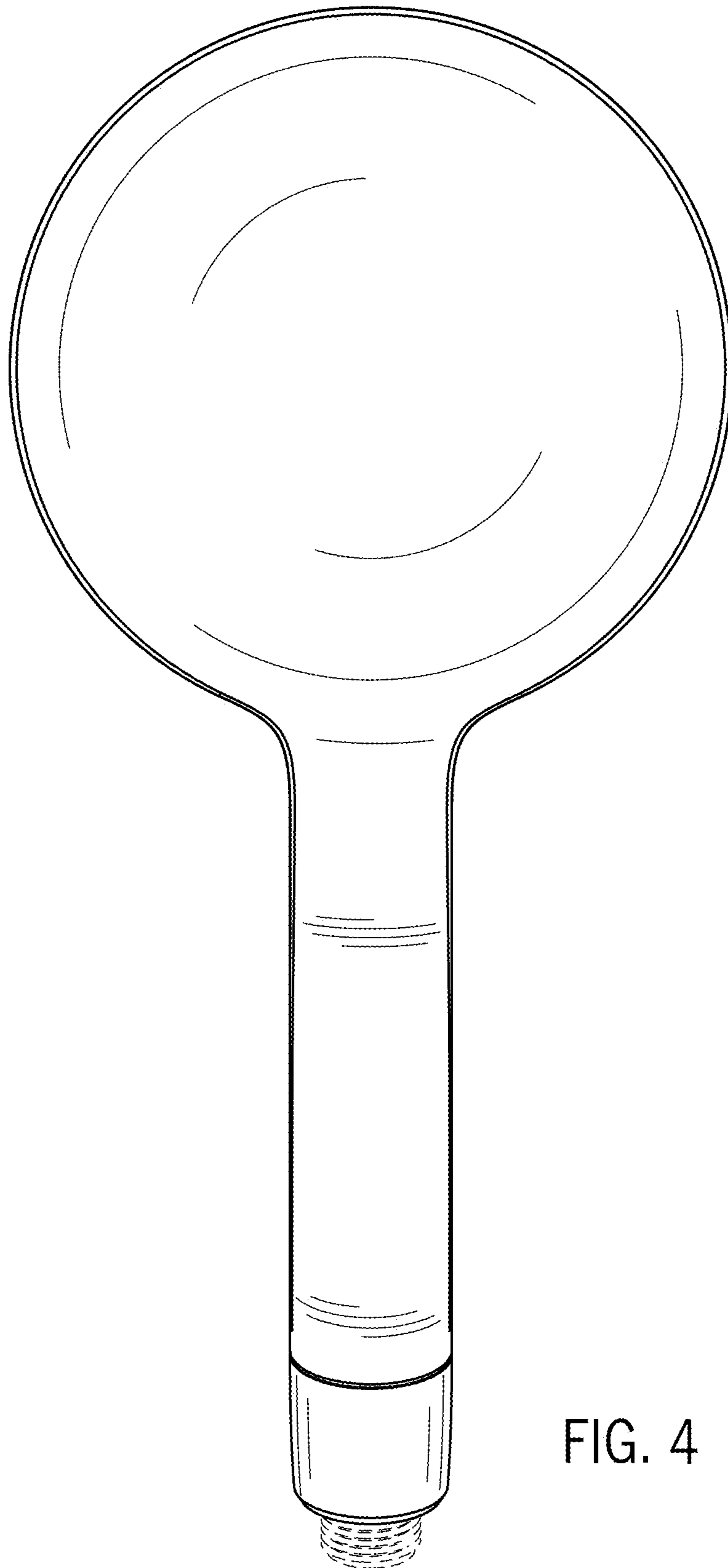


FIG. 4

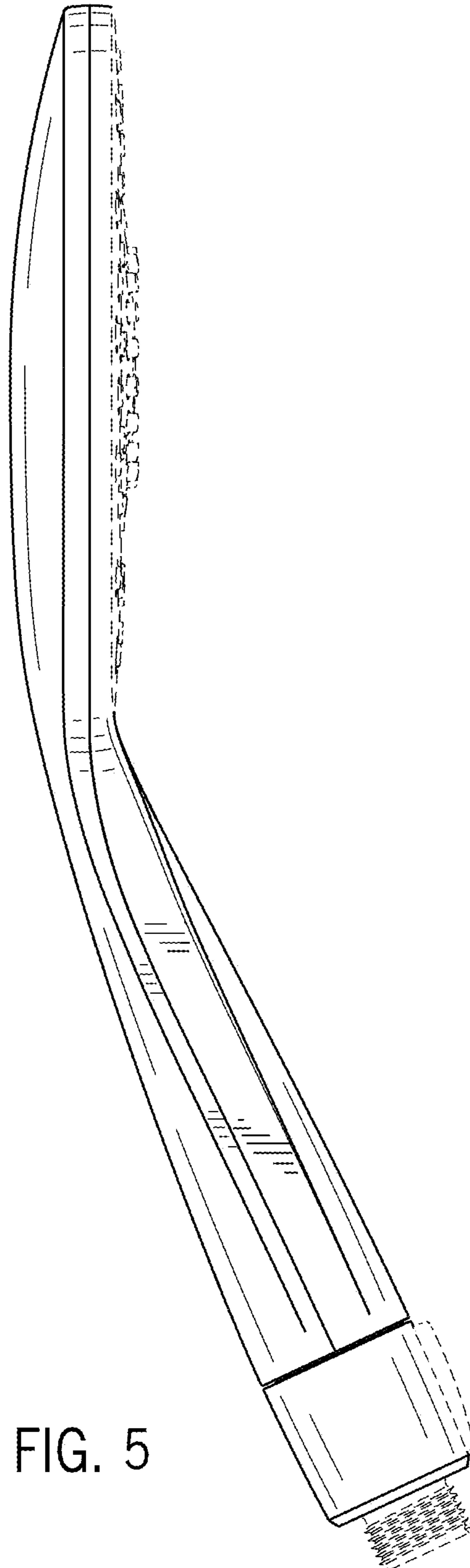


FIG. 5

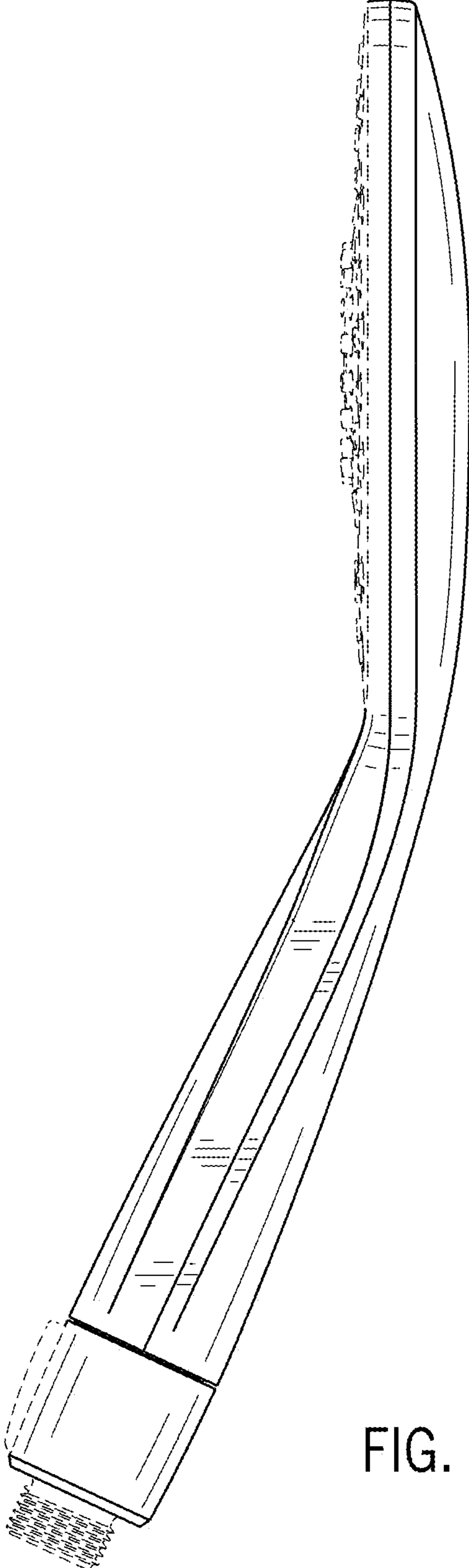


FIG. 6

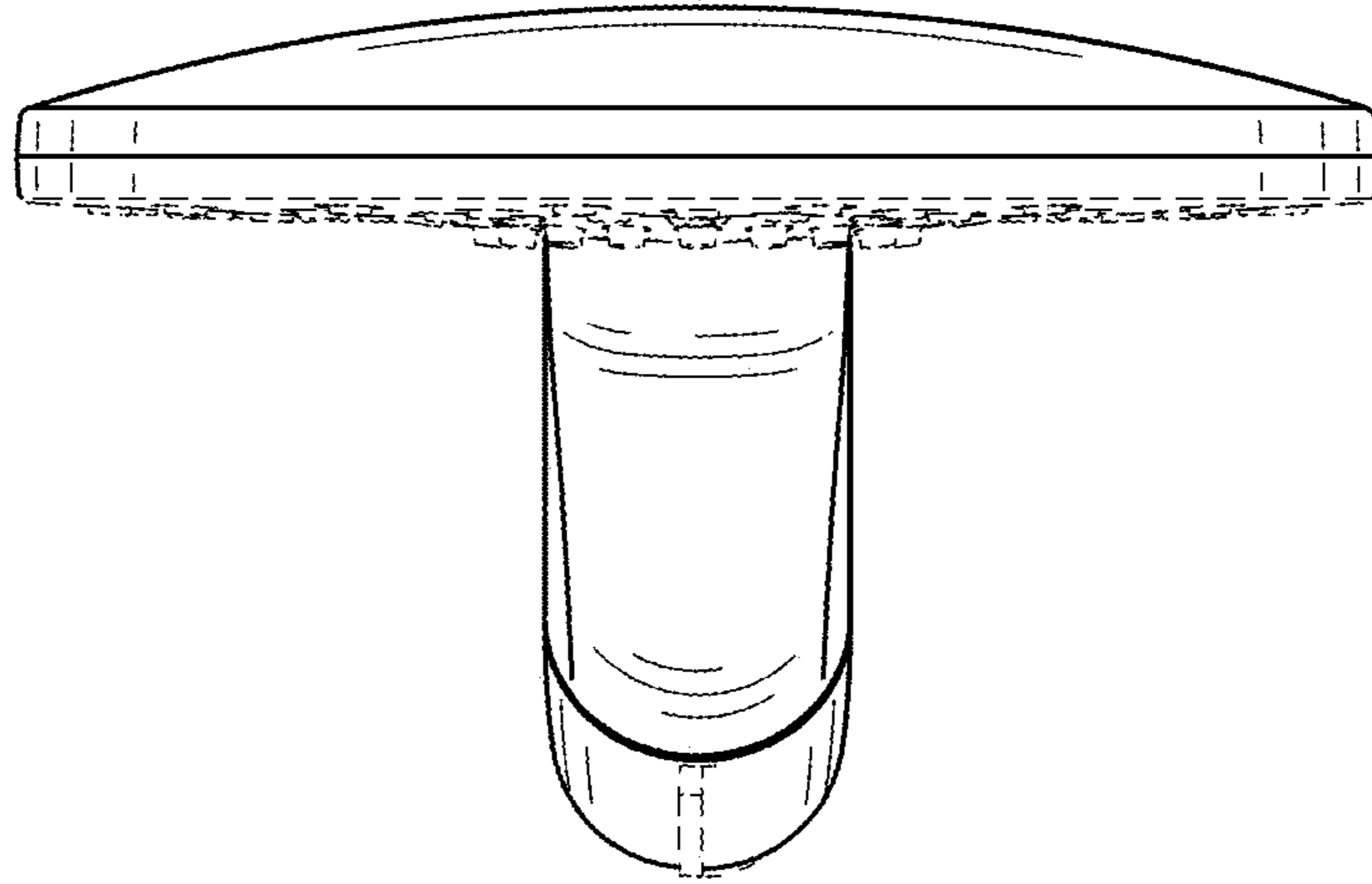


FIG. 7

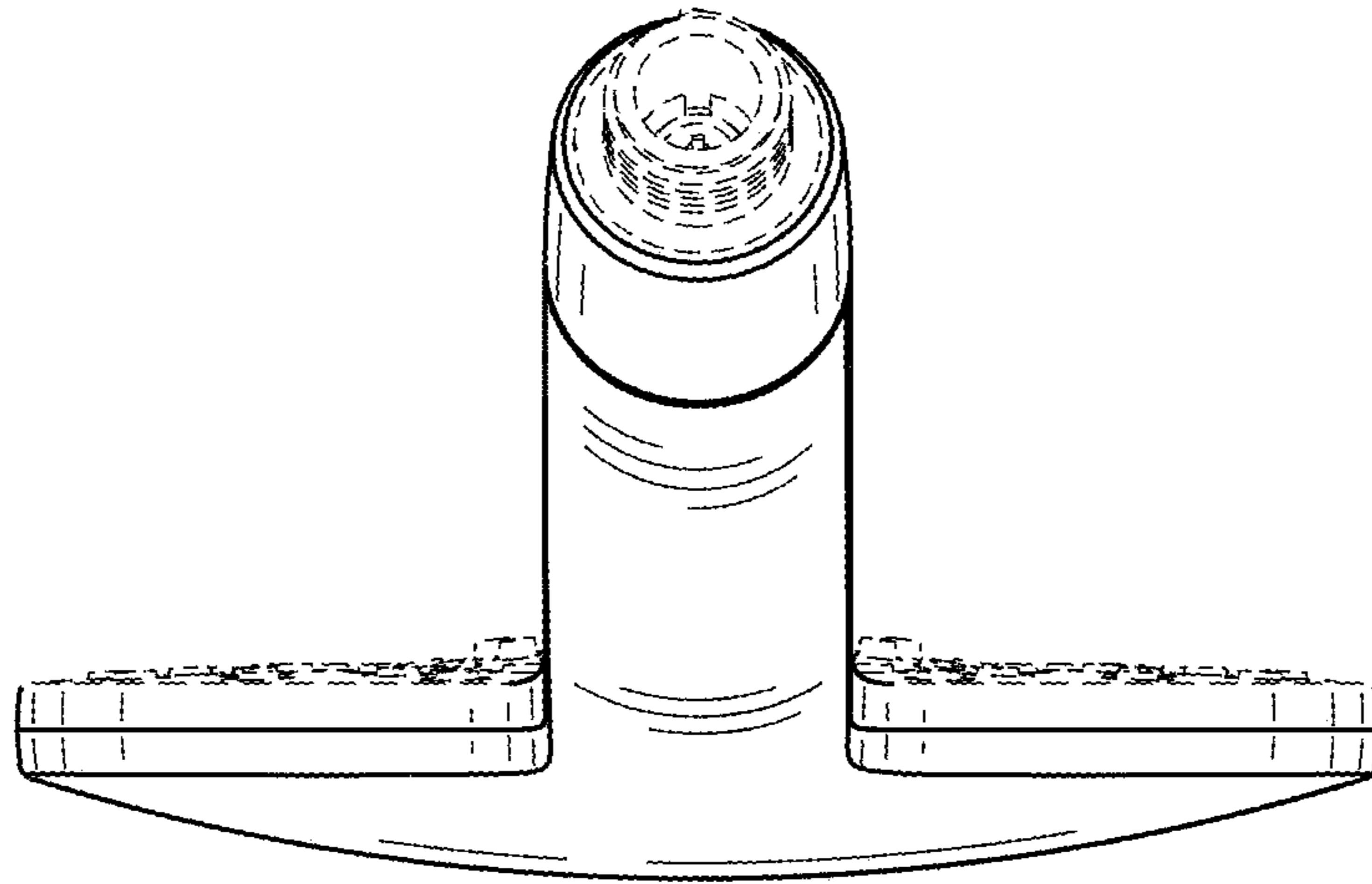


FIG. 8