



US00D984586S

(12) **United States Design Patent** (10) **Patent No.:** **US D984,586 S**
Ladwig et al. (45) **Date of Patent:** **** Apr. 25, 2023**

(54) **SHOWERHEAD**
(71) Applicant: **WATER PIK, INC.**, Fort Collins, CO (US)
(72) Inventors: **Jeffrey Ladwig**, Seattle, WA (US);
Austin Rand Porter, Seattle, WA (US)

D511,809 S 11/2005 Haug et al.
D525,341 S 7/2006 Bossini
D530,391 S 10/2006 Tse
D531,262 S 10/2006 Tse
D551,737 S 9/2007 Haug et al.
D557,764 S 12/2007 Schonherr et al.
D564,621 S 3/2008 Lammel et al.

(Continued)

(73) Assignee: **WATER PIK, INC.**, Fort Collins, CO (US)

FOREIGN PATENT DOCUMENTS

(**) Term: **15 Years**

CN 3444796 5/2005
CN 3444798 5/2005

(Continued)

(21) Appl. No.: **29/767,482**

(22) Filed: **Jan. 22, 2021**

OTHER PUBLICATIONS

Related U.S. Application Data

Office Action and Search Report dated Oct. 15, 2020, Taiwanese Application No. 2101930024833.5, 9 pages. TW.

(63) Continuation of application No. 29/727,932, filed on Mar. 13, 2020, now Pat. No. Des. 913,422, which is a continuation of application No. 29/656,864, filed on Jul. 17, 2018, now Pat. No. Des. 886,946.

(Continued)

Primary Examiner — John A Voytek

(51) **LOC (14) Cl.** **23-01**
(52) **U.S. Cl.**
USPC **D23/223**

(57) **CLAIM**

We claim the ornamental design for a showerhead, as shown and described.

(58) **Field of Classification Search**
USPC D23/221, 222, 223, 224, 226, 227, 229, D23/230, 249, 255
CPC A62C 31/02; A62C 31/03; B05B 1/304; B05B 1/308; B65D 47/247; B65D 47/24; B65D 47/32; B65D 47/06
See application file for complete search history.

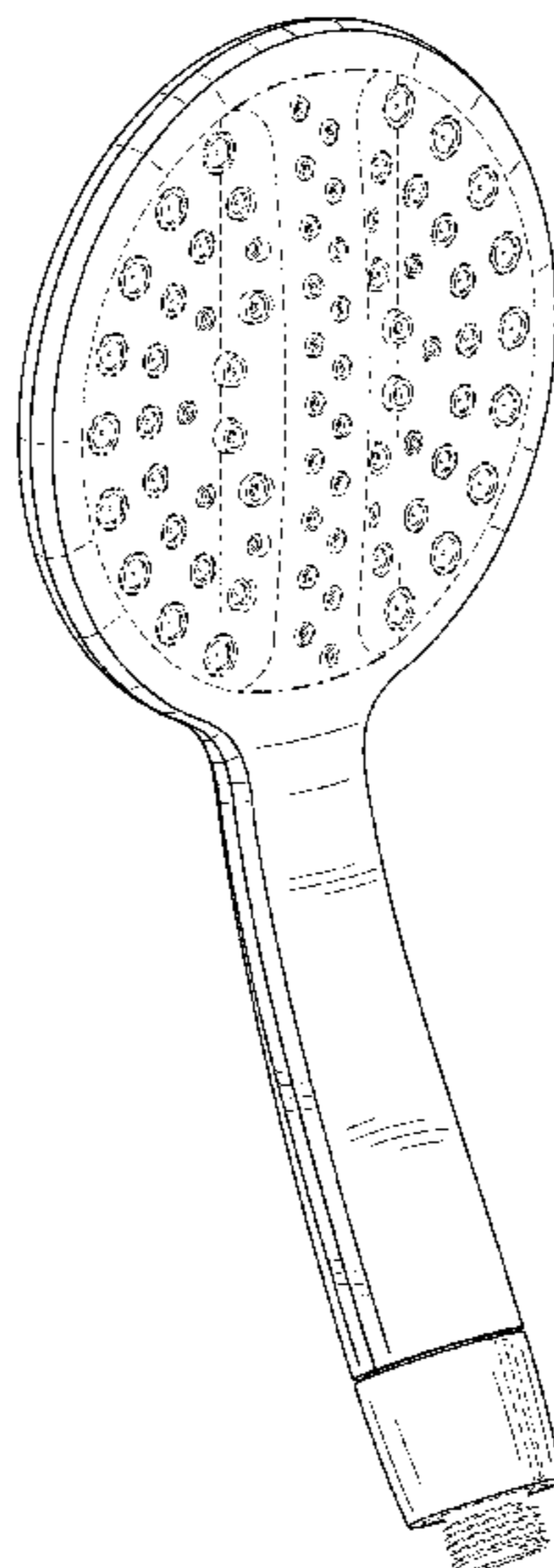
DESCRIPTION

FIG. 1 is a front isometric view of a showerhead.
FIG. 2 is a rear isometric view thereof.
FIG. 3 is a front elevation view thereof.
FIG. 4 is a rear elevation view thereof.
FIG. 5 is a left side elevation thereof.
FIG. 6 is a right side elevation thereof.
FIG. 7 is a top plan view thereof; and,
FIG. 8 is a bottom plan thereof.
The dash-dash broken lines illustrate portions of the showerhead that form no part of the claimed design. The dash-dot-dash broken lines illustrate a boundary of the claimed design.

(56) **References Cited**
U.S. PATENT DOCUMENTS

4,190,207 A 2/1980 Fienhold et al.
D268,359 S 3/1983 Klose
5,476,225 A 12/1995 Chan
5,690,282 A 11/1997 Guo
D432,627 S 10/2000 Tse
D510,123 S 9/2005 Tsai

1 Claim, 7 Drawing Sheets



(56)

References Cited

U.S. PATENT DOCUMENTS

D581,014 S 11/2008 Quinn et al.
 D610,231 S 2/2010 Wu et al.
 D617,419 S 6/2010 Lee
 D621,905 S 8/2010 Yoo et al.
 D652,106 S 1/2012 Yoo
 D654,983 S 2/2012 Schoenherr et al.
 D659,794 S 5/2012 Flowers et al.
 D668,743 S 10/2012 Kennedy et al.
 D669,156 S 10/2012 Schoenherr et al.
 D672,011 S 12/2012 Andrew et al.
 D680,619 S 4/2013 Zhadanov
 D681,776 S 5/2013 Cutler et al.
 D682,393 S 5/2013 Bossini et al.
 D694,361 S 11/2013 Schoenherr et al.
 D697,177 S 1/2014 Schoenherr et al.
 D707,330 S 6/2014 Schoenherr et al.
 D733,258 S 6/2015 Sandee
 D737,931 S 9/2015 Schoenherr et al.
 D737,932 S 9/2015 Nikles
 D744,065 S 11/2015 Peterson et al.
 D744,611 S 12/2015 Quinn
 D744,612 S 12/2015 Peterson et al.
 D755,346 S 5/2016 Yan
 9,404,243 B2 8/2016 Cacka et al.
 D778,402 S 2/2017 Schoenherr et al.
 D779,039 S 2/2017 Hanna et al.
 9,764,339 B2 9/2017 Yu
 D803,351 S 11/2017 Ladwig et al.
 D811,524 S 2/2018 Bossini
 D841,125 S 2/2019 Lai et al.
 D844,749 S 4/2019 Cocks et al.
 D847,302 S 4/2019 Cocks et al.
 D869,607 S 12/2019 Seum et al.

D884,832 S * 5/2020 Komatsu D23/223
 D886,946 S * 6/2020 Ladwig D23/223
 D901,633 S * 11/2020 Wang D23/223
 D913,419 S * 3/2021 Ladwig D23/223
 D924,360 S * 7/2021 Schoenherr D23/223
 D925,699 S * 7/2021 Komatsu D23/223
 D930,790 S * 9/2021 Yan D23/223
 D935,559 S * 11/2021 He D23/226
 D956,176 S * 6/2022 Yan D23/213
 D963,111 S * 9/2022 He D23/223
 D963,794 S * 9/2022 Hong D23/223
 D965,104 S * 9/2022 Yan D23/223
 D970,687 S * 11/2022 Yan D23/223
 D970,688 S * 11/2022 Yan D23/223
 D975,241 S * 1/2023 Guo D23/223
 2014/0367482 A1 12/2014 Cacka et al.
 2015/0211728 A1 7/2015 Zhadanov et al.
 2017/0297039 A1 10/2017 Cacka et al.

FOREIGN PATENT DOCUMENTS

CN 300992738 8/2009
 CN 301500224 3/2011
 TW D144394 12/2011
 TW D161516 7/2014
 TW D188532 2/2018

OTHER PUBLICATIONS

Search Report issued by Taiwan Patent Office dated Dec. 21, 2020, for Taiwan Application No. 108300315,2 pages. TW.
 UltraThin+ PowerCombo(R) with PowerPulse Massage Hand Held Shower Head, Advertisement, Water Pik Showerheads, 1 page. Undated. US.

* cited by examiner

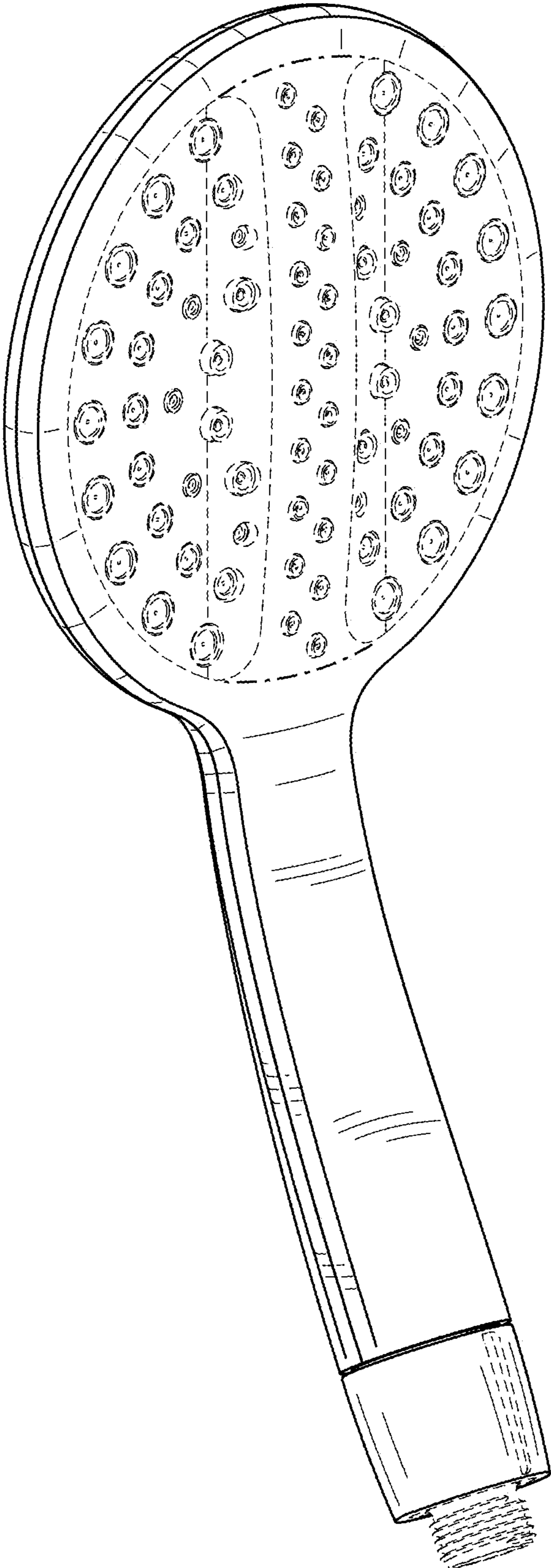


FIG. 1

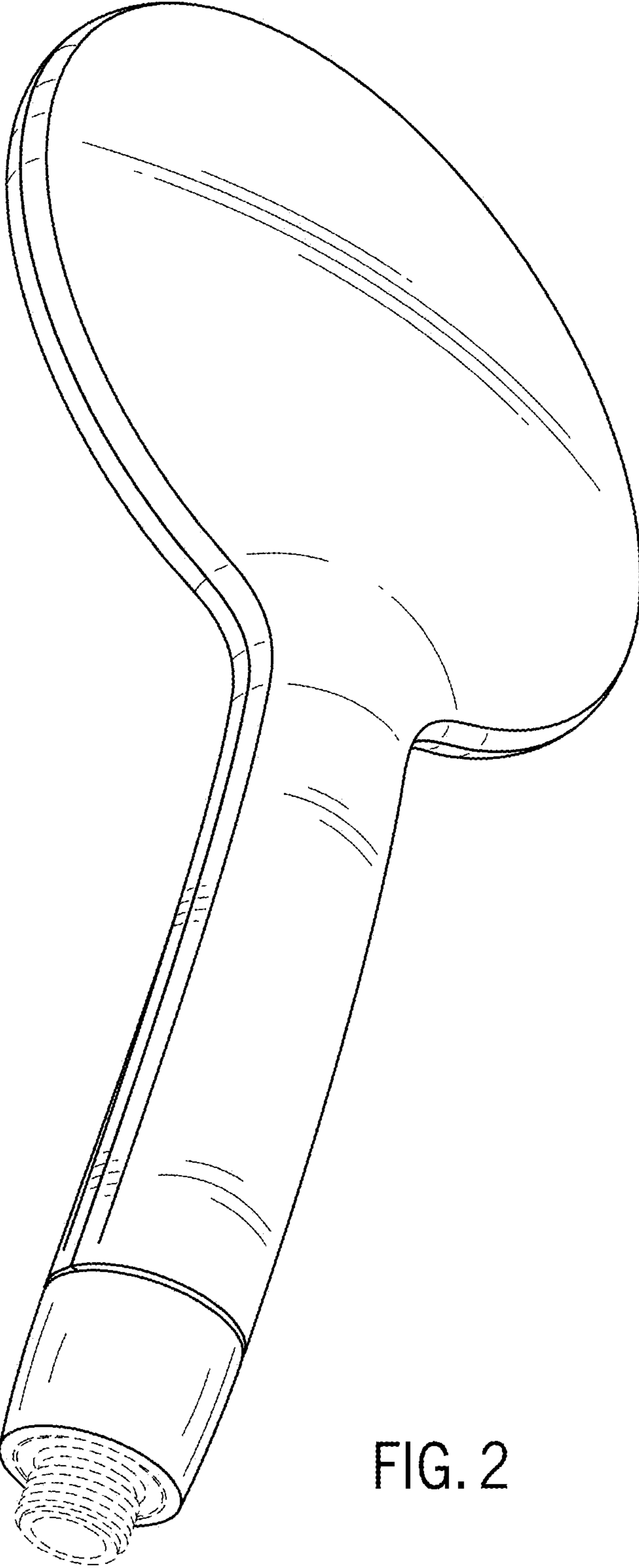


FIG. 2

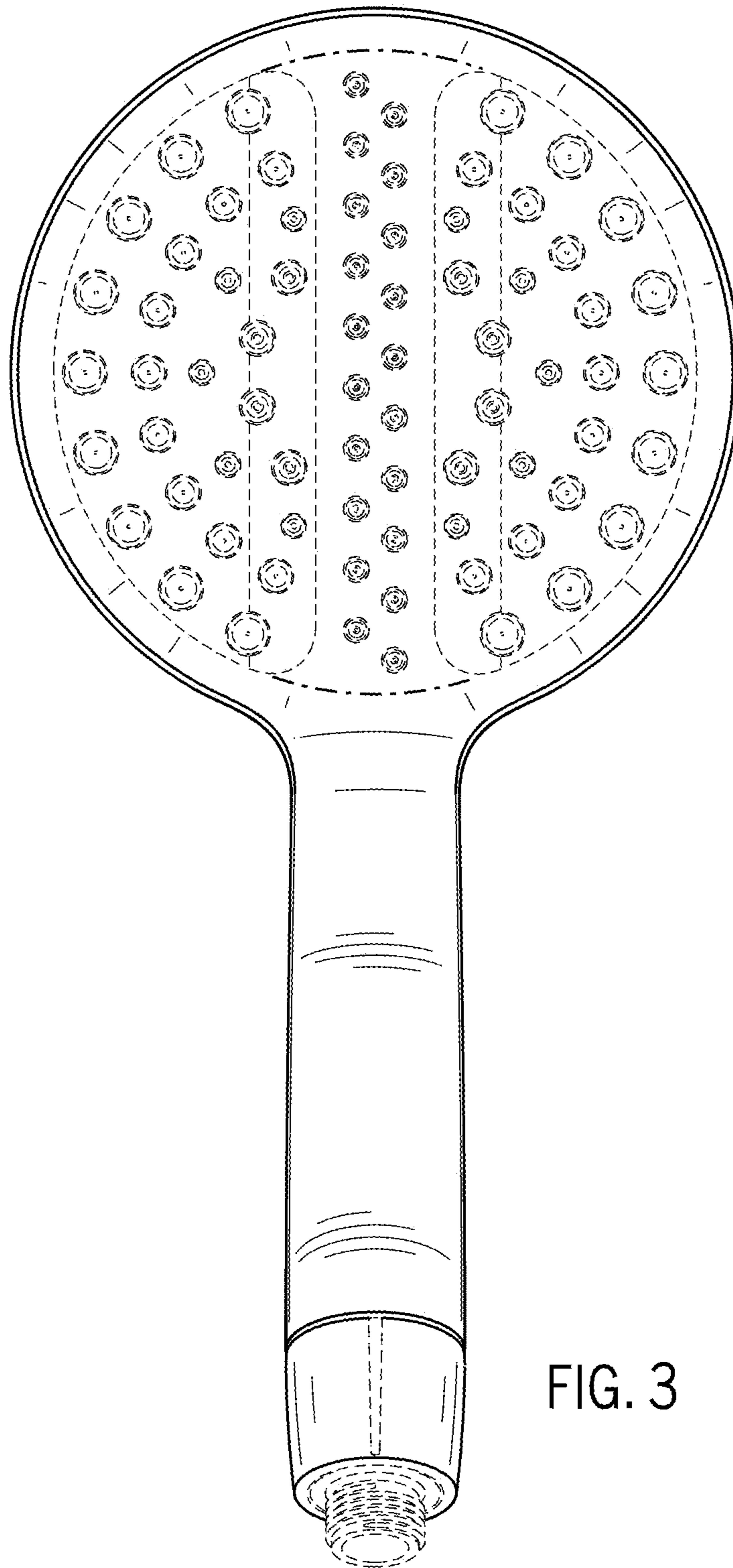


FIG. 3

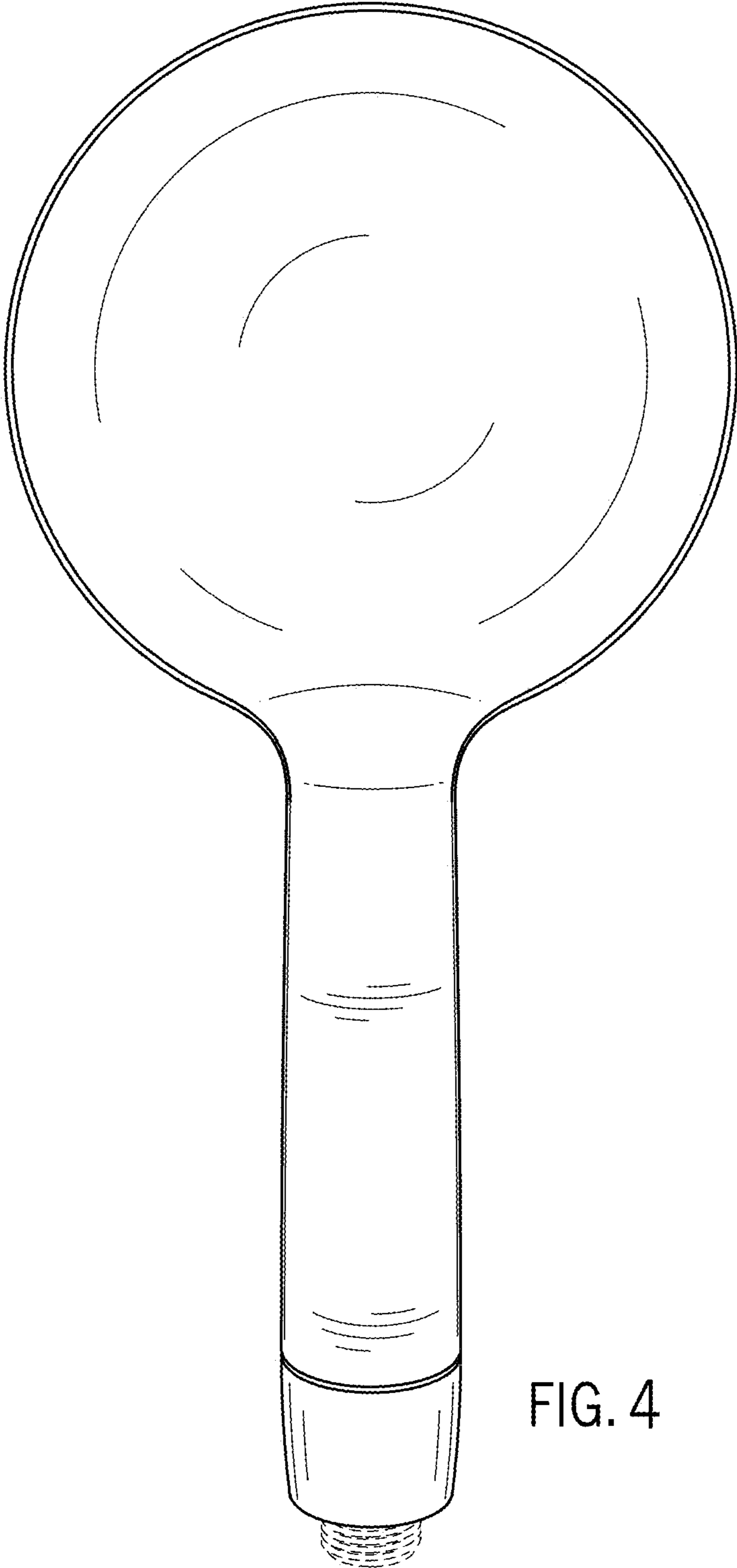


FIG. 4

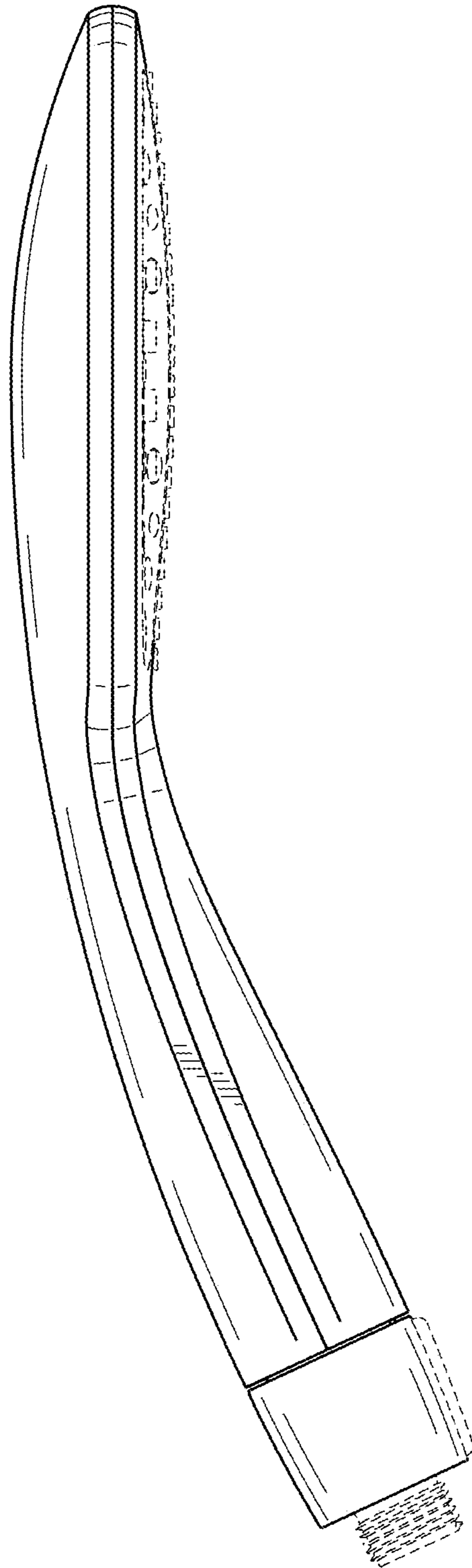


FIG. 5

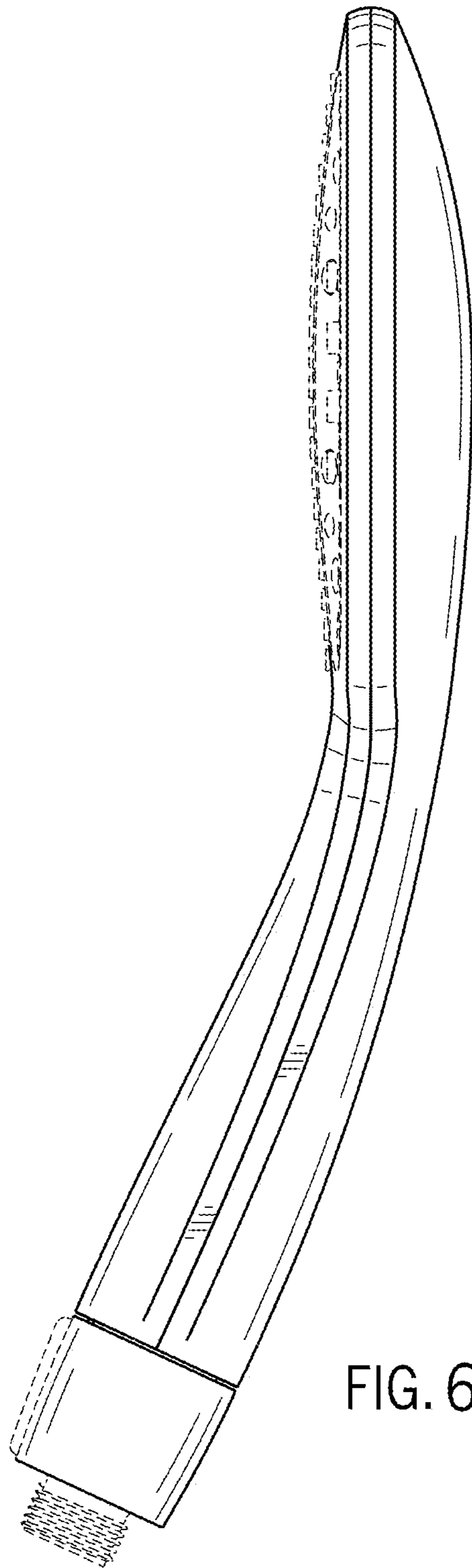


FIG. 6

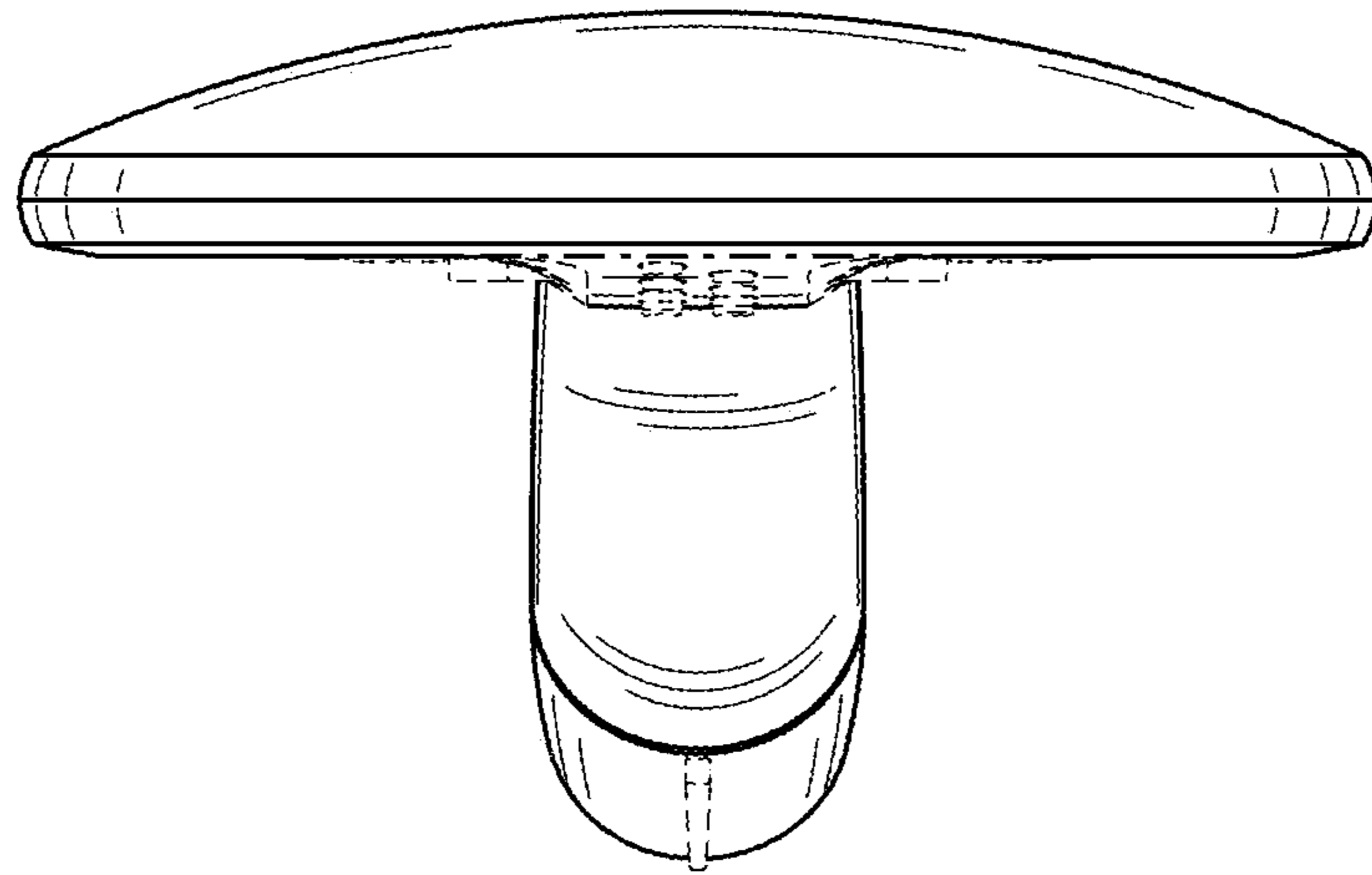


FIG. 7

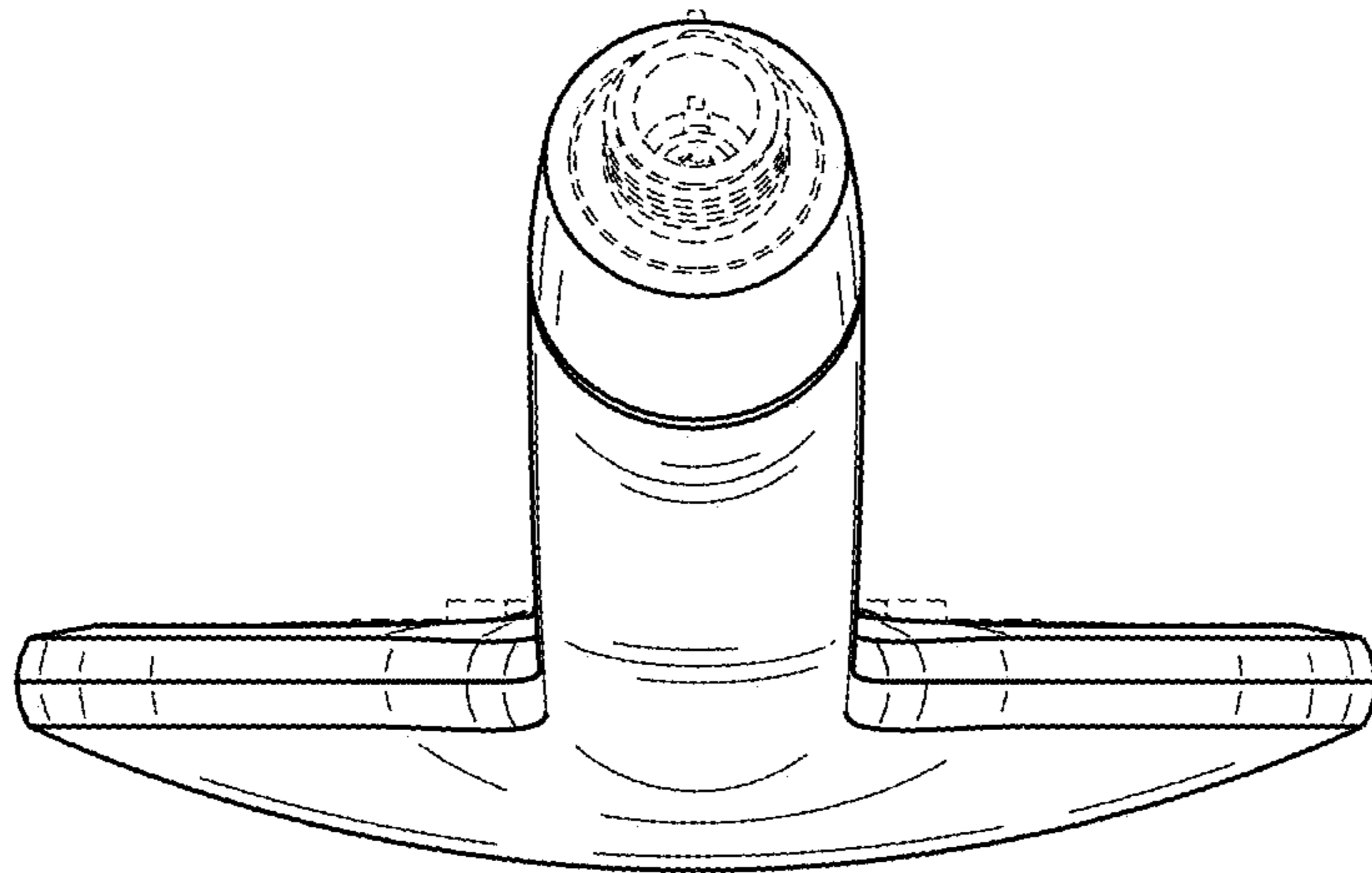


FIG. 8