



US00D984585S

(12) **United States Design Patent**
Lan

(10) **Patent No.:** **US D984,585 S**

(45) **Date of Patent:** **** Apr. 25, 2023**

(54) **DUAL JET**

(71) Applicant: **NINGBO YINZHOU DYNAS IMP & EXP CO., LTD**, Ningbo (CN)

(72) Inventor: **Guoqing Lan**, Ningbo (CN)

(**) Term: **15 Years**

(21) Appl. No.: **29/881,514**

(22) Filed: **Jan. 3, 2023**

(51) **LOC (14) Cl.** **23-01**

(52) **U.S. Cl.**
USPC **D23/213**

(58) **Field of Classification Search**
USPC D23/213, 214, 215, 223, 224, 226, 229;
D15/144, 144.2
CPC A61H 9/0021; A61H 33/00; B05B 1/00;
B05B 1/14; B05B 1/185; B05B 1/08;
B05B 1/02; B05B 1/26; B05B 12/002;
B05B 1/18; B05B 9/01
See application file for complete search history.

(56) **References Cited**

U.S. PATENT DOCUMENTS

D445,872 S	7/2001	Ketcham	
D623,264 S	9/2010	Parrott	
D702,809 S	4/2014	Restive	
D800,868 S	10/2017	Crenshaw	
D812,717 S	3/2018	Crenshaw	
D858,696 S	9/2019	Crenshaw	
D858,697 S	9/2019	Crenshaw	
D875,205 S	2/2020	Takezawa	
D900,283 S	10/2020	Deschamps	
D904,562 S *	12/2020	Stewart	D23/213
D904,565 S *	12/2020	Ross	D23/213
10,875,046 B2 *	12/2020	Morgan	F26B 3/12
D909,606 S *	2/2021	Maibach, Jr.	D24/232
D910,812 S *	2/2021	Kangkang	D23/226
D911,489 S	2/2021	Spooner	
10,961,027 B1 *	3/2021	Laible	B67D 7/0294

D920,471 S *	5/2021	Ross	D23/213
D922,521 S *	6/2021	Ross	D23/213
D974,528 S *	1/2023	Fang	D23/226
2021/0138499 A1 *	5/2021	Hazel	B05B 9/0426

OTHER PUBLICATIONS

Simpson 5-N-1 Spray Nozzle, Up to 3600 PSI, 80142, Jan. 2015, tractorsupply.com, Jul. 9, 2021.URL: <https://www.tractorsupply.com/tsc/product/simpson-universal-pressure-washer-5n1-nozzle-rated-up-to-3-400-psi> (Year: 2015).*

Lenere Downstream Injector for Pressure Washer, Power Washer Injector Kit, Aug. 17, 2021, amazon.ca, Jan. 24, 2021, URL: <https://www.amazon.ca/dp/B09CTZTMXB/> (Year: 2021).*

EDOU Direct Pressure Washer Short Gun Kit, Nov. 12, 2019, amazon.com Jan. 24, 2023, URL: <https://www.amazon.com/EDOU-Pressure-including-Nozzles-Quick-Connect/dp/B083116BHP> (Year: 2019).*

* cited by examiner

Primary Examiner — Keith J Wilson

(74) *Attorney, Agent, or Firm* — Runit Ranjit Kanakia

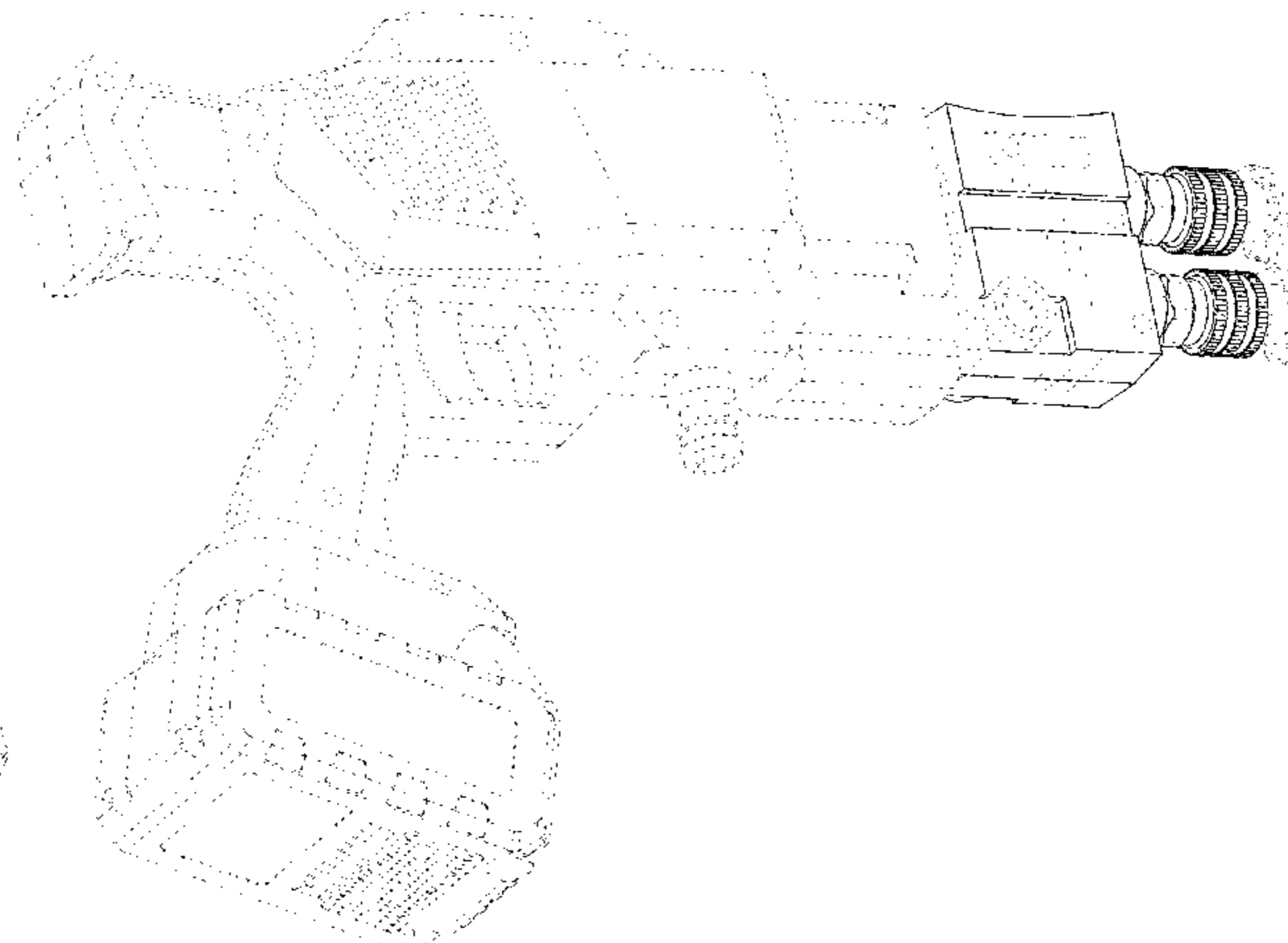
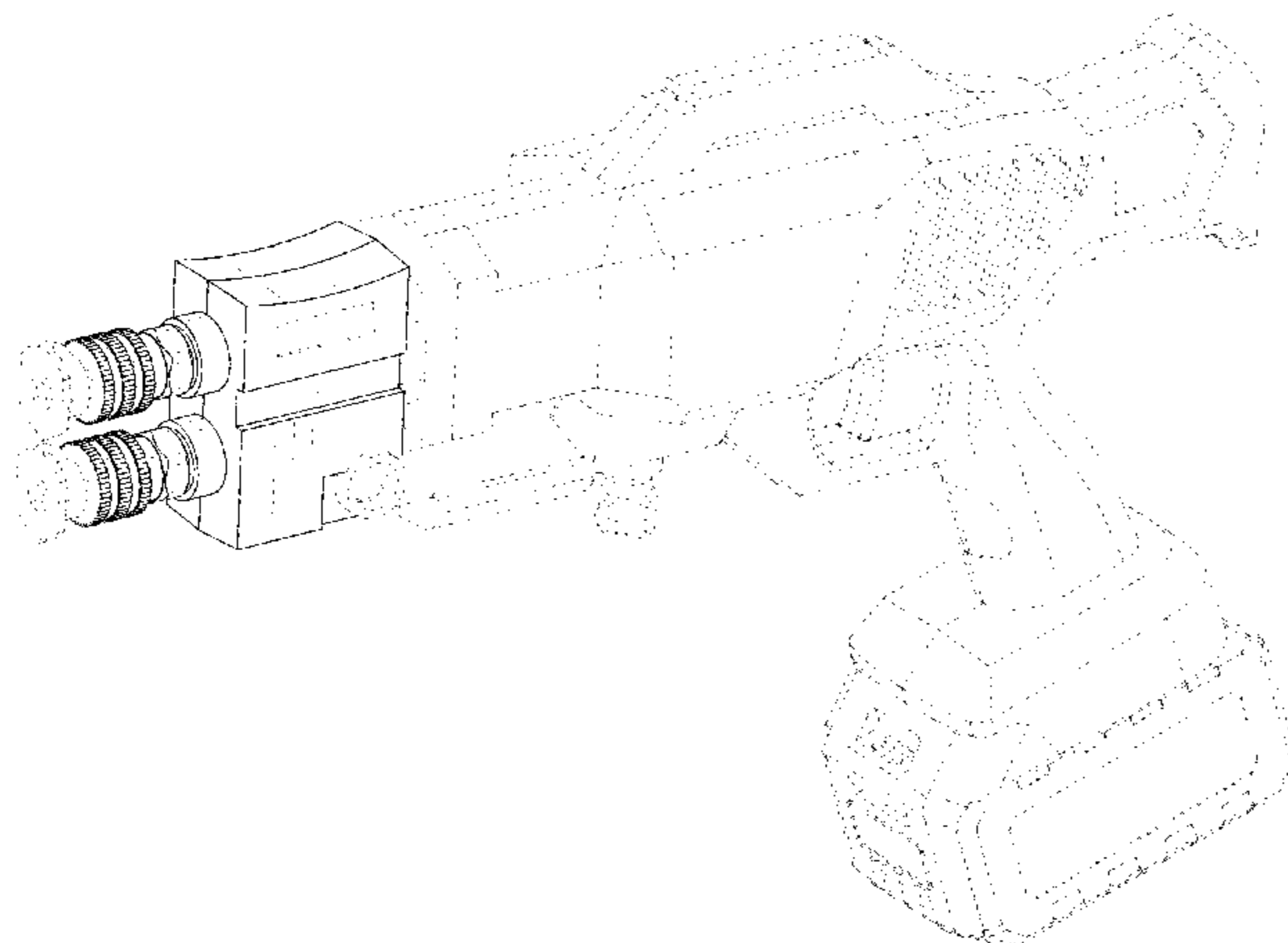
(57) **CLAIM**

The ornamental design for a dual jet, as shown and described.

DESCRIPTION

FIG. 1 is a front perspective view of a dual jet showing my new design;
FIG. 2 is a rear perspective view thereof;
FIG. 3 is a front elevational view thereof;
FIG. 4 is a rear elevational view thereof;
FIG. 5 is a left side view thereof;
FIG. 6 is a right side view thereof;
FIG. 7 is a top plan view thereof; and,
FIG. 8 is a bottom plan view thereof.
The broken lines in the figures are for the purposes of illustrating portions of the dual jet, which form no part of the claimed design.

1 Claim, 6 Drawing Sheets



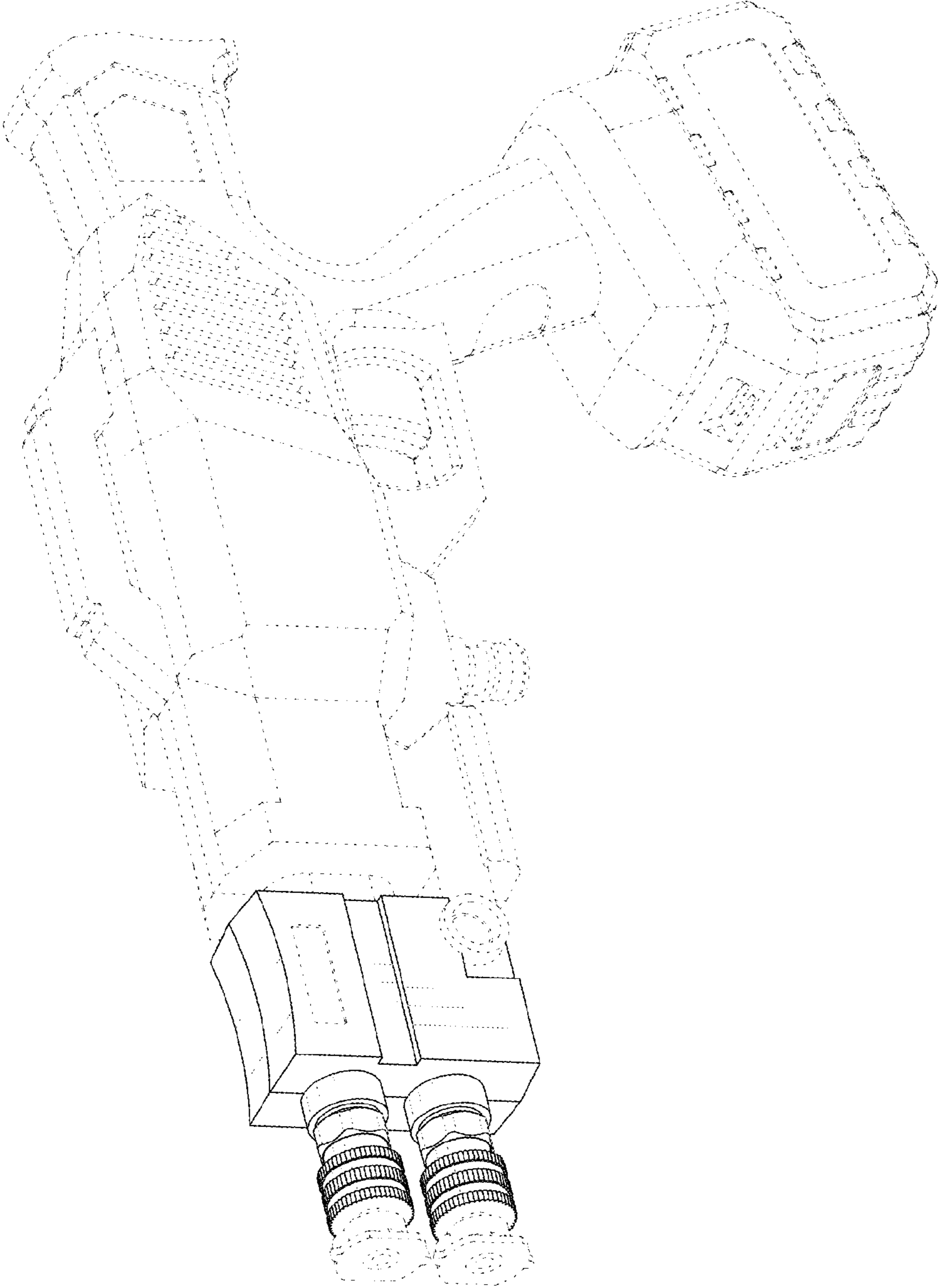


FIG. 1

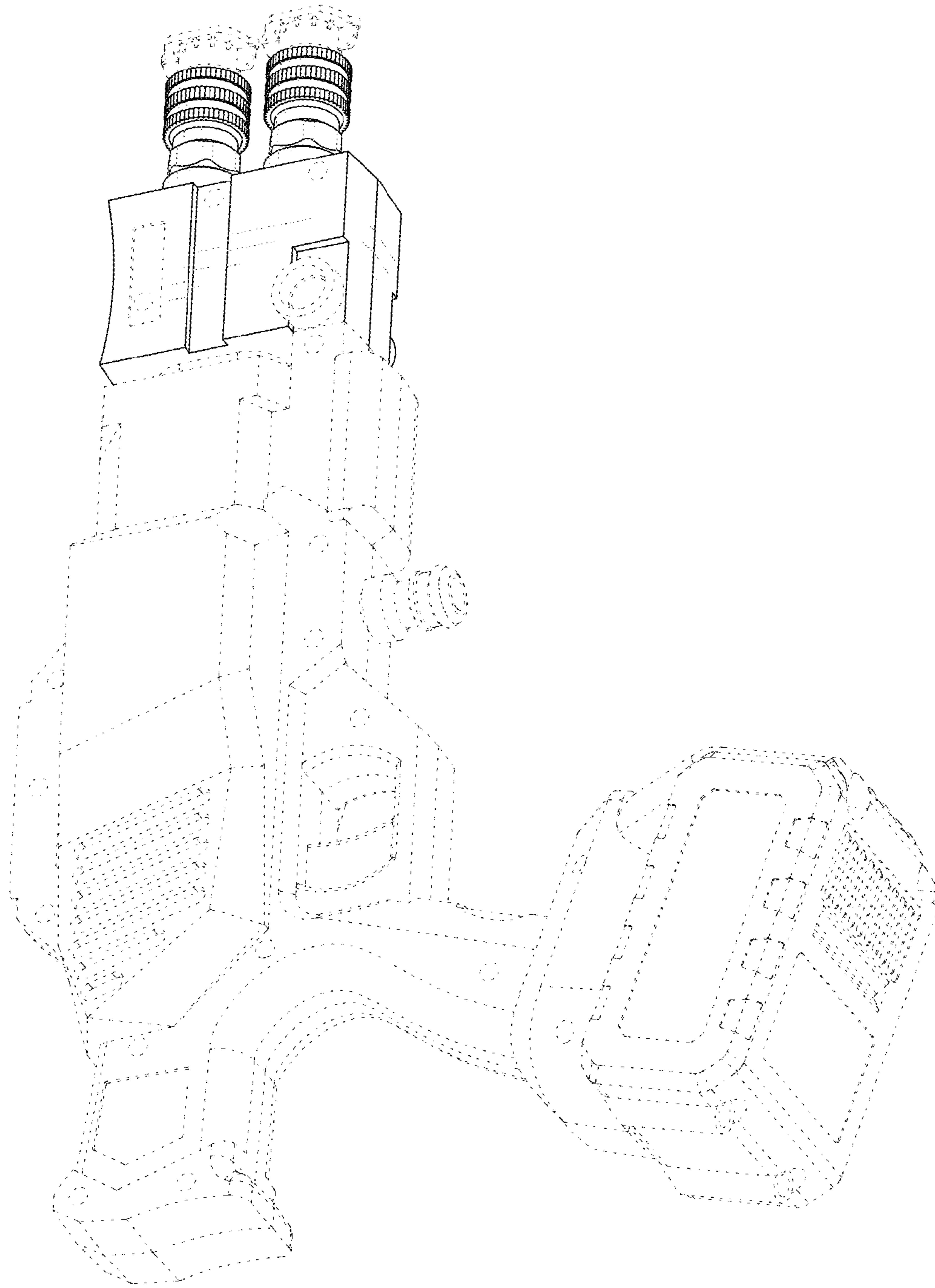


FIG. 2

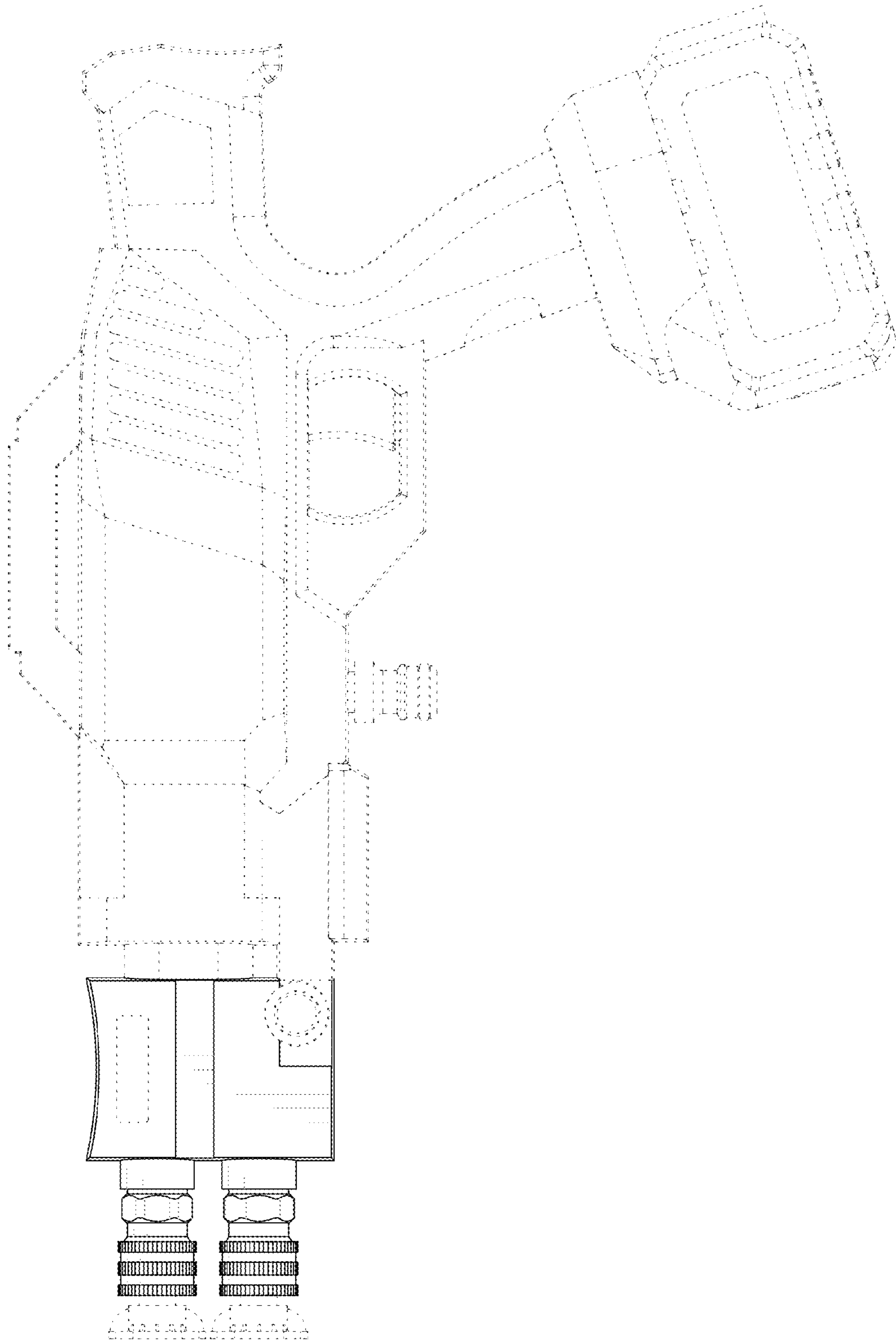


FIG. 3

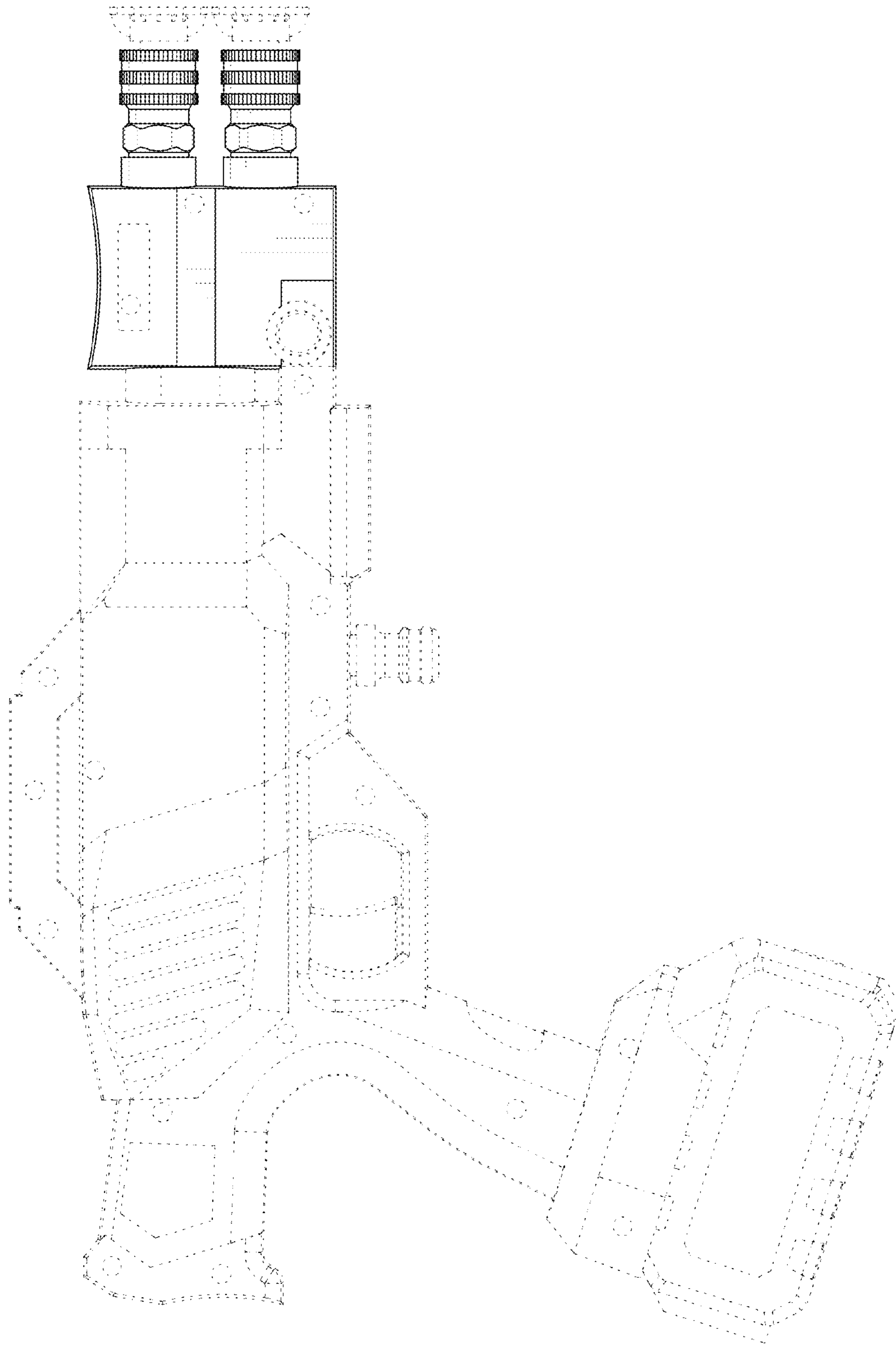


FIG. 4

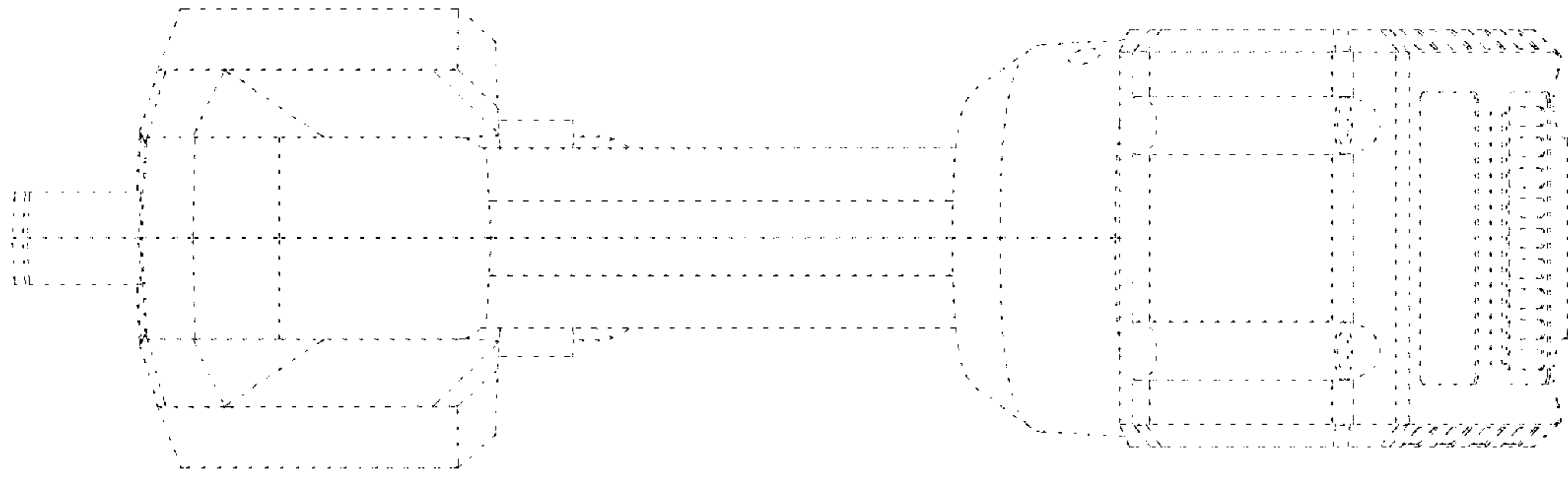


FIG. 6

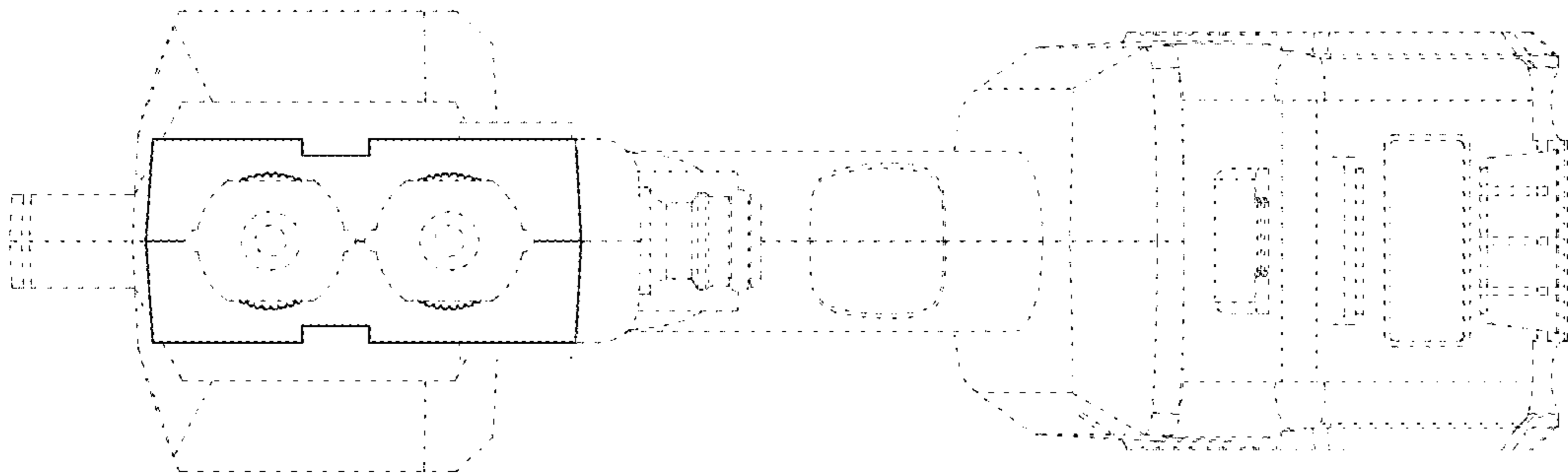


FIG. 5

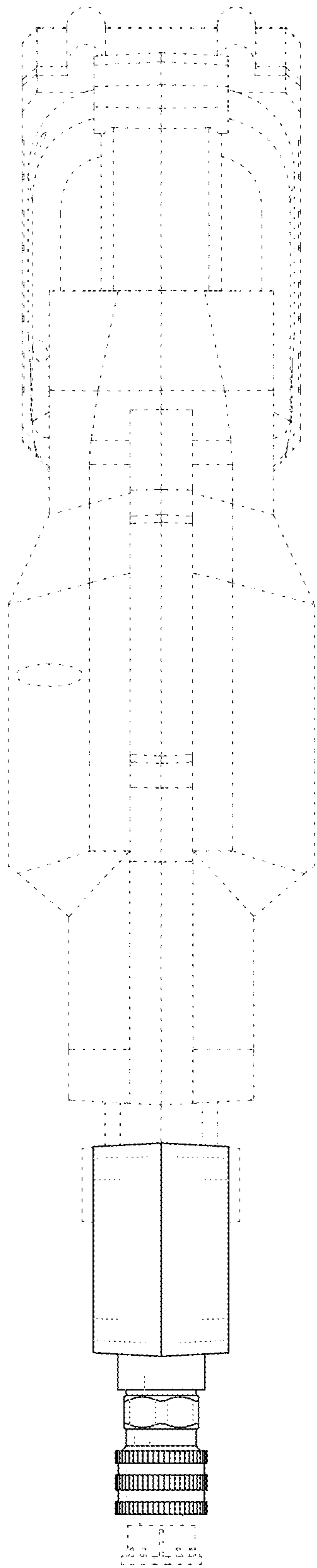


FIG. 7

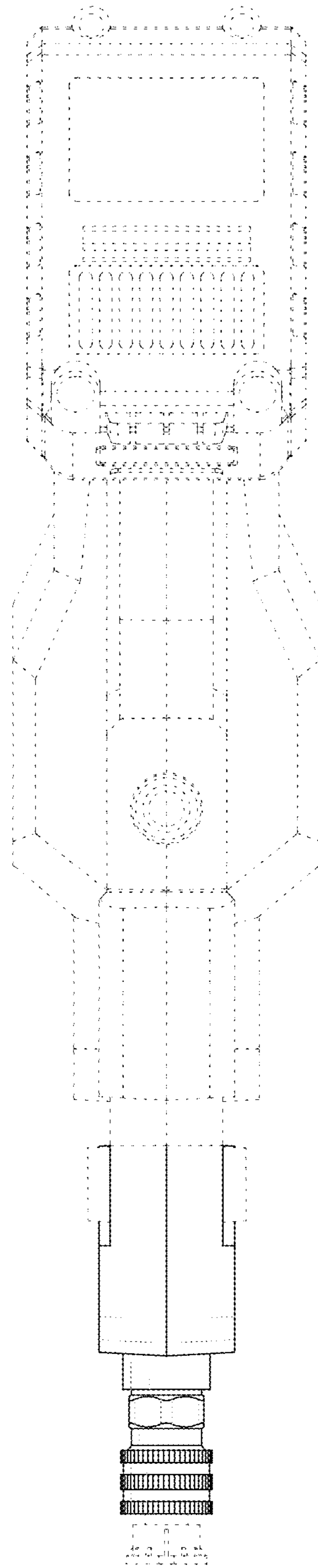


FIG. 8