



US00D984584S

(12) **United States Design Patent**  
**Li et al.**

(10) **Patent No.:** **US D984,584 S**

(45) **Date of Patent:** **\*\* Apr. 25, 2023**

(54) **WATER HOSE**

(71) Applicant: **XIAMEN DELMEI SANITARY WARE CO., LTD.**, Xiamen (CN)

(72) Inventors: **Wenjun Li**, Nanping (CN); **Weilong Luo**, Quanzhou (CN); **Chunhua Wang**, Xiamen (CN)

(73) Assignee: **XIAMEN DELMEI SANITARY WARE CO., LTD.**, Xiamen (CN)

(\*\*) Term: **15 Years**

(21) Appl. No.: **29/798,601**

(22) Filed: **Jul. 8, 2021**

(51) **LOC (14) Cl.** ..... **23-01**

(52) **U.S. Cl.**  
USPC ..... **D23/213**

(58) **Field of Classification Search**  
USPC ..... D23/213, 214, 215, 223, 224, 226, 229, D23/230  
CPC ..... A61H 9/0021; A61H 33/00; B05B 1/00; B05B 1/14; B05B 1/185; B05B 1/08; B05B 1/02; B05B 1/26; B05B 12/002; B05B 1/18; B05B 9/01

See application file for complete search history.

(56) **References Cited**

**U.S. PATENT DOCUMENTS**

D810,233 S *	2/2018	Winter	.....	D23/213
D810,861 S *	2/2018	Weaver	.....	D23/213
D820,388 S *	6/2018	Seum	.....	D23/213
D820,949 S *	6/2018	Reinecker	.....	D23/213
D821,542 S *	6/2018	Reinecker	.....	D23/213
D824,485 S *	7/2018	Montoya	.....	D23/213
D839,384 S *	1/2019	Svensen	.....	D23/213
D840,503 S *	2/2019	Stein	.....	D23/213
D841,121 S *	2/2019	Kiefer	.....	D23/213
D842,429 S *	3/2019	Huang	.....	D23/213

D842,430 S *	3/2019	Huang	.....	D23/213
D842,431 S *	3/2019	Cacka	.....	D23/213
D842,967 S *	3/2019	Farley	.....	D23/213
D854,349 S *	7/2019	Moerman	.....	D6/549
D868,940 S *	12/2019	Moerman	.....	D23/238
D869,611 S *	12/2019	van Vliet	.....	D23/241
D869,612 S *	12/2019	Moerman	.....	D23/242

**OTHER PUBLICATIONS**

Twinkle Star Pressure Washer Extension Wand, Apr. 10, 2019, amazon.com, Feb. 15, 2023, URL: <https://www.amazon.com/Twinkle-Star-Pressure-Extension-Replacement/dp/B07QK7XXLV/> (Year: 2019).\*

Trustmi 13 Inch Shower Arm with Flange, Sep. 29, 2019, amazon.ca, 2/15/203, URL: <https://www.amazon.ca/dp/B07X461383/> (Year: 2019).\*

\* cited by examiner

*Primary Examiner* — Keith J Wilson

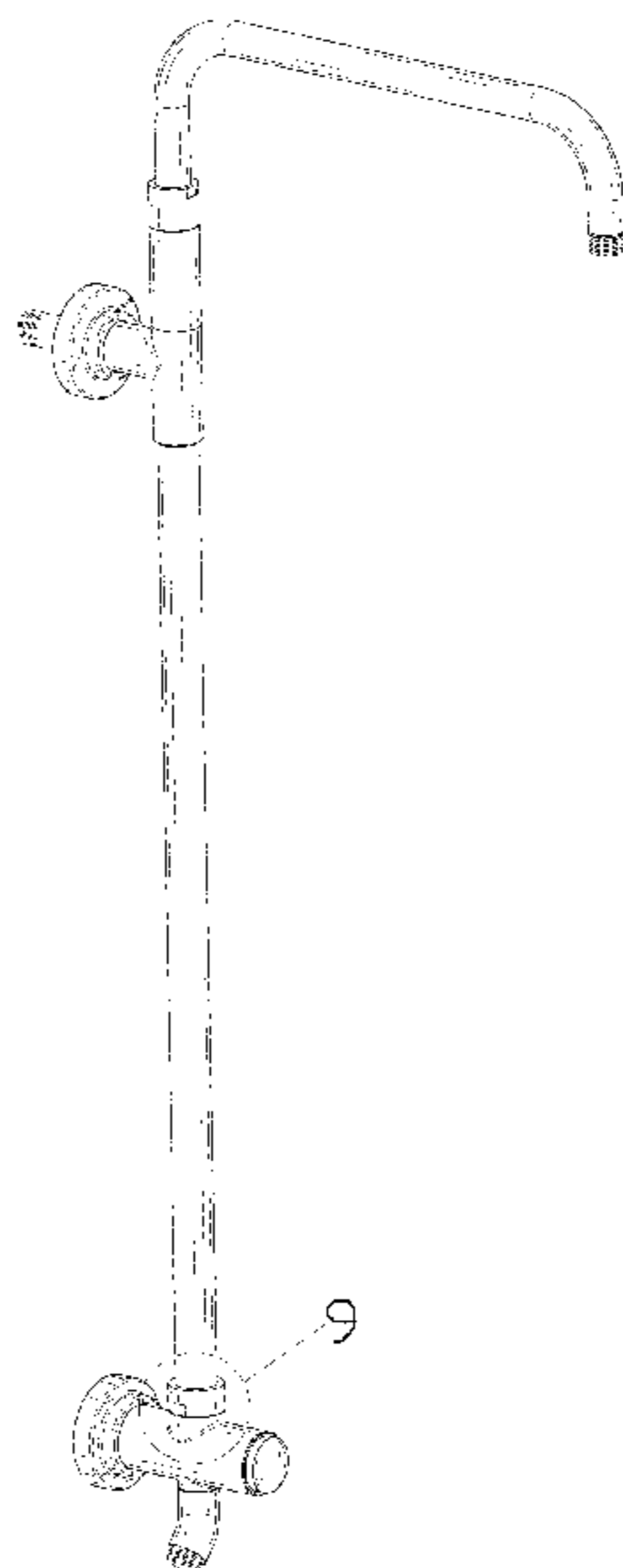
(57) **CLAIM**

The ornamental design for a water hose, as shown and described.

**DESCRIPTION**

FIG. 1 is a perspective view of a water hose showing my new design;  
FIG. 2 is another perspective view thereof;  
FIG. 3 is a front elevational view thereof;  
FIG. 4 is a rear elevational view thereof;  
FIG. 5 is a left side elevational view thereof;  
FIG. 6 is a right side elevational view thereof;  
FIG. 7 is a top plan view thereof;  
FIG. 8 is a bottom plan view thereof;  
FIG. 9 is an enlarged view of portion 9 shown in FIG. 1; and,  
FIG. 10 is an enlarged view of portion 10 shown in FIG. 2.  
The broken lines in the drawings depict portions of the water hose that form no part of the claimed design.

**1 Claim, 10 Drawing Sheets**



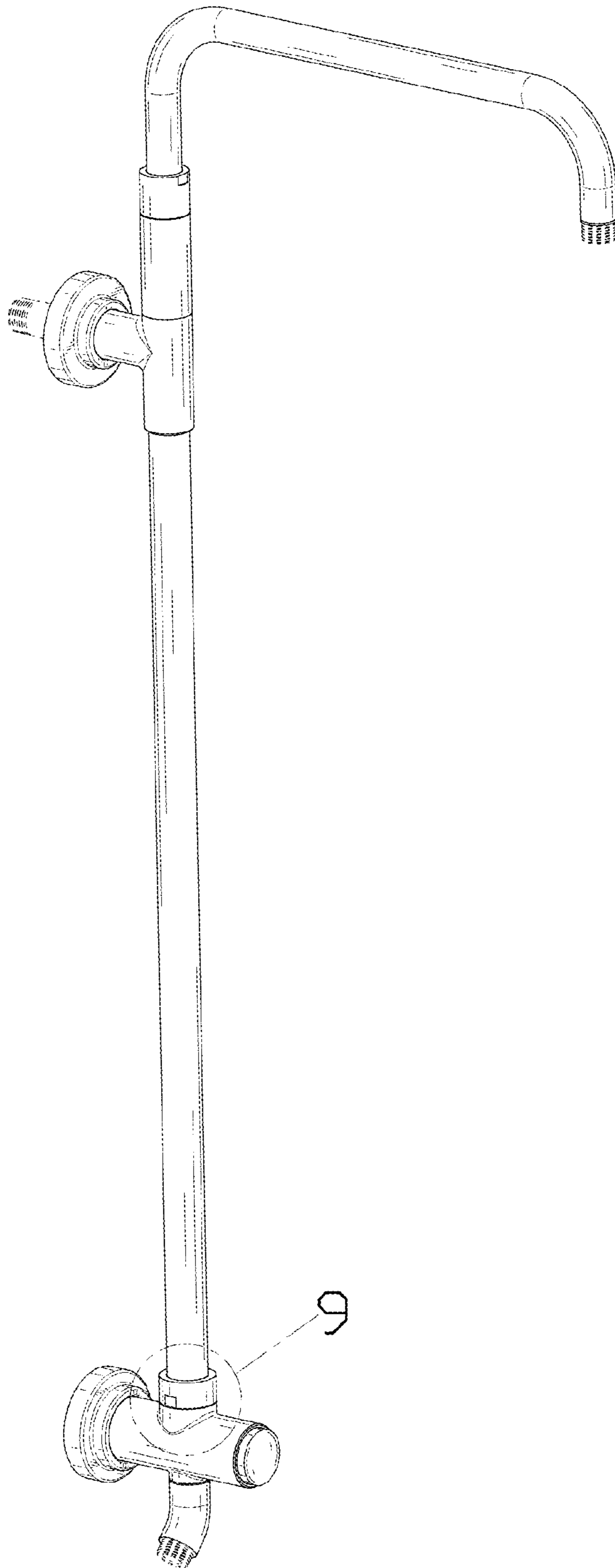


FIG. 1

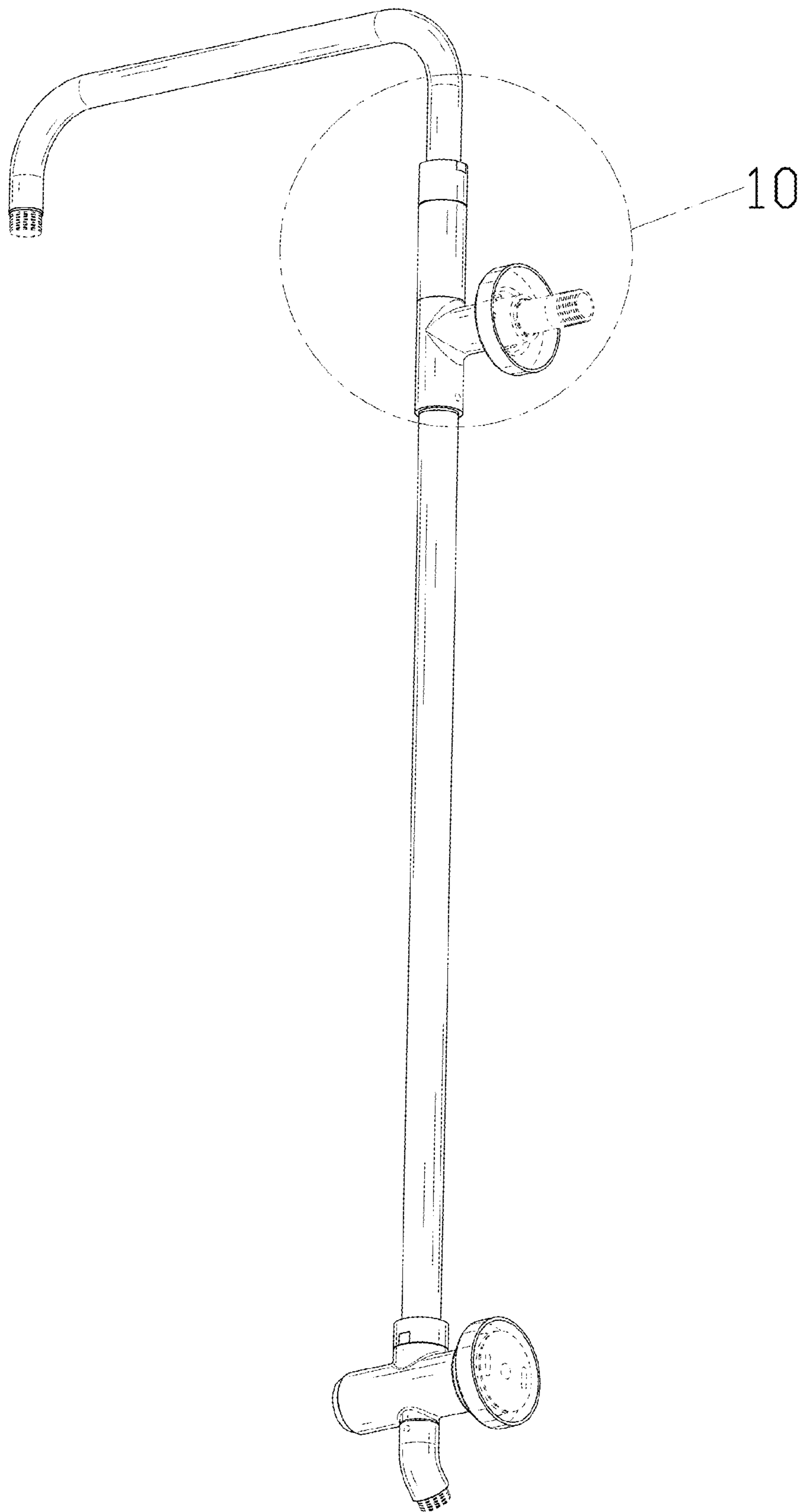


FIG. 2

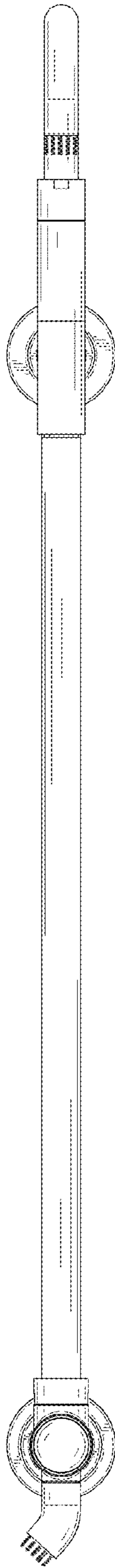


FIG. 3

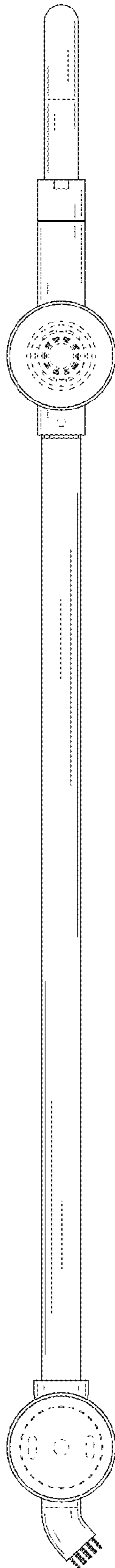


FIG. 4

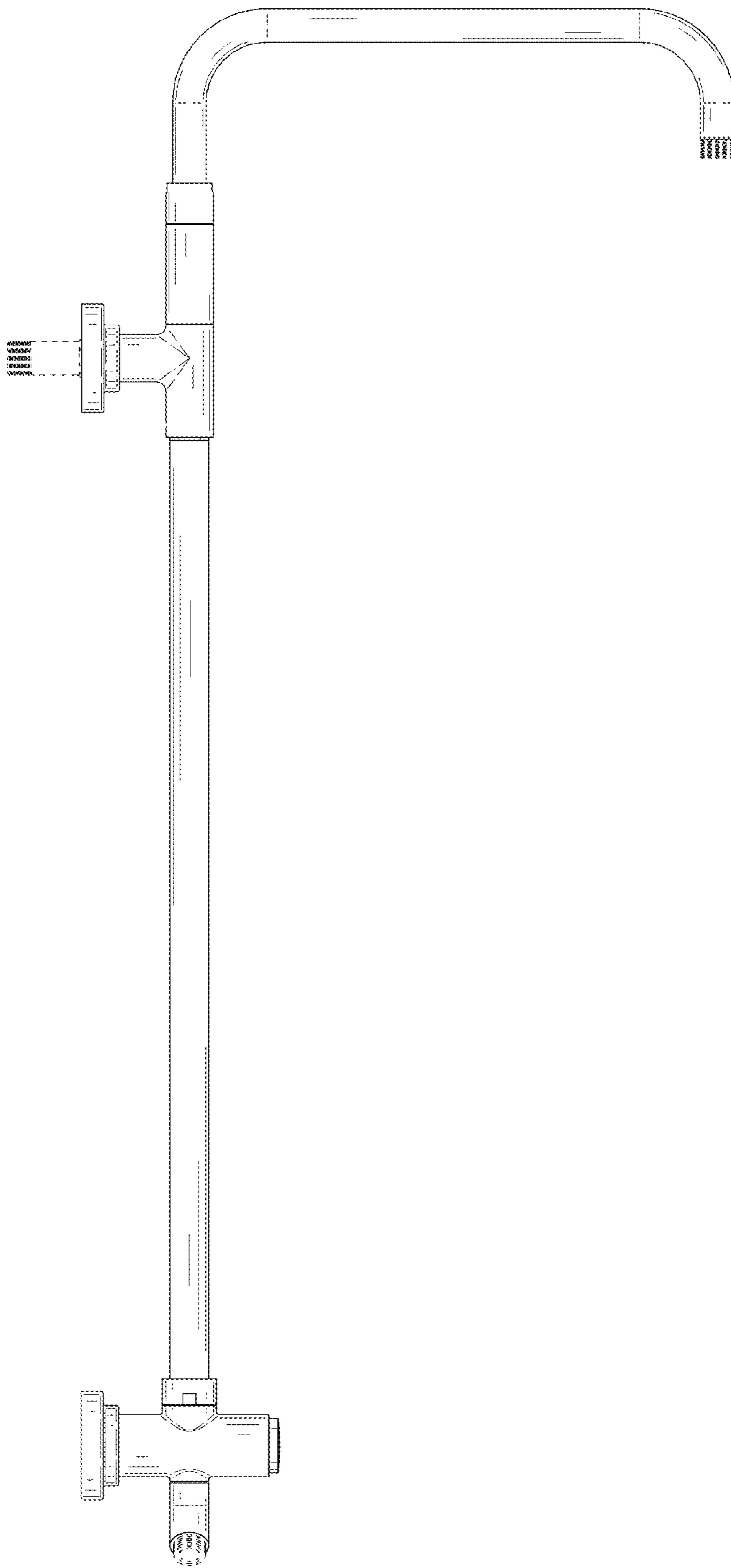


FIG. 5

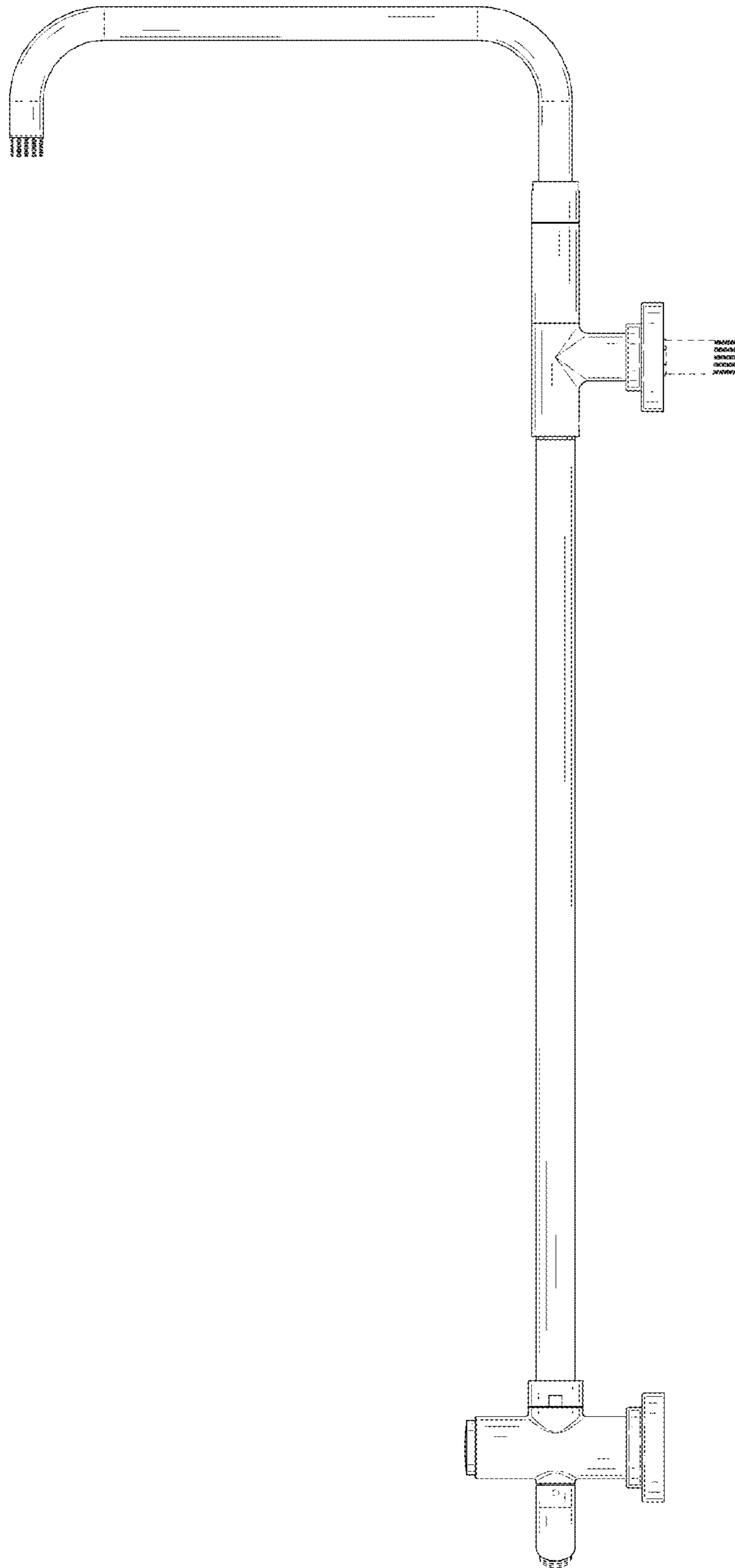


FIG. 6

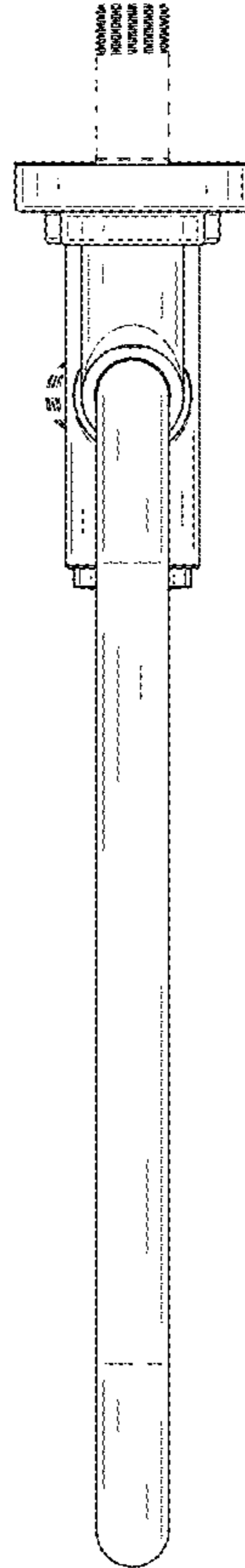


FIG. 7



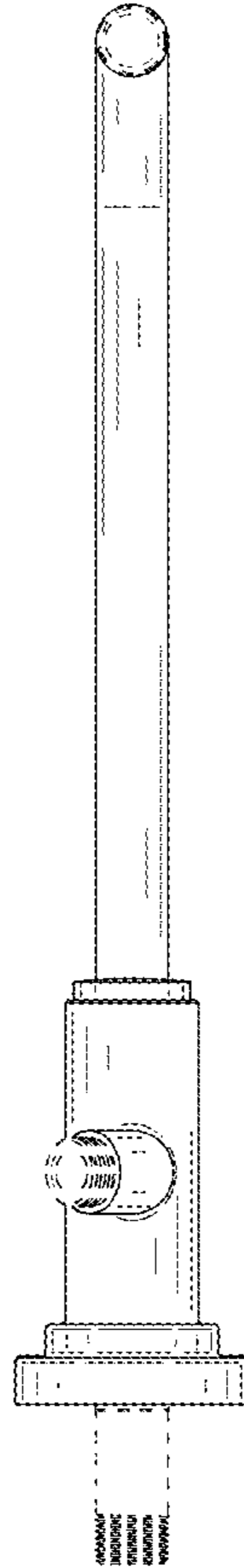


FIG. 8

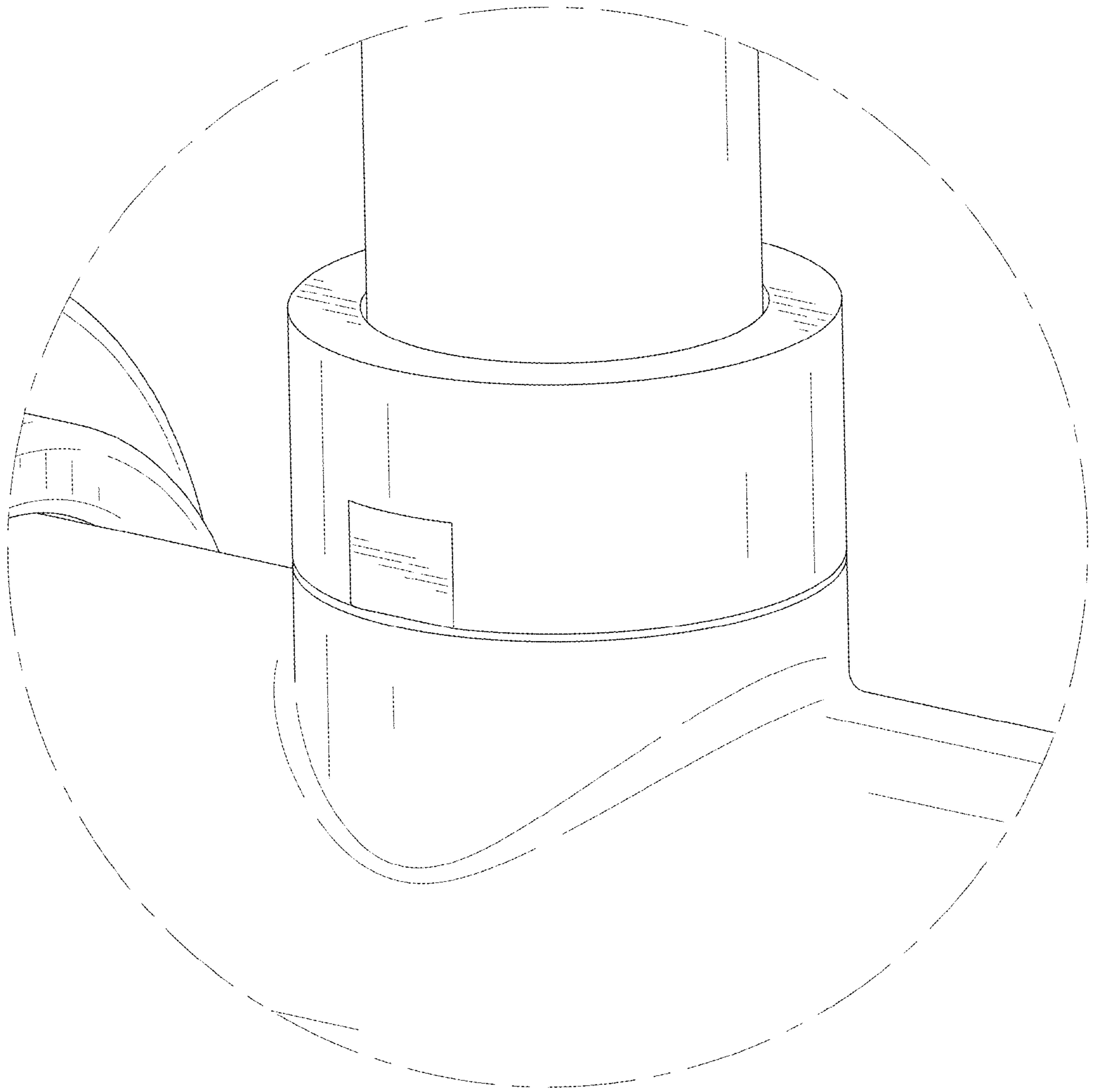


FIG. 9

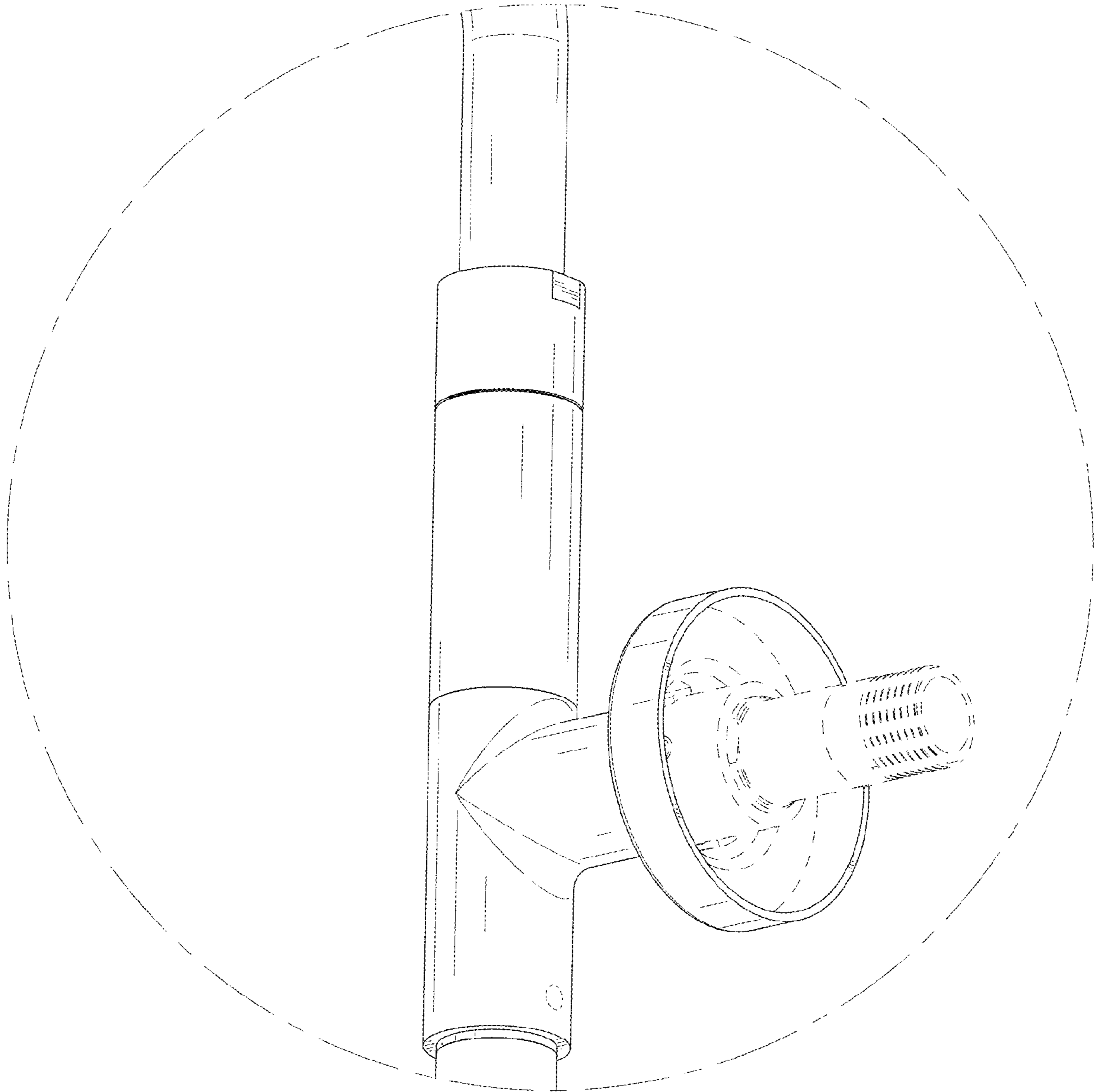


FIG. 10