



US00D984583S

(12) **United States Design Patent**  
**Guo**

(10) **Patent No.:** **US D984,583 S**

(45) **Date of Patent:** **\*\* Apr. 25, 2023**

(54) **FLOW CONTROLLABLE SHOWERHEAD  
BODY SPRAY**

(71) Applicant: **WenYing Guo**, Guangdong (CN)

(72) Inventor: **WenYing Guo**, Guangdong (CN)

(\*\*) Term: **15 Years**

(21) Appl. No.: **29/737,372**

(22) Filed: **Jun. 8, 2020**

(51) **LOC (14) Cl.** ..... **23-01**

(52) **U.S. Cl.**  
USPC ..... **D23/213**

(58) **Field of Classification Search**  
USPC ..... D23/213, 201  
CPC .. B05B 1/18; B05B 1/185; B05B 3/04; B05B  
1/06; B05B 12/002; B05B 15/68  
See application file for complete search history.

(56) **References Cited**

**U.S. PATENT DOCUMENTS**

D524,405 S *	7/2006	Hoernig	.....	D23/213
D590,046 S *	4/2009	Starck	.....	D23/213
D604,802 S *	11/2009	Schoenherr	.....	D23/213
D662,176 S *	6/2012	Flowers	.....	D23/213
D662,177 S *	6/2012	Flowers	.....	D23/213
8,733,674 B2 *	5/2014	Kajuch	.....	B05B 1/3026 239/240

**OTHER PUBLICATIONS**

Backnets (Upgrade) Solid Brass Shower Body Spray, www.amazon.com, shown in pp. 1-8, ASIN B08DKXG6JT, Jul. 24, 2020.\*  
Backnets Solid Brass Shower Body Spray with On Off Switch Massage, www.amazon.com, shown in pp. 1-10, ASIN B08CK1GB47, Jul. 8, 2020.\*  
Solid Brass Shower Body Spray Massage Nozzle Wall Jets, www.homedec.en.made-in-china.com, shown in pp. 1-4, Model HD-G6JT.\*

\* cited by examiner

*Primary Examiner* — Gino Colan

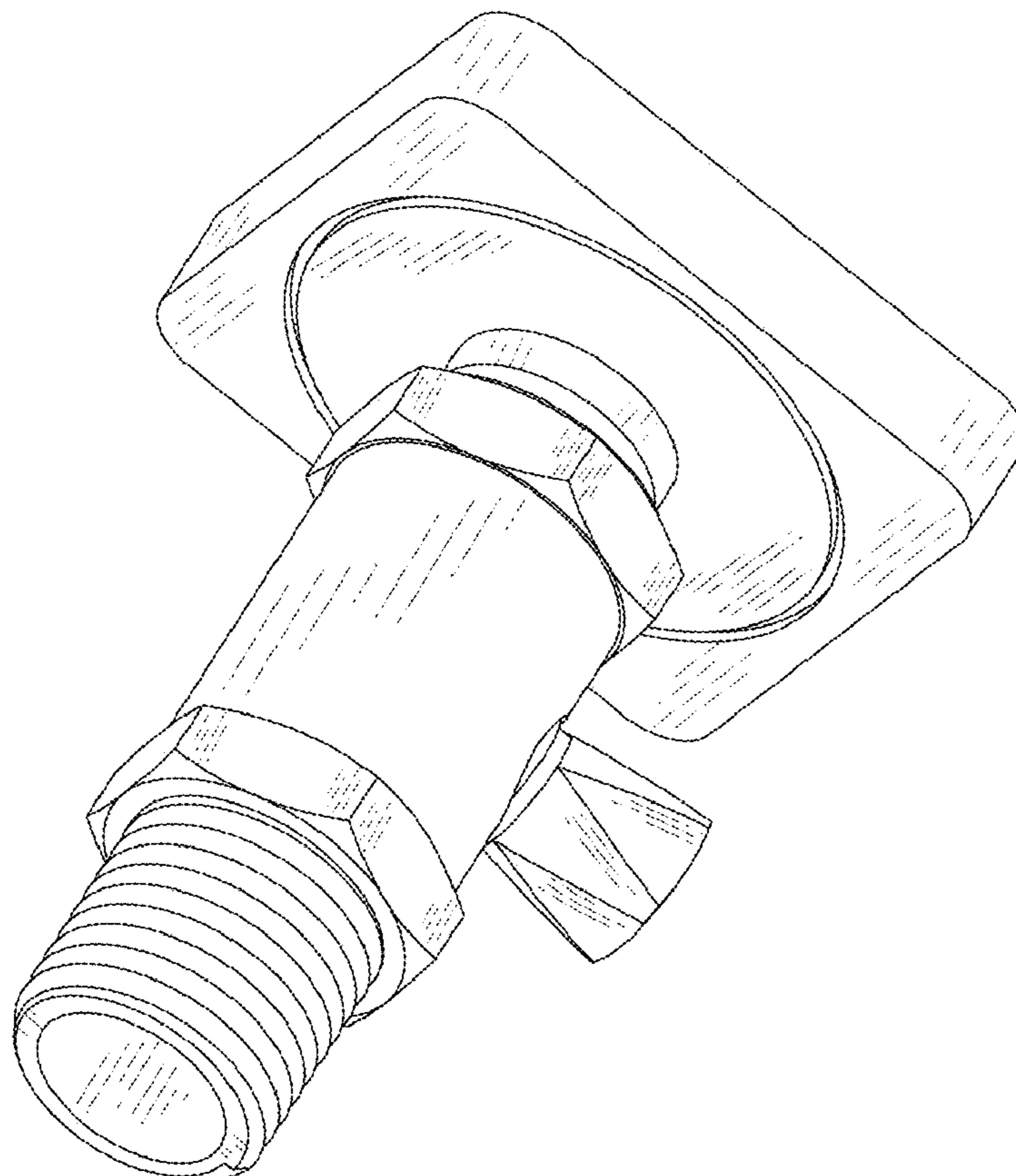
(57) **CLAIM**

The ornamental design for a flow controllable showerhead body spray, as shown and described.

**DESCRIPTION**

FIG. 1 is a left and bottom perspective view of a flow controllable showerhead body spray showing my new design;  
FIG. 2 is a right and top perspective view thereof;  
FIG. 3 is a front elevation view thereof;  
FIG. 4 is a rear elevation view thereof;  
FIG. 5 is a left side elevation view thereof;  
FIG. 6 is a right side elevation view thereof;  
FIG. 7 is a top plan view thereof; and,  
FIG. 8 is a bottom plan view thereof.

**1 Claim, 8 Drawing Sheets**



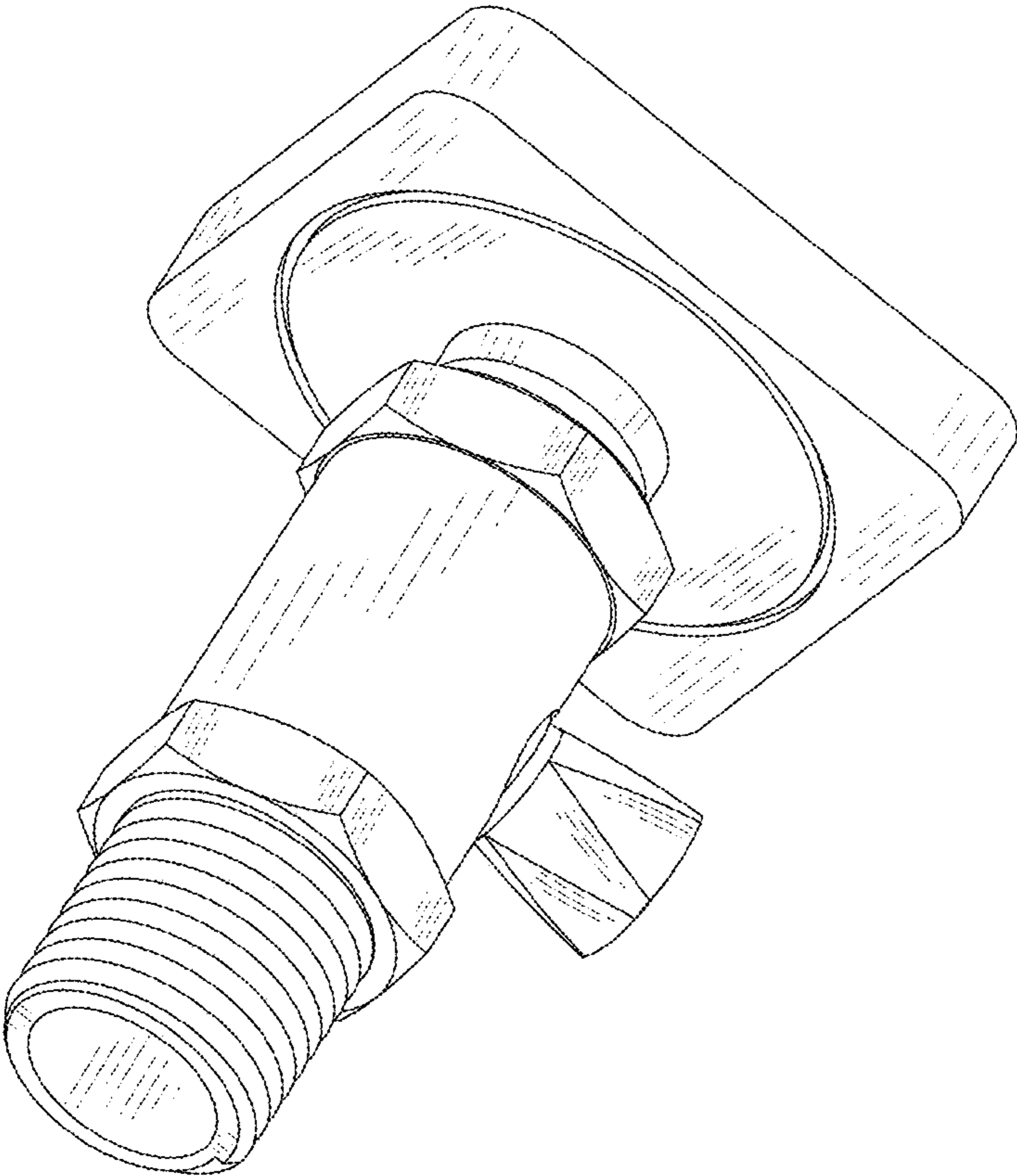


FIG.1

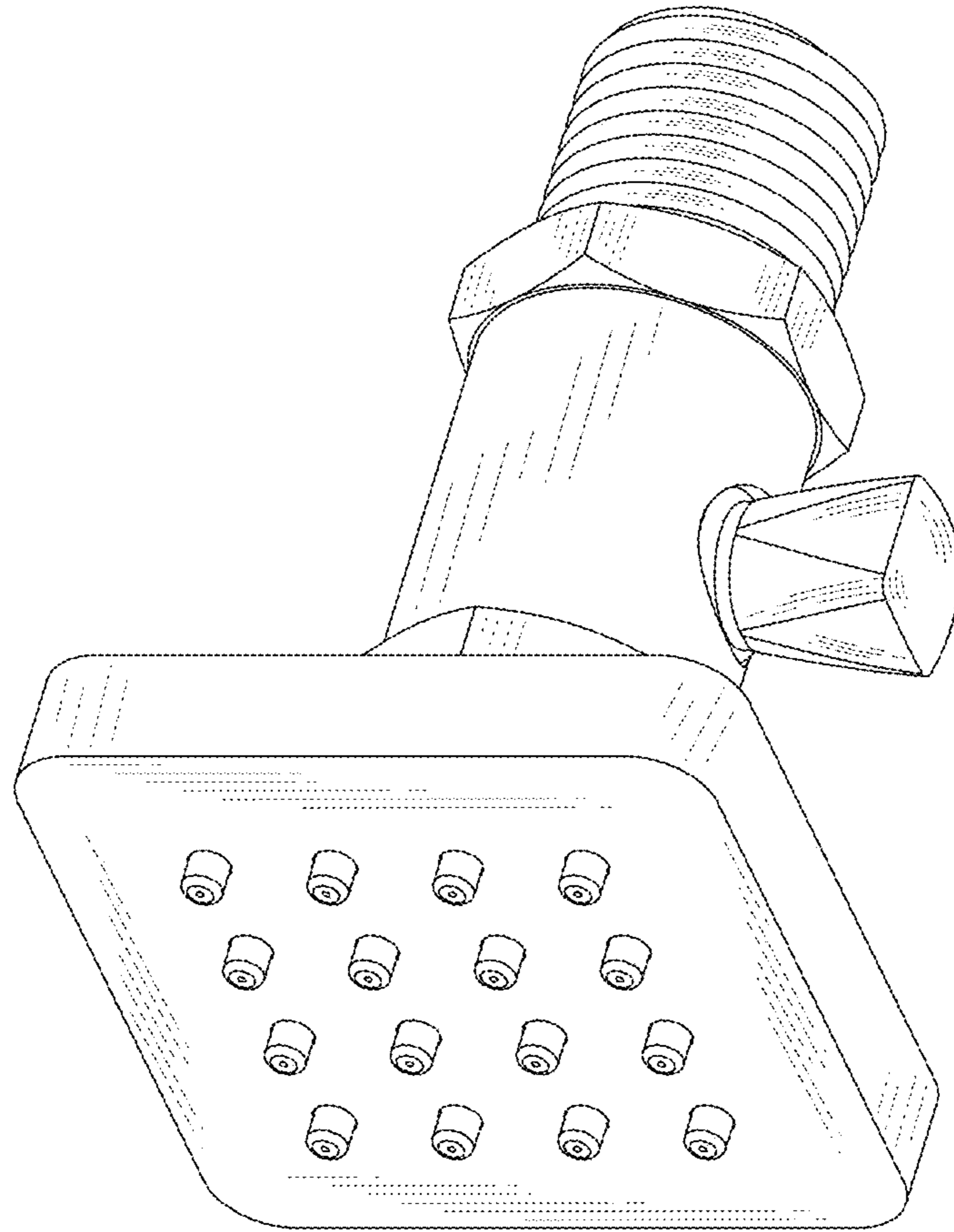


FIG.2

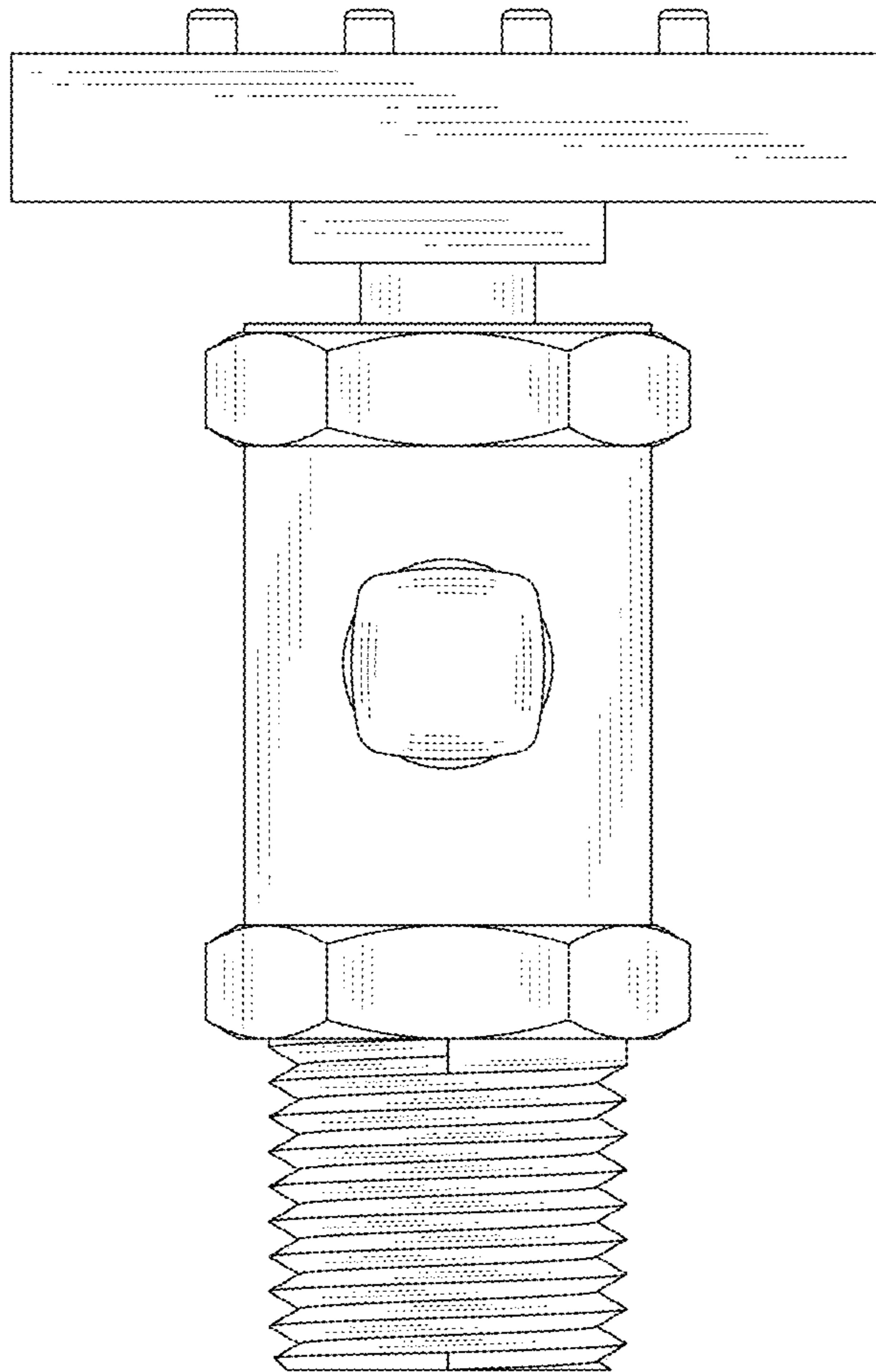


FIG.3

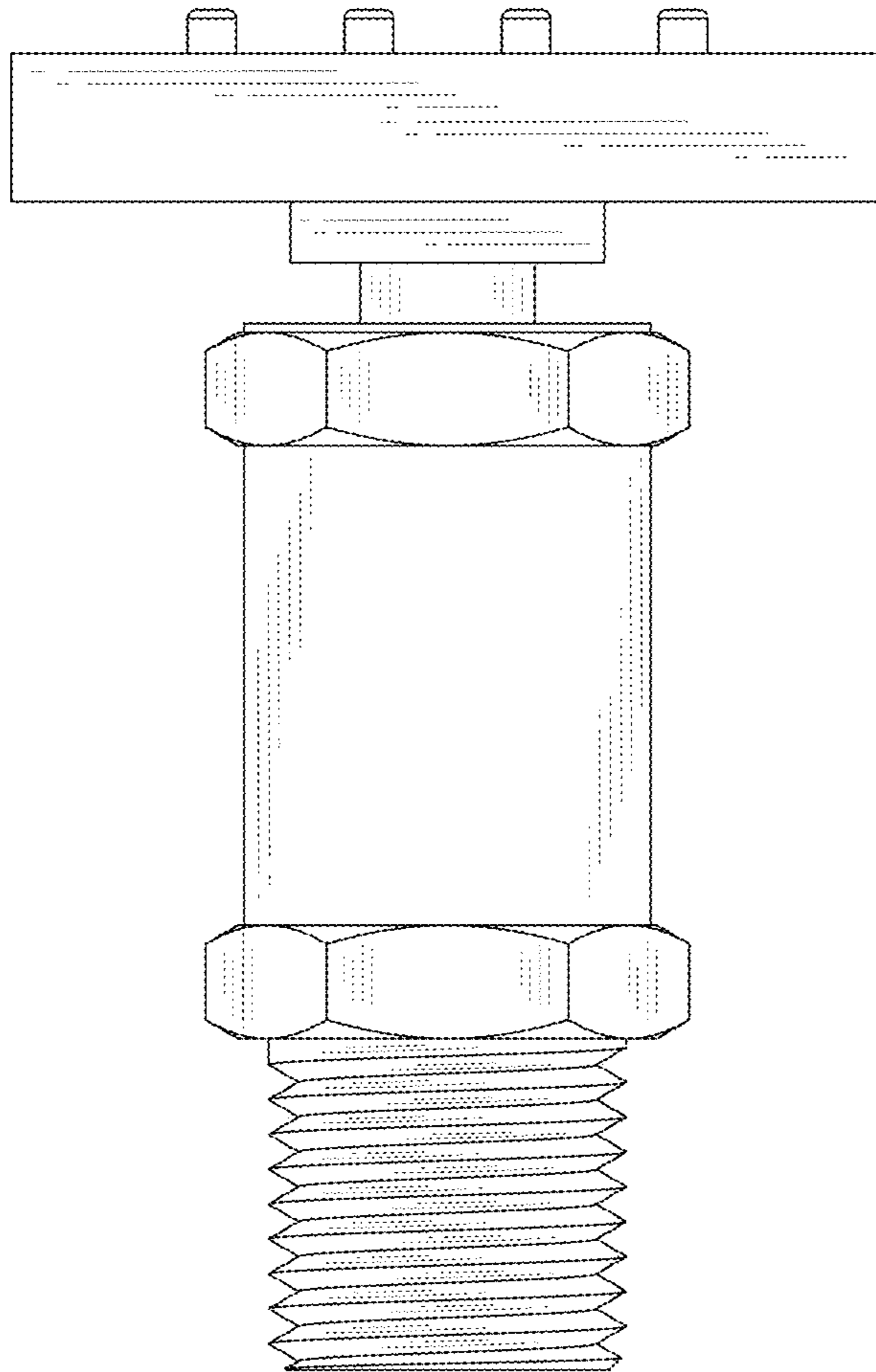


FIG.4



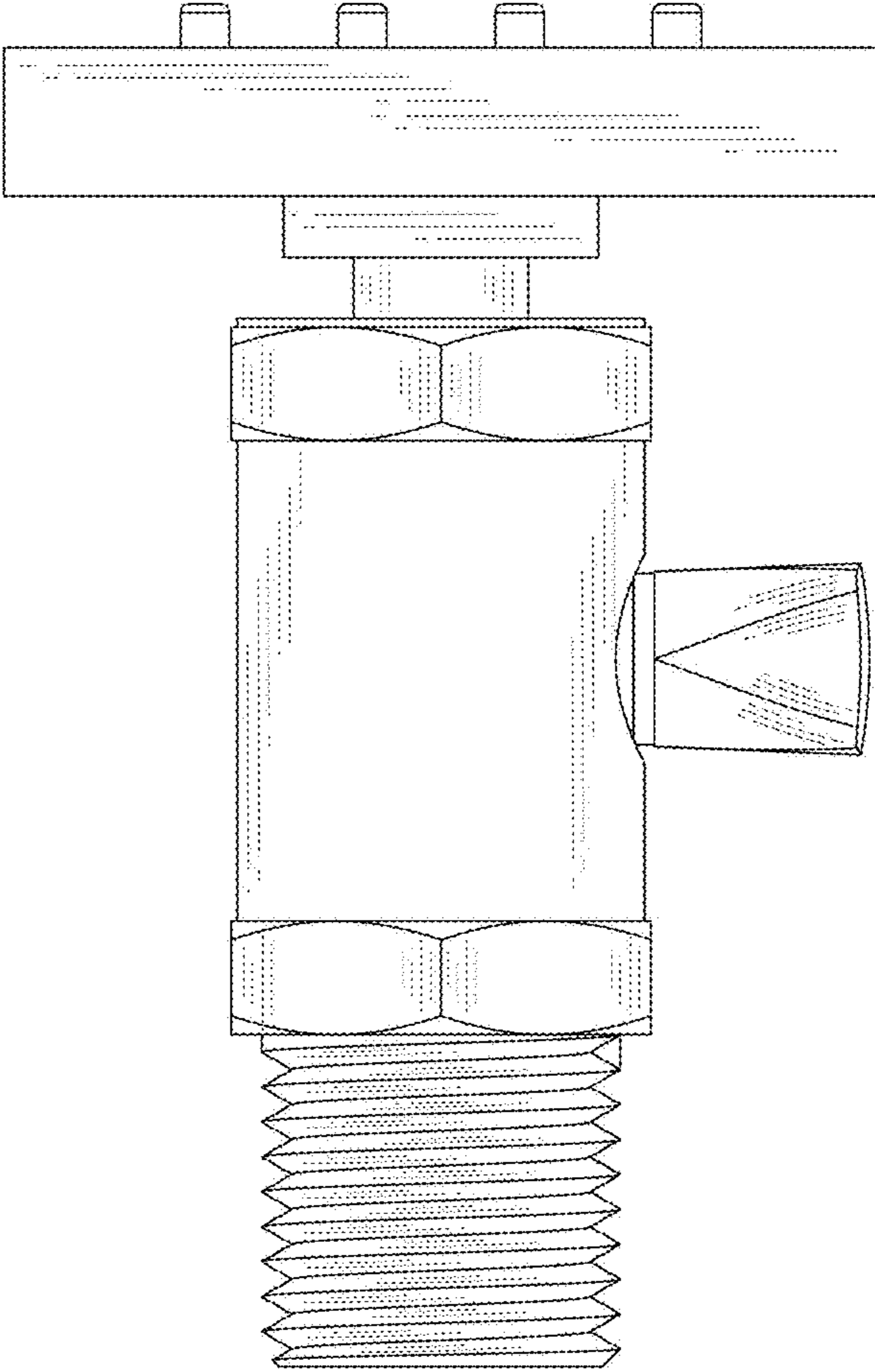


FIG.5

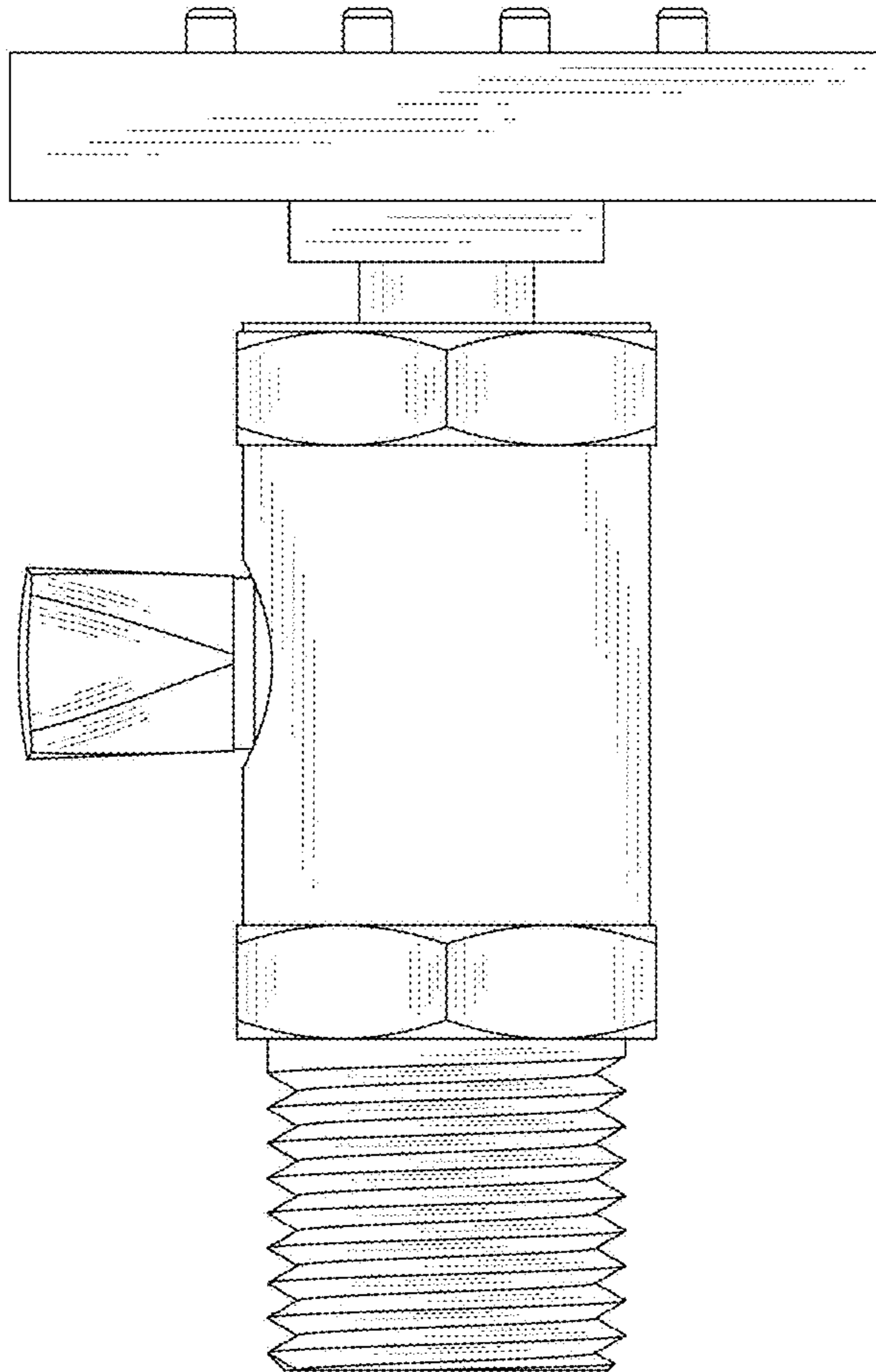


FIG.6

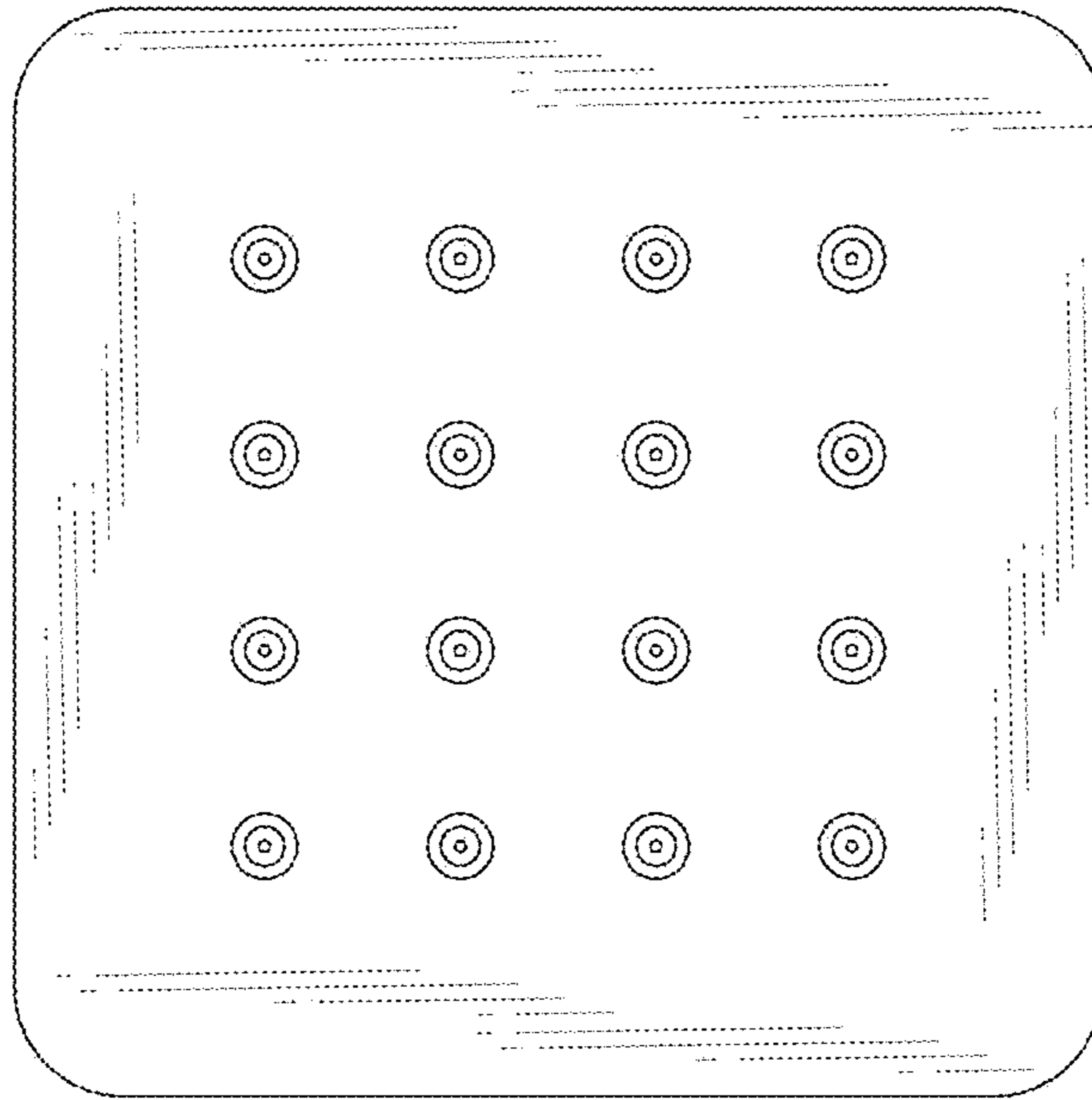


FIG. 7



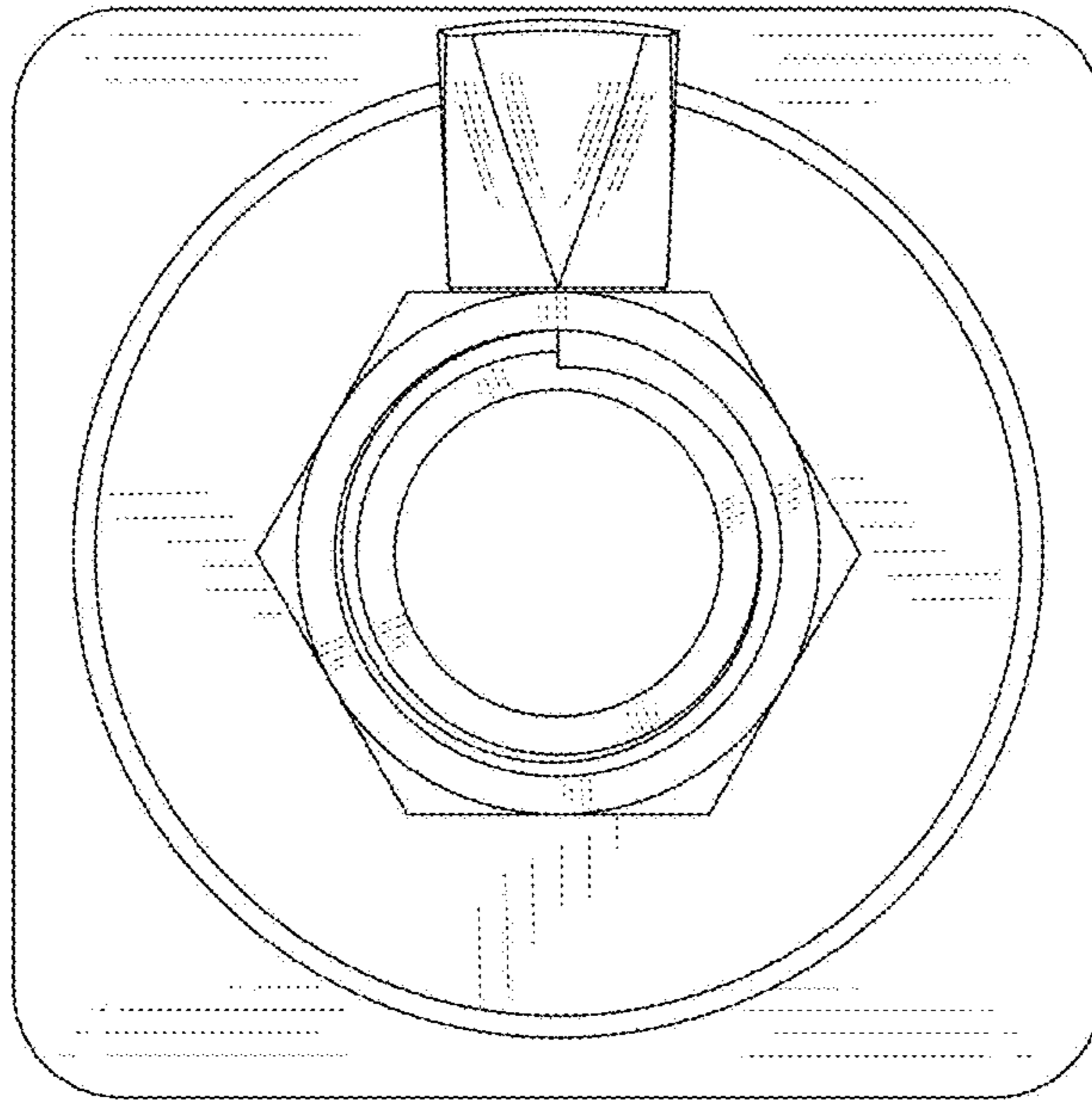


FIG. 8