



US00D984581S

(12) **United States Design Patent** (10) **Patent No.:** **US D984,581 S**
Maibach, Jr. (45) **Date of Patent:** **** Apr. 25, 2023**

(54) **COLD TRAP INSERT**

- (71) Applicant: **Lab Society LLC**, Boulder, CO (US)
- (72) Inventor: **Michael S. Maibach, Jr.**, Frederick, CO (US)
- (73) Assignee: **LAB SOCIETY LLC**, Boulder, CO (US)
- (**) Term: **15 Years**
- (21) Appl. No.: **29/678,299**
- (22) Filed: **Jan. 28, 2019**

Related U.S. Application Data

- (63) Continuation-in-part of application No. 16/188,271, filed on Nov. 12, 2018, now Pat. No. 10,751,638.
- (51) **LOC (14) Cl.** **23-01**
- (52) **U.S. Cl.**
USPC **D23/206**
- (58) **Field of Classification Search**
USPC D24/121, 216, 219, 223-232; D23/207
CPC B01D 3/10; B01D 5/0045; B01D 5/006;
B01D 8/00; F04B 27/16; F04B 37/08
See application file for complete search history.

(56) **References Cited**

U.S. PATENT DOCUMENTS

- D261,413 S * 10/1981 Eddleman D23/209
- 5,132,013 A * 7/1992 Thompson B01D 29/35
210/497.3
- D360,929 S * 8/1995 Albertson D23/209
- D372,295 S * 7/1996 Weber D23/207
- D569,008 S * 5/2008 Lundqvist D24/232
- D660,975 S * 5/2012 Kyle D24/219
- D712,508 S * 9/2014 Du D23/209
- D719,634 S * 12/2014 Reed D23/209
- D722,674 S * 2/2015 Lipkens D23/233
- D835,778 S * 12/2018 Mozzicato D24/176

(Continued)

OTHER PUBLICATIONS

Cold Trap Shop Mechanical Cold Traps Online <https://labsociety.com/lab-equipment/cold-trap/> Feb. 19, 2020, 2 pages.

(Continued)

Primary Examiner — Calvin E Vansant

(57) **CLAIM**

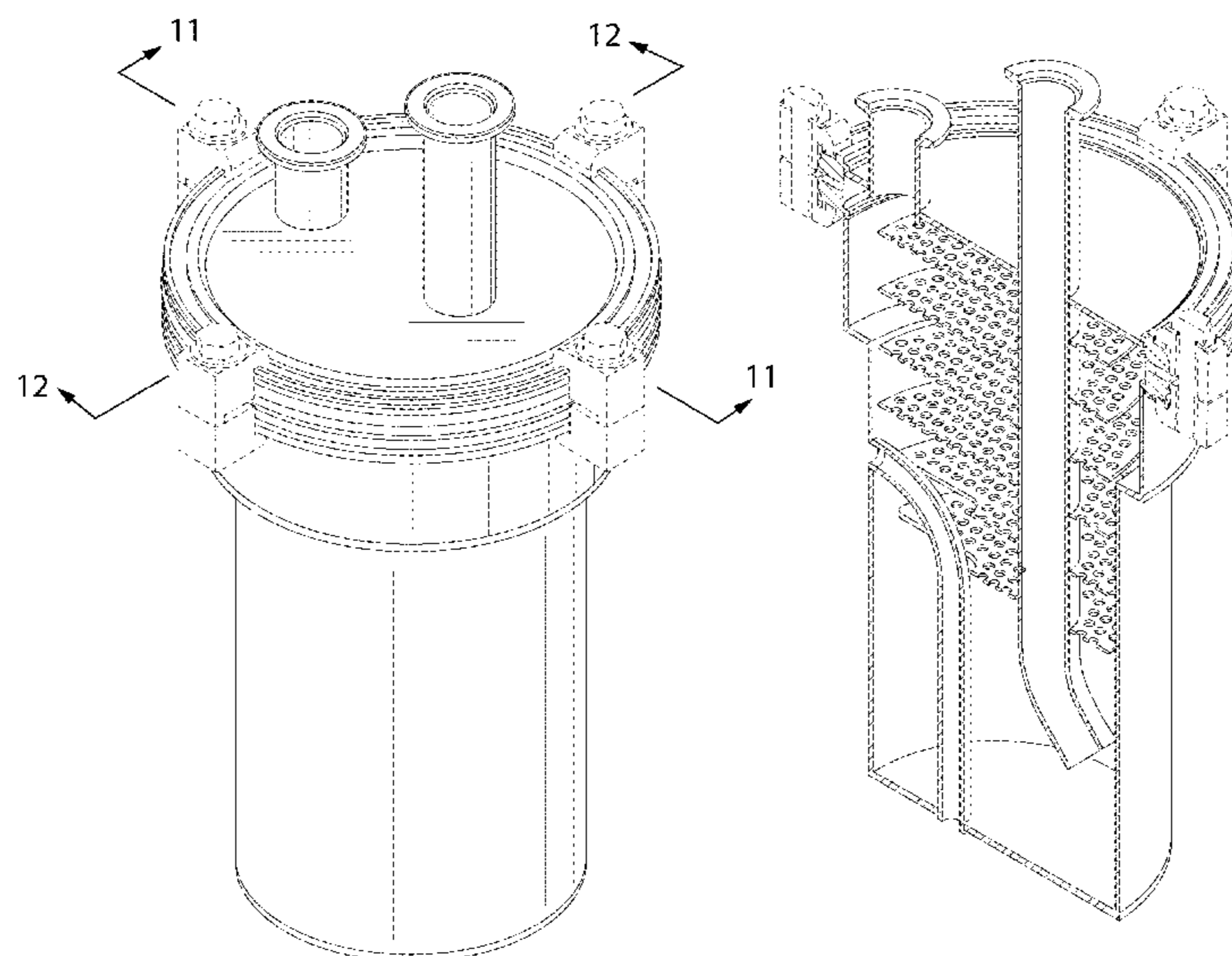
The ornamental design for a cold trap insert, as shown and described.

DESCRIPTION

FIG. 1 is a perspective view of a cold trap insert; FIG. 2 is an alternate perspective view thereof; FIG. 3 is another alternate perspective view thereof; FIG. 4 is a rear elevational view thereof; FIG. 5 is a left side elevational view thereof; FIG. 6 is a front elevational view thereof; FIG. 7 is a right side elevational view thereof; FIG. 8 is a top plan view thereof; FIG. 9 is a bottom plan view thereof; FIG. 10 is a right side cutaway taken along the plane 10-10 noted on FIG. 8; FIG. 11 is a left side cutaway taken along the plane 11-11 noted on FIG. 1; FIG. 12 is a front cutaway taken along the plane 12-12 noted on FIG. 1; FIG. 13 is a top cutaway shown from a perspective view of a cold trap insert; FIG. 14 is a front cutaway taken along the plane 14-14 noted on FIG. 8; and, FIG. 15 is a rear cutaway taken along the plane 15-15 on FIG. 8.

The broken lines shown in the figures represent portions of the cold trap insert that form no part of the claimed design.

1 Claim, 14 Drawing Sheets



(56)

References Cited

U.S. PATENT DOCUMENTS

D835,779 S * 12/2018 Mozzicato D24/176
D837,976 S * 1/2019 Kaye D24/121
D840,534 S * 2/2019 Mozzicato B01D 29/35
D24/176
D900,278 S * 10/2020 Lu B01D 3/02
D23/209
D909,606 S * 2/2021 Maibach, Jr. F04D 25/026
D23/207
2012/0073950 A1 * 3/2012 Kamen F04D 25/026
202/187
2017/0252668 A1 * 9/2017 Adjabeng B01D 3/02

OTHER PUBLICATIONS

Coldwell Vacuum Cold Trap Vessel Fits Maxtrap—Cascade Sci-
ences, <https://cascadesciences.com/shop/cold-traps/coldwell-vacuum-cold-trap/> Feb. 19, 2020, 3 pages.

* cited by examiner

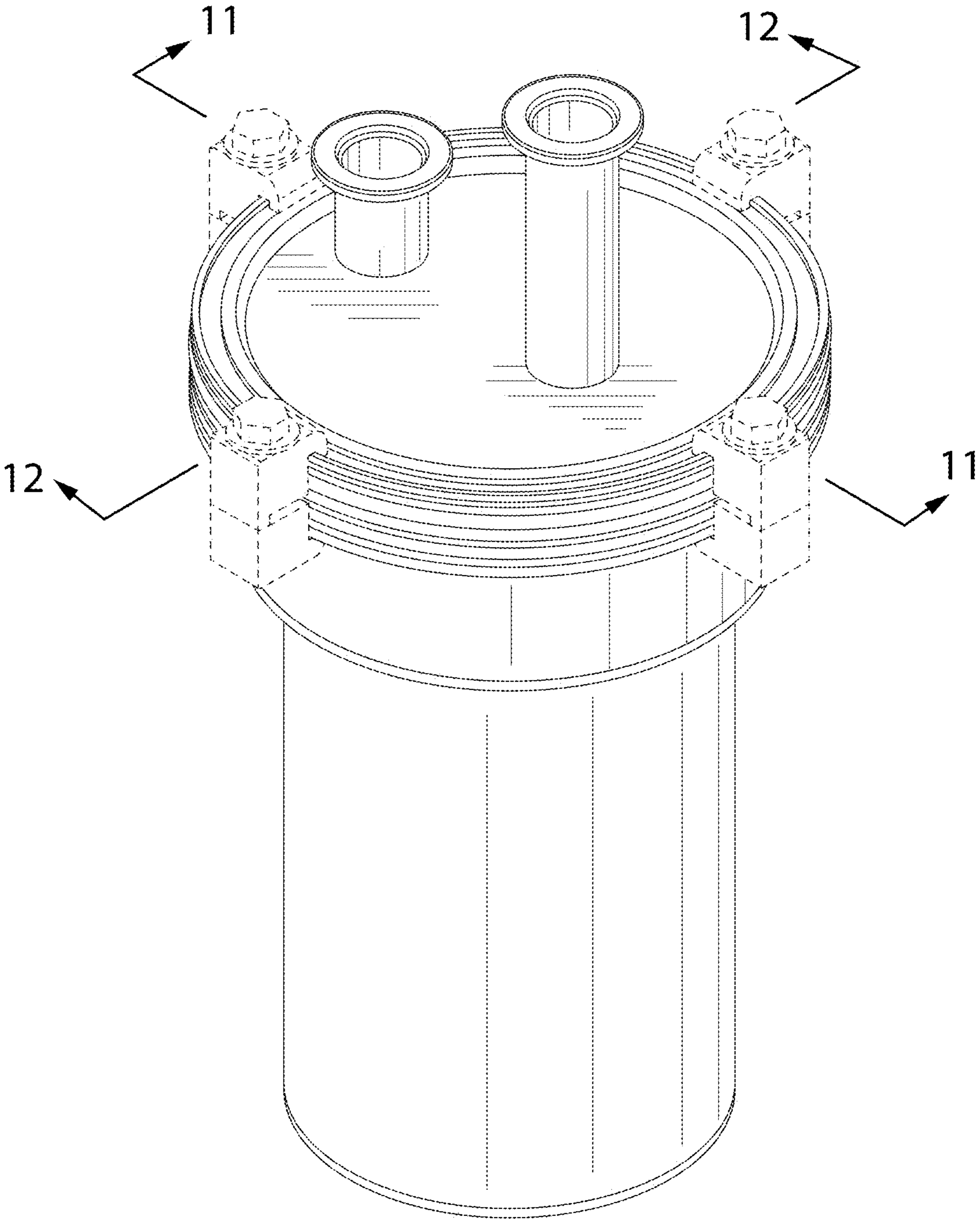


Fig. 1

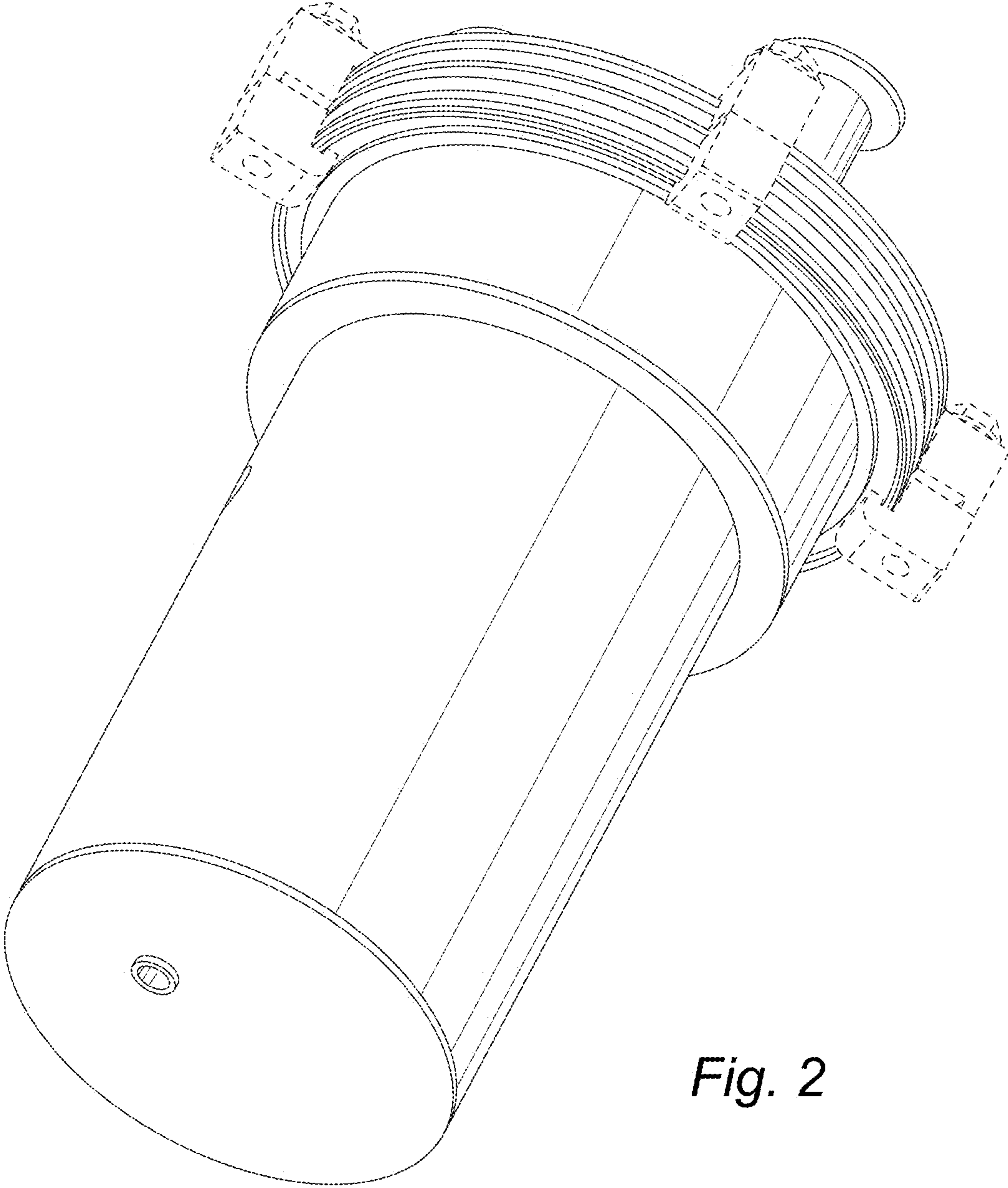


Fig. 2

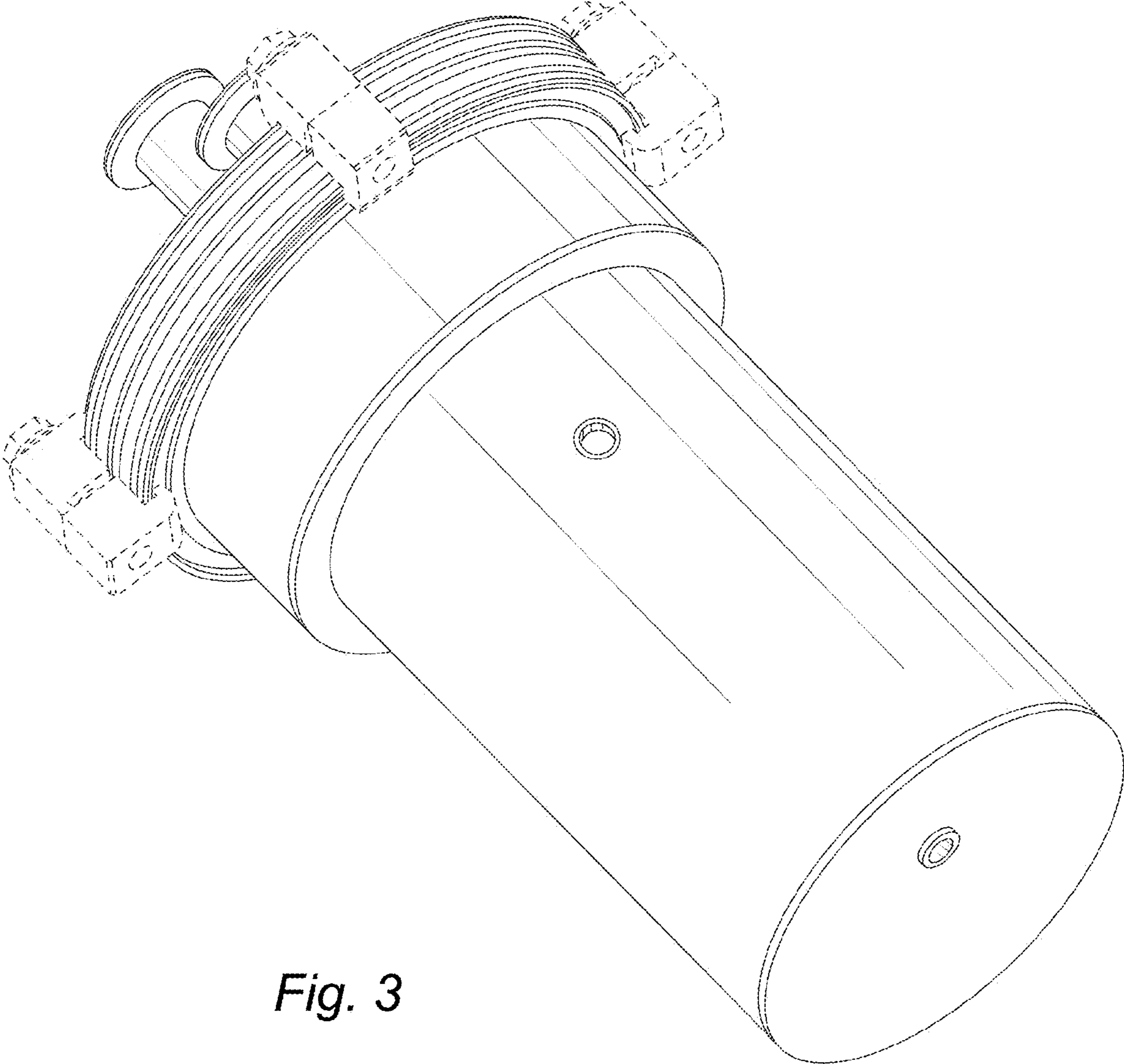


Fig. 3

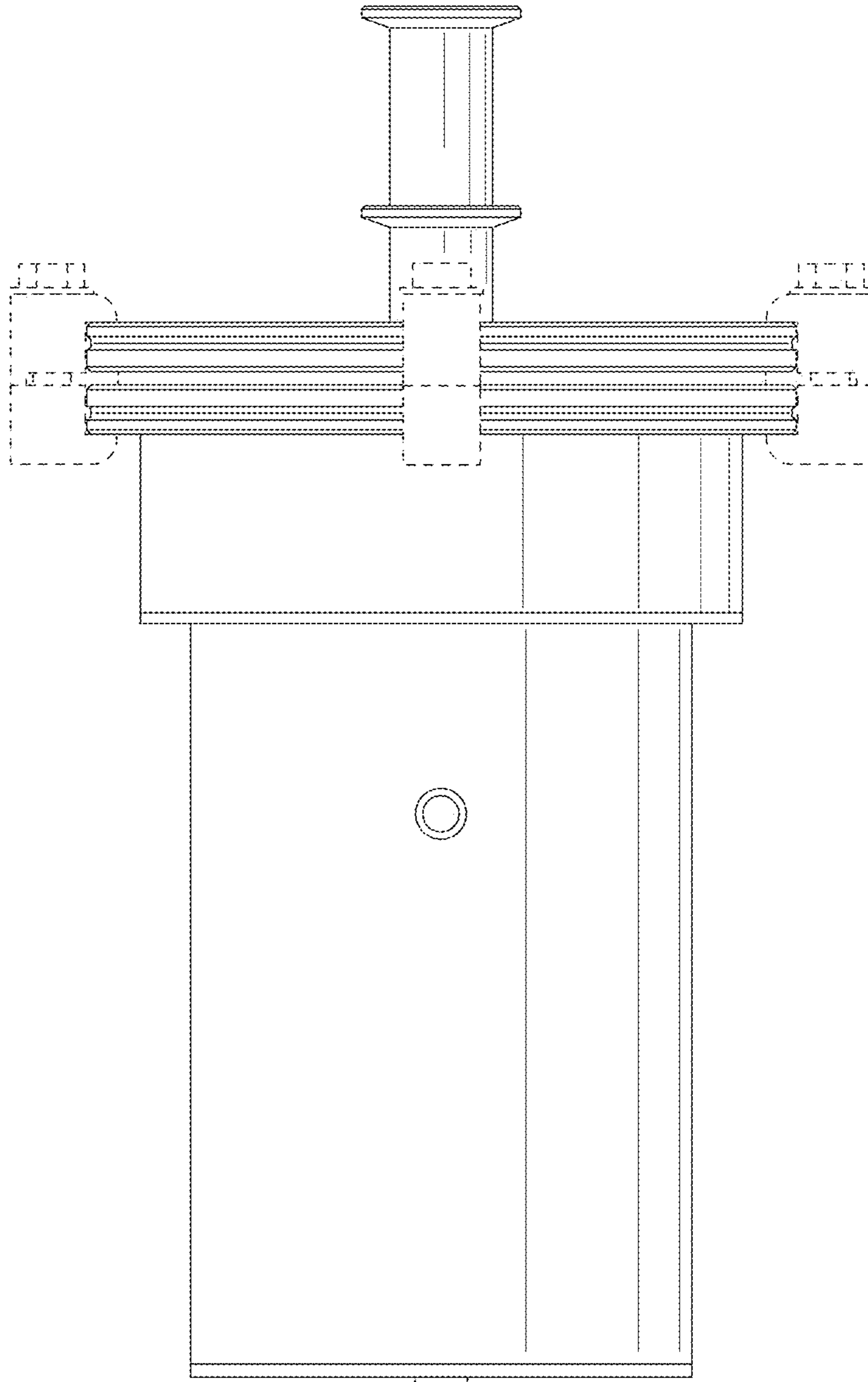


Fig. 4

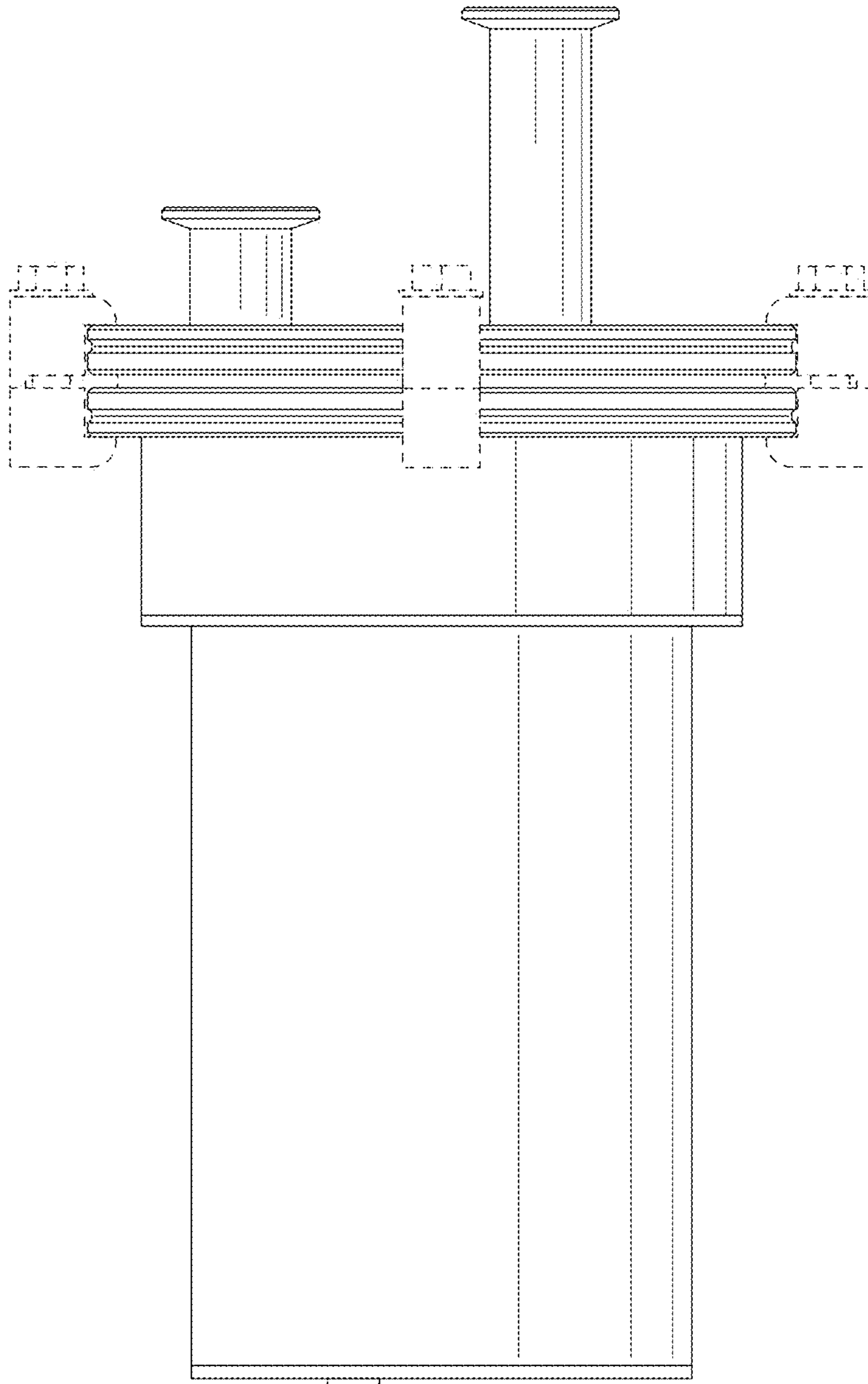


Fig. 5

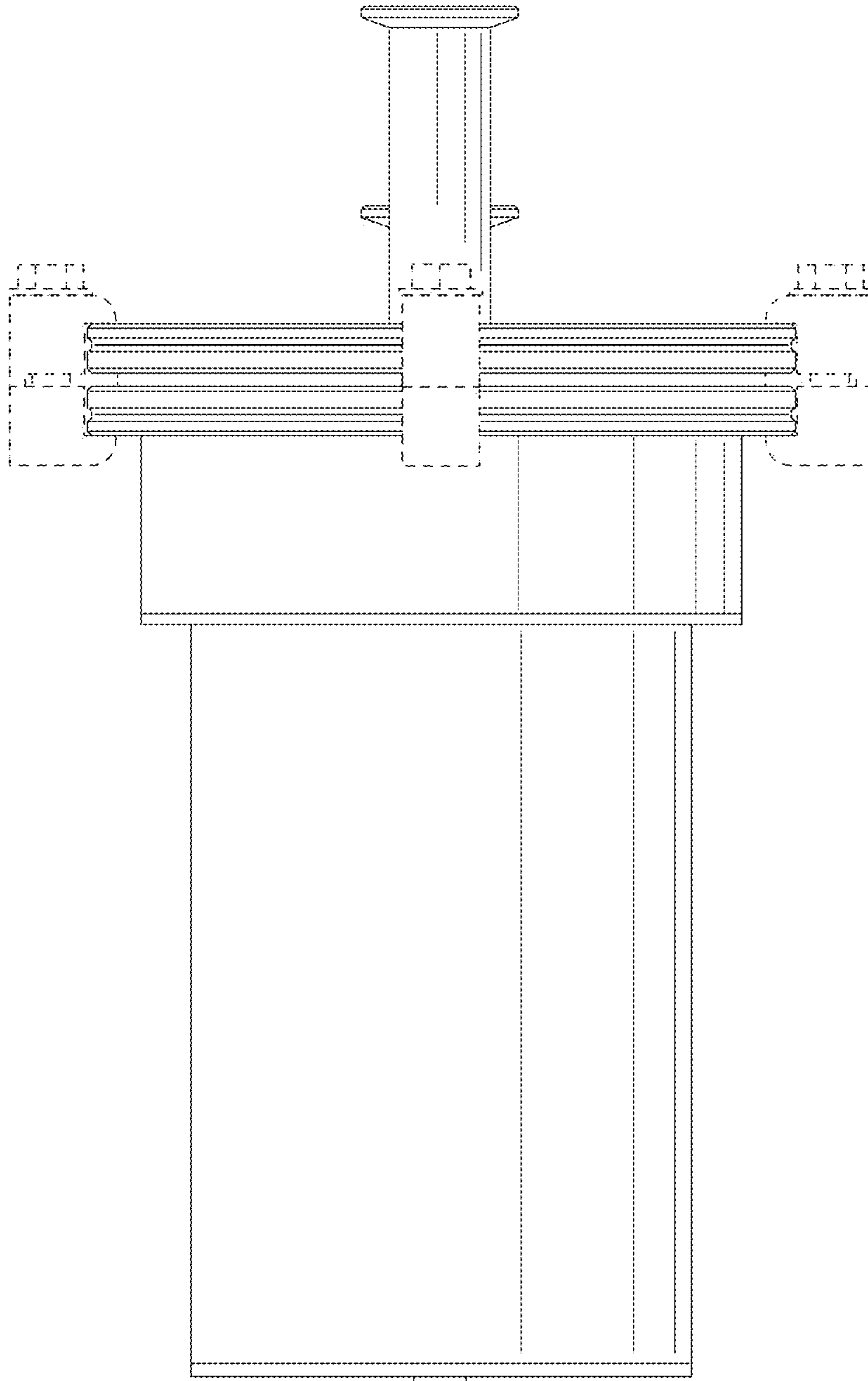


Fig. 6

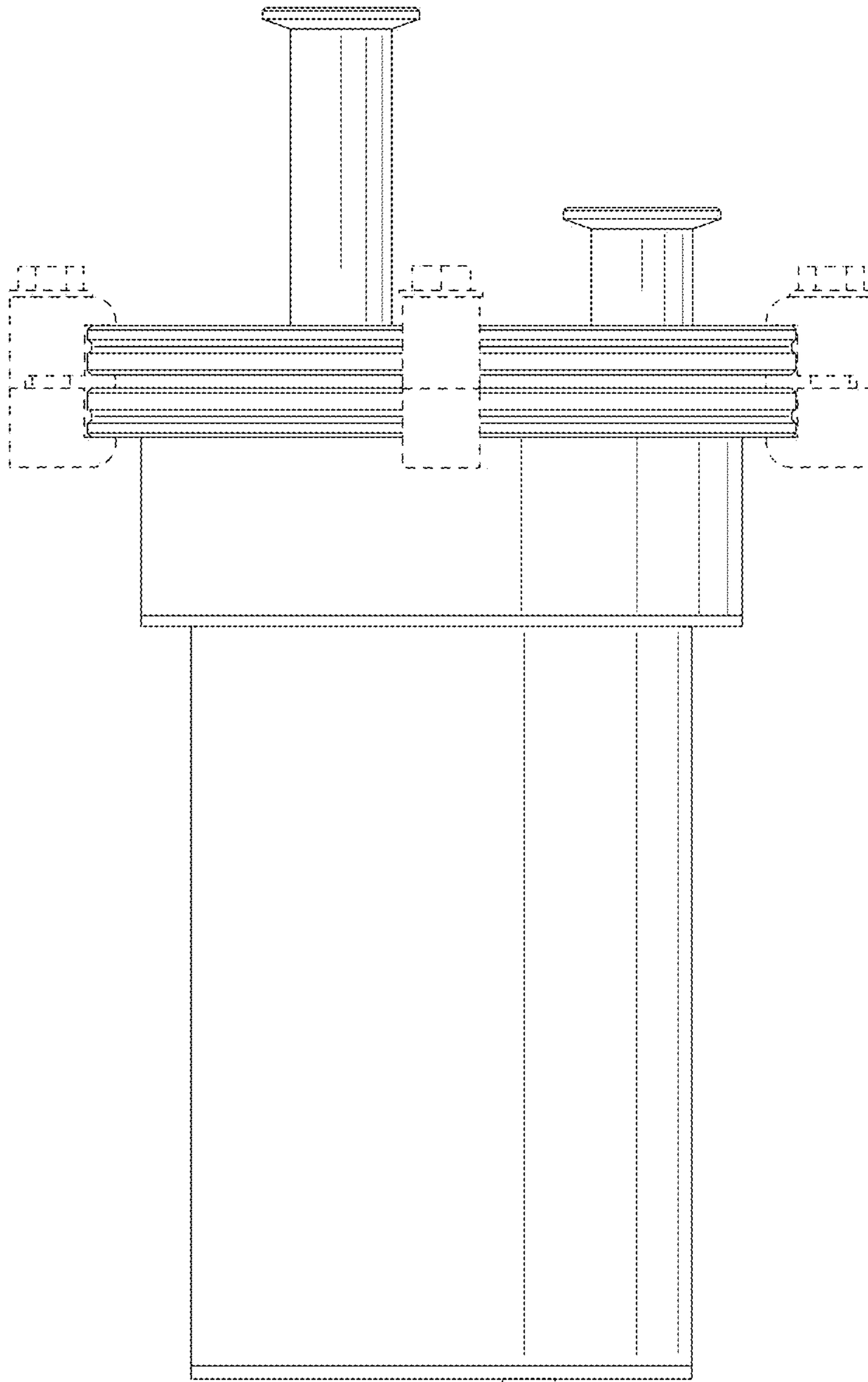


Fig. 7

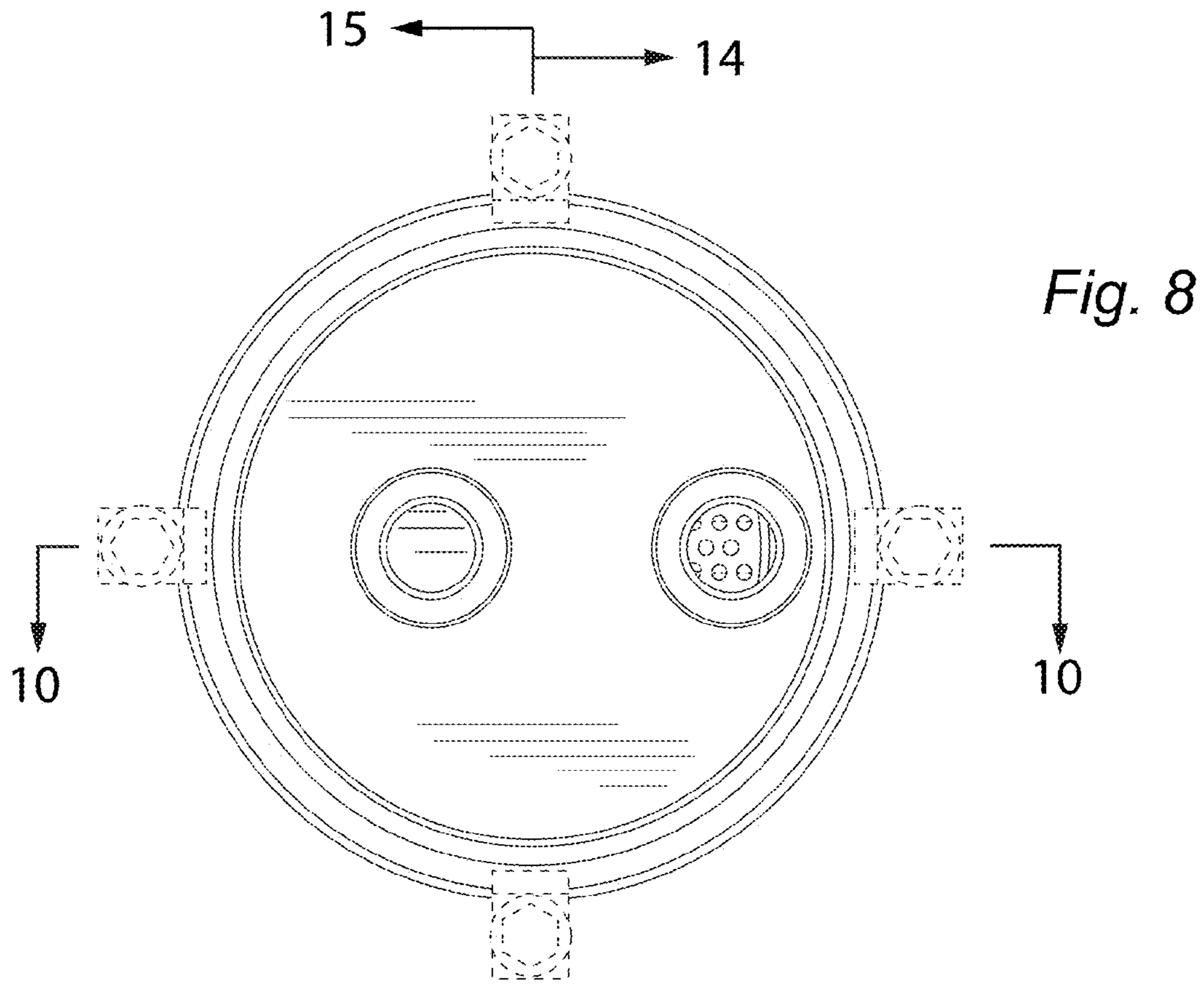


Fig. 8

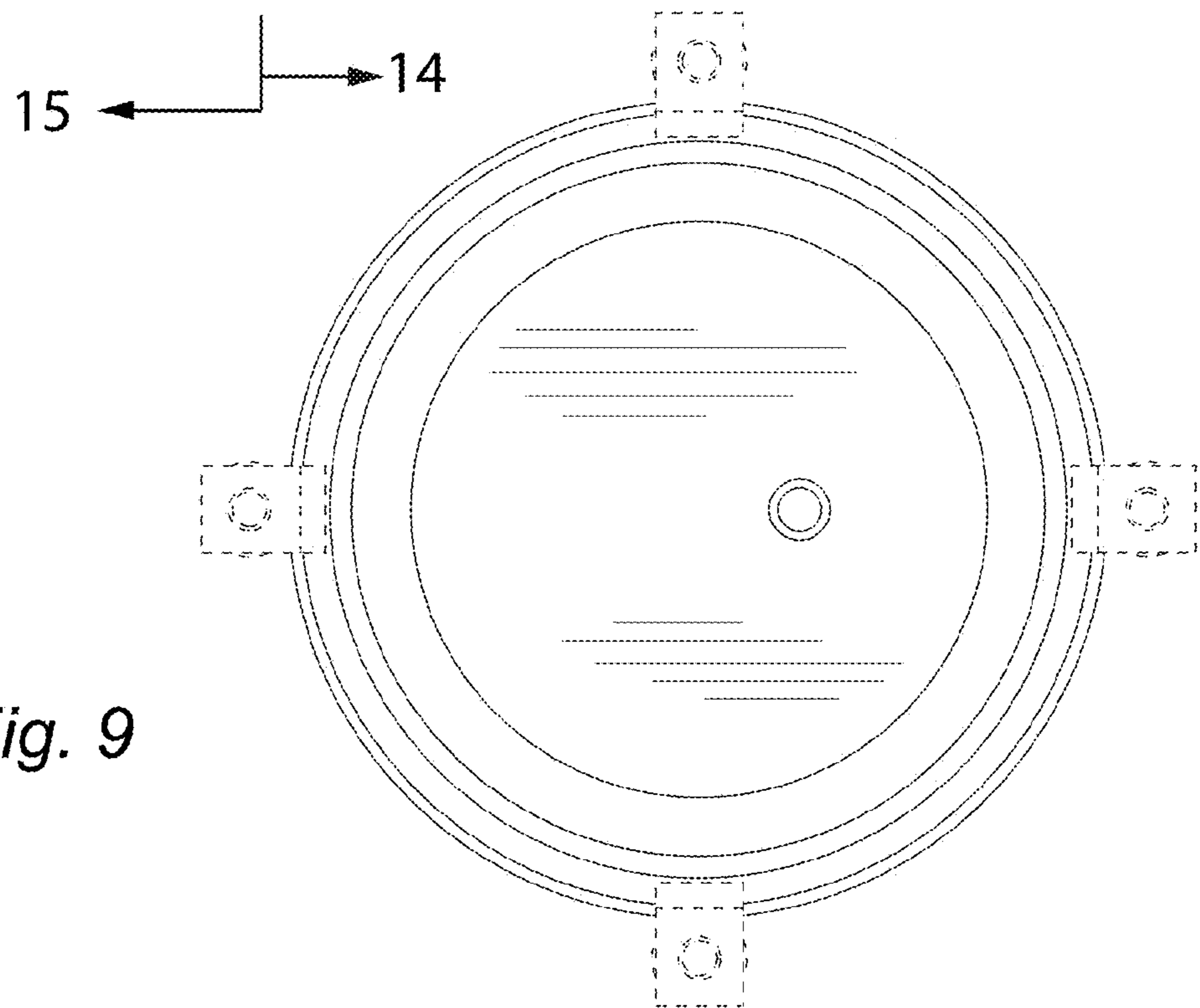


Fig. 9

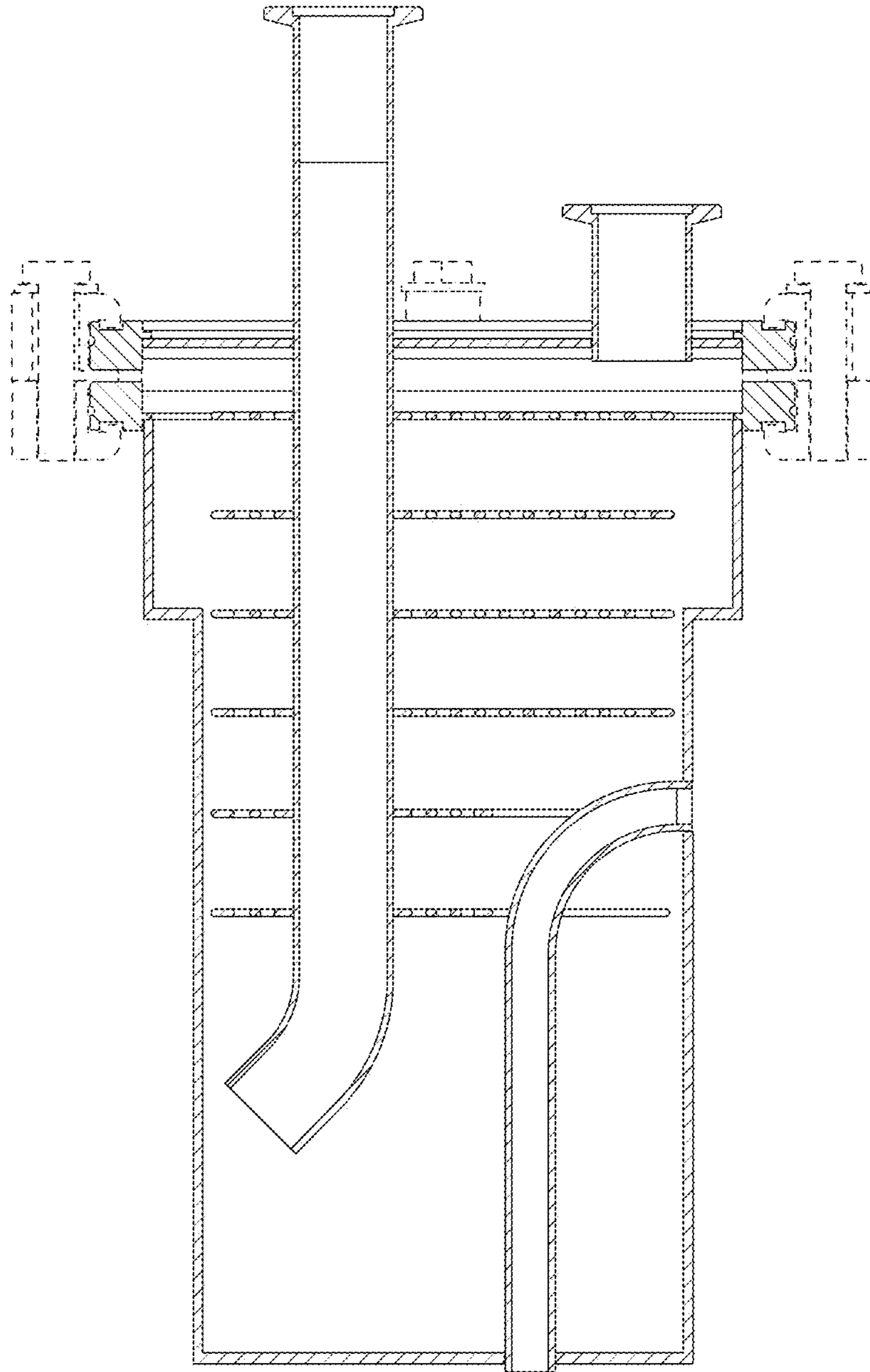


Fig. 10

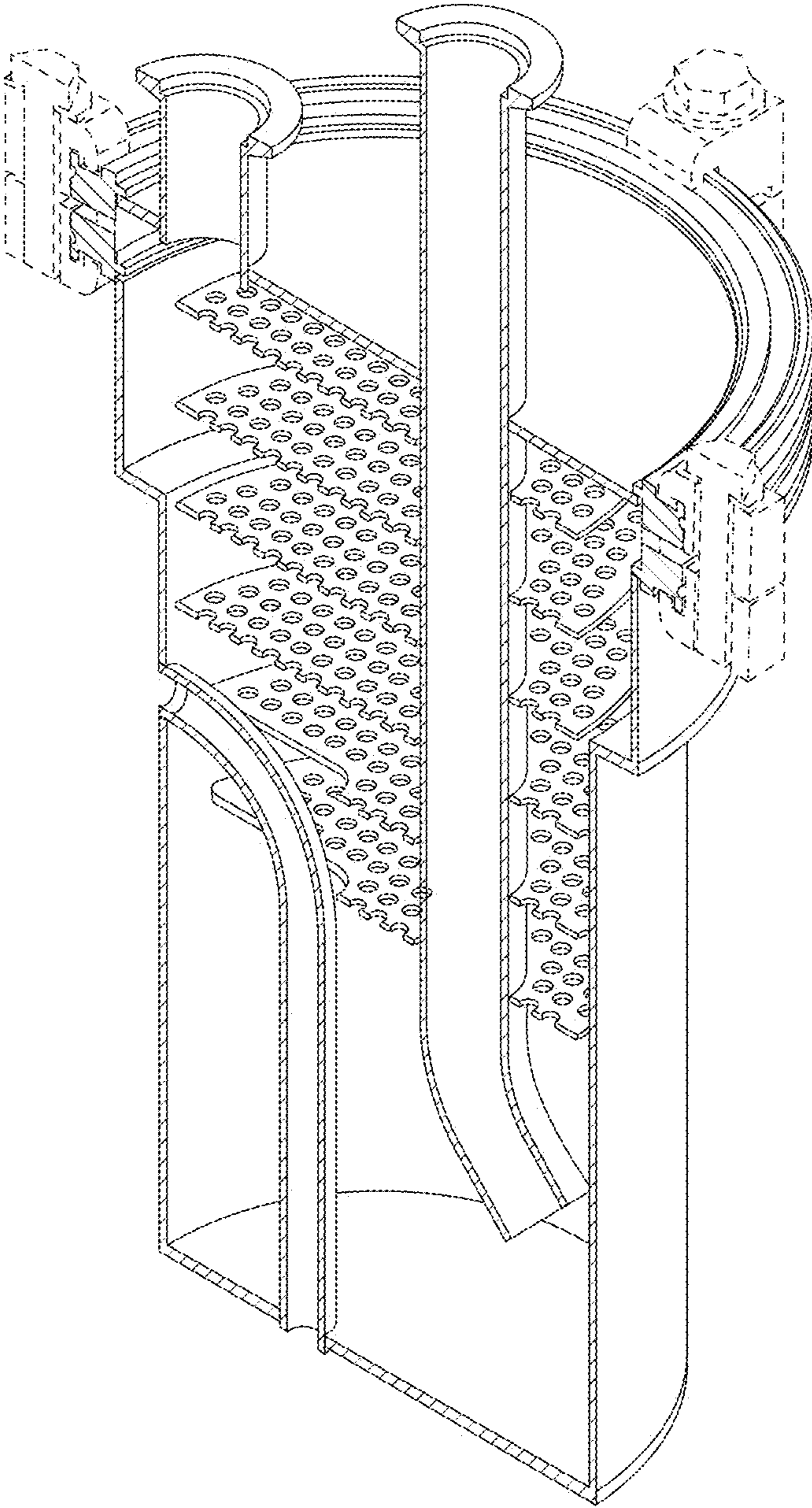


Fig. 11

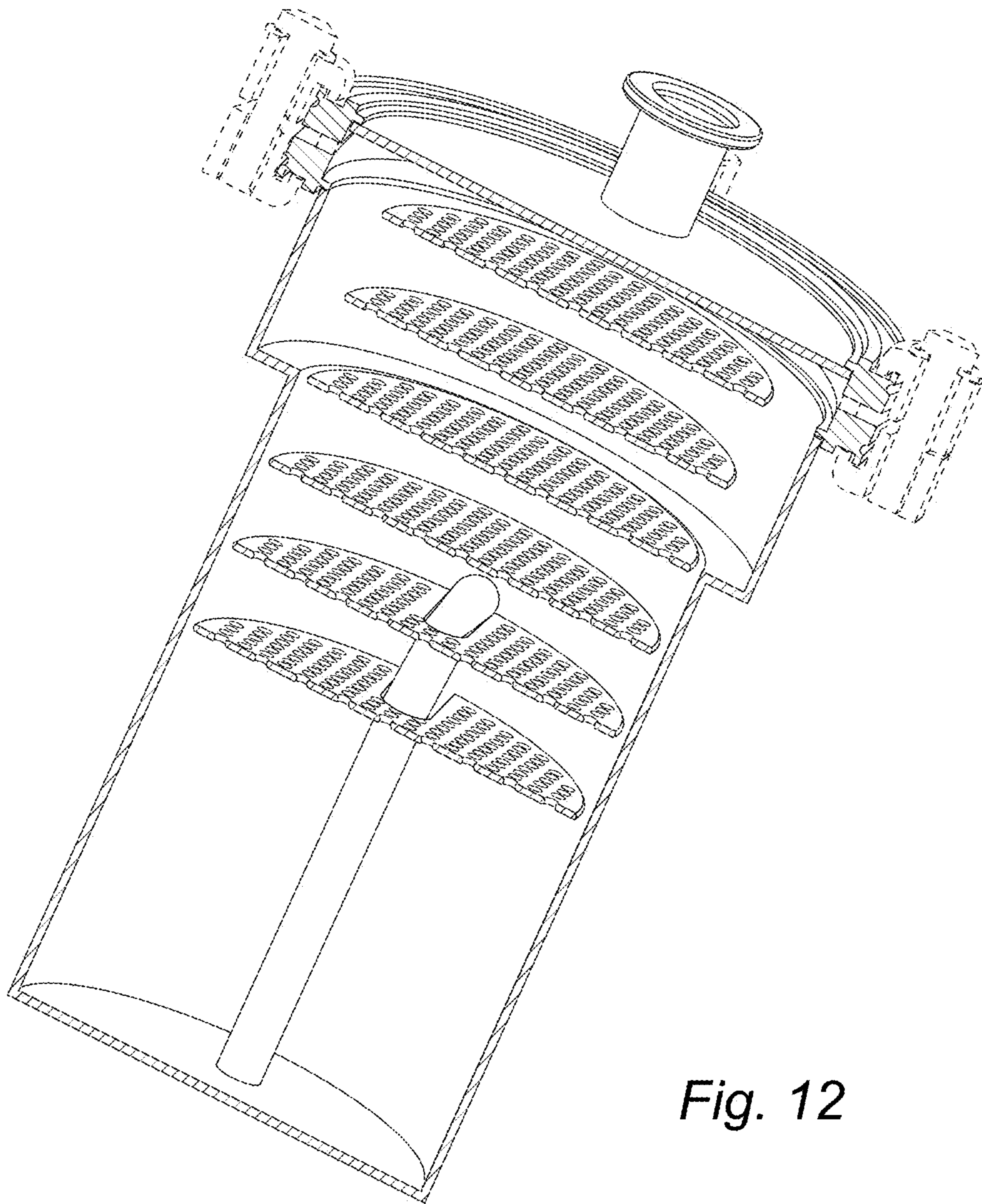


Fig. 12

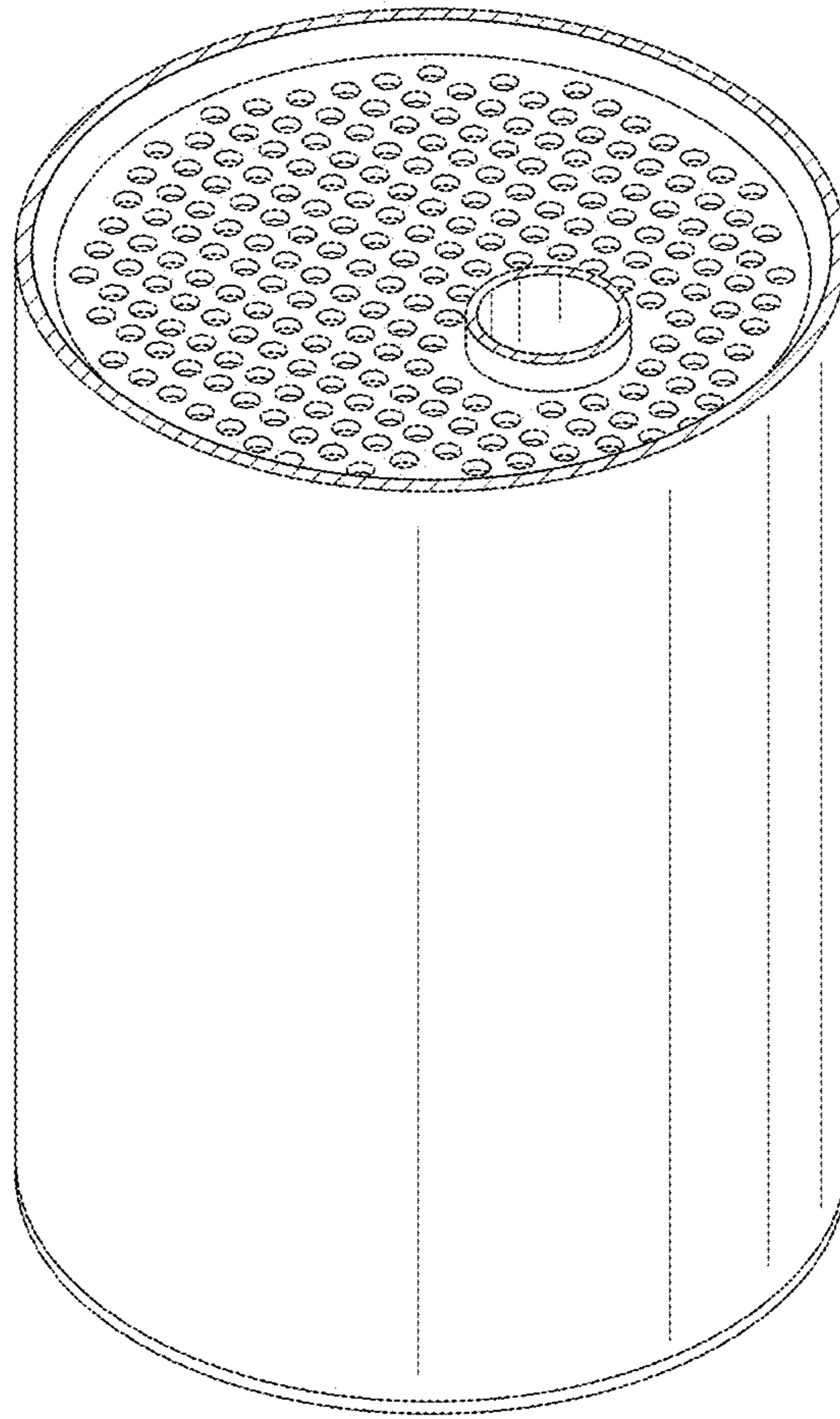


Fig. 13

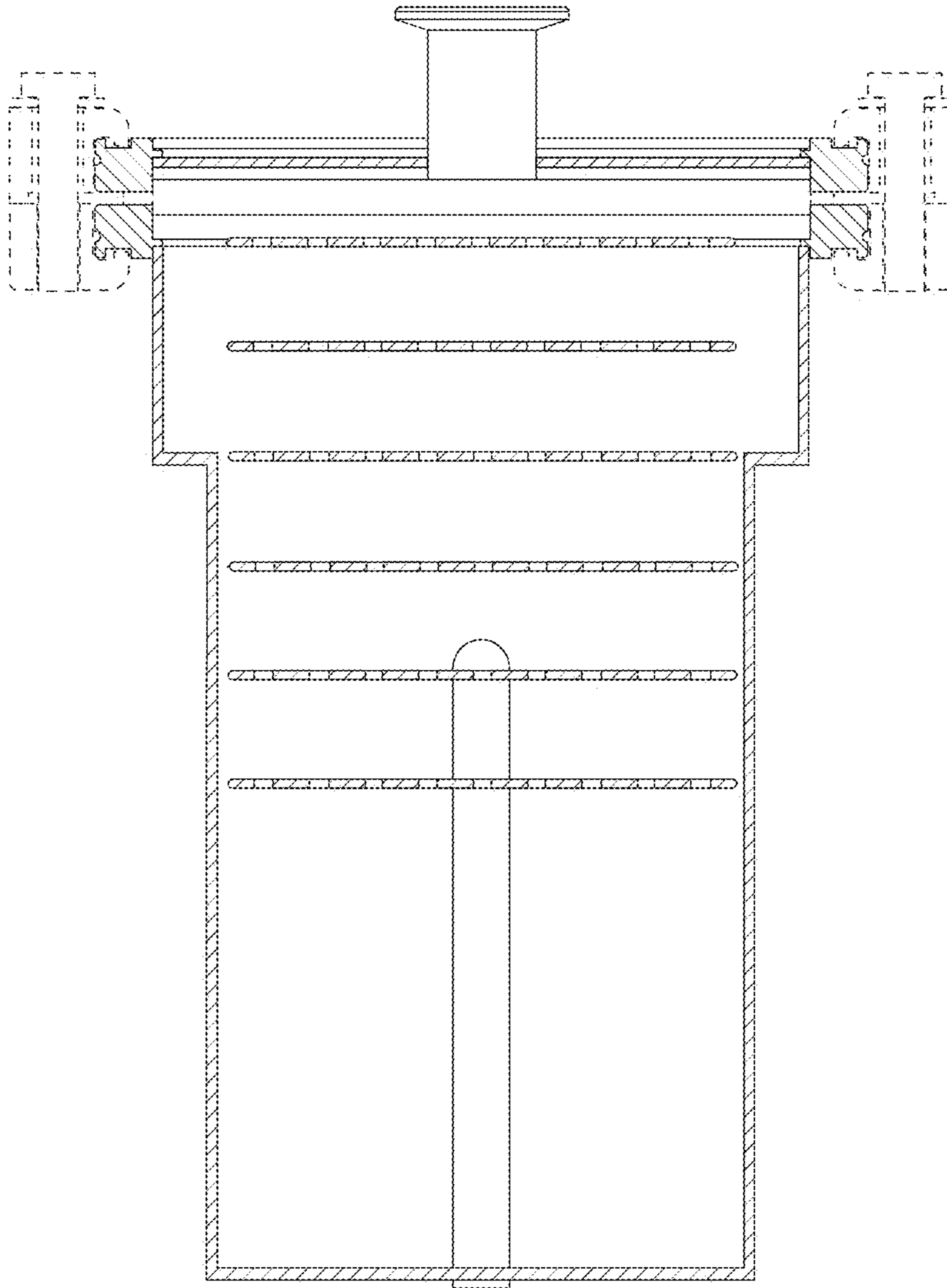


Fig. 14

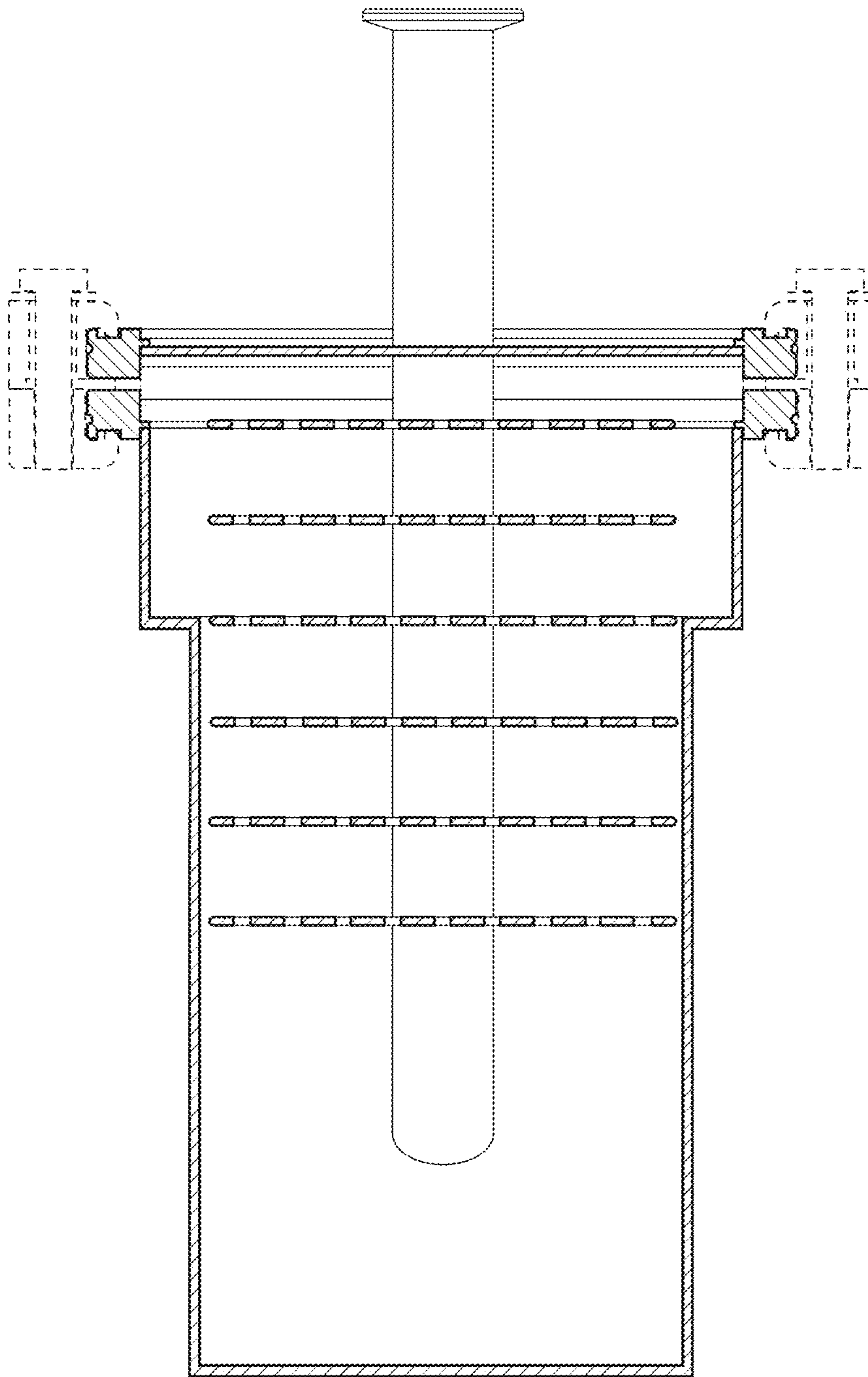


Fig. 15