



US00D984579S

(12) **United States Design Patent** (10) **Patent No.:** **US D984,579 S**
Liu (45) **Date of Patent:** **** Apr. 25, 2023**

(54) **MOSQUITO KILLER LAMP**
(71) Applicant: **Shenzhen Weiborui Technology Co., Ltd., Shenzhen (CN)**
(72) Inventor: **Gang Liu, Shenzhen (CN)**
(73) Assignee: **Shenzhen Weiborui Technology Co., Ltd., Shenzhen (CN)**
(**) Term: **15 Years**
(21) Appl. No.: **29/812,517**
(22) Filed: **Oct. 21, 2021**
(51) **LOC (14) Cl.** **22-06**
(52) **U.S. Cl.**
USPC **D22/123**
(58) **Field of Classification Search**
USPC D22/122-123; 43/107, 112-113
CPC A01M 1/02; A01M 1/023; A01M 1/106;
A01M 1/233; A01M 1/2016; A01M
23/00; A01M 29/12; A01M 31/002;
A01M 2200/012
See application file for complete search history.

D970,680 S * 11/2022 Li D22/123
D970,681 S * 11/2022 Hu D22/123
D976,359 S * 1/2023 Liao D22/123
2021/0120802 A1 * 4/2021 He A01M 1/04

OTHER PUBLICATIONS

https://www.amazon.com/Electric-Mosquito-Waterproof-Light-Emitting-Backyard/dp/B0B1Q9LTJB/ref=sr_1_1?crid=1S06K2PVQ43T5&keywords=bug+zapper+2000V+high+powered+uv+light+electric+mosquito+zapper+waterproof&qid=1674520092&sprefix=bug+zapper+2000v+high+powered+uv+light+electric+m osquito+zapper+waterproof%2Caps%2C94&sr=8-1 (Year: 2022).*

* cited by examiner

Primary Examiner — Catherine R Oliver-Garcia
(74) *Attorney, Agent, or Firm* — True Shepherd, LLC;
Andrew Cheng

(57) **CLAIM**

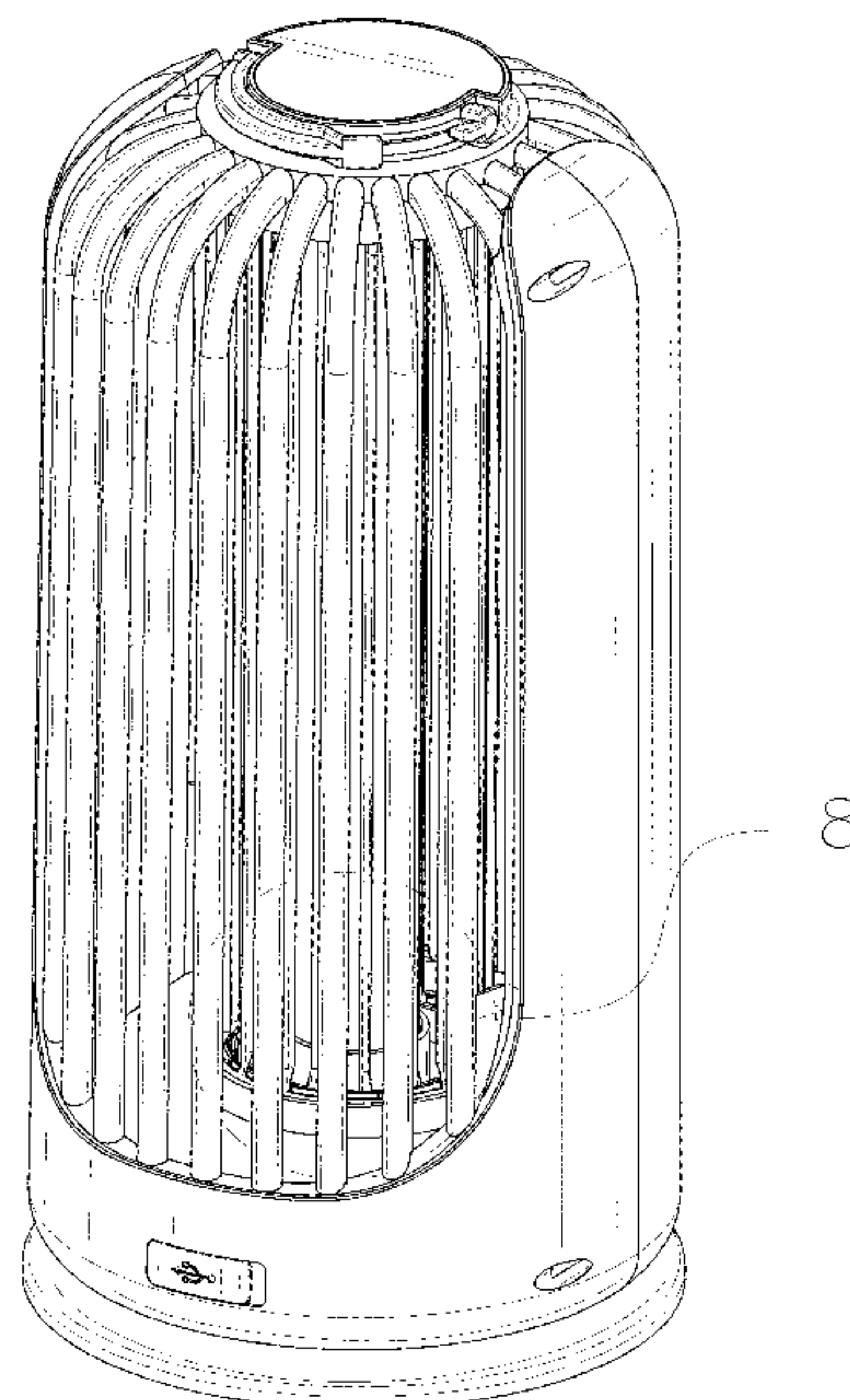
The ornamental design for a mosquito killer lamp, as shown and described.

DESCRIPTION

FIG. 1 is a front, right and top perspective view of mosquito killer lamp, showing my design.
FIG. 2 is a front elevation view thereof.
FIG. 3 is a rear elevation view thereof.
FIG. 4 is a right side elevation view thereof.
FIG. 5 is a left side elevation view thereof.
FIG. 6 is a bottom plan view thereof.
FIG. 7 is a top plan view thereof; and,
FIG. 8 is a partial enlarged view of an area labeled 8 in FIG. 1 comprising a barrier.
The dot-dash boundary lines in FIGS. 1 and 8 demarcate portion of the article annotated for enlargement purpose.

1 Claim, 8 Drawing Sheets

(56) **References Cited**
U.S. PATENT DOCUMENTS
6,568,124 B1 * 5/2003 Wilbanks A01M 1/223
43/112
6,618,984 B1 * 9/2003 Li A01M 1/223
43/107
D868,932 S * 12/2019 Zhu D22/123
D906,474 S * 12/2020 Feng D22/123
D917,008 S * 4/2021 Qiu D22/123
D917,655 S * 4/2021 Luo D22/123
D928,274 S * 8/2021 Shang D22/123
D931,973 S * 9/2021 Lu D22/123
D949,281 S * 4/2022 Peng D22/123
D960,283 S * 8/2022 Liao D22/123
D969,267 S * 11/2022 Su D22/123



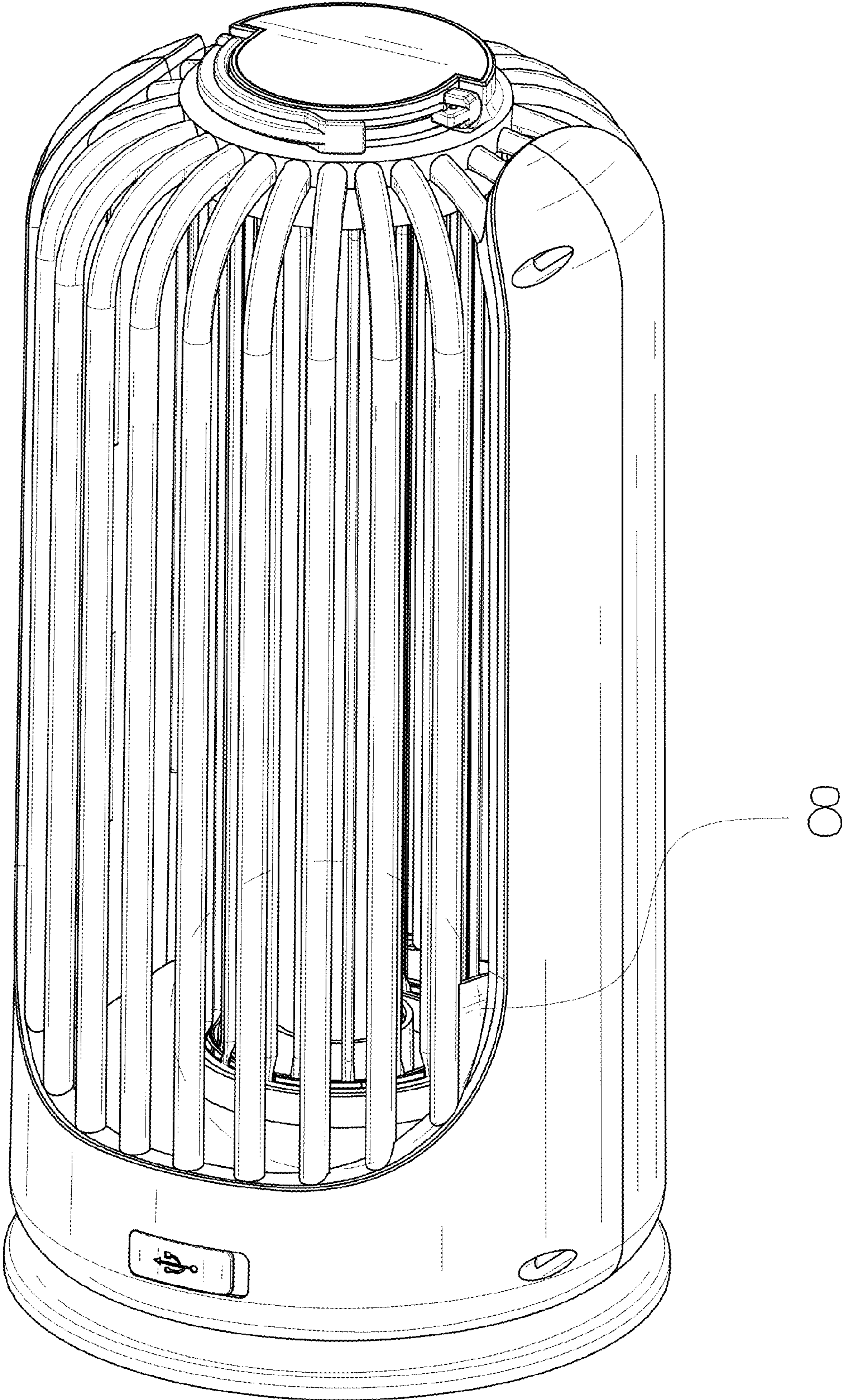


FIG. 1

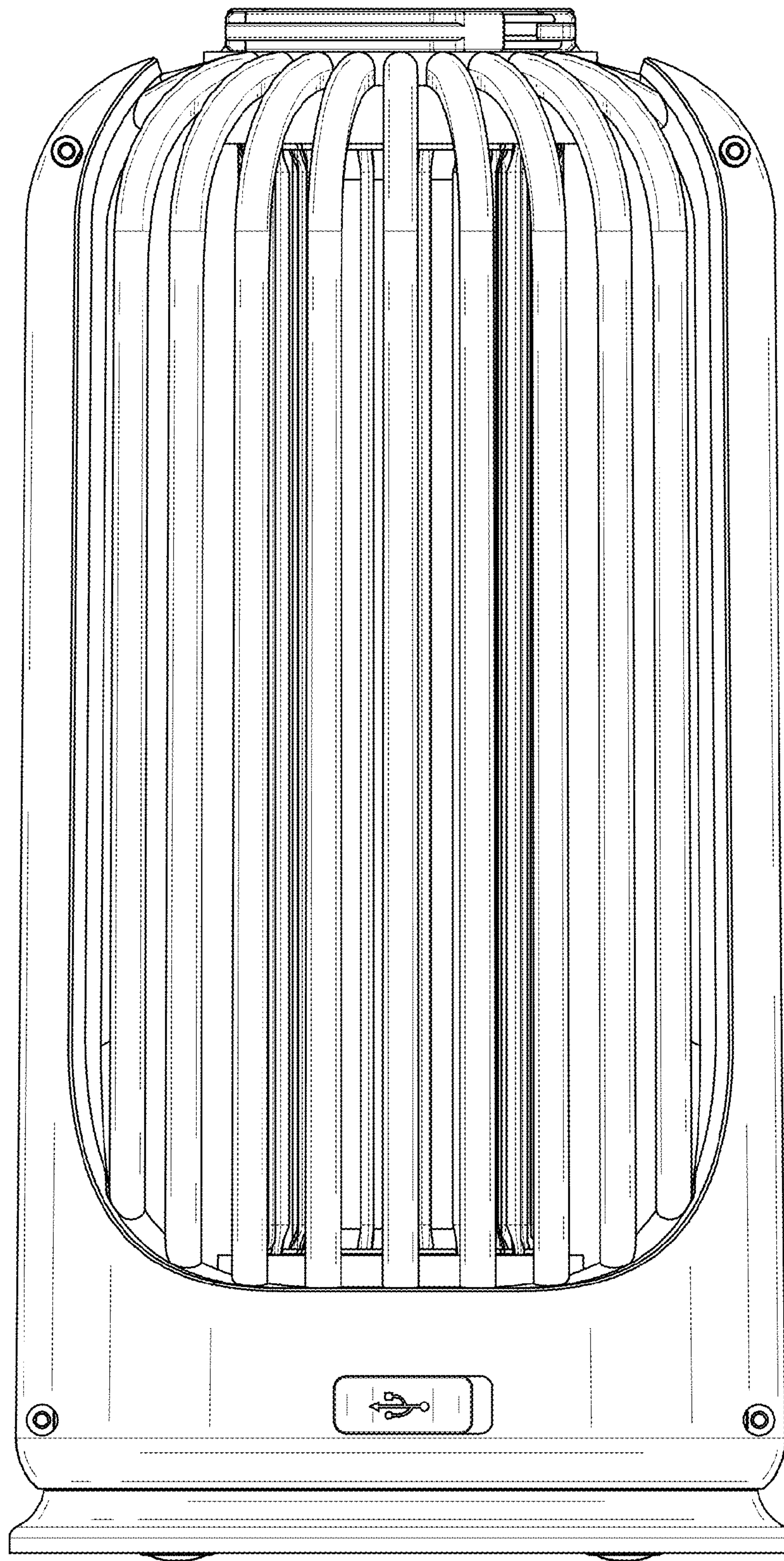


FIG. 2

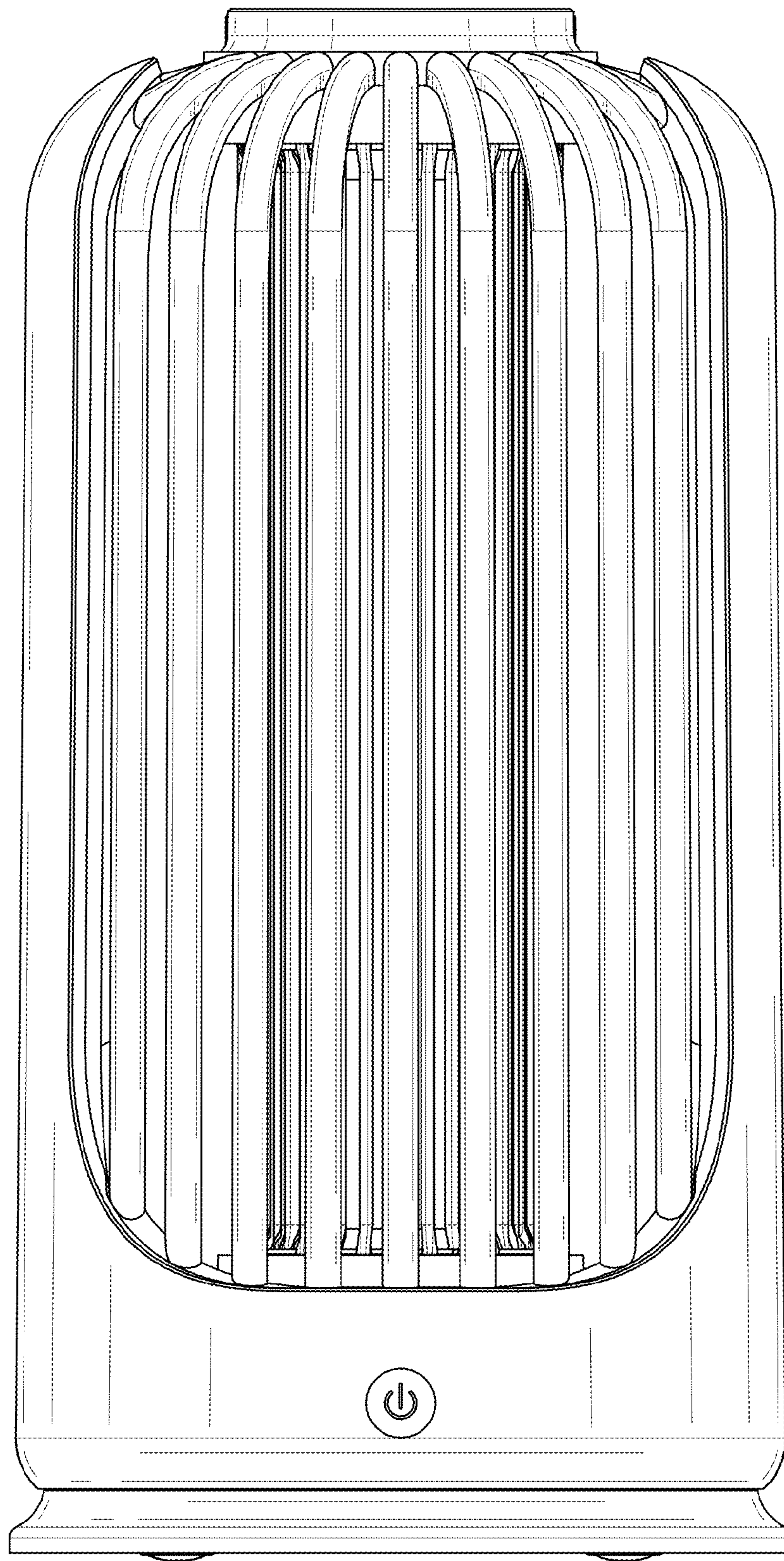


FIG. 3

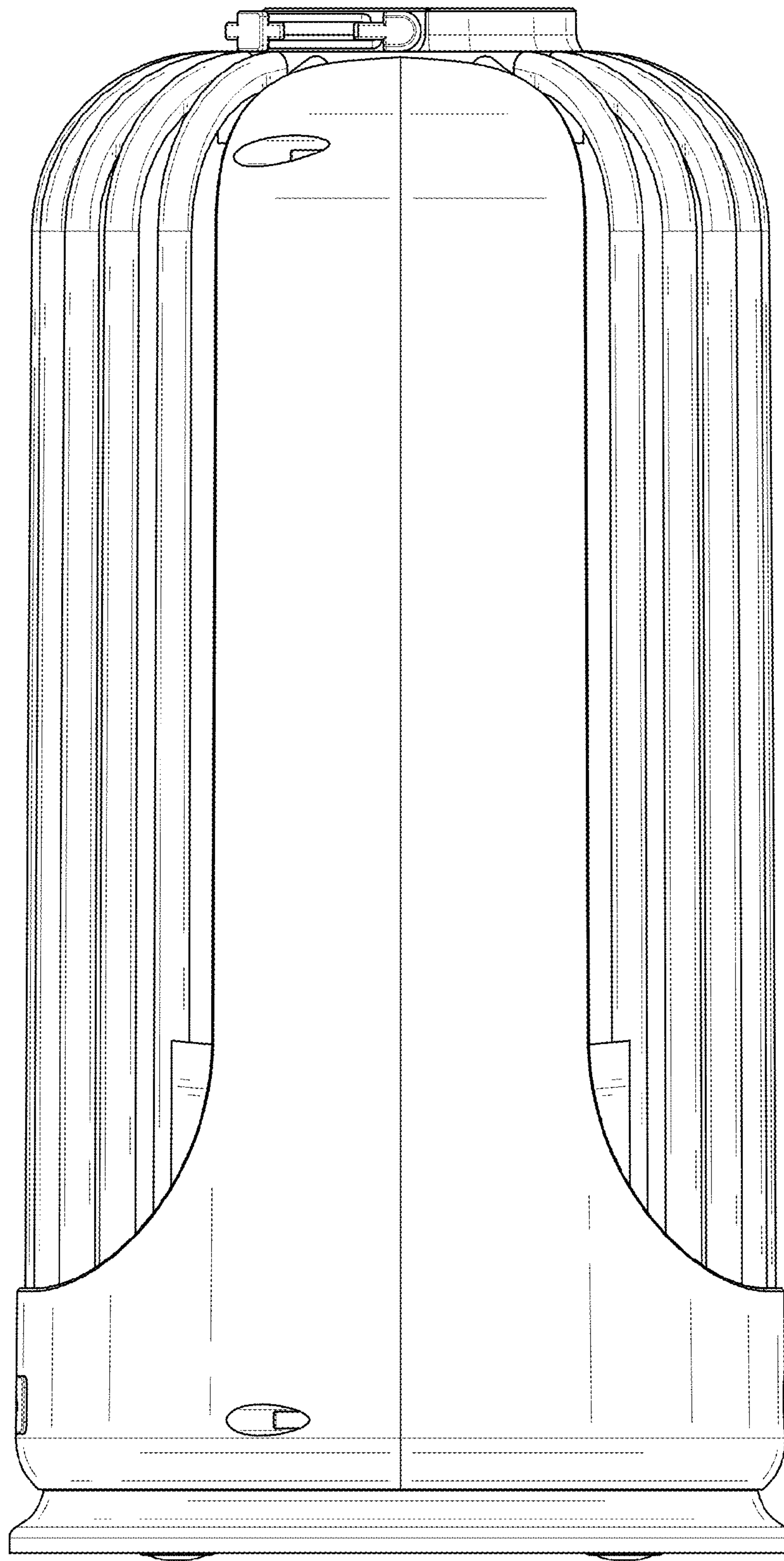


FIG. 4

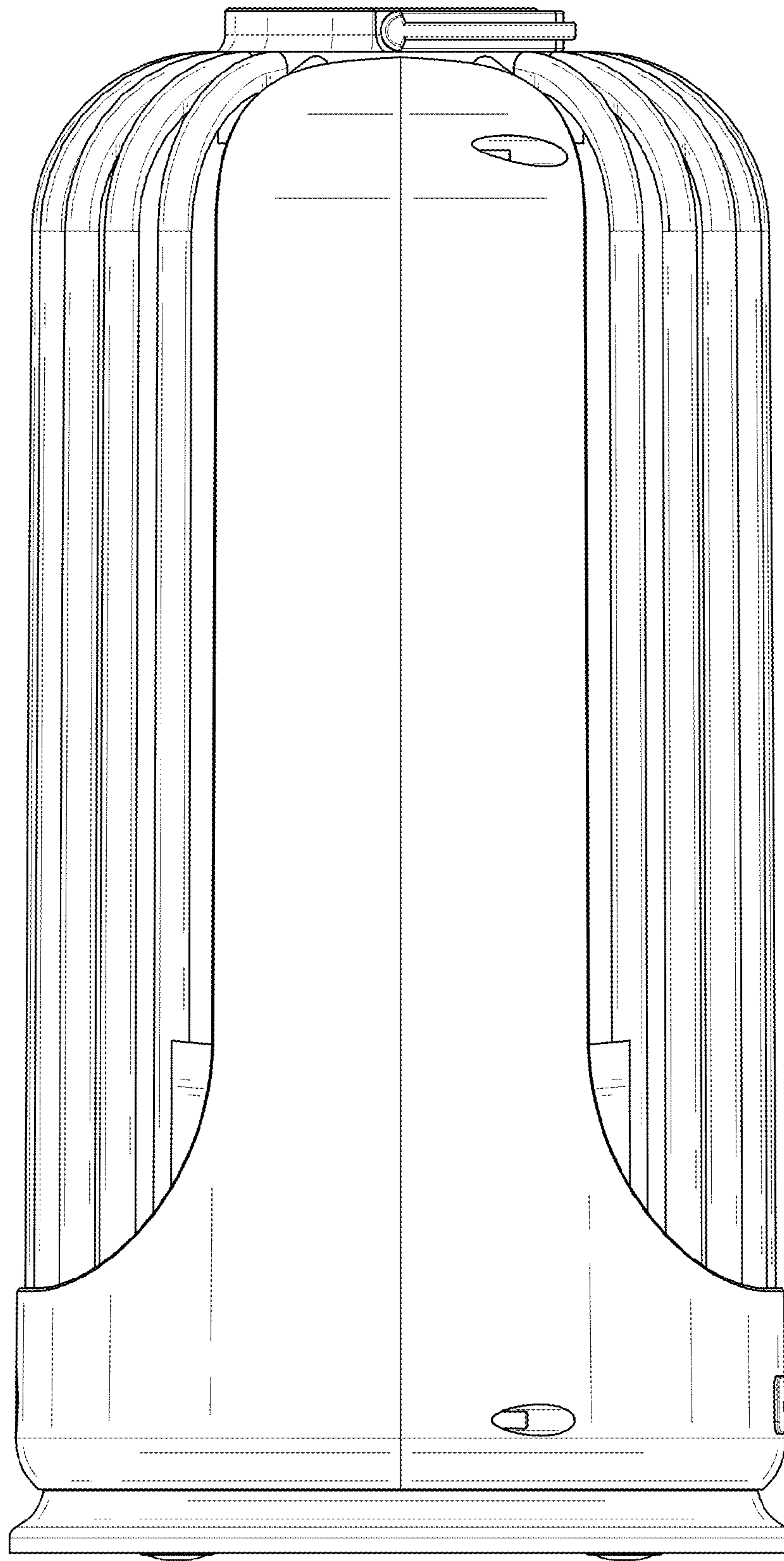


FIG. 5

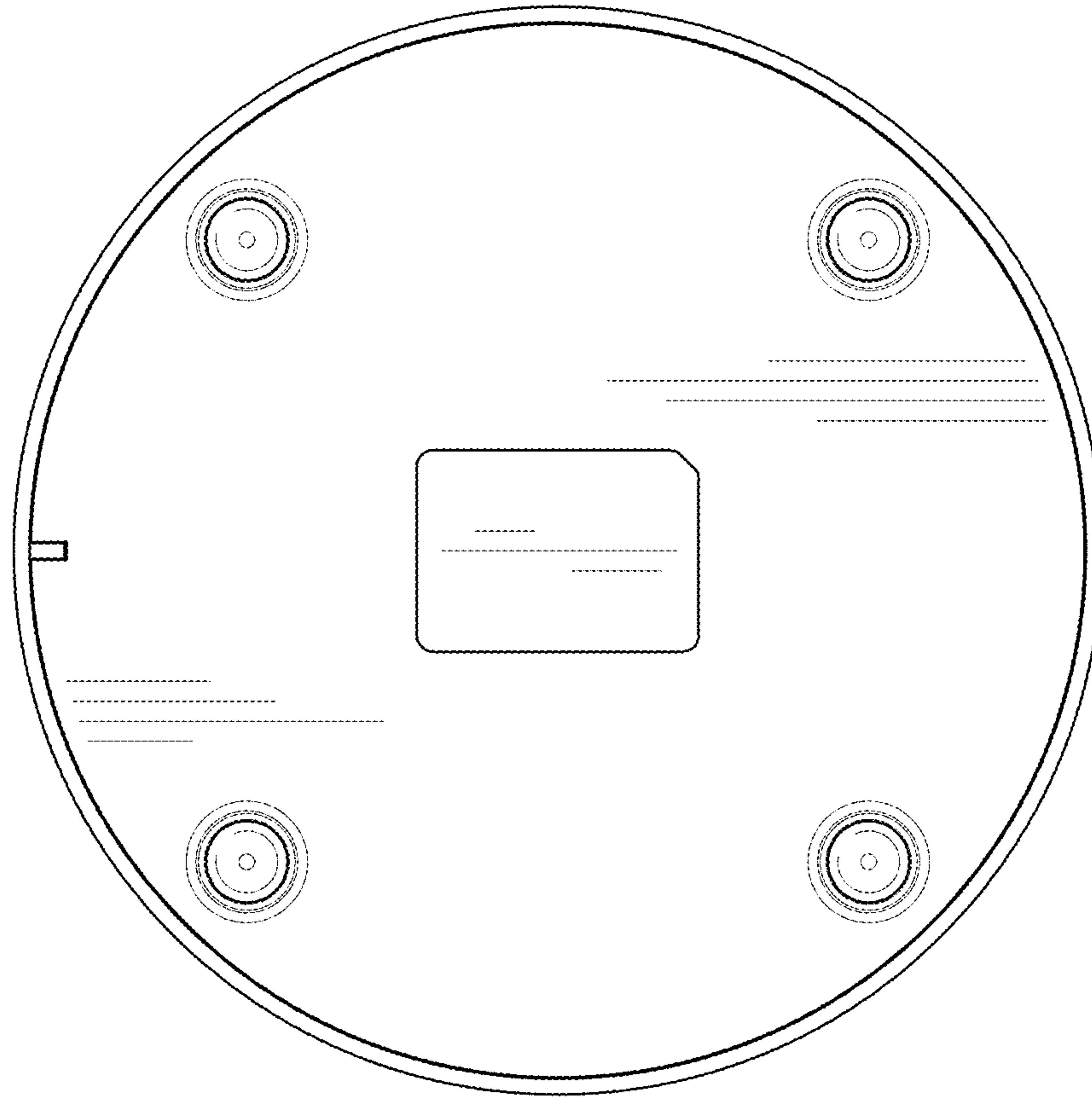


FIG. 6

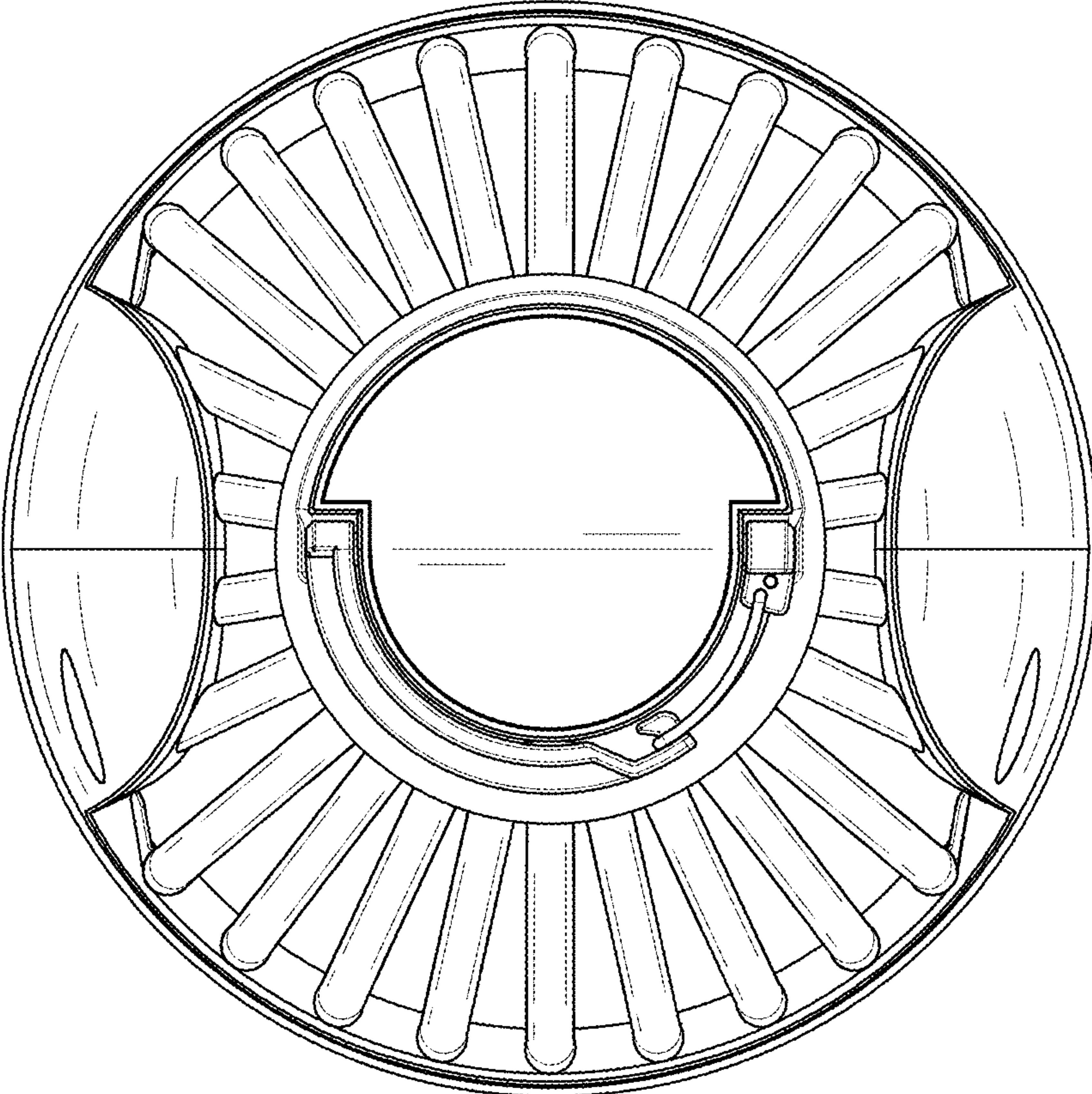


FIG. 7

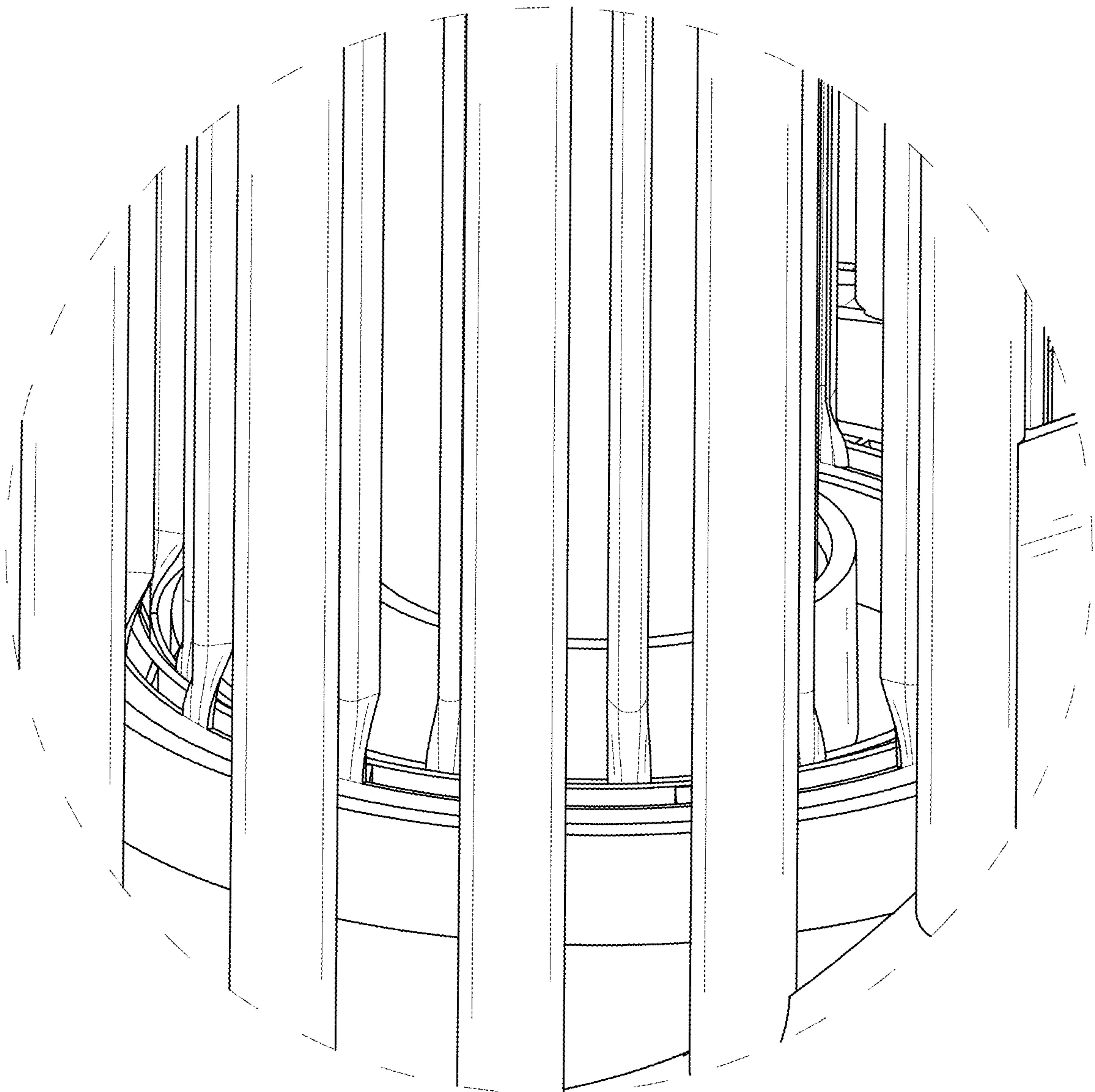


FIG. 8