



US00D984577S

(12) **United States Design Patent**
Liu

(10) **Patent No.:** **US D984,577 S**
(45) **Date of Patent:** **** Apr. 25, 2023**

(54) **FLASHLIGHT**

- (71) Applicant: **SHENZHEN JIAWO INDUSTRIAL CO., LTD.**, Shenzhen (CN)
- (72) Inventor: **Huizhu Liu**, Guangdong (CN)
- (**) Term: **15 Years**
- (21) Appl. No.: **35/515,683**
- (22) Filed: **Nov. 18, 2022**

(80) **Hague Agreement Data**

Int. Filing Date: **Nov. 18, 2022**
 Int. Reg. No.: **DM/225039**
 Int. Reg. Date: **Nov. 18, 2022**
 Int. Reg. Pub. Date: **Dec. 2, 2022**

- (51) **LOC (14) Cl.** **22-01**
- (52) **U.S. Cl.**
USPC **D22/108; D26/60**
- (58) **Field of Classification Search**
USPC D22/108, 109, 110; D26/60; D16/220
CPC F41G 1/14; F41G 1/38; F41G 1/40; F41G 1/16; F41G 1/02; F41G 1/06
See application file for complete search history.

(56) **References Cited**

U.S. PATENT DOCUMENTS

D608,483 S *	1/2010	Lee	D26/60
D674,858 S *	1/2013	Galli	D22/108
D742,991 S *	11/2015	Klecker	D22/109
D813,340 S *	3/2018	Galli	D22/108
D829,841 S *	10/2018	Galli	D22/108
D860,375 S *	9/2019	Chavez	D22/108
D913,553 S *	3/2021	Worman	D26/60
D913,554 S *	3/2021	Worman	D26/60
D915,541 S *	4/2021	Chavez	D22/109
D931,231 S *	9/2021	Zimmer	D22/108
D936,613 S *	11/2021	Zimmer	D22/108
D949,278 S *	4/2022	Roberson	D22/109
D951,388 S *	5/2022	Xie	D22/109
2012/0139452 A1 *	6/2012	Galli	F41G 11/004 362/184
2016/0348880 A1 *	12/2016	Galli	H05B 45/18

OTHER PUBLICATIONS

“Votatu M9L-G Mini Light Laser Combo Compatible with M-Lok Rail Surface, 550 Lumens Tactical Flashlight and Green Laser Sight with Strobe Function for Rifle, Magnetic Rechargeable” [online], Votatu. [Product first available on Nov. 22, 2022]. Retrieved from the Internet: <<https://www.amazon.com/dp/B0BN39V85W>>.*
 “Votatu ML40 1450 Lumens Weapon Light Compatible with M-Lok Rail Surface, Tactical Flashlight for Rifle, Strobe Function, Magnetic Rechargeable” [online], Votatu. [Product first available on Nov. 22, 2022]. Retrieved from the Internet: <<https://www.amazon.com/dp/B0BN42QW1Z>>.*

* cited by examiner

Primary Examiner — Mojtaba Tehrani

(57) **CLAIM**

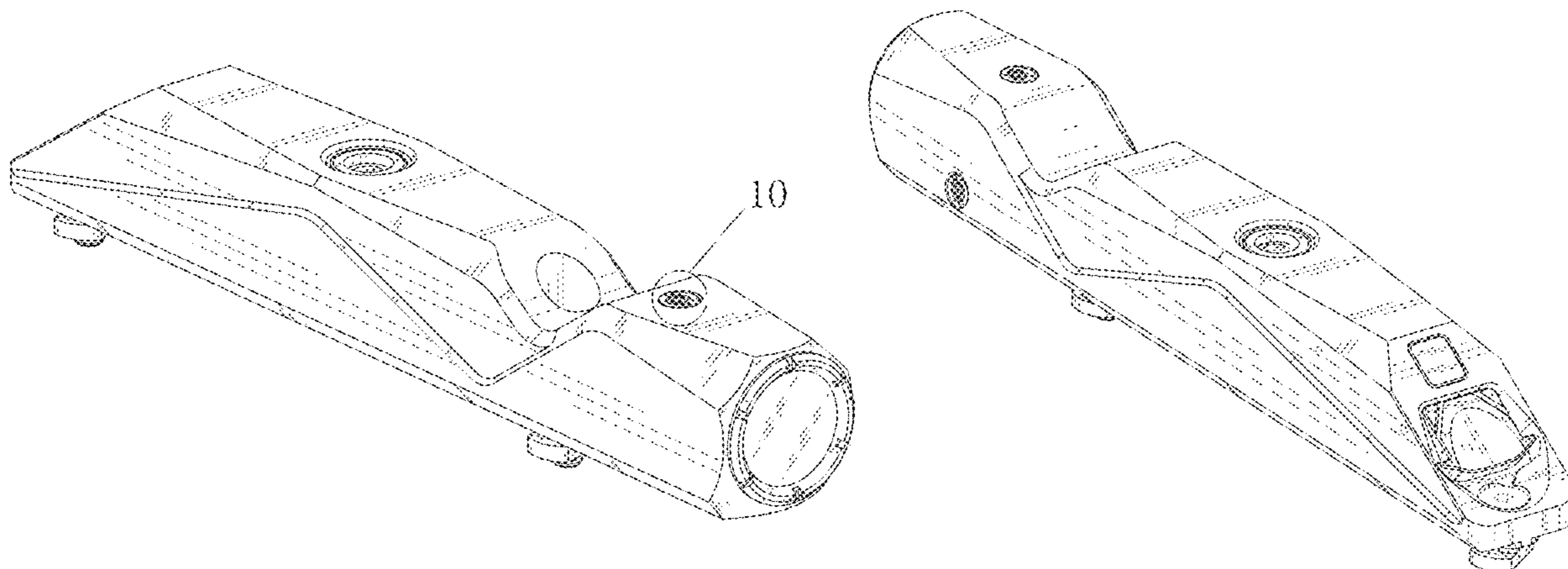
The ornamental design for a flashlight, as shown and described.

DESCRIPTION

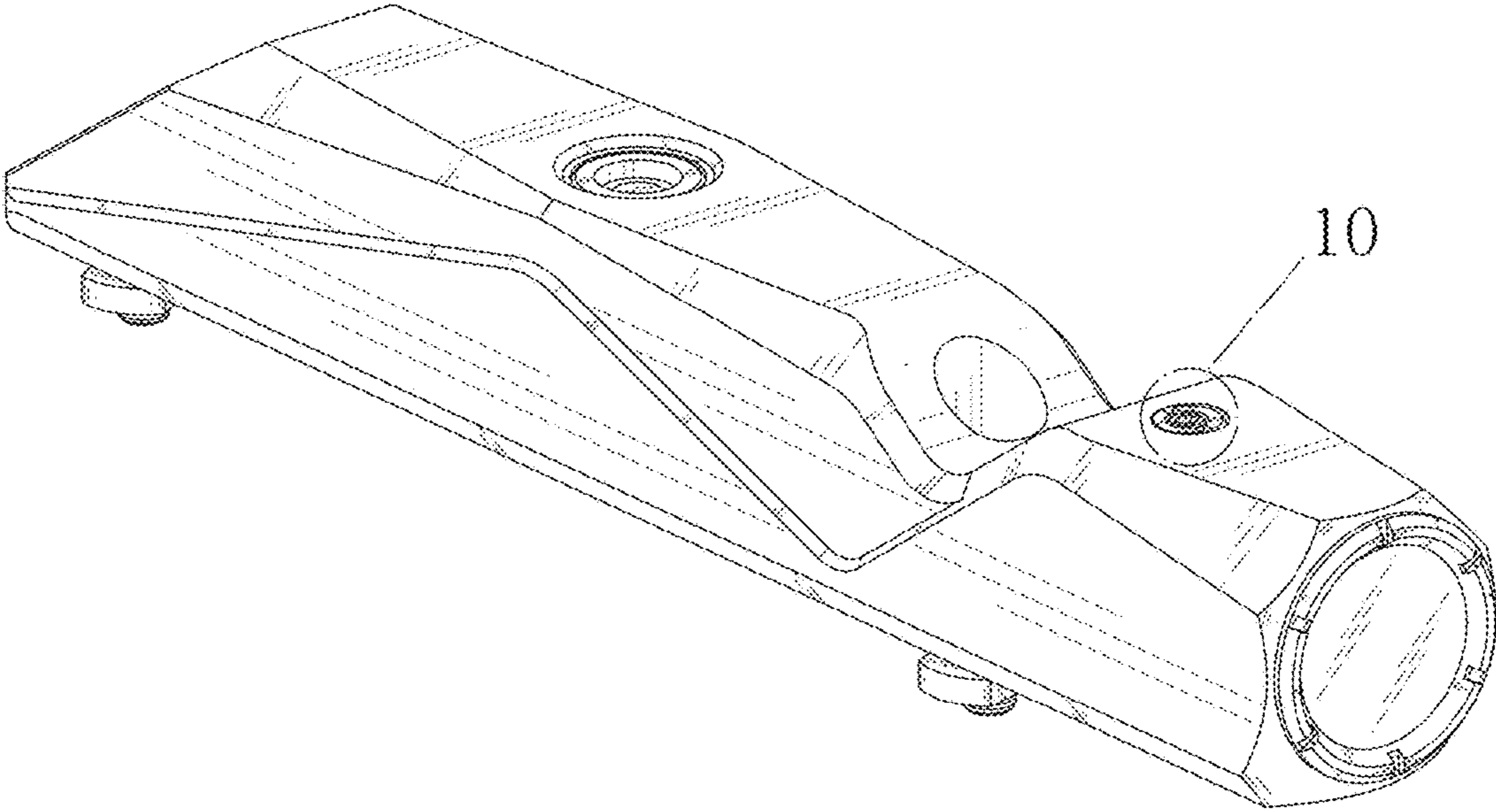
- 1. Flashlight
- 1.1 : Perspective
- 1.2 : Perspective
- 1.3 : Perspective
- 1.4 : Front
- 1.5 : Back
- 1.6 : Left
- 1.7 : Right
- 1.8 : Top
- 1.9 : Bottom
- 1.10 : Enlarged

The evenly broken lines in the reproductions, depict unclaimed portions of the flashlight; The dash-dot broken lines shown in the reproductions, depict the boundary of the enlarged view; the broken lines form no part of the claimed design.

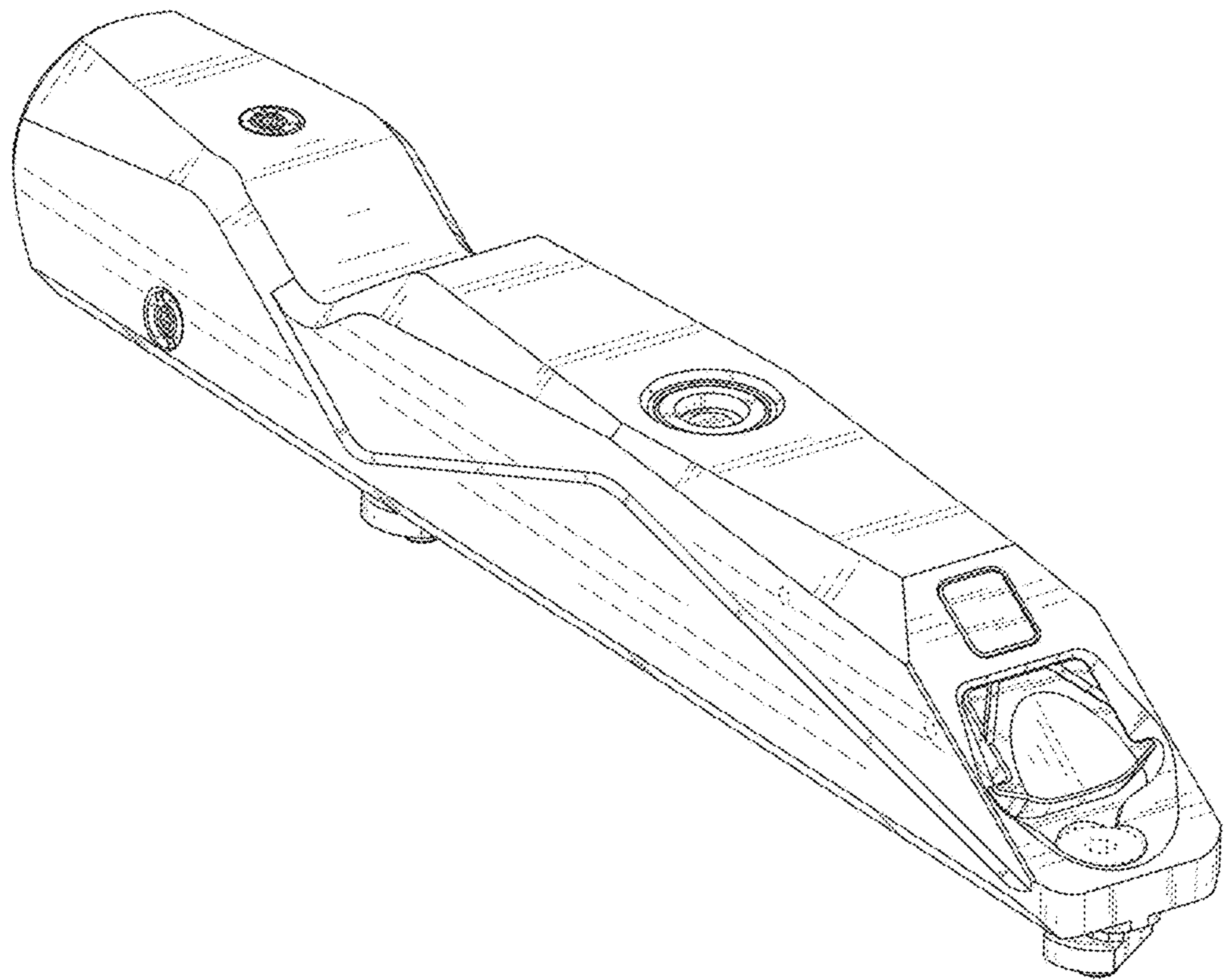
1 Claim, 10 Drawing Sheets



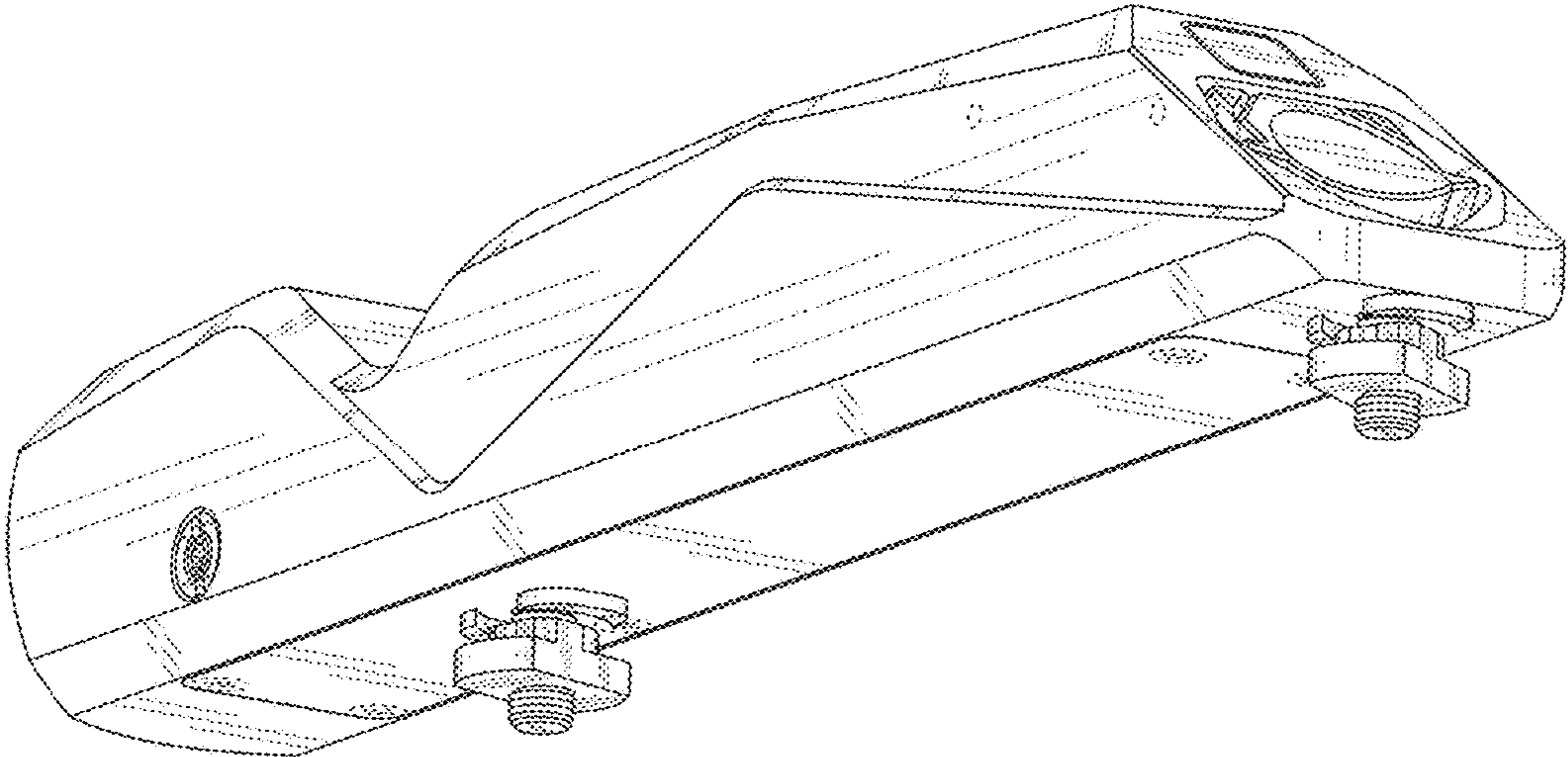
1.1



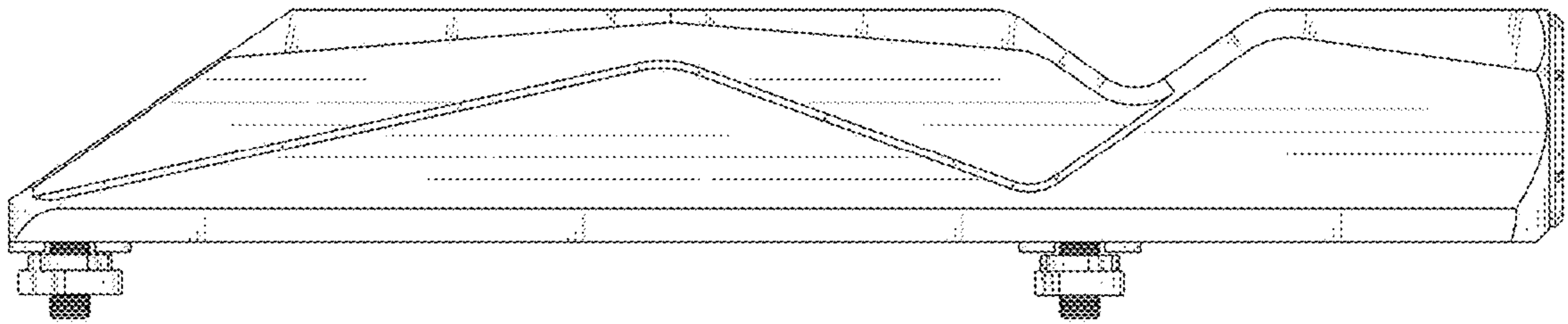
1.2



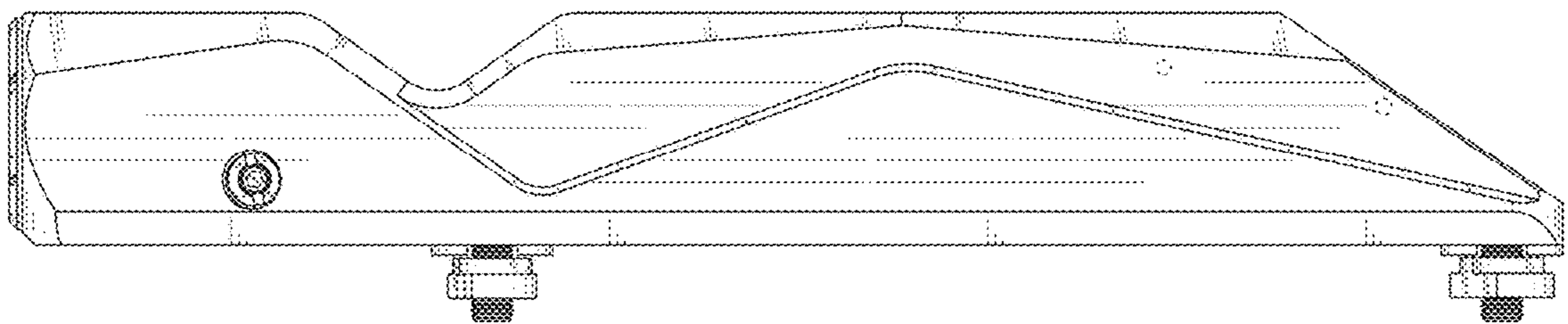
1.3



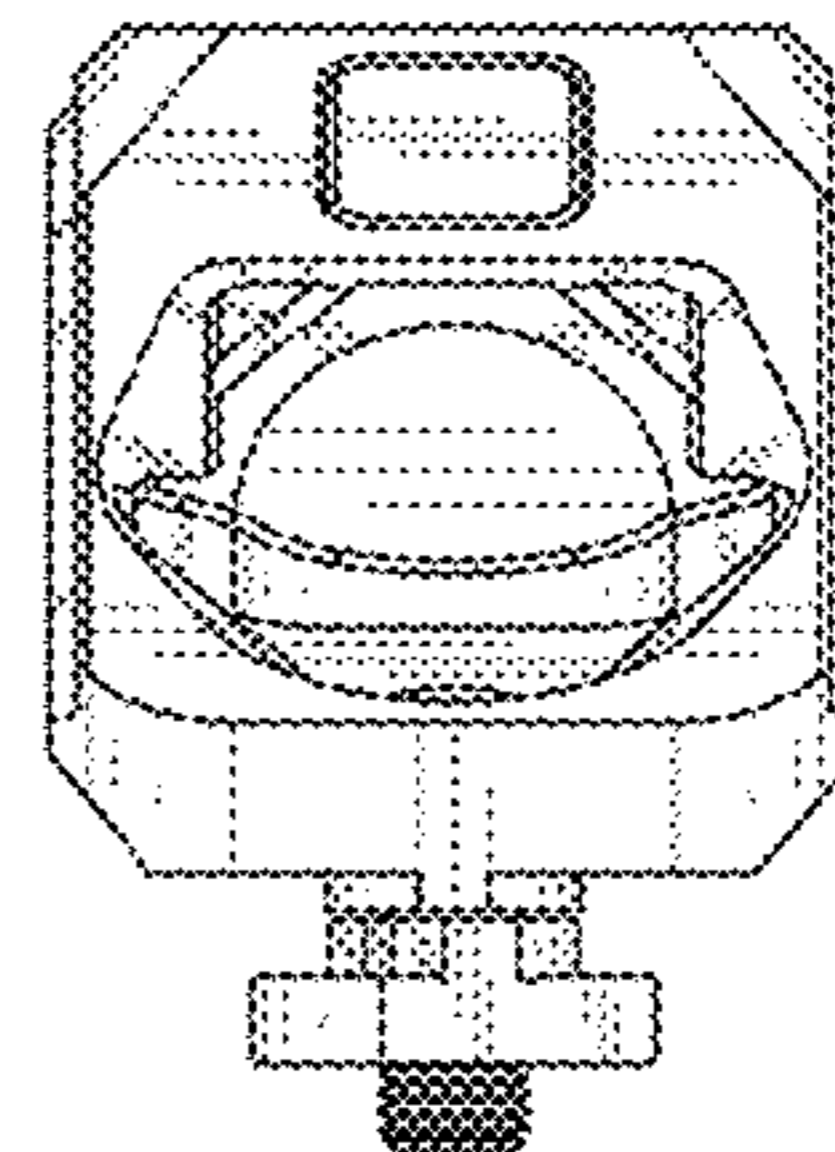
1.4



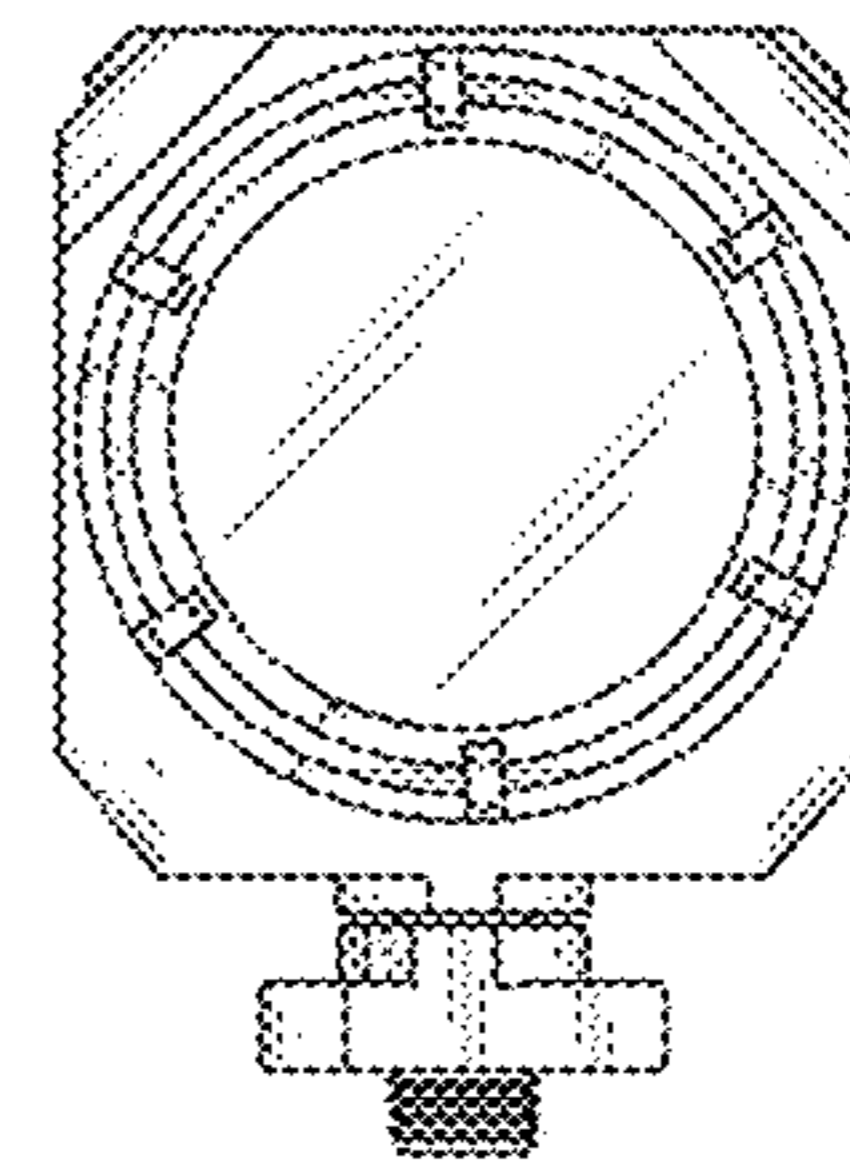
1.5



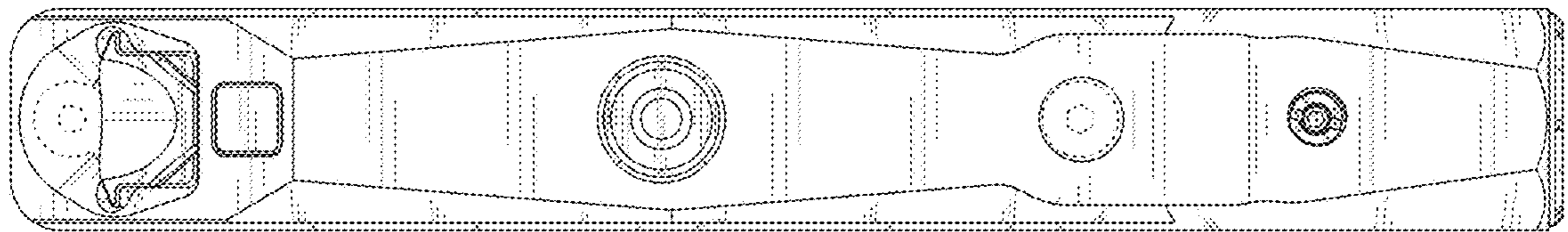
1.6



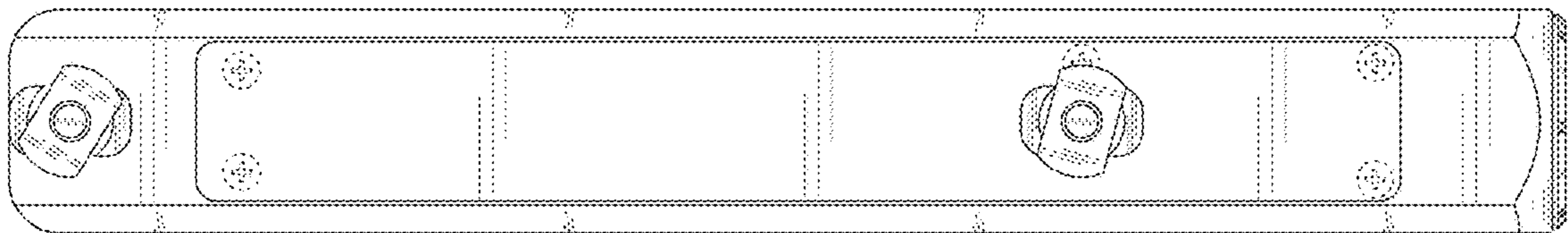
1.7



1.8



1.9



1.10

