



US00D984574S

(12) **United States Design Patent** (10) **Patent No.:** **US D984,574 S**  
**Shi** (45) **Date of Patent:** **\*\* Apr. 25, 2023**

(54) **INFLATABLE SWIMMING POOL**

FOREIGN PATENT DOCUMENTS

(71) Applicant: **DONGGUAN HONGYU PLASTIC RUBBER CO., LTD.**, Dongguan (CN)

CN 307095889 \* 2/2022

(72) Inventor: **Juying Shi**, Nanchong (CN)

OTHER PUBLICATIONS

(73) Assignee: **DONGGUAN HONGYU PLASTIC RUBBER CO., LTD.**, Dongguan (CN)

Valwix, Inflatable Swimming Pool, published Aug. 14, 2022 [online]. Retrieved from internet, Dec. 9, 2022, <https://www.amazon.com/Inflatable-Swimming-Valwix-Sprinkler-Full-Sized/dp/B09JSTC4DC?th=1> (Year: 2022).\*

(\*\*) Term: **15 Years**

Summer Waves, Inflatable Ring Pool, published Jun. 8, 2019. Retrieved from internet, Dec. 9, 2022, [https://www.amazon.com/Summer-Waves-Inflatable-Comfort-Swimming/dp/B07NLDQLTN/ref=cm\\_cr\\_arp\\_d\\_product\\_top?ie=UTF8](https://www.amazon.com/Summer-Waves-Inflatable-Comfort-Swimming/dp/B07NLDQLTN/ref=cm_cr_arp_d_product_top?ie=UTF8) (Year: 2019).\*

(21) Appl. No.: **29/807,058**

\* cited by examiner

(22) Filed: **Sep. 8, 2021**

(51) **LOC (14) Cl.** ..... **21-03**

*Primary Examiner* — Katherine A Holbrow

(52) **U.S. Cl.**

*Assistant Examiner* — Riya Salil Kamat

USPC ..... **D21/815**; D21/803

(74) *Attorney, Agent, or Firm* — Bayramoglu Law Offices LLC

(58) **Field of Classification Search**

USPC ..... D21/801, 802, 803, 809, 815, 819

CPC .... E04H 4/0012; E04H 4/0025; E04H 4/0018

See application file for complete search history.

(57) **CLAIM**

The ornamental design for an inflatable swimming pool, as shown and described.

(56) **References Cited**

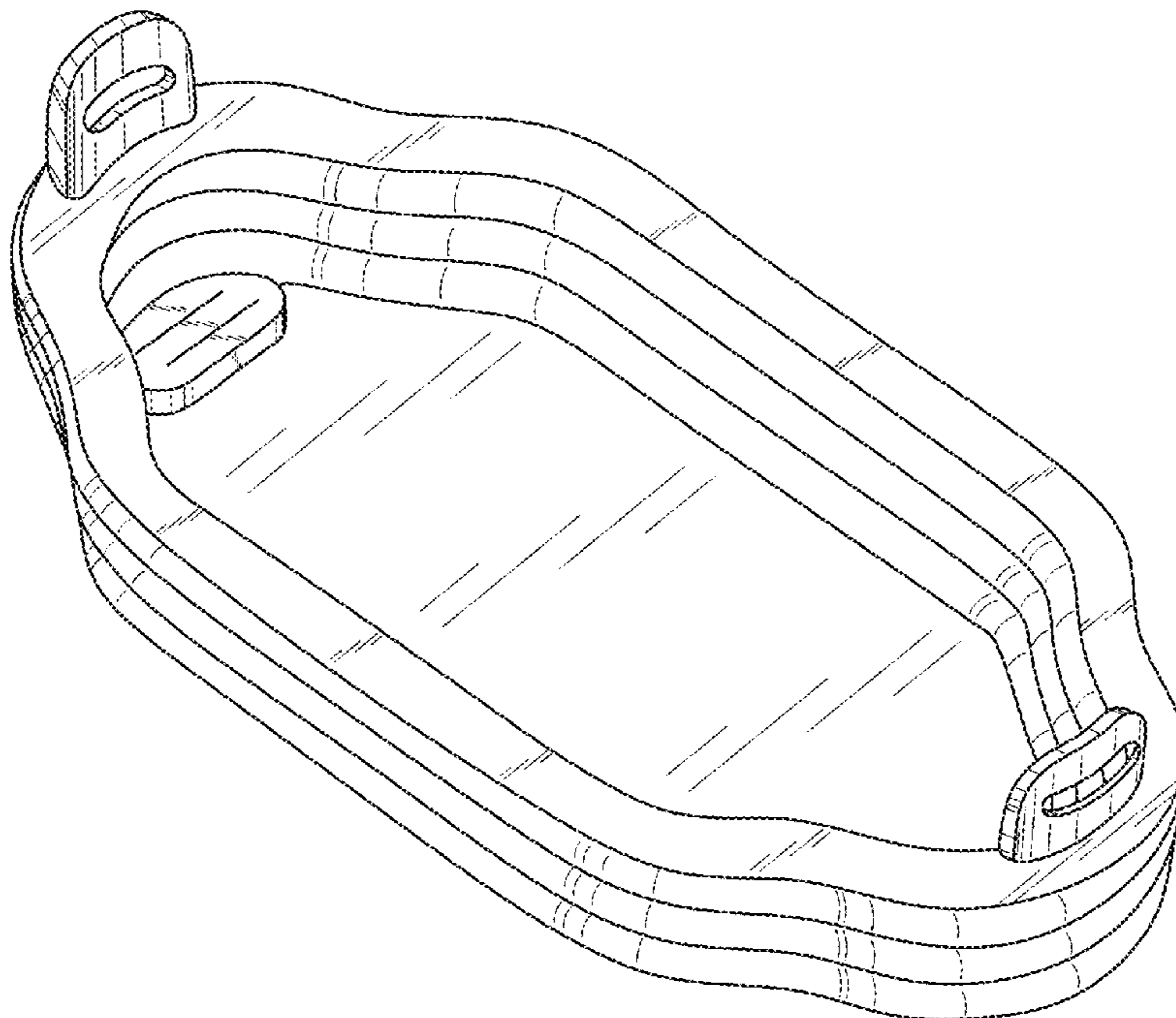
**DESCRIPTION**

U.S. PATENT DOCUMENTS

D406,870 S *	3/1999	Bauman	.....	D21/803
D481,436 S *	10/2003	Peterson	.....	D21/803
D571,429 S *	6/2008	Roberts	.....	D21/803
D628,667 S *	12/2010	McCarthy	.....	D21/769
D649,615 S *	11/2011	Scott	.....	D21/769
D743,514 S *	11/2015	Kuipers	.....	D23/277
D791,334 S *	7/2017	Liu	.....	D24/204
D819,152 S *	5/2018	Liu	.....	D21/803
D903,803 S *	12/2020	Tao	.....	D21/815
D952,090 S *	5/2022	Hsu	.....	D21/815
2016/0362904 A1 *	12/2016	Liu	.....	E04H 4/148

FIG. 1 is a perspective view of an inflatable swimming pool showing my new design;  
FIG. 2 is a front view thereof;  
FIG. 3 is a rear view thereof;  
FIG. 4 is a left side view thereof;  
FIG. 5 is a right side view thereof;  
FIG. 6 is a top view thereof; and,  
FIG. 7 is a bottom view thereof.

**1 Claim, 7 Drawing Sheets**



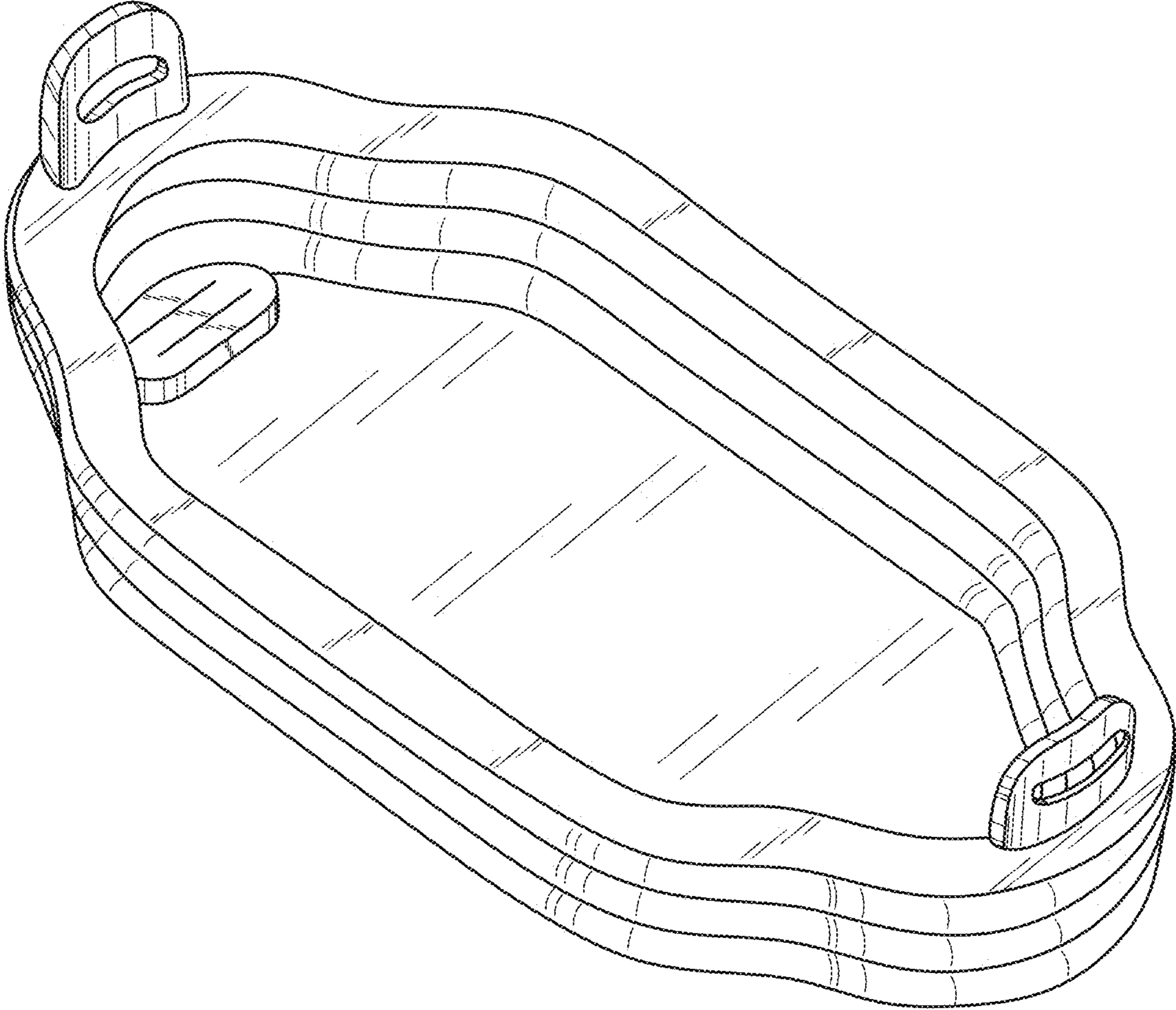


FIG. 1

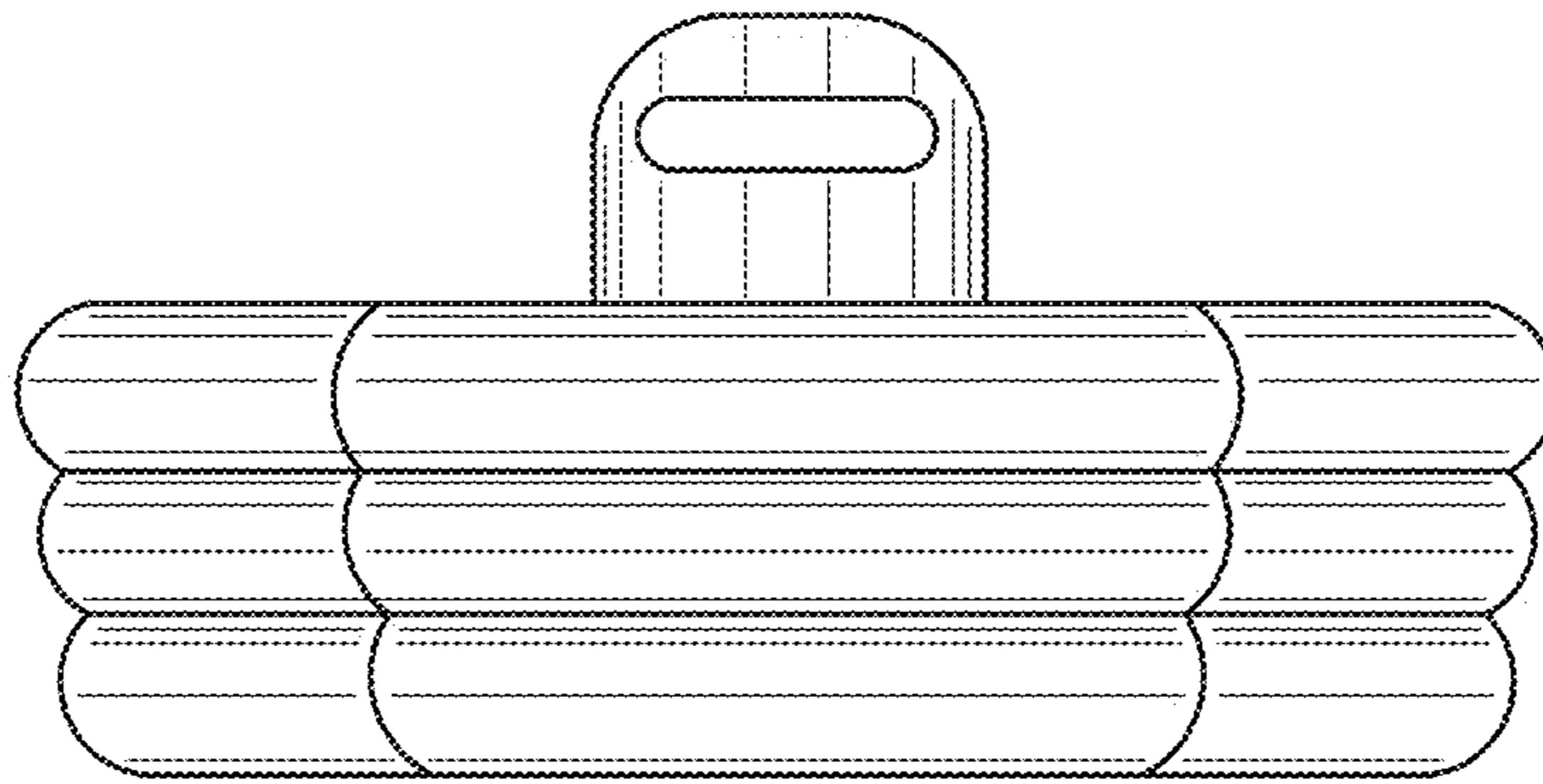


FIG. 2

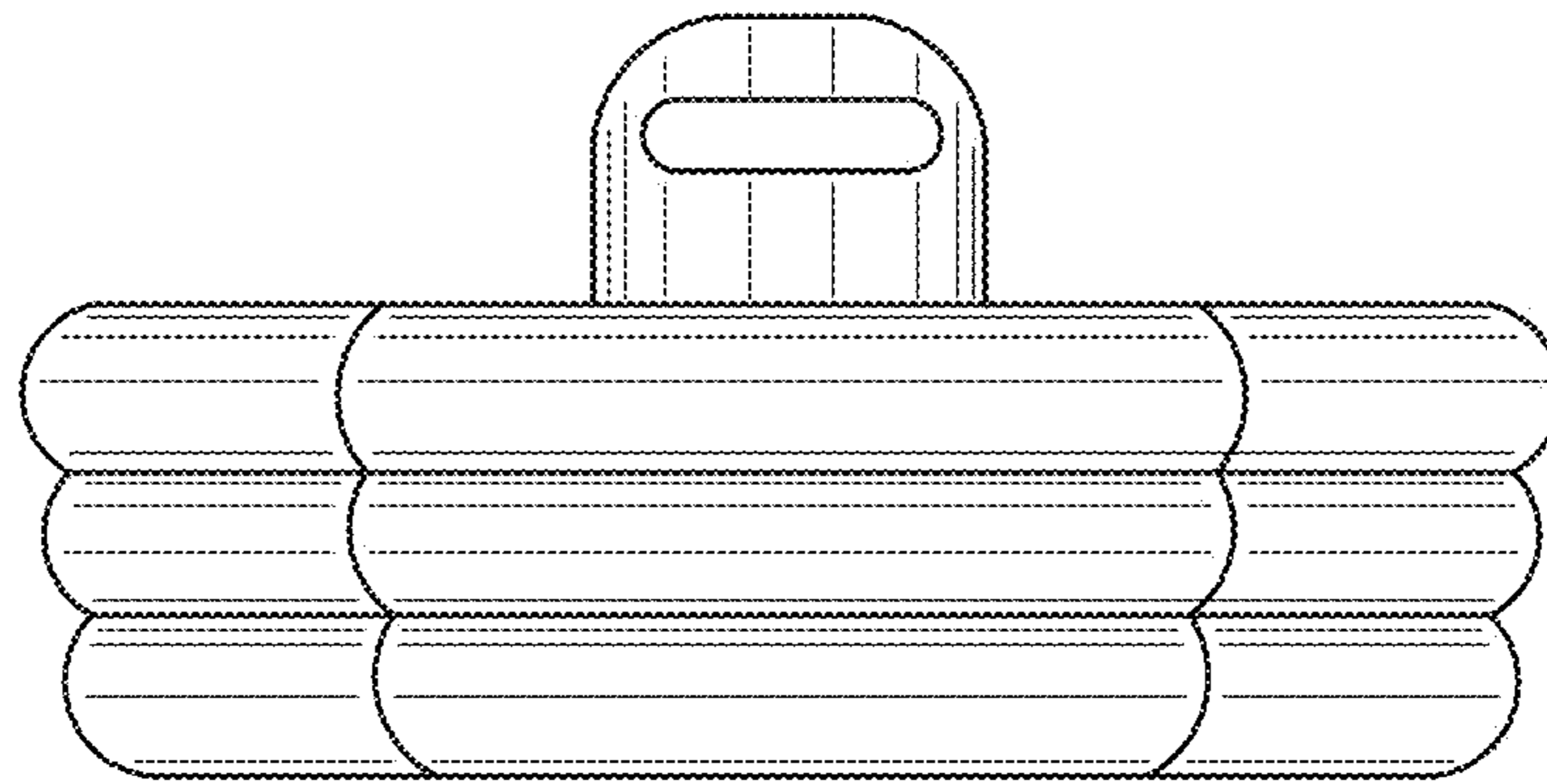


FIG. 3

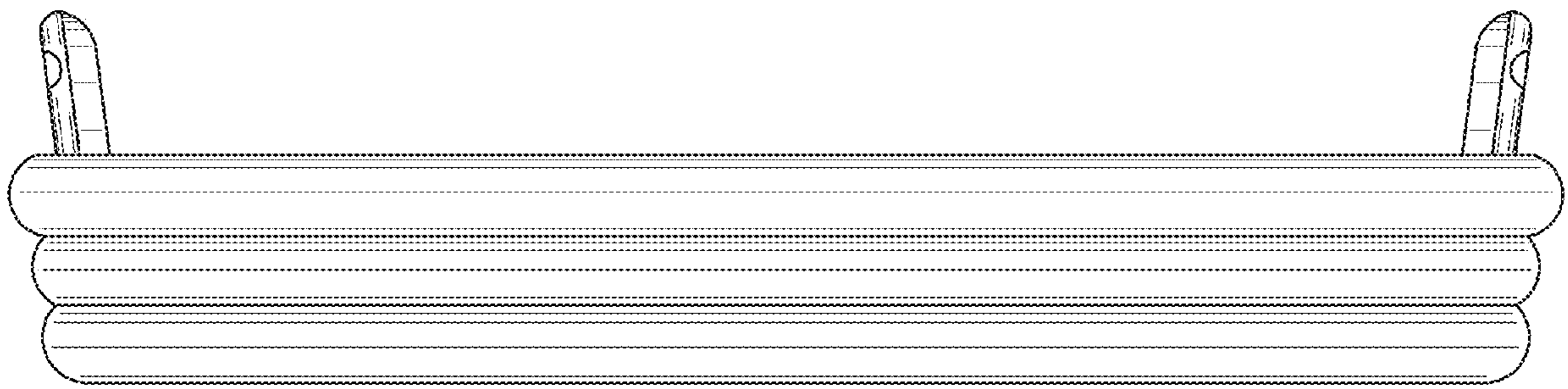


FIG. 4

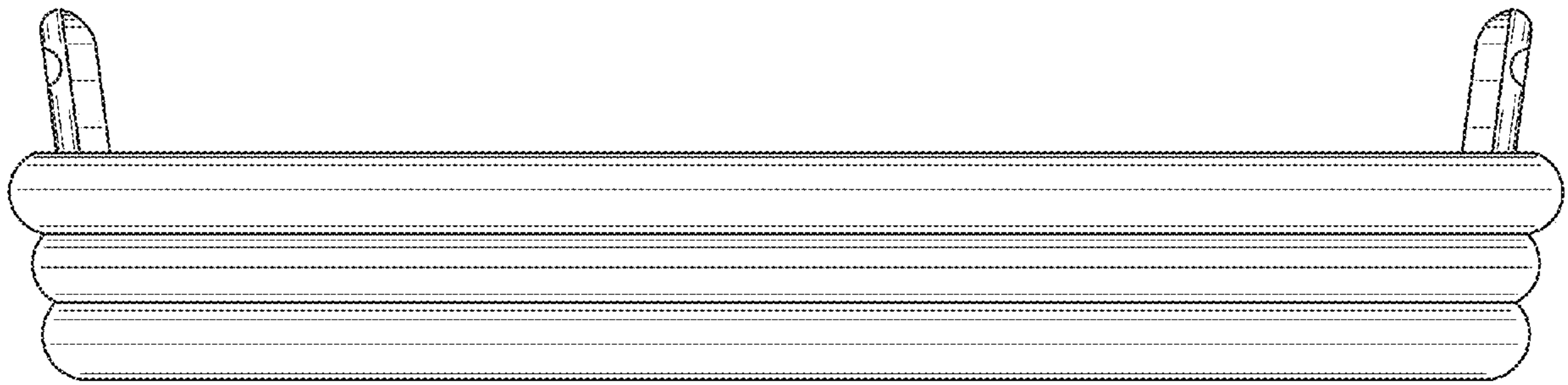


FIG. 5

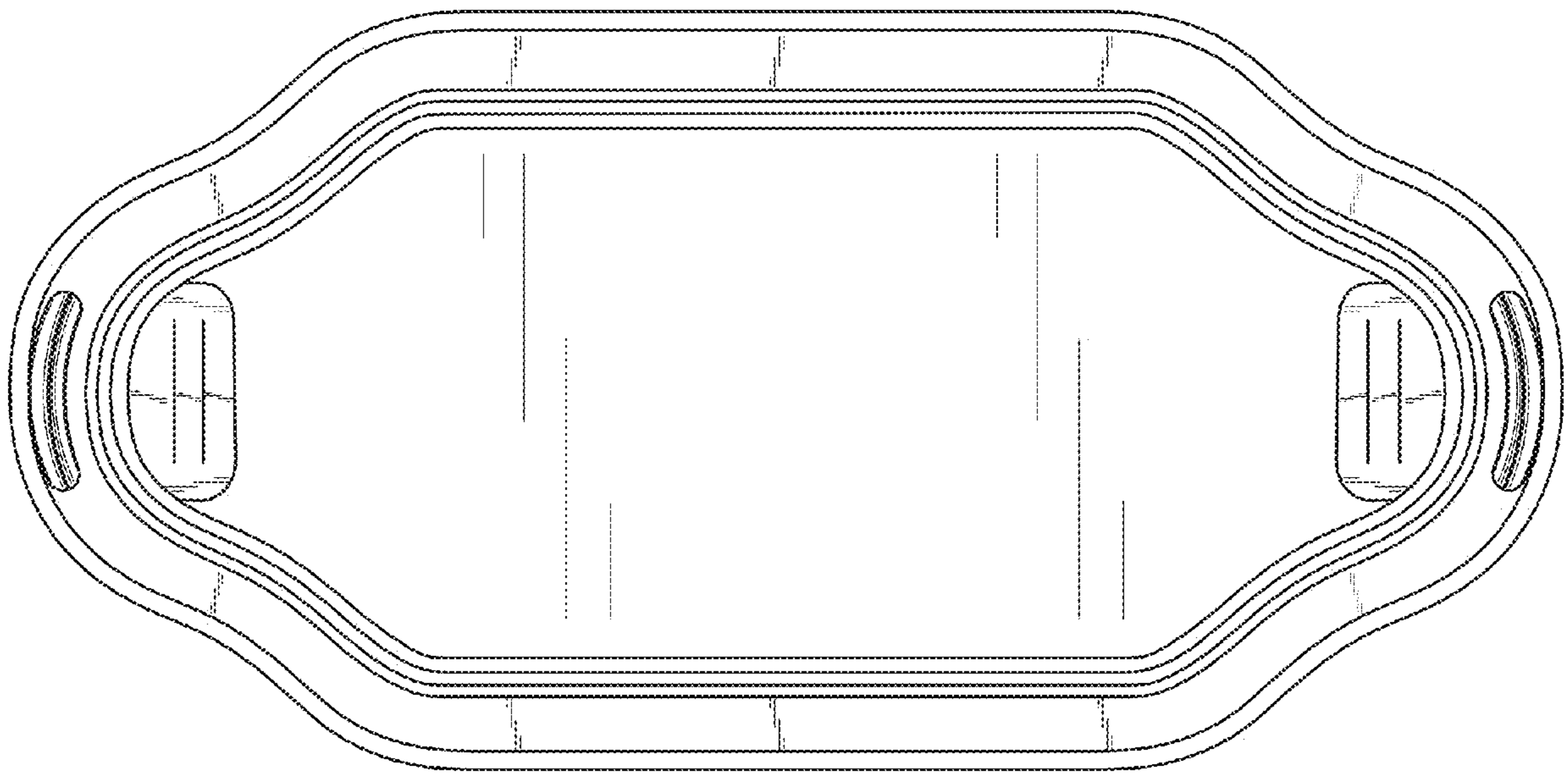


FIG. 6

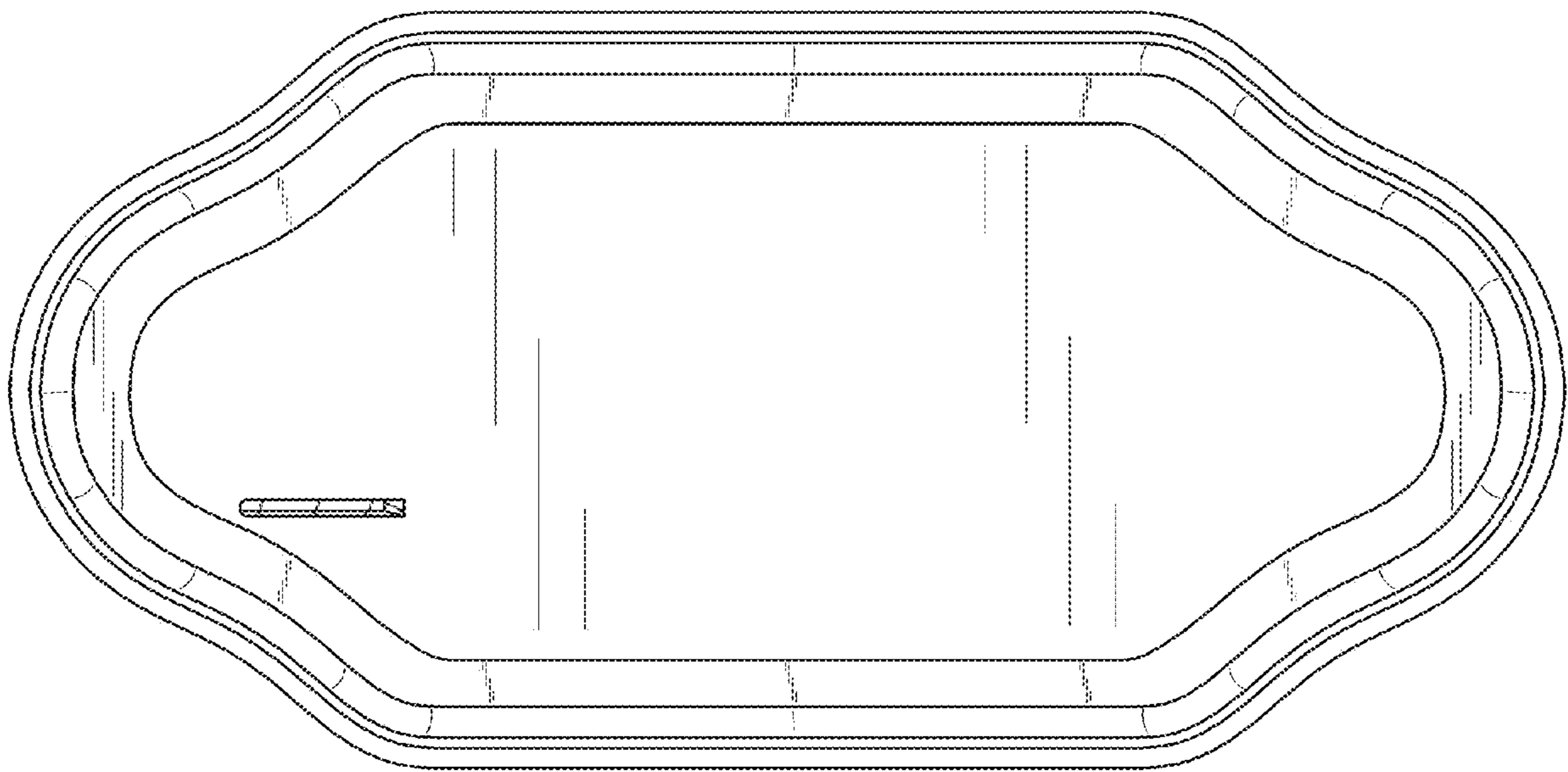


FIG. 7