



US00D984569S

(12) **United States Design Patent**
Tsuchihashi

(10) **Patent No.:** **US D984,569 S**

(45) **Date of Patent:** **** Apr. 25, 2023**

(54) **HEAD FOR A GOLF CLUB**

(71) Applicant: **SUMITOMO RUBBER INDUSTRIES, LTD.**, Kobe (JP)

(72) Inventor: **Satoko Tsuchihashi**, Kobe (JP)

(73) Assignee: **SUMITOMO RUBBER INDUSTRIES, LTD.**, Kobe (JP)

(**) Term: **15 Years**

(21) Appl. No.: **29/802,271**

(22) Filed: **Aug. 4, 2021**

(30) **Foreign Application Priority Data**

Feb. 8, 2021 (JP) 2021-002733 D

(51) **LOC (14) Cl.** **21-02**

(52) **U.S. Cl.**
USPC **D21/747**

(58) **Field of Classification Search**

USPC D21/747-751, 759

CPC A63B 53/00; A63B 53/02; A63B 53/04;
A63B 53/047; A63B 53/0475; A63B
2053/0479; A63B 2053/0483; A63B
2053/0445; A63B 60/00; A63B 60/46

See application file for complete search history.

(56) **References Cited**

U.S. PATENT DOCUMENTS

D618,293 S *	6/2010	Foster	D21/747
D652,093 S *	1/2012	Foster	D21/747
D753,250 S *	4/2016	Song	D21/749
D885,501 S *	5/2020	Tsuchihashi	D21/748
D894,303 S *	8/2020	Song	D21/747
D921,794 S *	6/2021	Tsuchihashi	D21/759
D926,899 S *	8/2021	Clarke	D21/747

11,554,296 B2 *	1/2023	Greer	A63B 53/02
2022/0134195 A1 *	5/2022	Greer	A63B 53/0425 473/342
2022/0168615 A1 *	6/2022	Brubaker	A63B 60/48

OTHER PUBLICATIONS

Golf irons google search; google.com; Jan. 20, 2023.*
XXIO irons google search; google.com; Jan. 20, 2023.*
Dunlopsports.com (mens and womens clubs); Jan. 20, 2023.*

* cited by examiner

Primary Examiner — Mitchell I. Siegel

(74) *Attorney, Agent, or Firm* — Birch, Stewart, Kolasch & Birch, LLP

(57) **CLAIM**

The ornamental design for a head for a golf club, as shown and described.

DESCRIPTION

FIG. 1 is a perspective view of a head for a golf club showing my new design;

FIG. 2 is a front view thereof;

FIG. 3 is a left side view thereof;

FIG. 4 is a right side view thereof;

FIG. 5 is a top view thereof;

FIG. 6 is a bottom view thereof;

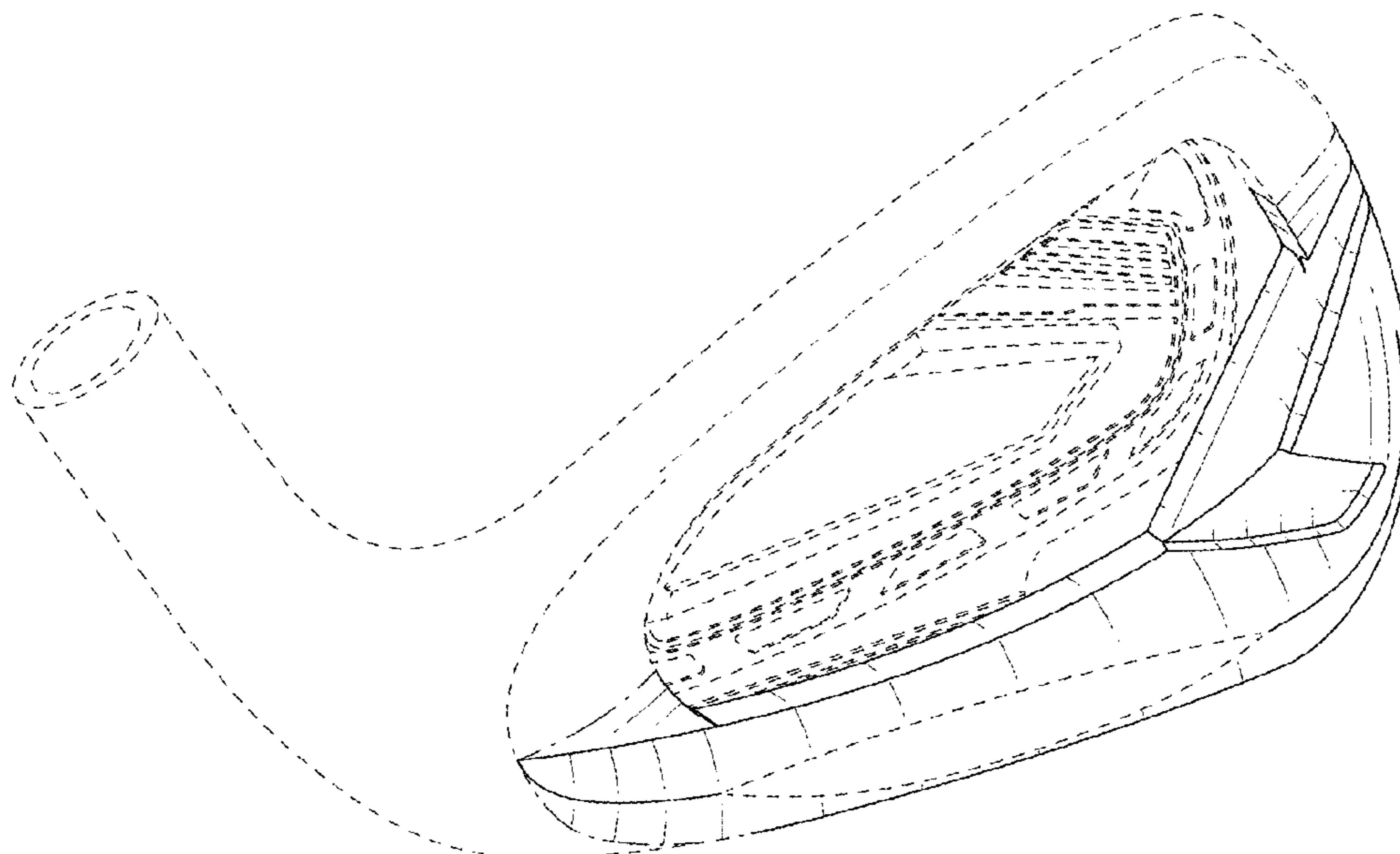
FIG. 7 is an enlarged cross-sectional view taken along line 7-7 in FIG. 2 thereof; and,

FIG. 8 is an enlarged cross-sectional view taken along line 8-8 in FIG. 2 thereof.

The broken lines depict portions of the head for a golf club in which the design is embodied that are not considered part of the claimed design.

The dot-dash lines show a boundary between the claimed design and unclaimed portions.

1 Claim, 4 Drawing Sheets



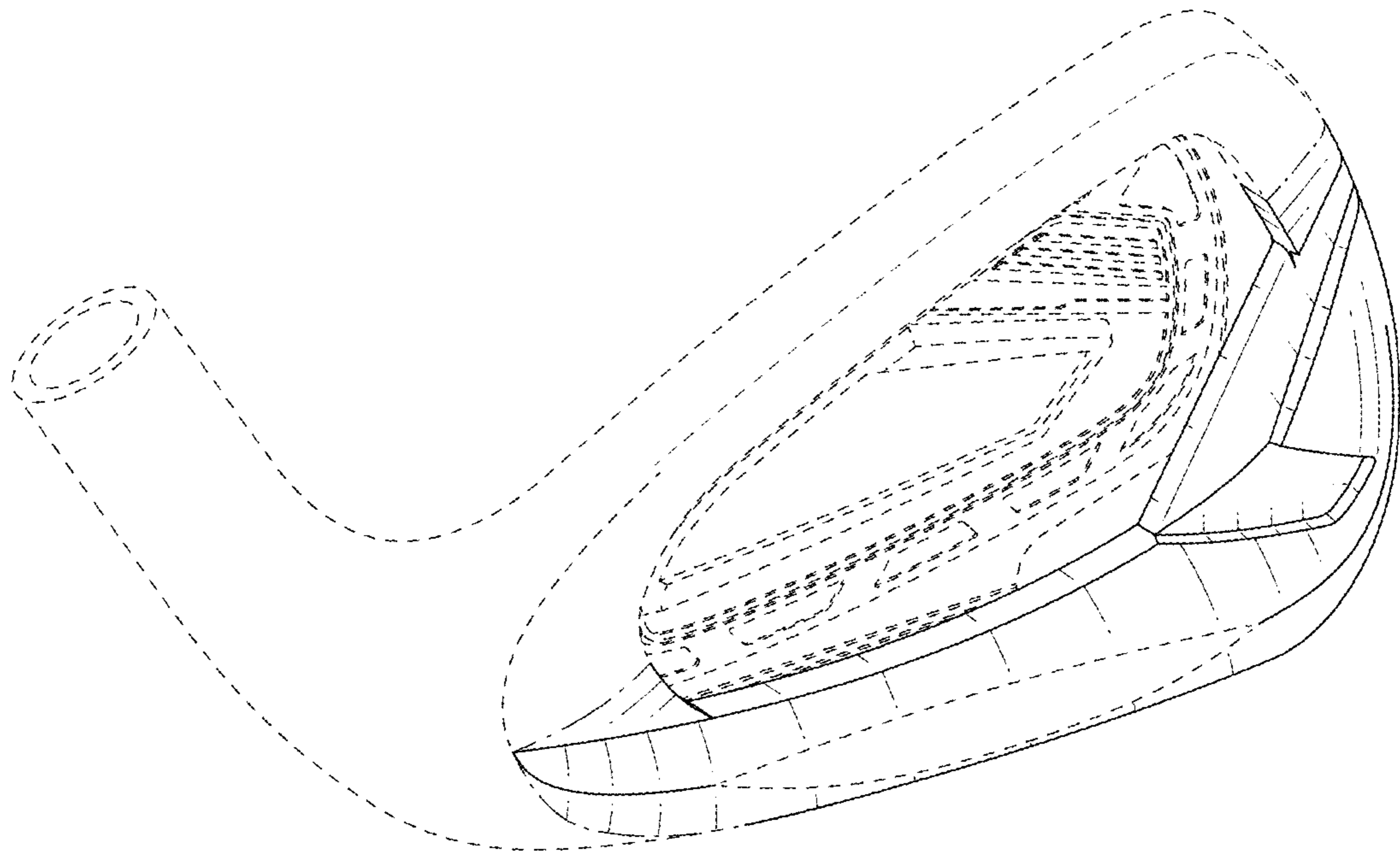


Fig. 1

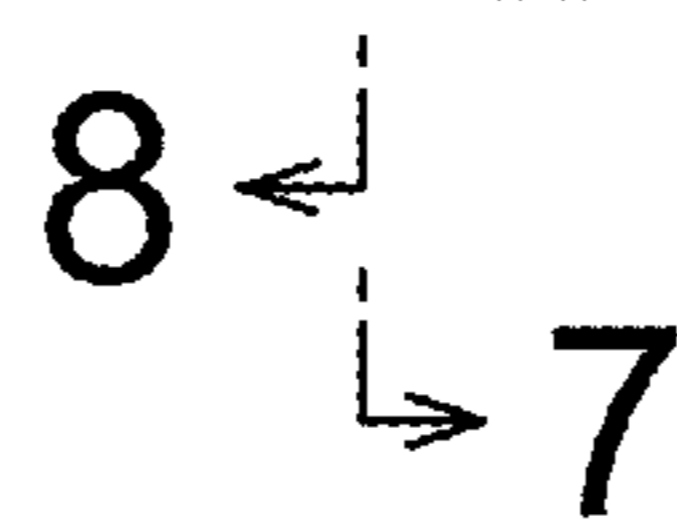
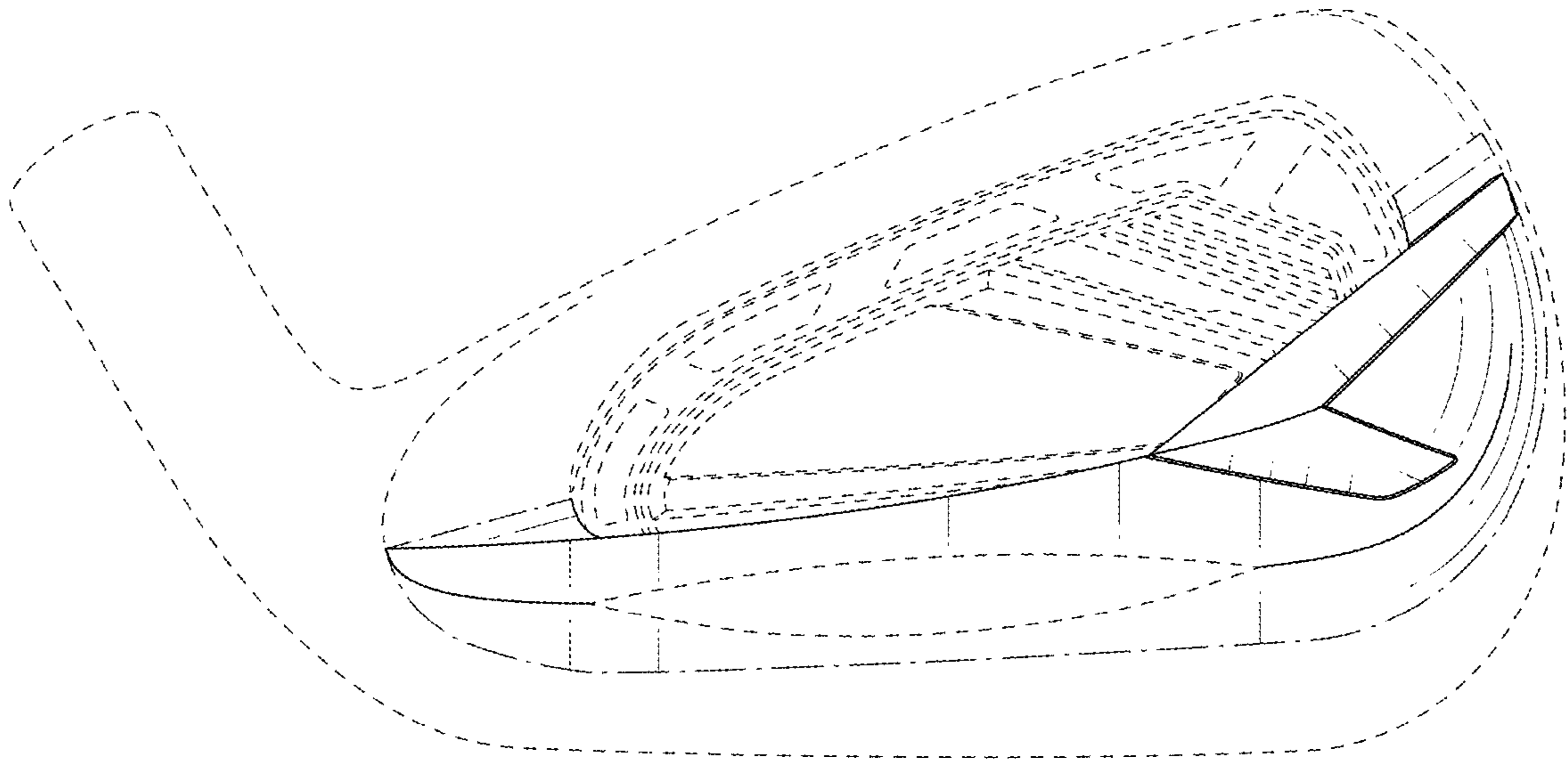
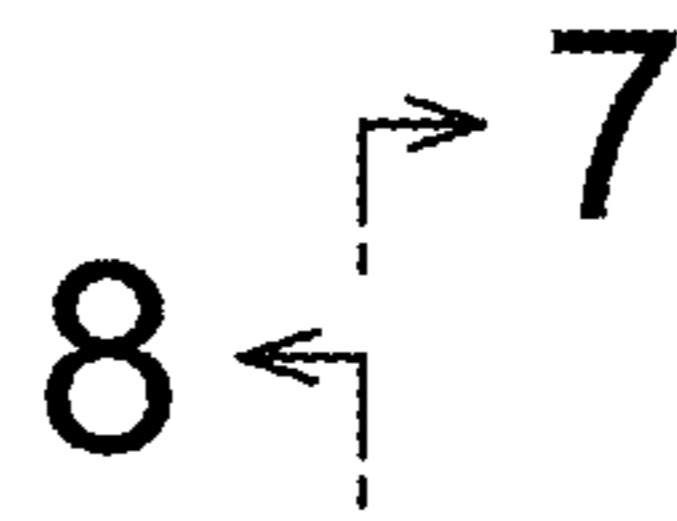


Fig. 2

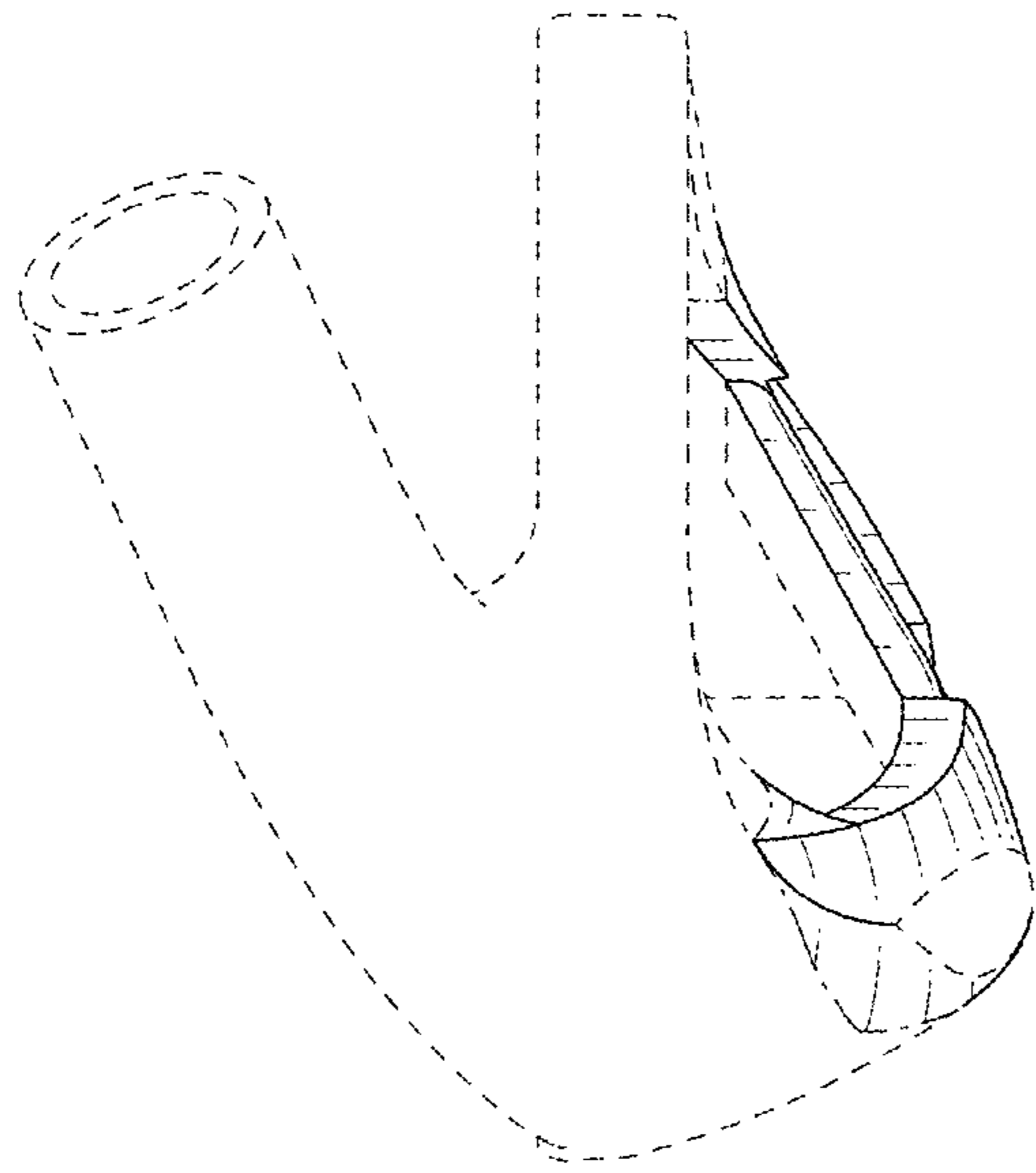


Fig.3

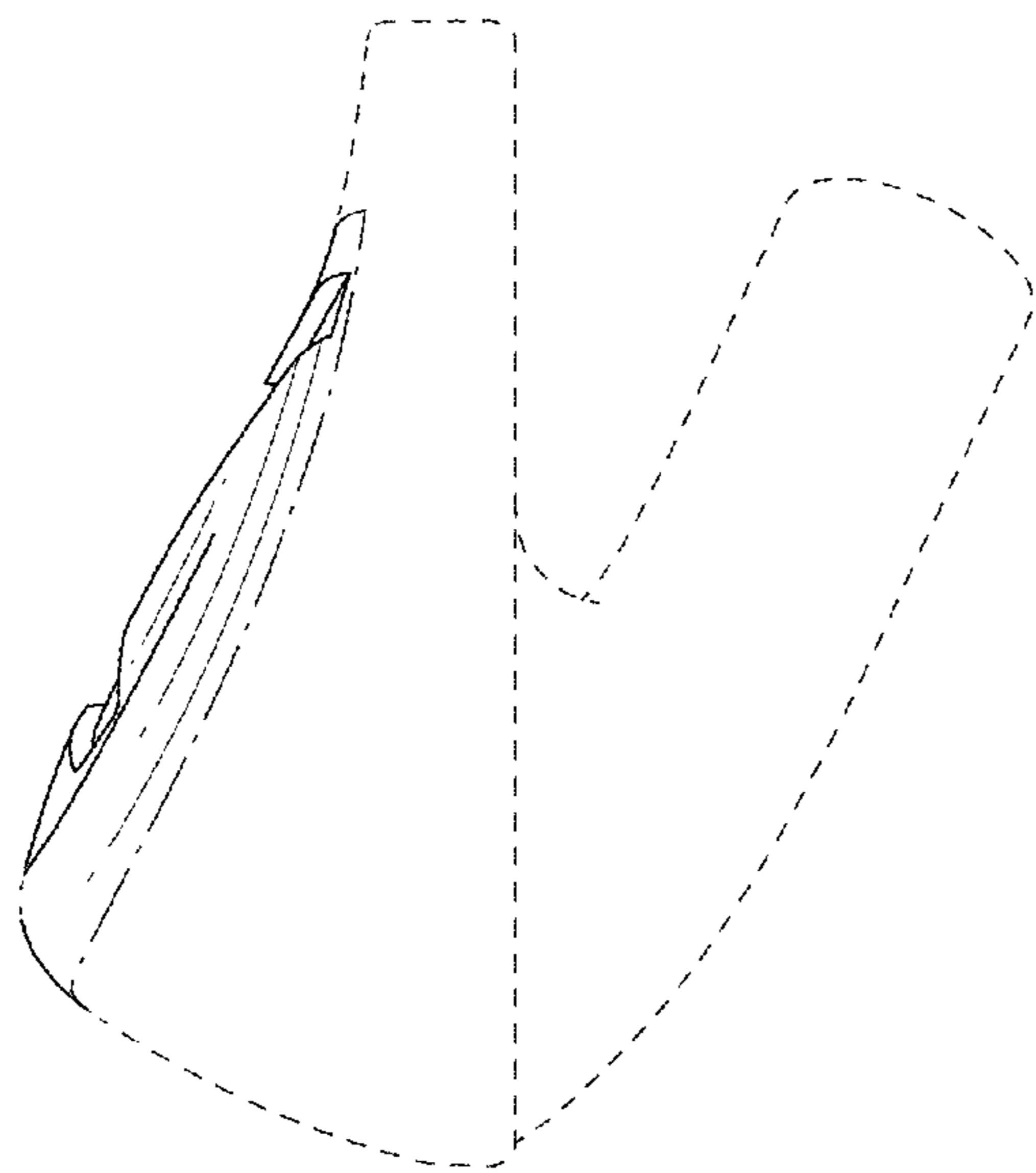


Fig.4

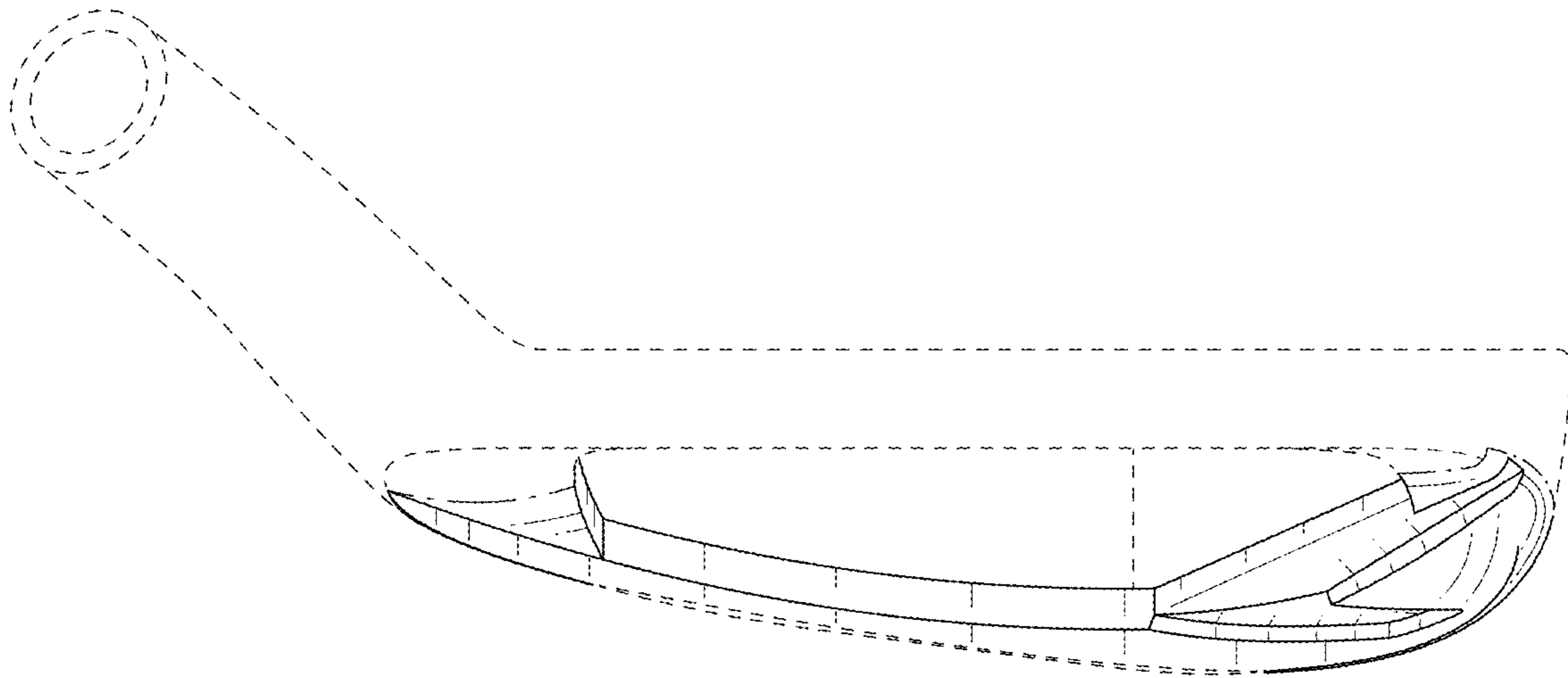


Fig. 5

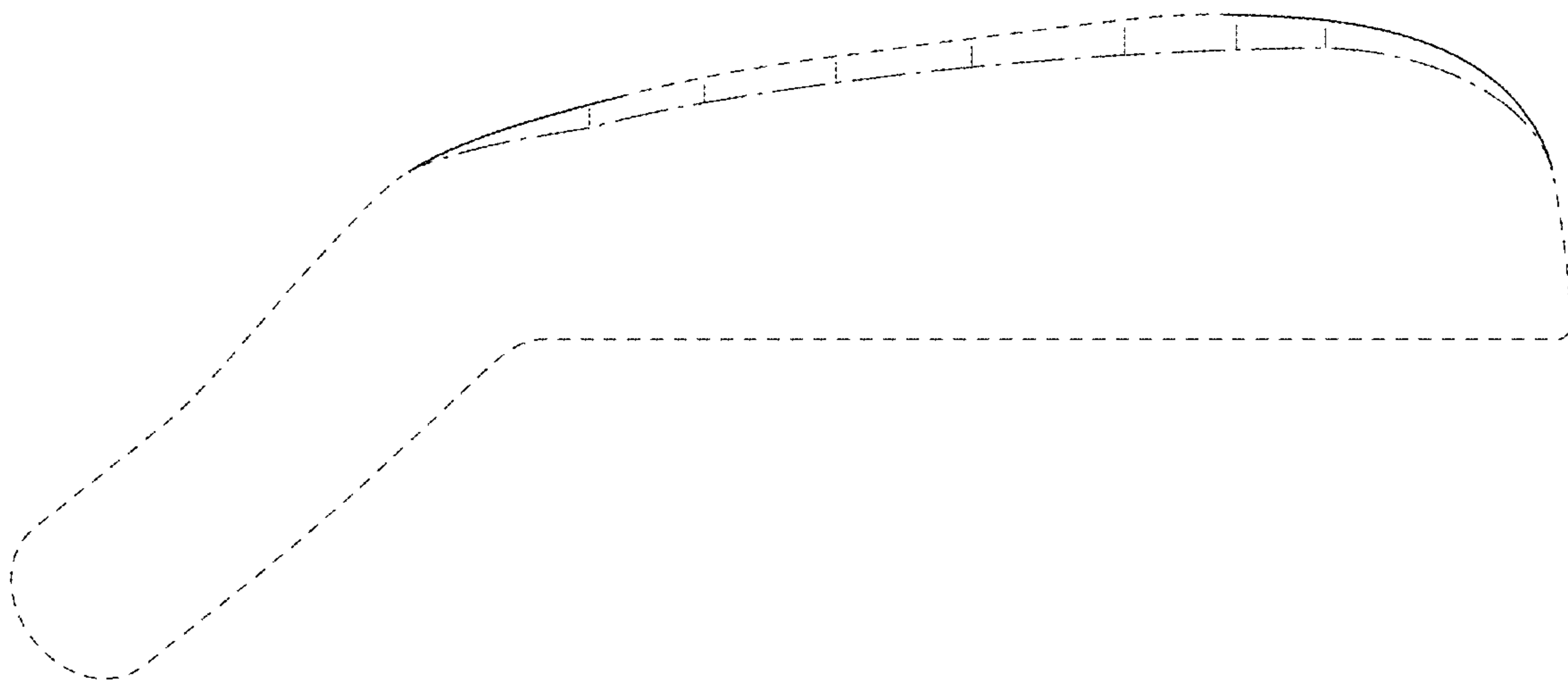


Fig. 6

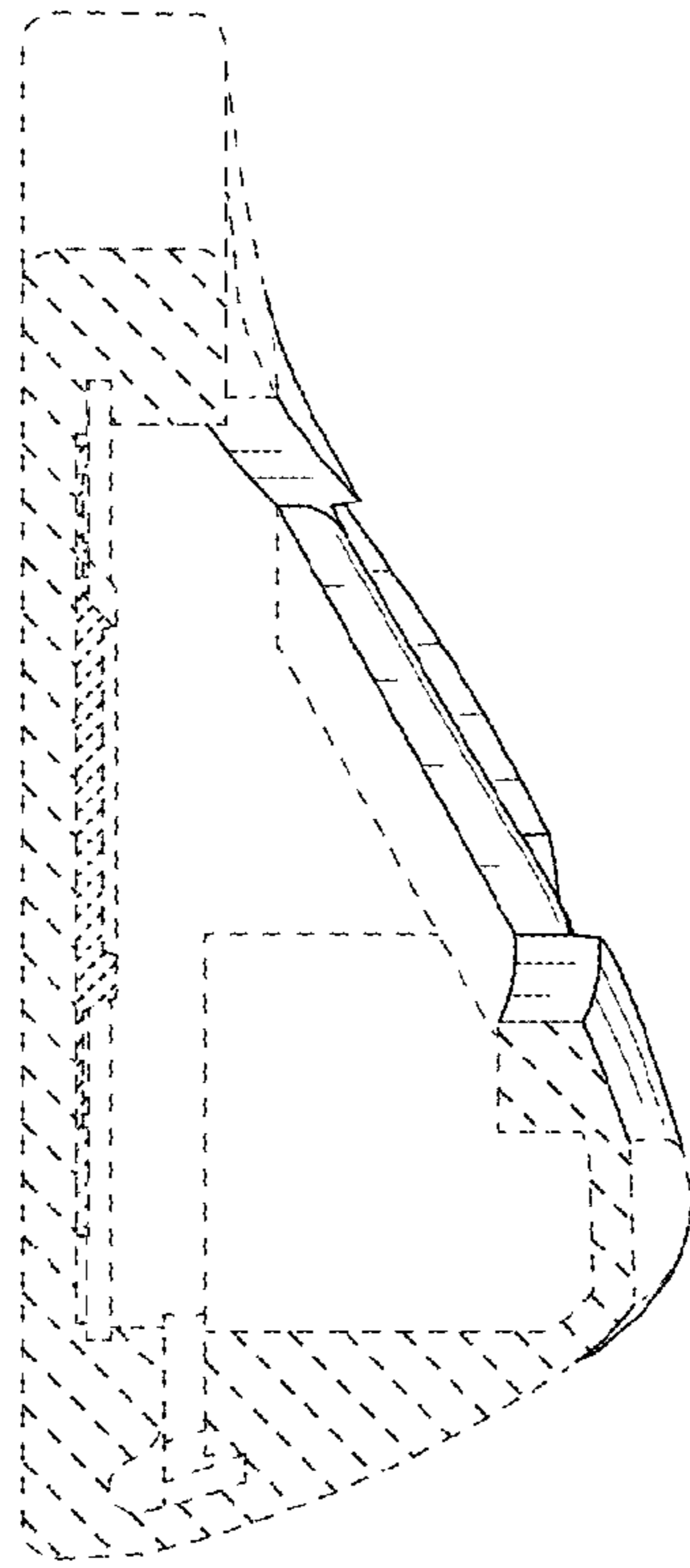


Fig. 7

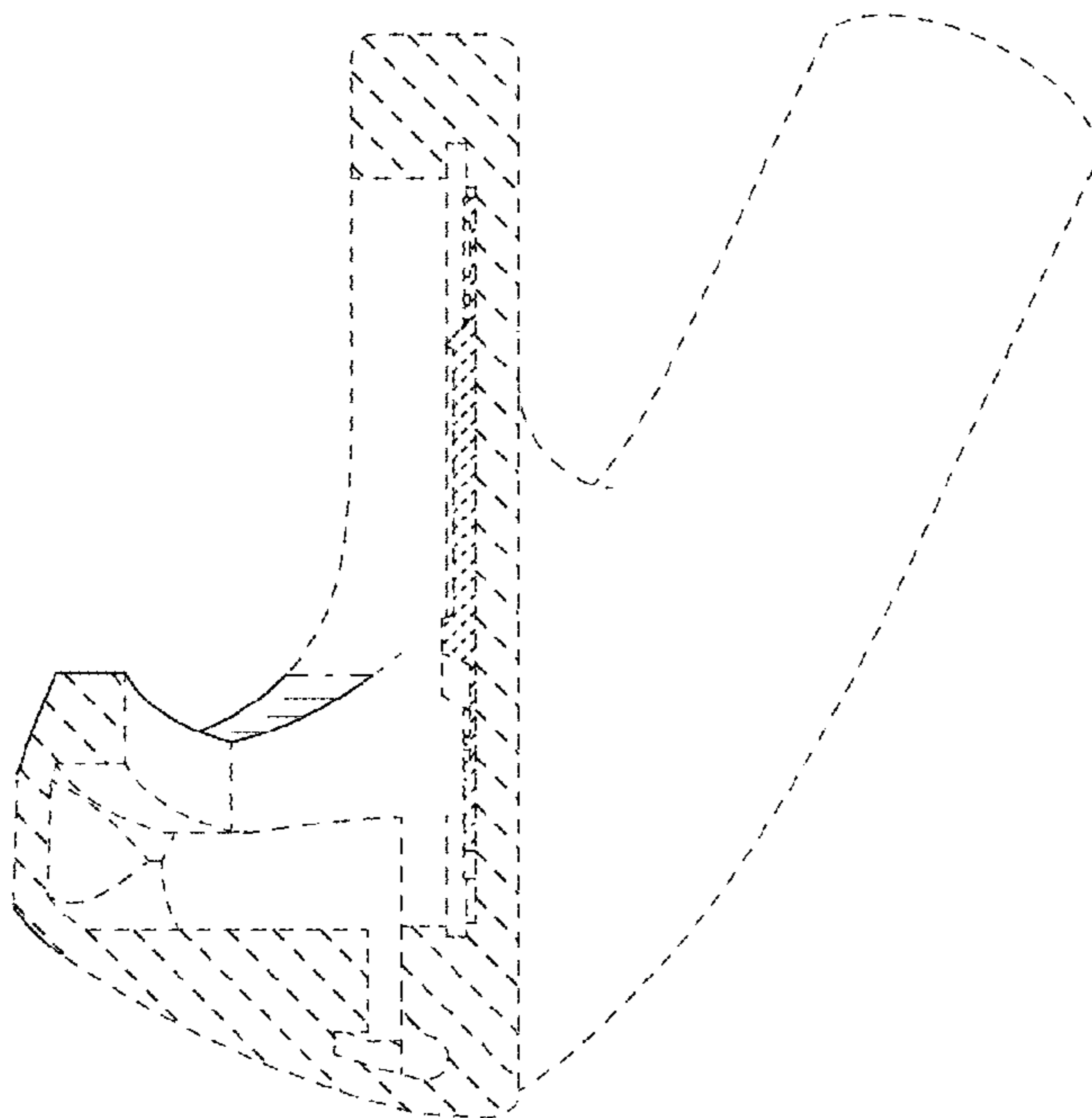


Fig. 8