



US00D984565S

(12) **United States Design Patent** (10) **Patent No.:** **US D984,565 S**  
**Lin** (45) **Date of Patent:** **\*\* Apr. 25, 2023**

(54) **WEIGHT LIFTING PLATFORM**  
(71) Applicant: **Zih-Yin Lin**, Kaohsiung (TW)  
(72) Inventor: **Zih-Yin Lin**, Kaohsiung (TW)  
(\*\*) Term: **15 Years**  
(21) Appl. No.: **29/763,399**

D553,905 S \* 10/2007 Orr, Jr. .... D7/390  
D605,883 S \* 12/2009 Hayes ..... D6/707.19  
D654,300 S \* 2/2012 Bradley ..... D7/354  
(Continued)

FOREIGN PATENT DOCUMENTS

EM 001819038-0008 \* 2/2011  
EM 008012314-0001 \* 6/2020

OTHER PUBLICATIONS

Wefaner Platform, available on amazon.com, date first available Jan. 13, 2019, [site visited Dec. 12, 2022], URL: <https://www.amazon.com/Non-Slip-Mobility-Step%E2%8C%9CLarge-Size%E2%8C%9CLightweight%E2%8C%9CSuitable-Children/dp/B07MK1YY87/> (Year: 2019).\*

(Continued)

*Primary Examiner* — Dana K Weiland  
*Assistant Examiner* — Emily Anna Saunders

(57) **CLAIM**

The ornamental design for a weight lifting platform, as shown and described.

**DESCRIPTION**

FIG. 1 is a front right perspective view of a weight lifting platform showing my new design;  
FIG. 2 is a bottom right perspective view thereof;  
FIG. 3 is a front elevational view thereof;  
FIG. 4 is a rear elevational view thereof;  
FIG. 5 is a left side elevational view thereof;  
FIG. 6 is a right side elevational view thereof;  
FIG. 7 is a top plan view thereof; and,  
FIG. 8 is a bottom plan view thereof.  
The evenly dashed broken lines depict portions of the weight lifting platform in which the design is embodied that form no part of the claimed design.  
The dot-dash broken lines are for defining the bounds of the claimed design only and form no part of the claimed design.

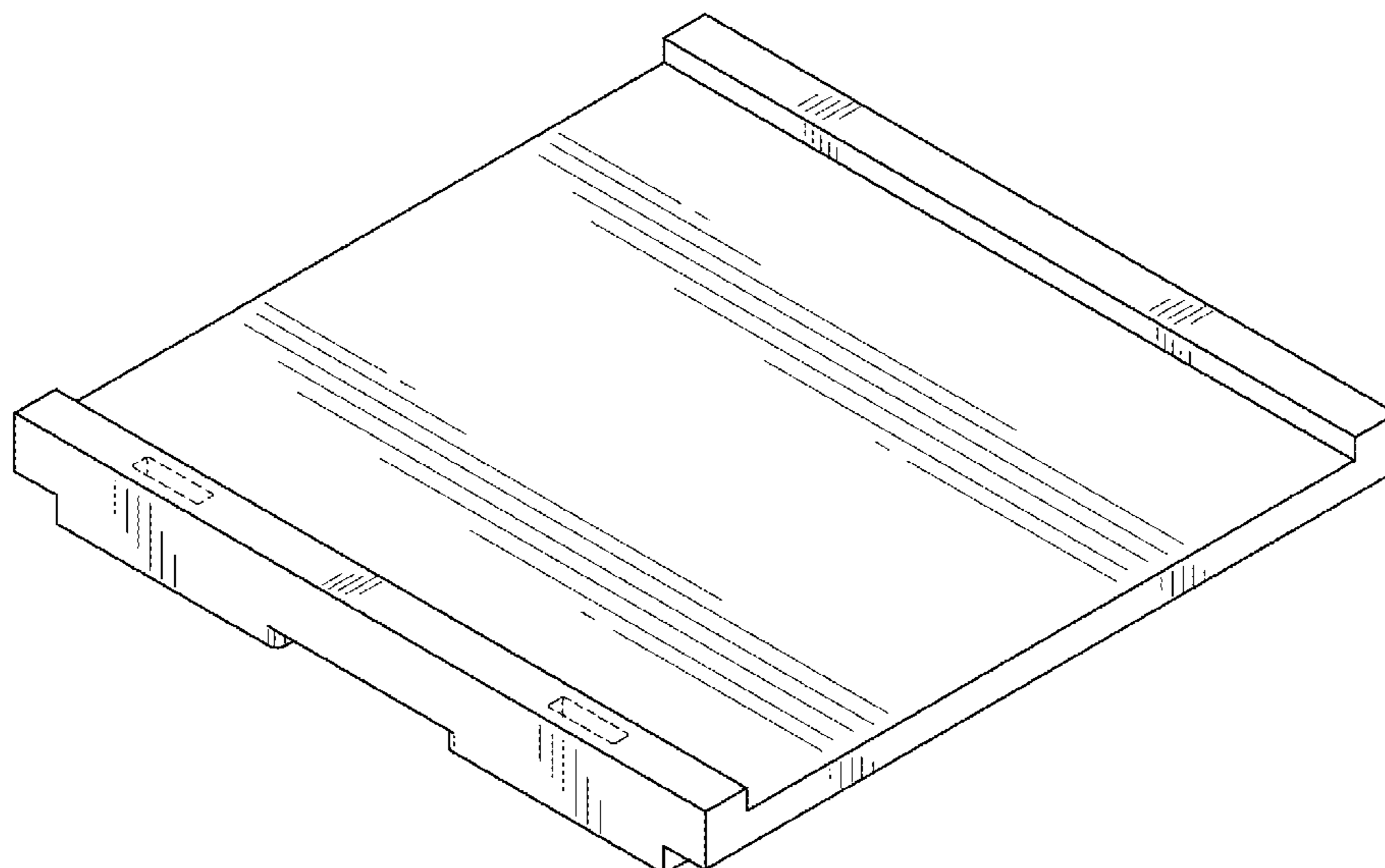
**1 Claim, 6 Drawing Sheets**

(22) Filed: **Dec. 22, 2020**  
(51) **LOC (14) Cl.** ..... **21-02**  
(52) **U.S. Cl.**  
USPC ..... **D21/686**  
(58) **Field of Classification Search**  
USPC ..... D21/662, 671, 676, 686, 687, 690, 694,  
D21/695, 801, 803, 484, 491; D6/406.1,  
D6/574, 691, 691.1, 707.19; D7/500,  
D7/550.1, 552.1, 552.2, 553.1, 553.2,  
D7/554.3, 354, 391, 629; D12/316, 317;  
D9/435, 436  
CPC . A63B 2071/027; A63B 21/00; A63B 21/078;  
A63B 21/4023; A63B 21/4029; A63B  
21/4031; B63C 1/02; B63C 1/04; B63B  
35/00; B63B 35/58; B63B 35/613  
See application file for complete search history.

(56) **References Cited**

U.S. PATENT DOCUMENTS

D173,318 S \* 10/1954 Levenhagen ..... D7/554.3  
D173,319 S \* 10/1954 Levenhagen ..... D7/554.3  
D176,580 S \* 1/1956 Umanoff ..... D6/707.19  
D223,403 S \* 4/1972 Smith ..... D3/304  
D224,751 S \* 9/1972 Propst ..... D7/554.3  
D299,395 S \* 1/1989 Osvold ..... D6/707.19  
D300,791 S \* 4/1989 Osvold ..... D6/707.19  
D371,177 S \* 6/1996 Efobi ..... D21/687  
D377,294 S \* 1/1997 Brady ..... D7/354  
D409,449 S \* 5/1999 Cornelissen ..... D7/553.4  
D414,644 S \* 10/1999 Hsu ..... D6/601  
D462,231 S \* 9/2002 Kari ..... D7/354  
D548,004 S \* 8/2007 Orr, Jr. .... D7/390



(56)

**References Cited**

U.S. PATENT DOCUMENTS

D666,878 S \* 9/2012 Siegel ..... D7/629  
D863,469 S \* 10/2019 Tartell ..... D21/686  
D954,865 S \* 6/2022 Tartell ..... D21/686  
D957,182 S \* 7/2022 Tuan ..... D7/391  
2021/0346750 A1 \* 11/2021 Reed, III ..... A63B 21/0552

OTHER PUBLICATIONS

The Step, available on amazon.com, date first available Sep. 16, 2003, [site visited Dec. 12, 2022], URL: <https://www.amazon.com/Step-Stackable-Aerobic-Platform-Non-Slip/dp/B000BO4MRC/> (Year: 2003).\*

Weightlifting Drop Pads, available on amazon.com, date first available Jul. 6, 2020, [site visited Dec. 12, 2022], URL: <https://www.amazon.com/Yes4All-Silencer-Weightlifting-Cover-Handles/dp/B08CDNFJB9/> (Year: 2020).\*

Clench Fitness Footplate, available on youtube.com, date posted Mar. 5, 2022, [site visited Dec. 12, 2022], URL: <https://www.youtube.com/watch?v=Gnc9HMnsW9s> (Year: 2022).\*

\* cited by examiner

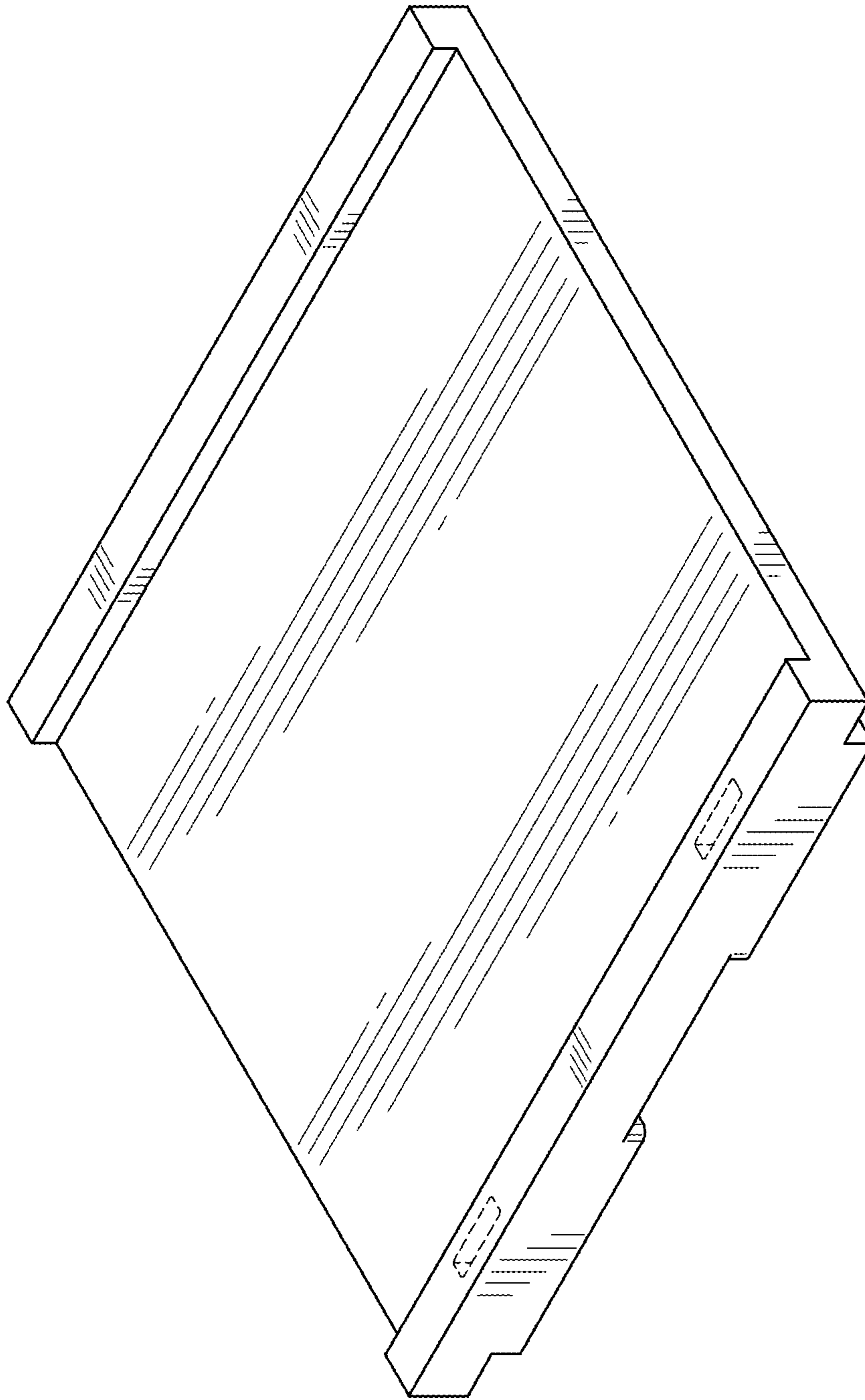


FIG. 1

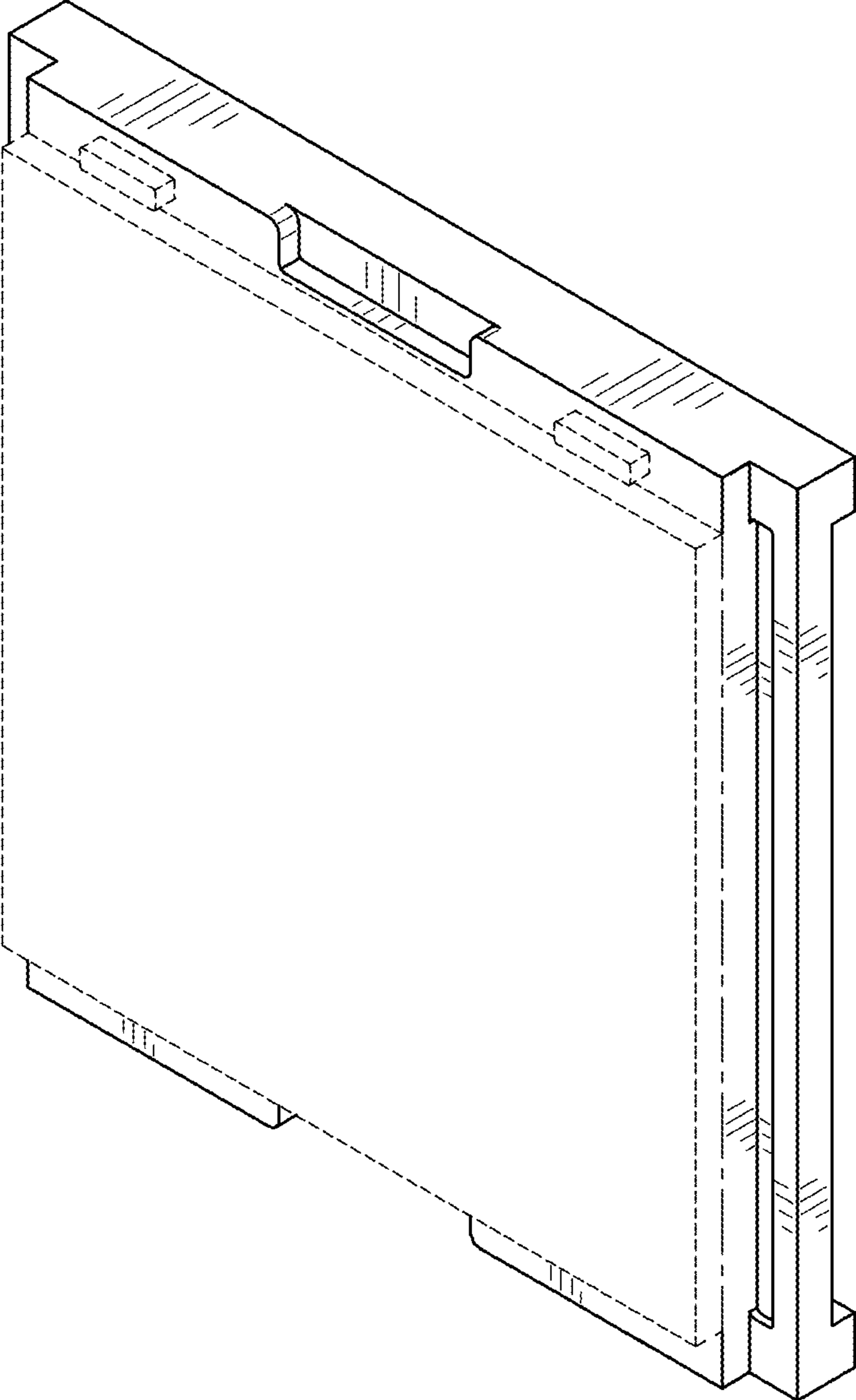


FIG.2

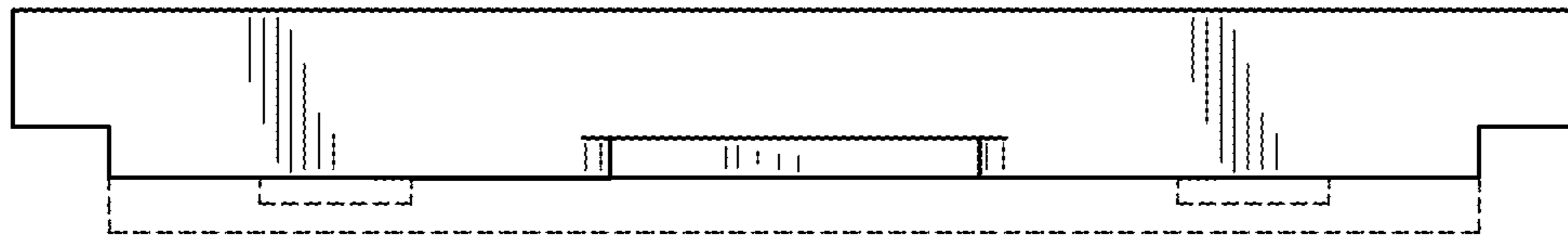


FIG.3

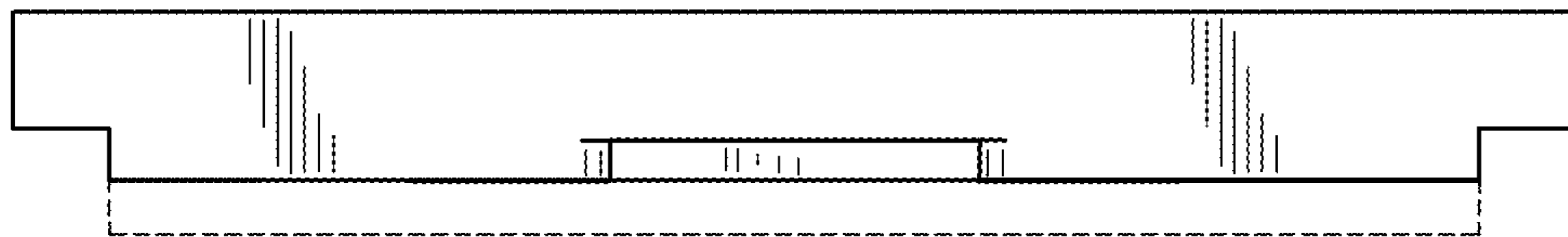


FIG.4

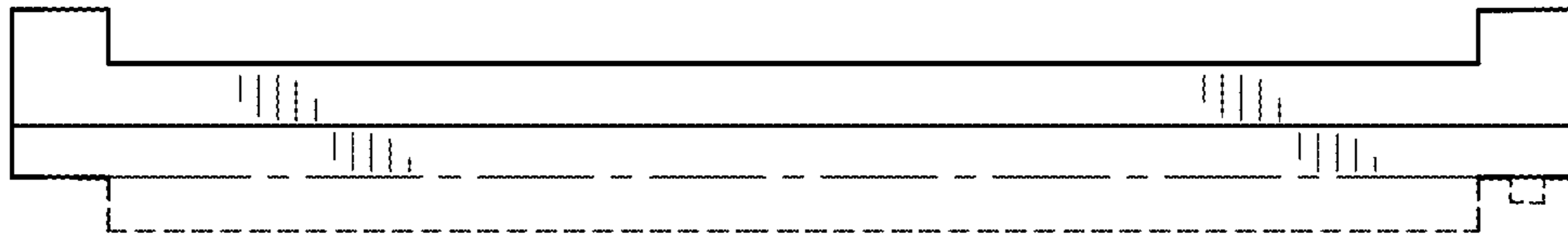


FIG. 5

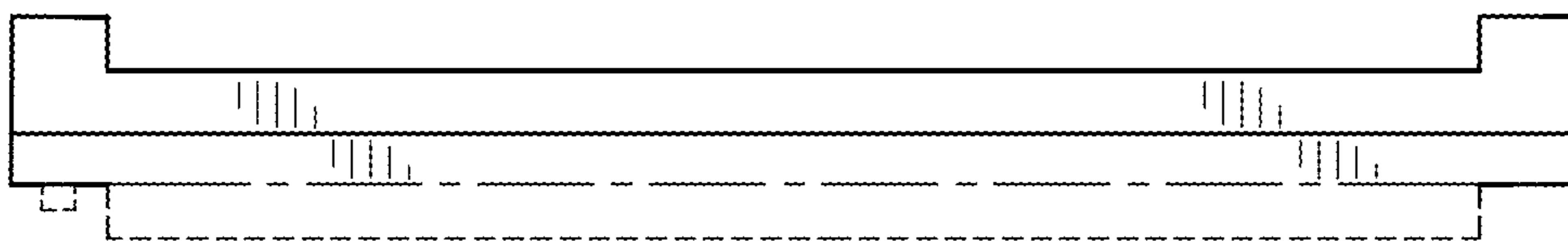


FIG. 6



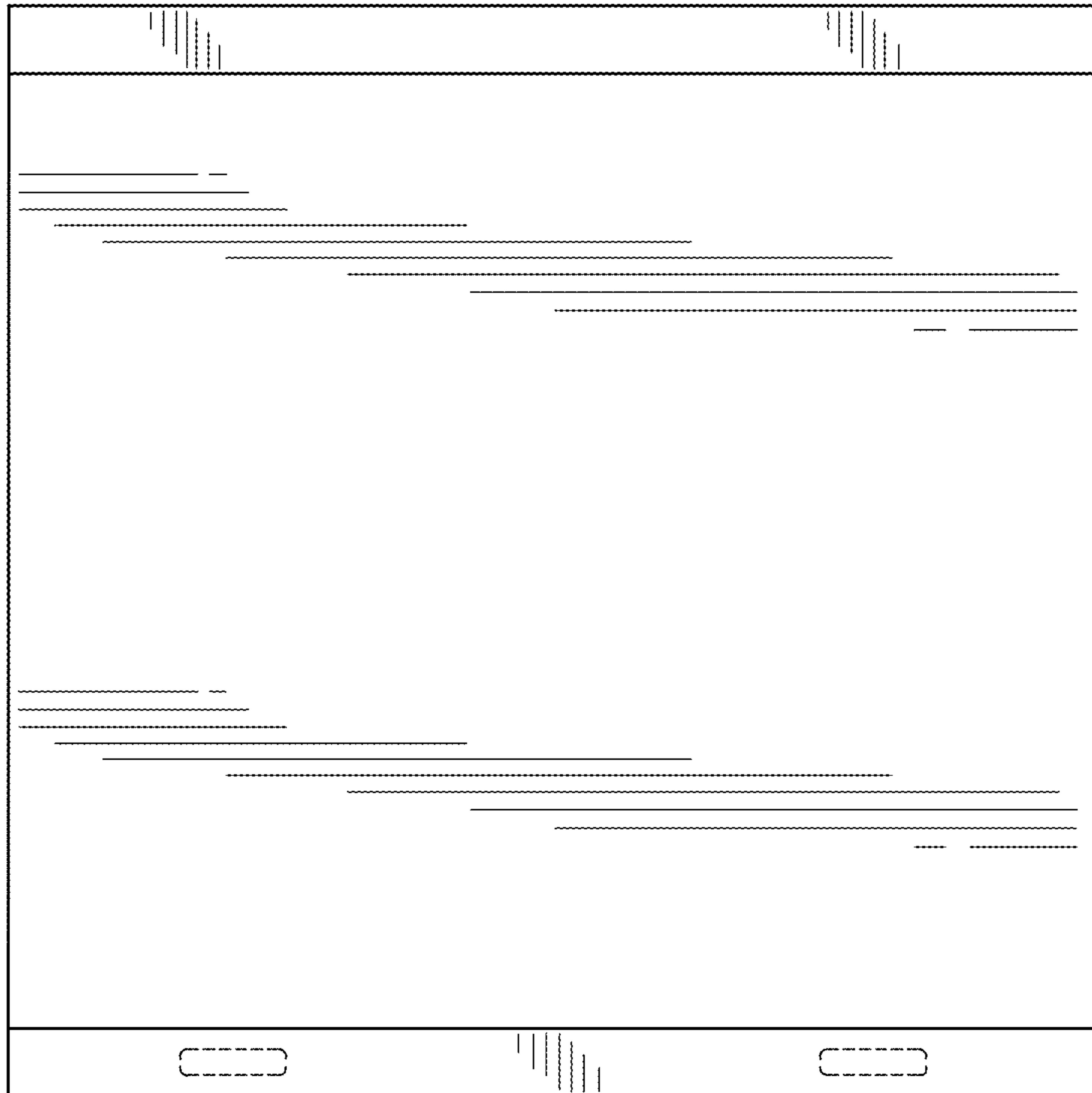


FIG. 7

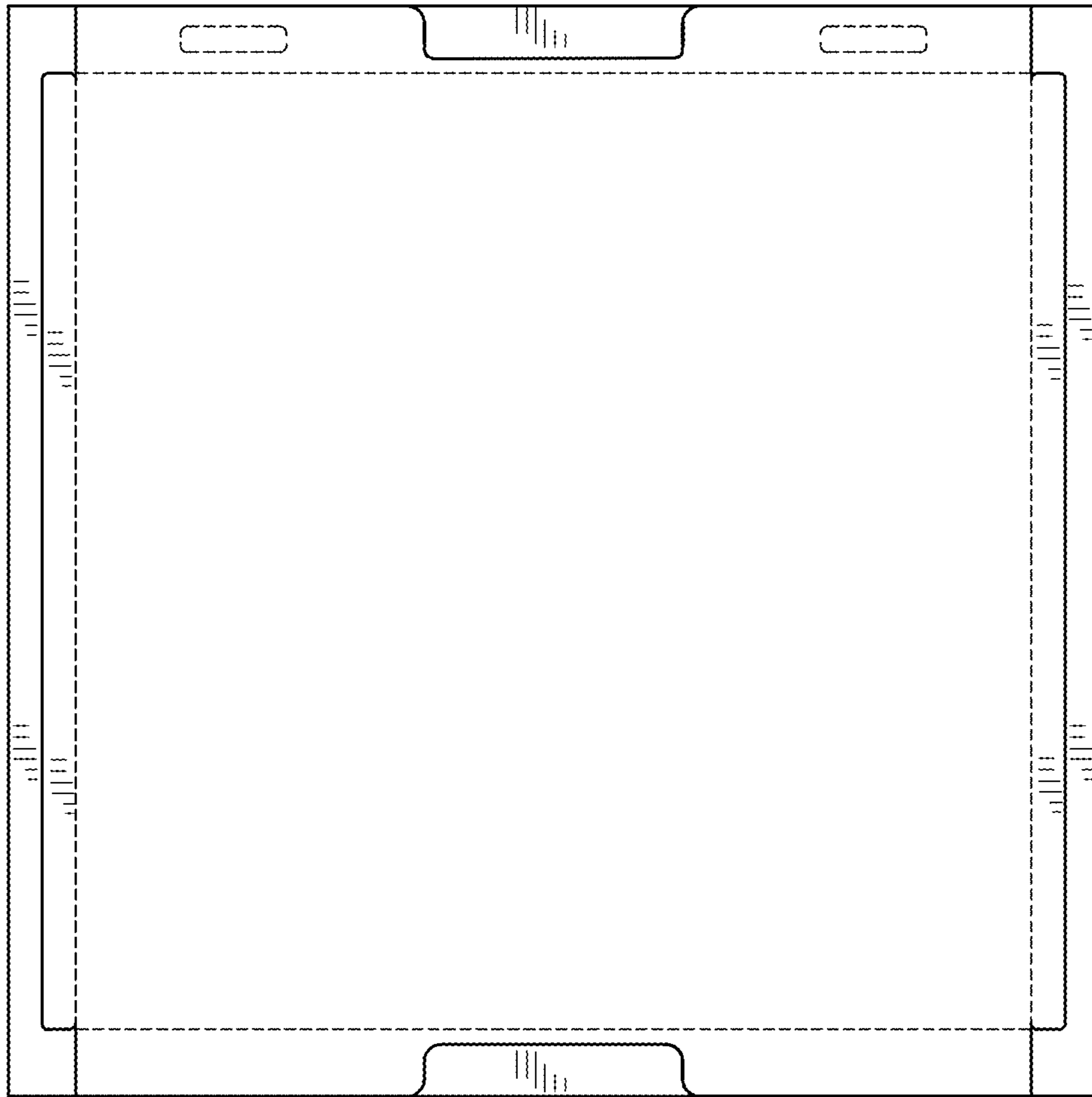


FIG.8