



US00D984564S

(12) **United States Design Patent**
Wang

(10) **Patent No.:** **US D984,564 S**

(45) **Date of Patent:** **** Apr. 25, 2023**

(54) **DUMBBELL WEIGHT PLATE**

(71) Applicant: **Yiwu Feier Sports Goods Co., Ltd.**,
Zhejiang (CN)

(72) Inventor: **Tianyi Wang**, Zhejiang (CN)

(73) Assignee: **Yiwu Feier Sports Goods Co., Ltd.**,
Zhejiang (CN)

(**) Term: **15 Years**

(21) Appl. No.: **29/814,426**

(22) Filed: **Nov. 5, 2021**

(30) **Foreign Application Priority Data**

Oct. 29, 2021 (CN) 202130712586.5

(51) **LOC (14) Cl.** **21-02**

(52) **U.S. Cl.**
USPC **D21/680**

(58) **Field of Classification Search**
USPC D21/662, 680, 681, 684, 675, 677, 694;
D9/63, 780, 452, 450, 454, 435
See application file for complete search history.

(56) **References Cited**

U.S. PATENT DOCUMENTS

D433,721 S *	11/2000	Rojas	D21/680
D439,290 S *	3/2001	Rojas	D21/680
D442,654 S *	5/2001	Buchanan	D21/680
D463,001 S *	9/2002	Buchanan	D21/680
D474,517 S *	5/2003	Harms	D21/680
D562,415 S *	2/2008	Xu	D21/680
D606,133 S *	12/2009	Lien	D21/681
D658,729 S *	5/2012	McLoughney	D21/684
D695,128 S *	12/2013	Ozsinmaz	D9/668
D733,813 S *	7/2015	Schauenburg	D21/662

D751,157 S *	3/2016	Irwin	D21/680
2006/0073948 A1 *	4/2006	Lincir	A63B 21/06 482/106
2007/0135271 A1 *	6/2007	Lien	A63B 21/0724 482/93

OTHER PUBLICATIONS

Ritfit, announced 2020 [online], [site visited Jan. 3, 2023]. Available on internet, URL: <https://www.amazon.com/RitFit-Barbell-2-inch-Olympic-Weight/dp/B086KXF3XM/ref> (Year: 2020).*

* cited by examiner

Primary Examiner — Khawaja Anwar

Assistant Examiner — Julice Seung Eun Oum

(74) *Attorney, Agent, or Firm* — ScienBiziP, P.C.

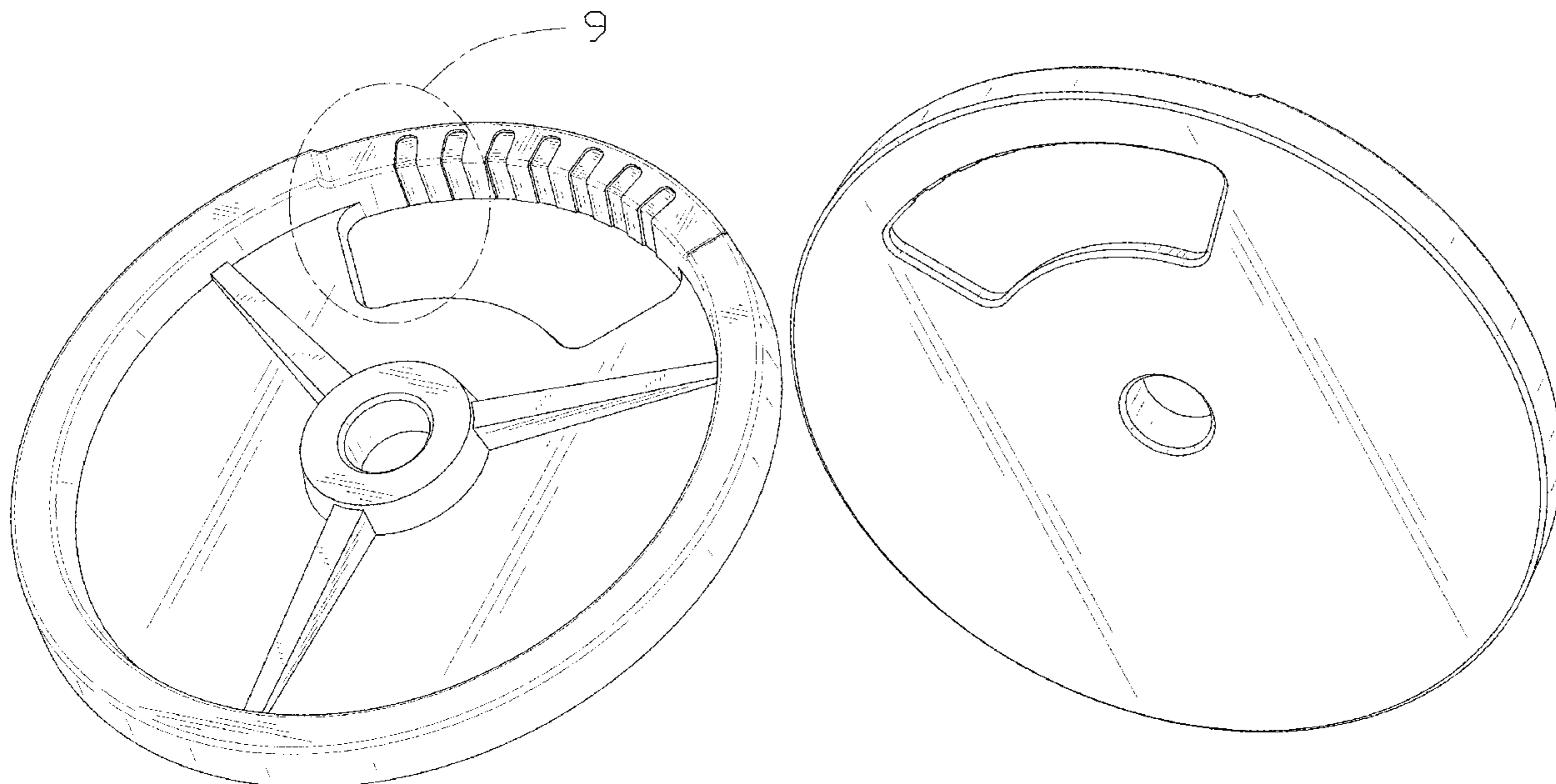
(57) **CLAIM**

The ornamental design for a dumbbell weight plate, as shown and described.

DESCRIPTION

FIG. 1 is a front, right, and top perspective view of a dumbbell weight plate, showing my design.
FIG. 2 is a rear, left, and bottom perspective view thereof.
FIG. 3 is a front elevation view thereof.
FIG. 4 is a rear elevation view thereof.
FIG. 5 is a left side elevation view thereof.
FIG. 6 is a right side elevation view thereof.
FIG. 7 is a top plan view thereof; and,
FIG. 8 is a bottom plan view thereof.
FIG. 9 is a partial enlarged view of an area labeled 9 in FIG. 1 comprising at least one groove of a handle.

1 Claim, 9 Drawing Sheets



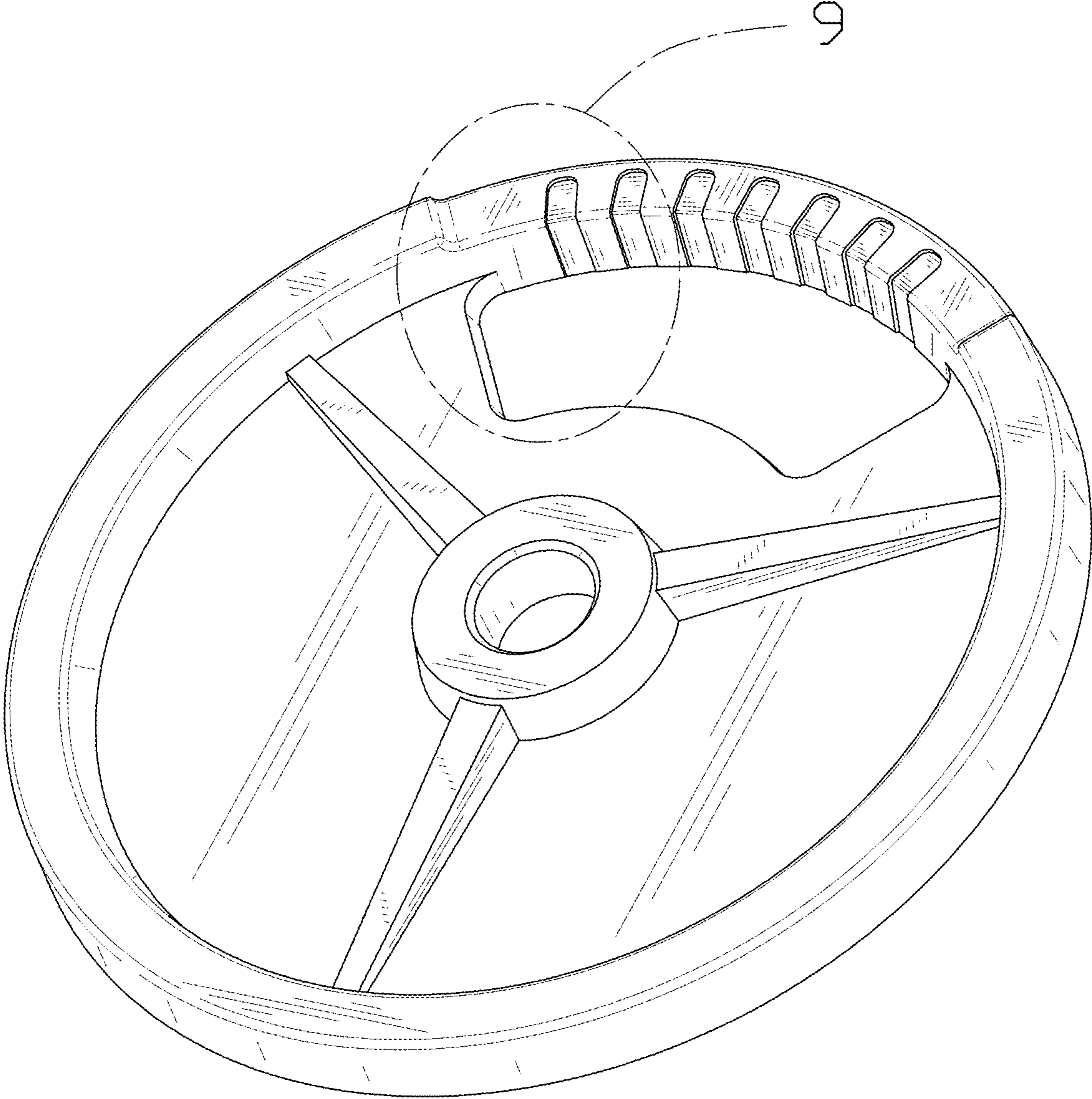


FIG. 1

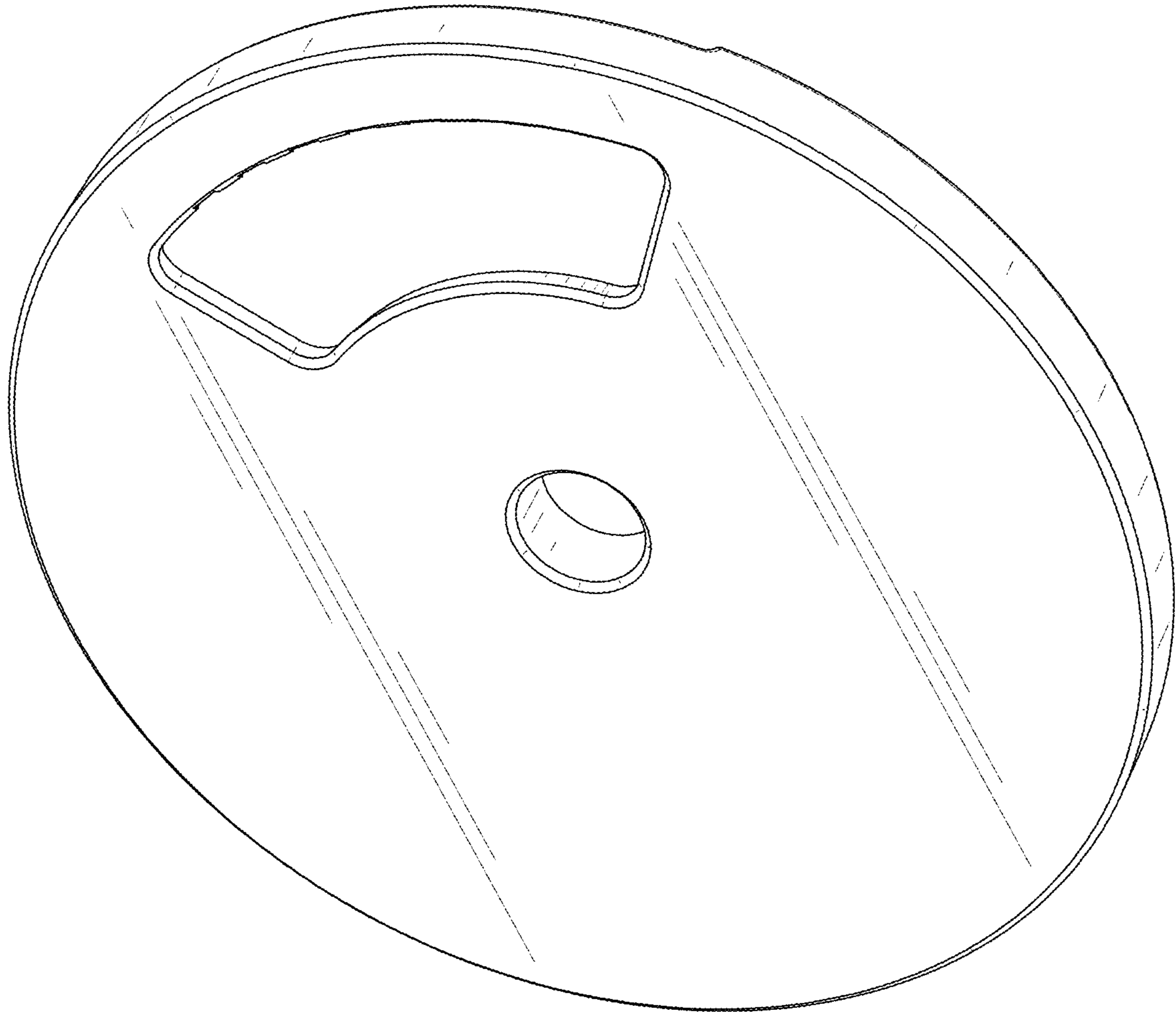


FIG. 2

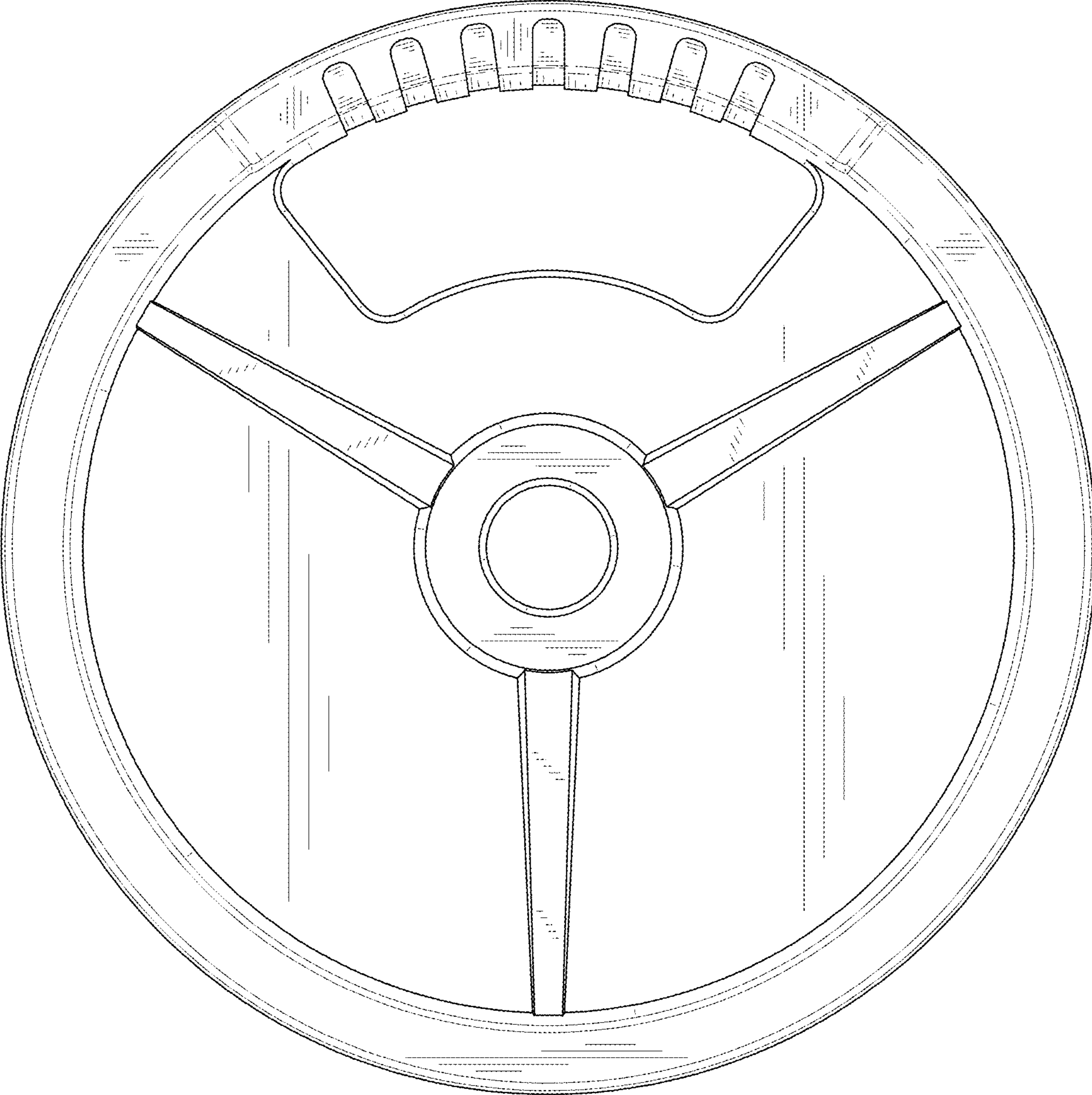


FIG. 3

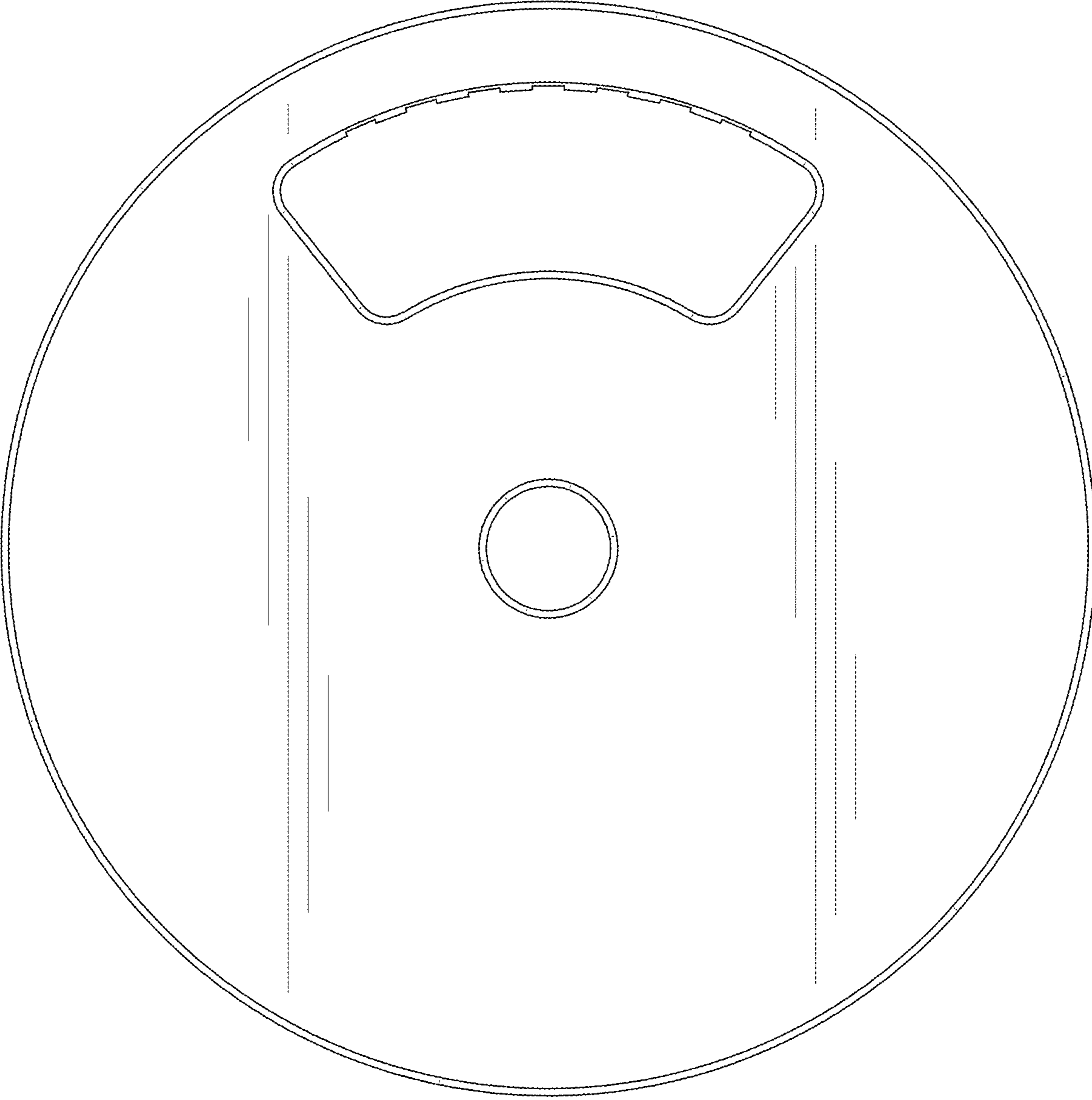


FIG. 4

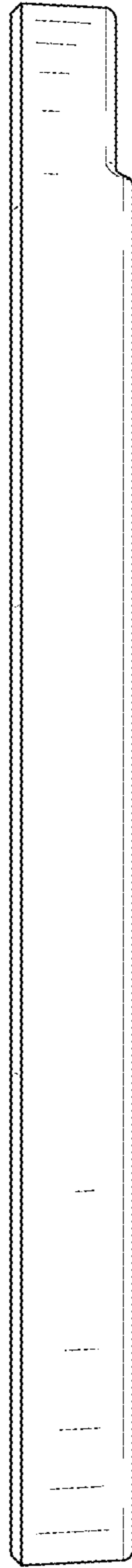


FIG. 5

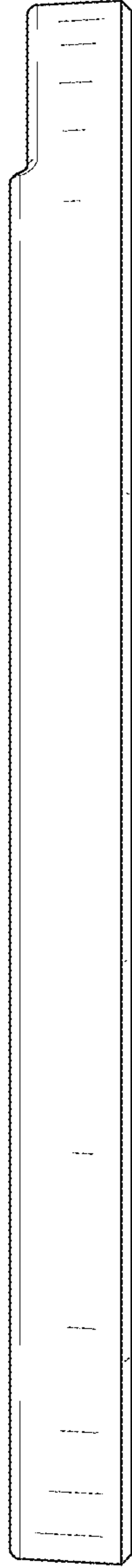


FIG. 6

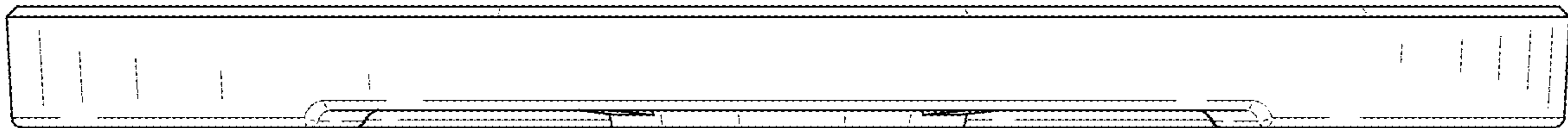


FIG. 7

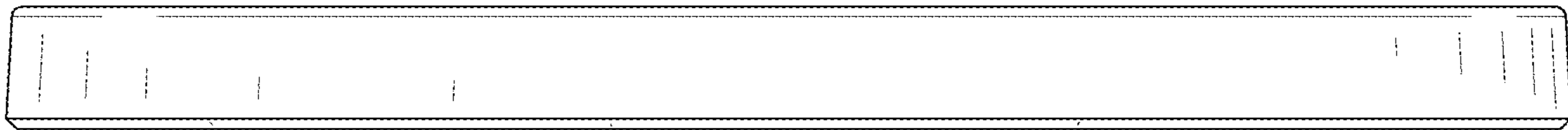


FIG. 8

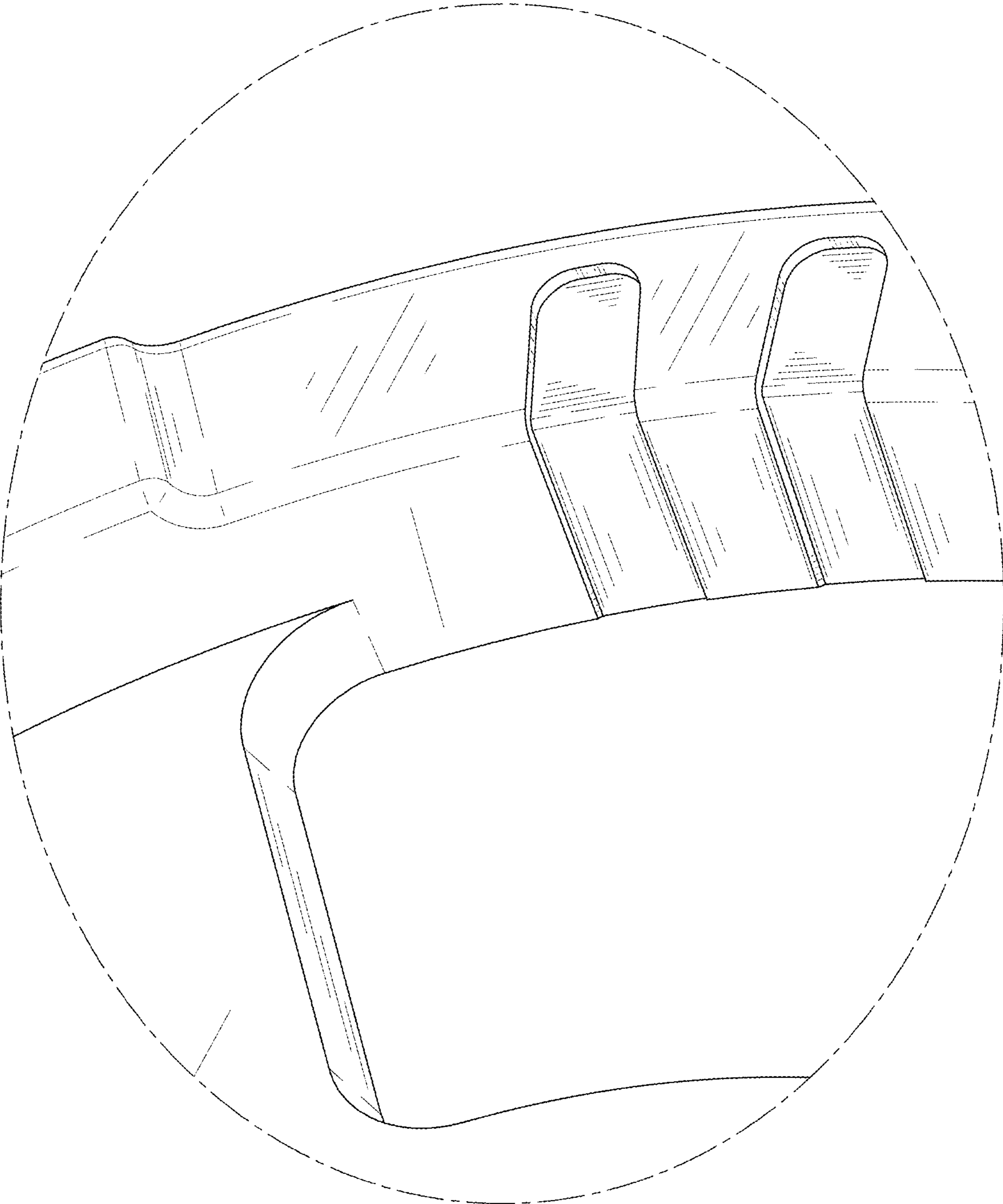


FIG. 9