



US00D984562S

(12) **United States Design Patent**
Kwon et al.

(10) **Patent No.:** **US D984,562 S**
(45) **Date of Patent:** **** Apr. 25, 2023**

- (54) **ROWING MACHINE**
- (71) Applicant: **Hydrow, Inc.**, Cambridge, MA (US)
- (72) Inventors: **Taehak Kwon**, Brookline, MA (US);
Julianna Miller, Boston, MA (US)
- (73) Assignee: **Hydrow, Inc.**, Boston, MA (US)
- (**) Term: **15 Years**
- (21) Appl. No.: **29/750,571**
- (22) Filed: **Sep. 15, 2020**

D367,508 S * 2/1996 Dreissigacker D21/674
 5,707,322 A 1/1998 Dreissigacker et al.
 5,865,713 A * 2/1999 Hsu A63B 23/03566
 482/72
 6,695,332 B1 2/2004 Kang
 (Continued)

FOREIGN PATENT DOCUMENTS

AU 202014322 S 8/2020
 AU 202112463 S 4/2021
 (Continued)

OTHER PUBLICATIONS

Eurasian Preliminary Examination Report in Eurasian Application
 No. 006039020-0001 dated Jan. 24, 2019, 5 pages.
 (Continued)

Primary Examiner — Ryan Harvey
 (74) *Attorney, Agent, or Firm* — Fish & Richardson P.C.

(57) **CLAIM**

The ornamental design for a rowing machine, as shown and described.

DESCRIPTION

FIG. 1 is a front perspective view of a rowing machine.
 FIG. 2 is a front view of the rowing machine of FIG. 1.
 FIG. 3 is a back view of the rowing machine of FIG. 1.
 FIG. 4 is a right side view of the rowing machine of FIG. 1.
 FIG. 5 is a left side view of the rowing machine of FIG. 1.
 FIG. 6 is a top view of the rowing machine of FIG. 1.
 FIG. 7 is a bottom view of the rowing machine of FIG. 1;
 and,
 FIG. 8 is a back perspective view of the rowing machine of
 FIG. 1.
 The broken lines illustrate environmental features that form
 no part of the claimed design.

1 Claim, 8 Drawing Sheets

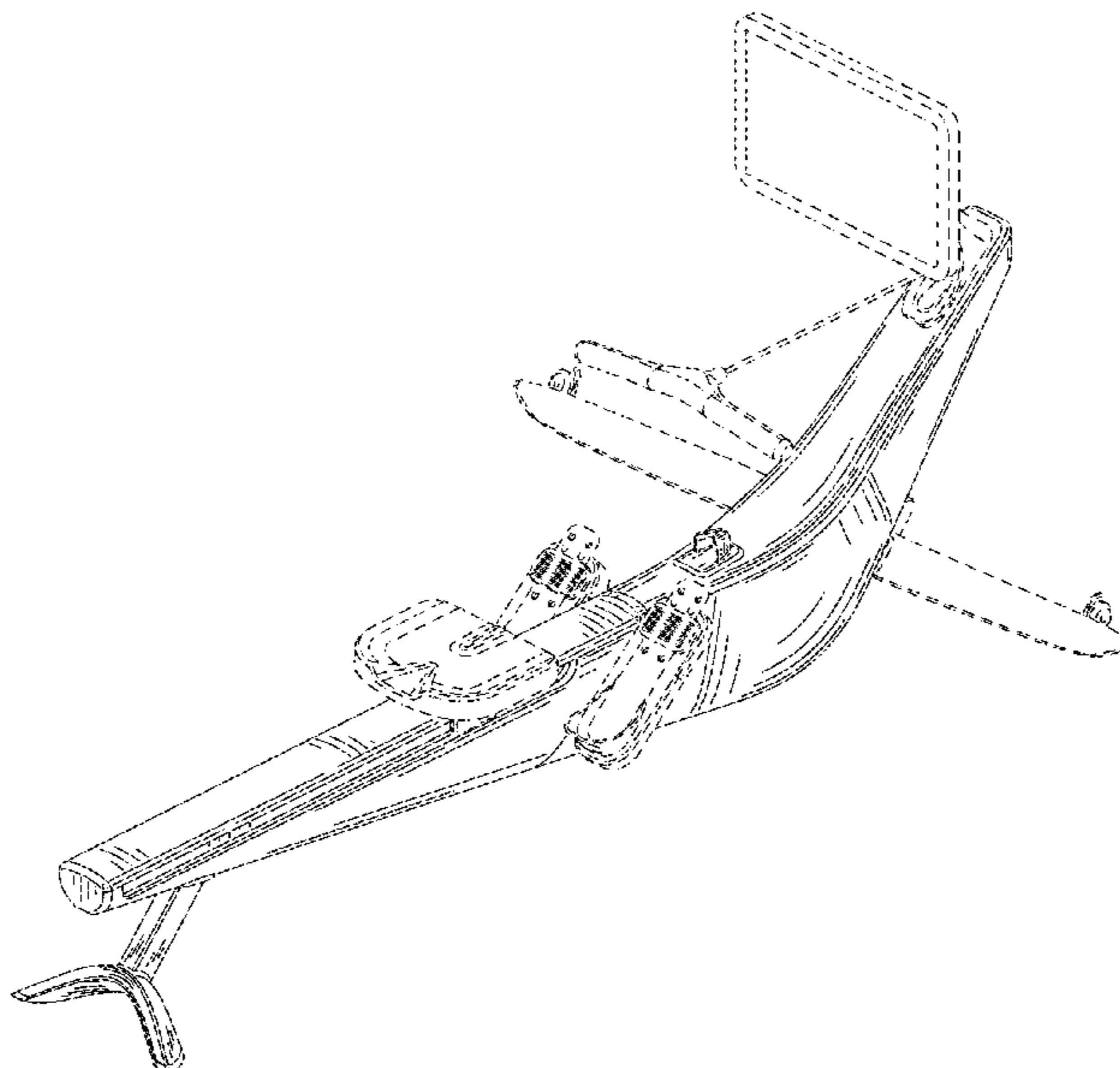
Related U.S. Application Data

- (63) Continuation of application No. 29/656,695, filed on
Jul. 16, 2018, now Pat. No. Des. 898,843.
- (51) **LOC (14) Cl.** **21-02**
- (52) **U.S. Cl.**
USPC **D21/674**
- (58) **Field of Classification Search**
USPC D21/673, 674, 662, 694, 695, 676, 663,
D21/665, 688; 472/72, 73, 4, 96, 9, 95,
472/140
CPC A63B 22/0076; A63B 2022/0079; A63B
2022/0084; A63B 21/225; A63B 22/0089;
A63B 21/068; A63B 69/06
See application file for complete search history.

(56) **References Cited**

U.S. PATENT DOCUMENTS

4,396,188 A * 8/1983 Dreissigacker A63B 22/0076
482/110
 4,798,378 A 1/1989 Jonas
 4,880,224 A 11/1989 Jonas
 D324,709 S 3/1992 Lehtonen
 5,122,105 A 6/1992 Engel
 D337,799 S * 7/1993 Cutter D21/666
 D358,855 S * 5/1995 Wang D21/674



(56)

References Cited

U.S. PATENT DOCUMENTS

6,991,589 B1* 1/2006 Patterson A63B 21/0088
482/142
D609,288 S 2/2010 Khubani
D632,746 S 2/2011 Wu
D691,672 S 10/2013 Nichols et al.
D691,678 S 10/2013 Cardillo
D712,493 S 9/2014 Ercanbrack et al.
D741,420 S* 10/2015 Campanaro D21/674
D741,960 S 10/2015 Campanaro et al.
D788,861 S* 6/2017 Campanaro D21/674
9,750,972 B1* 9/2017 Liu A63B 22/20
9,901,768 B1 2/2018 Wu
D839,530 S 2/2019 Brunner et al.
D844,074 S* 3/2019 Haquet D21/662
D861,805 S 10/2019 Lisi et al.
10,471,297 B1* 11/2019 Smith A63B 22/0087
10,596,408 B2* 3/2020 Stepanian A63B 21/4035
D898,843 S* 10/2020 Kwon D21/674
10,828,531 B1* 11/2020 Smith A63B 71/0619
D921,775 S 6/2021 Wu
D922,503 S 6/2021 Wu
D923,119 S* 6/2021 Hsieh D21/674
11,083,930 B1* 8/2021 Tipple A63B 22/0076
D936,160 S* 11/2021 Blum D21/674
11,400,345 B2 8/2022 Gore
2003/0216227 A1* 11/2003 Smith A63B 22/0076
482/72
2004/0248713 A1 12/2004 Campanaro et al.
2005/0085348 A1 4/2005 Kiefer et al.
2005/0277521 A1 12/2005 Lat
2006/0009335 A1 1/2006 Smith et al.
2006/0189455 A1 8/2006 Yang
2007/0082793 A1 4/2007 Yang
2008/0261782 A1 10/2008 Campbell
2009/0163323 A1 6/2009 Bocchicchio
2011/0028278 A1 2/2011 Roach
2011/0152041 A1 6/2011 Francis
2011/0082015 A1 7/2011 Dreissigacker et al.
2012/0225753 A1* 9/2012 Lim H04B 7/024
482/4
2013/0109538 A1 5/2013 Ho
2013/0150216 A1 6/2013 Bell et al.
2014/0370767 A1 12/2014 Kachkovsky
2016/0001123 A1 1/2016 Parrish, Jr.
2016/0144223 A1 5/2016 Dalebout et al.
2017/0014669 A1 1/2017 Hall

2017/0043208 A1* 2/2017 Lonergan A63B 22/0087
2018/0056117 A1 3/2018 Hamilton
2018/0126216 A1 5/2018 Hamilton et al.
2018/0169463 A1 6/2018 Ellis et al.
2018/0272182 A1 9/2018 Hou et al.
2019/0126099 A1 5/2019 Hoang
2019/0192899 A1* 6/2019 Dubin A63B 22/0046
2019/0201740 A1* 7/2019 Robert A63B 1/00
2020/0001130 A1 1/2020 Schwarz
2020/0023231 A1* 1/2020 Hsieh A63B 1/00
2020/0269085 A1 8/2020 Pfaff
2020/0376328 A1 12/2020 Smith et al.
2020/0384305 A1 12/2020 Hsieh et al.
2021/0101047 A1* 4/2021 Chang A63B 22/0076
2021/0101052 A1* 4/2021 Gore A63B 21/4035
2021/0121735 A1* 4/2021 Chou A63B 22/0076
2021/0170221 A1* 6/2021 Hsu A63B 21/0084
2021/0244996 A1* 8/2021 Gearon A63B 69/06
2021/0275858 A1* 9/2021 Ross A63B 22/0087

FOREIGN PATENT DOCUMENTS

AU	202113973 S	7/2021
CN	306672101 S	7/2021
GB	6119621 S	2/2021
KR	3005472670000	12/2009
TW	D200907 S	1/2019

OTHER PUBLICATIONS

Taiwanese Notice of Allowance in Taiwanese Application No. 108300308, dated Jul. 8, 2019, 15 pages with English Translation. USPTO Transaction History for U.S. Appl. No. 29/656,695, downloaded on Sep. 17, 2019.
Amazon.com [online] "Bluefin Fitness Rower Machine Blade Home Gym Foldable Magnetic Resistance Rower 8 x Tension levels Smartphone App," Oct. 2019, retrieved on Aug. 25, 2022, retrieved from URL<<https://www.amazon.com/Bluefin-Fitness-Foldable-Resistance-Smartphone/dp/BSRVFPDF/ref>>, 10 pages.
Amazon.com [online] "Echelon Smart Rowing Machine +30 Day Free Echelon Membership," Aug. 2020, retrieved on Aug. 25, 2022, retrieved from URL<<https://www.amazon.com/dp/BO8BQS7PKY/ref>>, 7 pages.
Amazon.com [online] "NordicTrack Smart Rower with Touchscreen and 30-Day iFIT Family Membership," Apr. 2021, retrieved on Aug. 25, 2022, retrieved from URL<<https://www.amazon.com/NordicTrack-Upgraded-Touchscreen-30-Day-Membership/dp/B0935VVXGDK/ref>>, 7 pages.

* cited by examiner

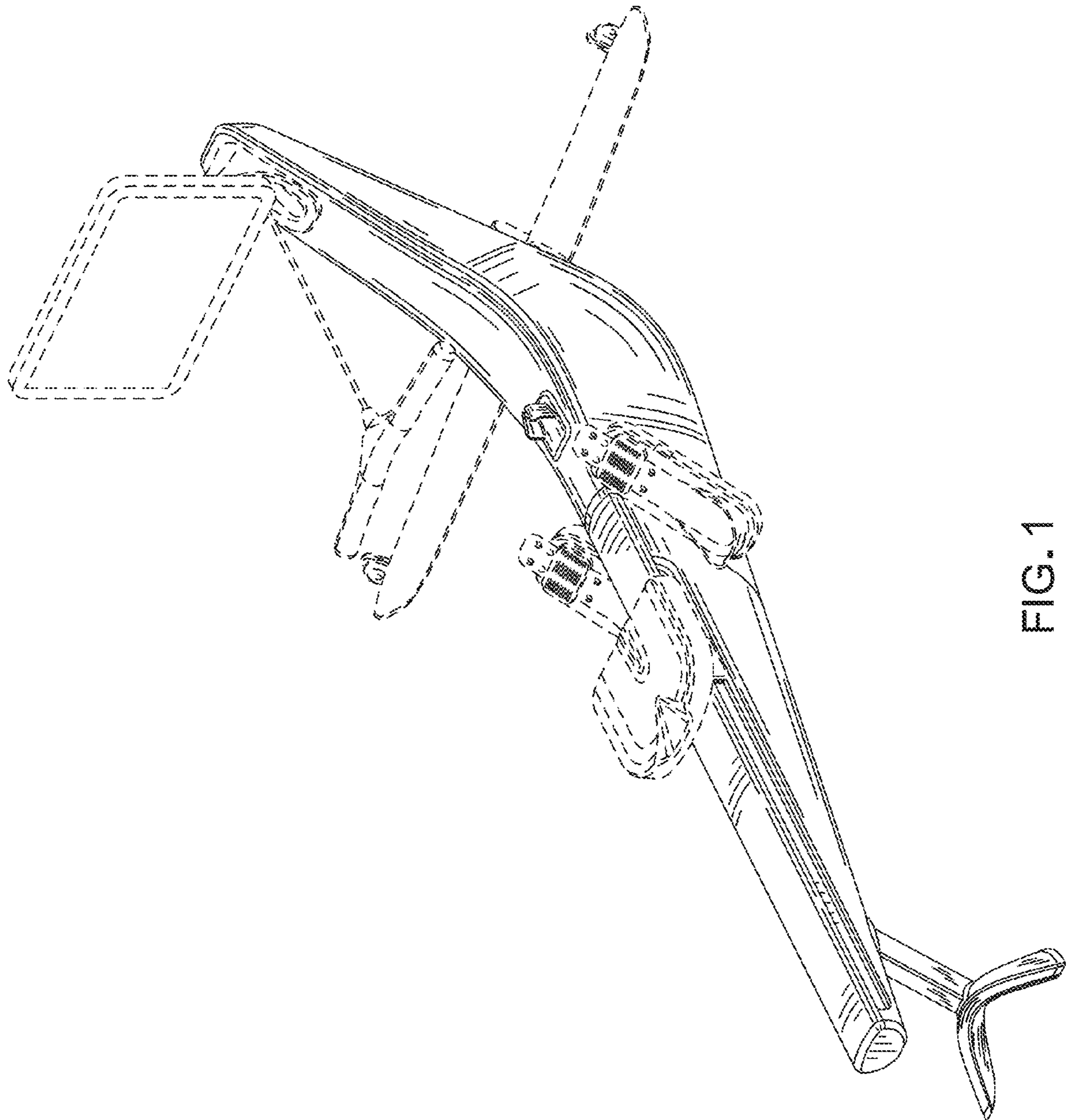


FIG. 1

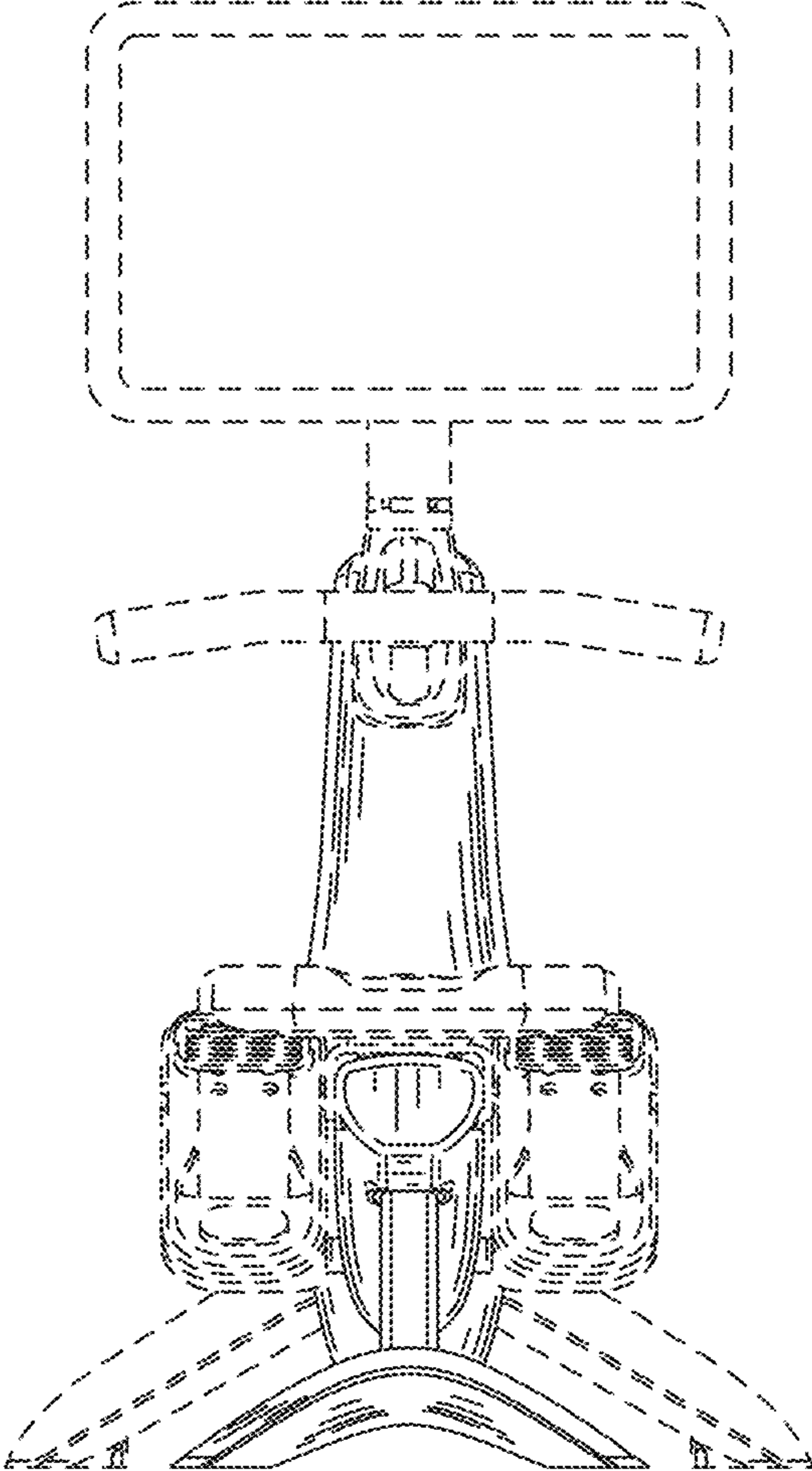


FIG. 2

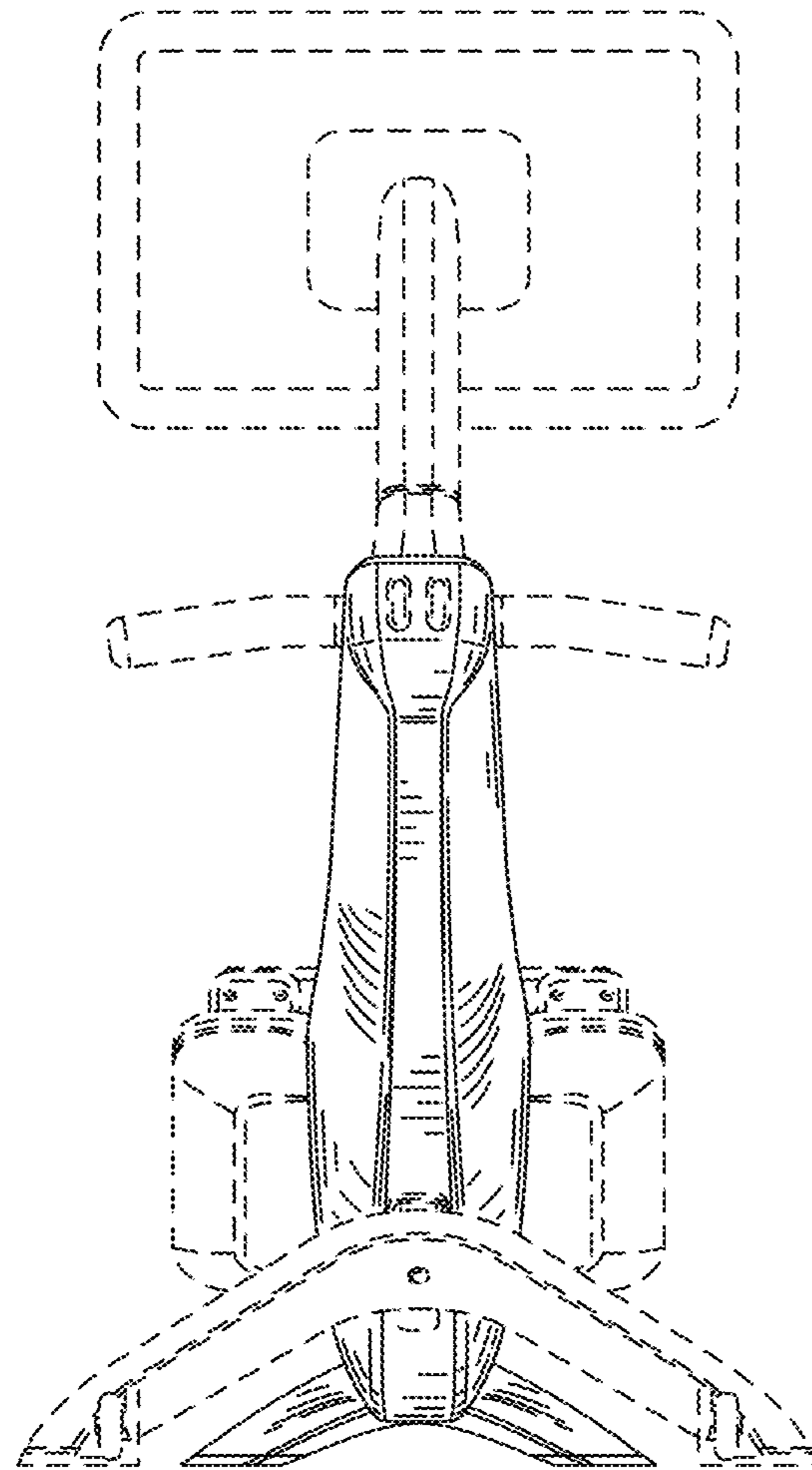


FIG. 3

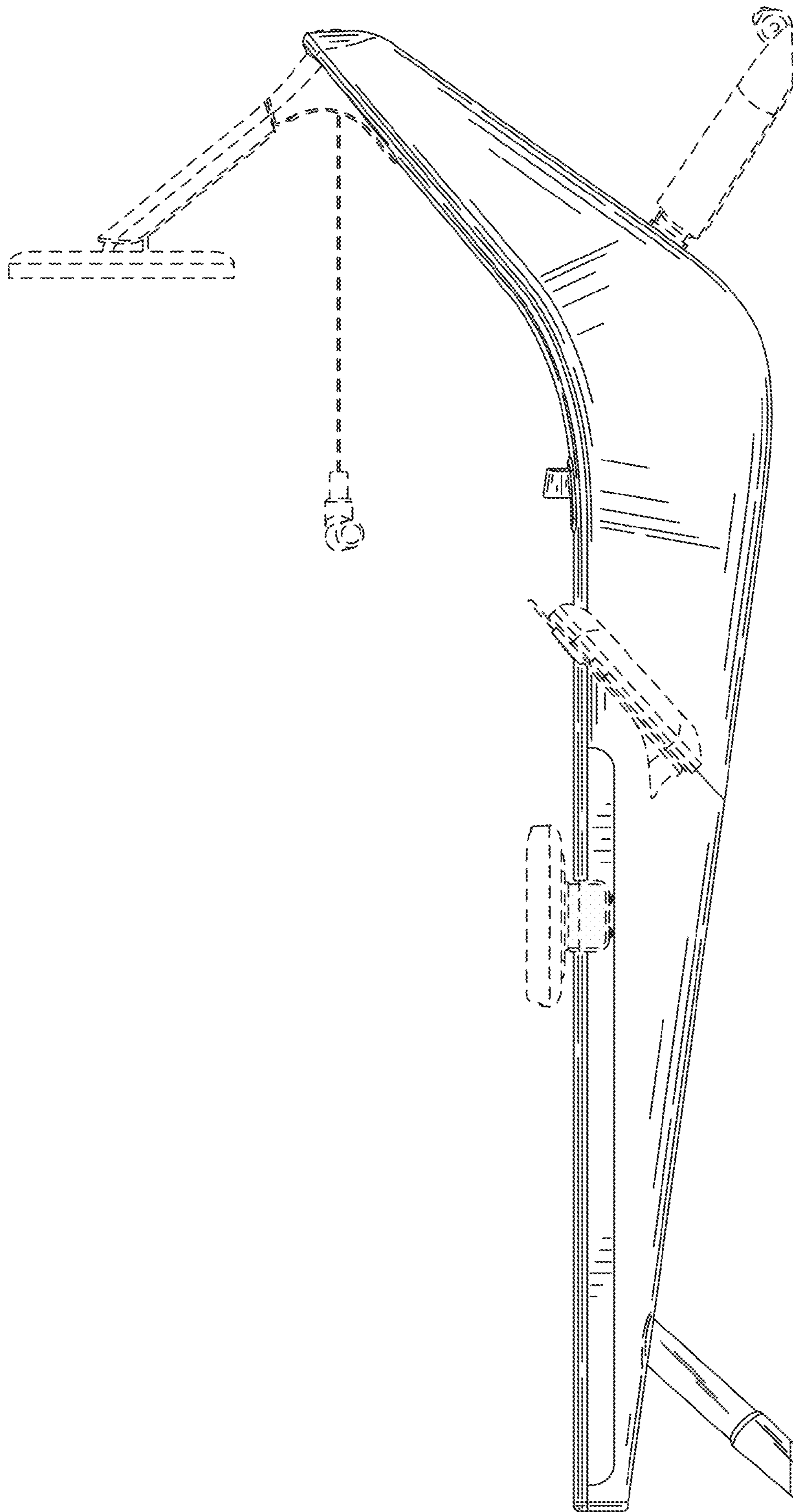


FIG. 4

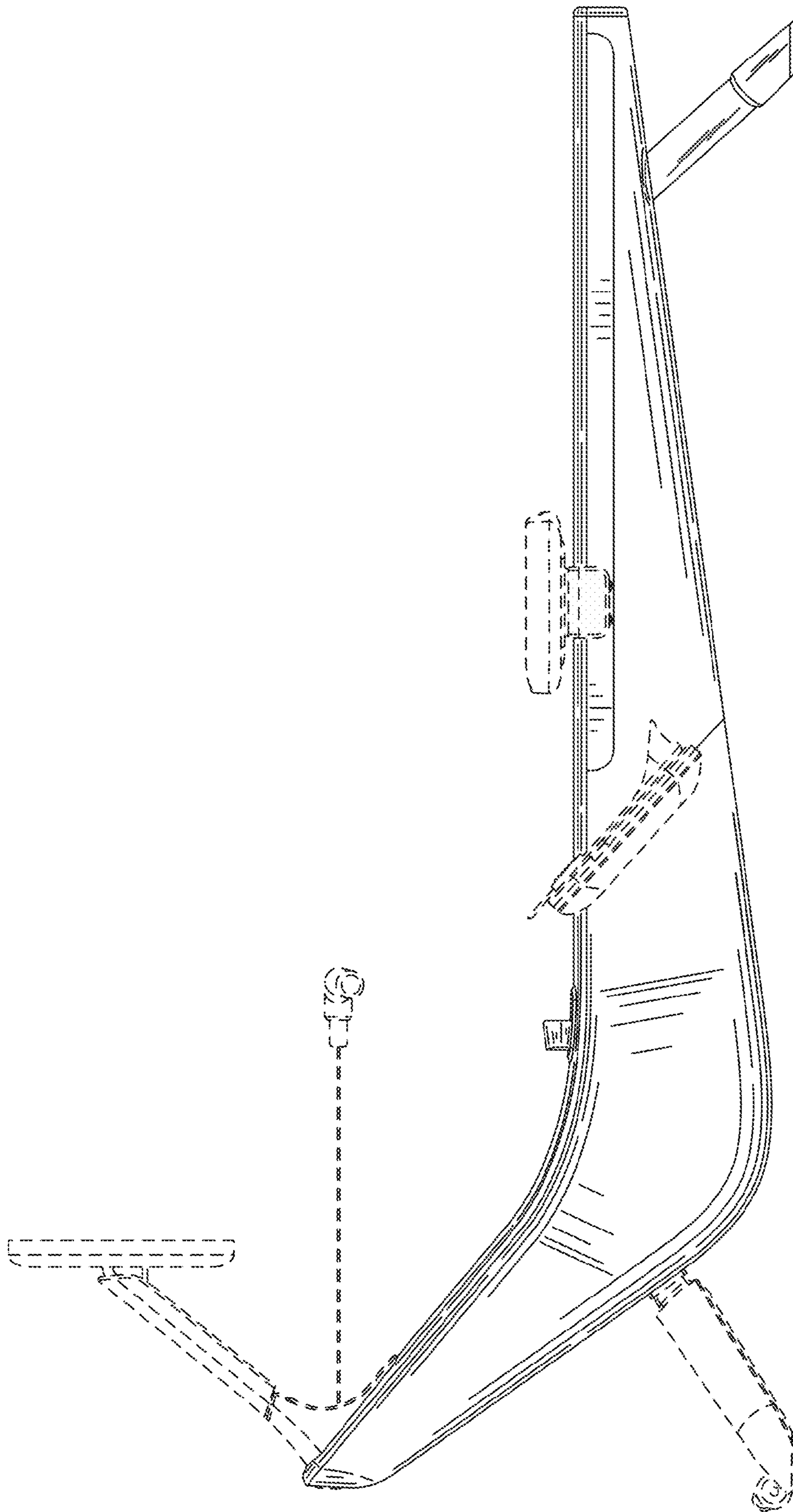


FIG. 5

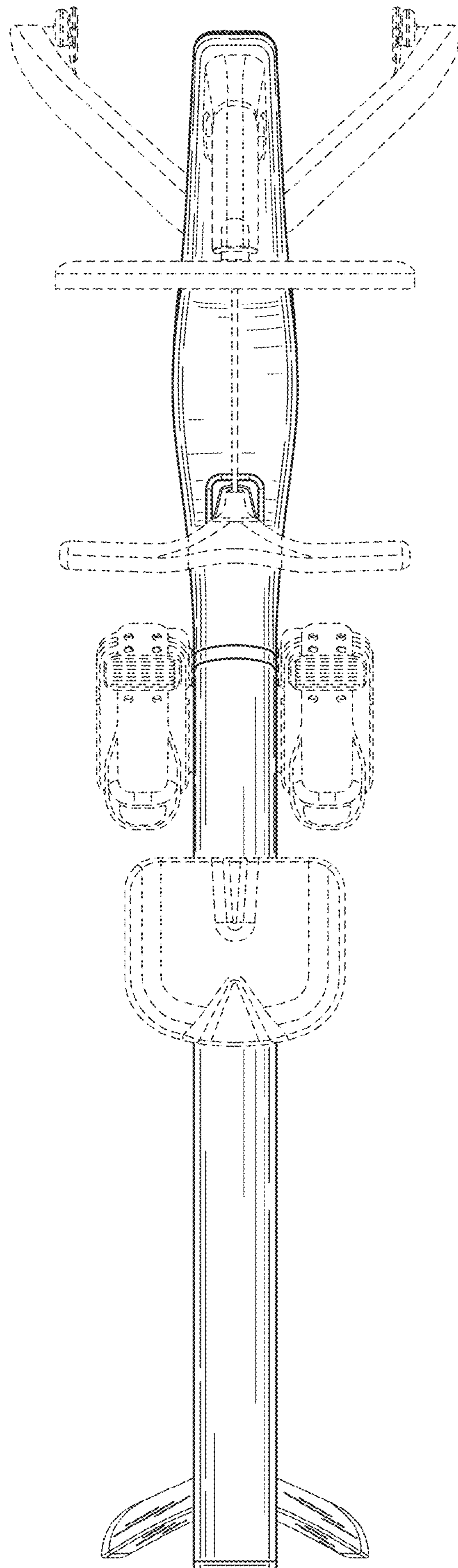


FIG. 6

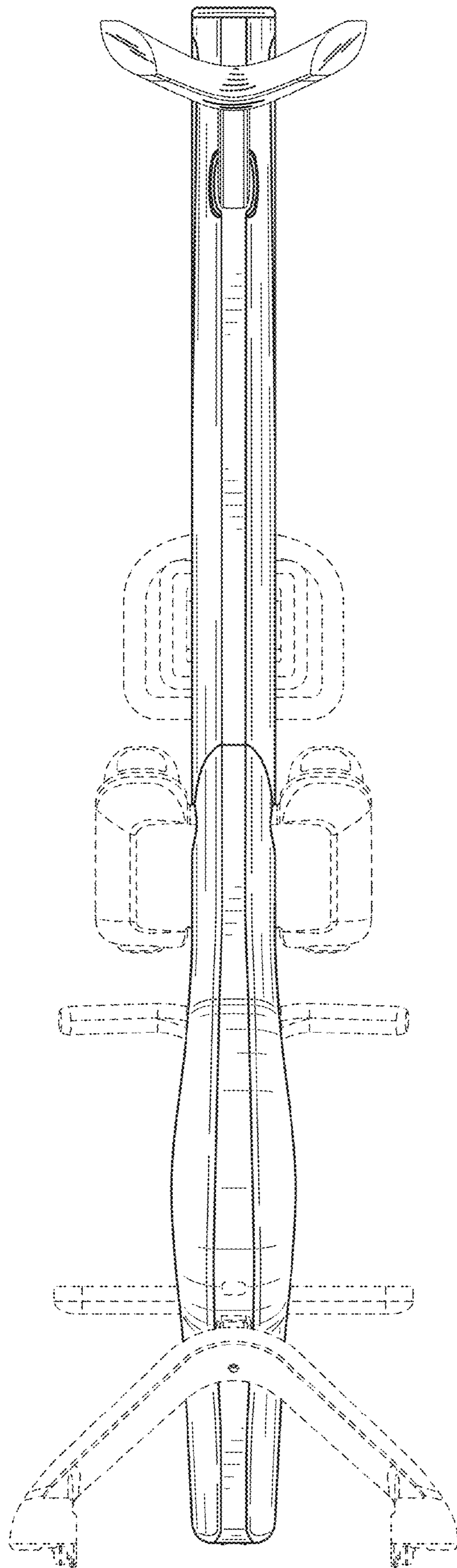


FIG. 7

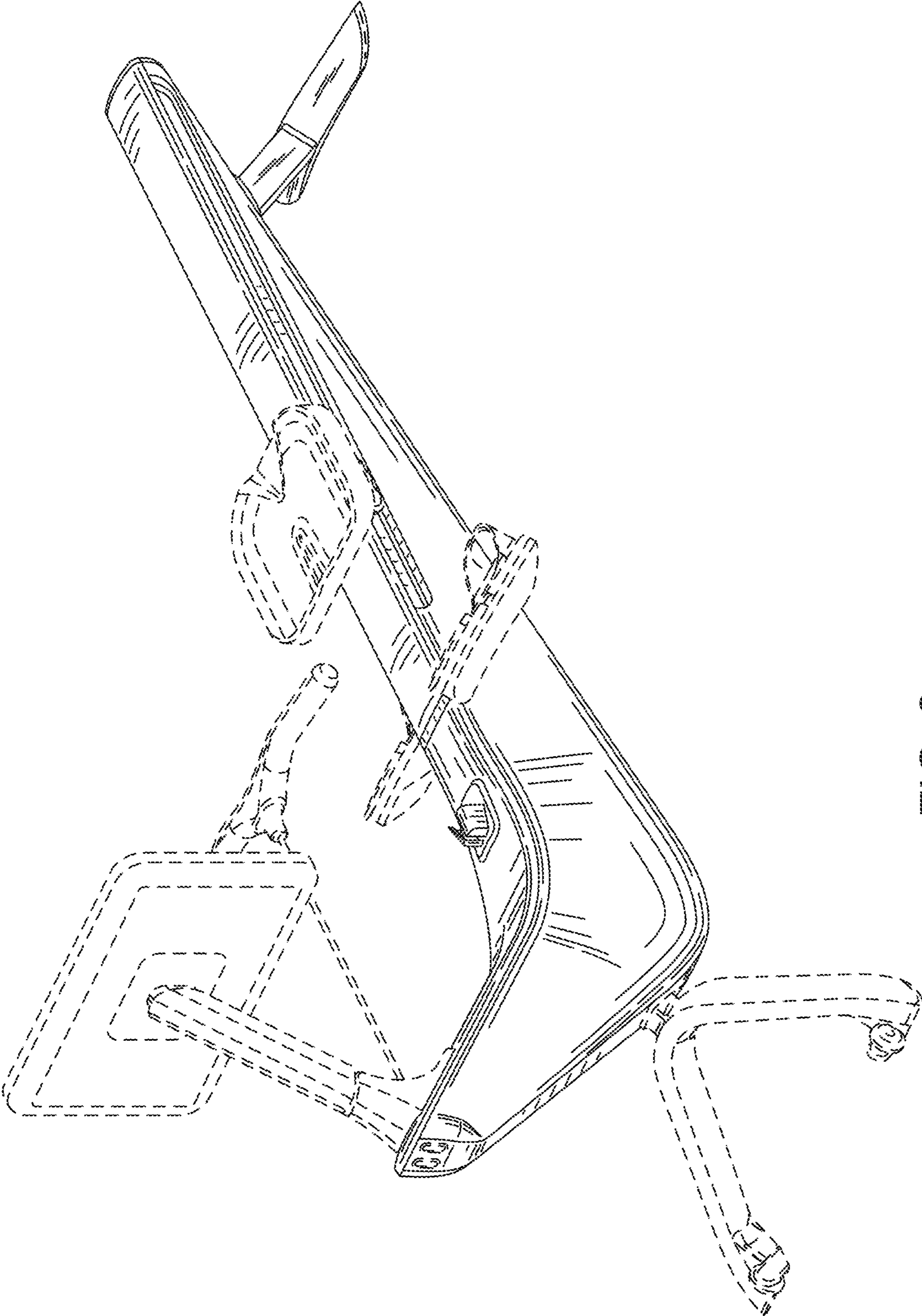


FIG. 8