



US00D984561S

(12) **United States Design Patent**  
Lv

(10) **Patent No.:** **US D984,561 S**  
(45) **Date of Patent:** **\*\* Apr. 25, 2023**

(54) **EXERCISE APPARATUS**  
(71) Applicant: **YONGKANG MAICHUN**  
**INDUSTRY AND TRADE CO., LTD.,**  
Jinhua (CN)  
(72) Inventor: **Xuwei Lv**, Yongkang (CN)  
(73) Assignee: **YONGKANG MAICHUN**  
**INDUSTRY AND TRADE CO., LTD.,**  
Jinhua (CN)

(\*\*) Term: **15 Years**  
(21) Appl. No.: **29/817,028**  
(22) Filed: **Nov. 29, 2021**

(30) **Foreign Application Priority Data**  
Nov. 9, 2021 (CN) ..... 202130736086.5  
(51) **LOC (14) Cl.** ..... **21-02**  
(52) **U.S. Cl.**  
USPC ..... **D21/663**  
(58) **Field of Classification Search**  
USPC ..... D21/663, 667, 664, 697; D12/111, 114,  
D12/117, 432, 538  
See application file for complete search history.

(56) **References Cited**  
U.S. PATENT DOCUMENTS  
5,000,441 A \* 3/1991 Wang ..... A63B 22/0002  
482/53  
D321,229 S \* 10/1991 Dalton ..... D21/670  
5,090,690 A \* 2/1992 Huang ..... A63B 22/0005  
482/52  
5,222,927 A \* 6/1993 Chang ..... A63B 22/205  
482/53  
5,611,756 A \* 3/1997 Miller ..... A63B 22/001  
482/52  
5,733,227 A \* 3/1998 Lee ..... A63B 22/001  
482/52

5,971,892 A \* 10/1999 Lee ..... A63B 22/001  
482/52  
D458,977 S \* 6/2002 Tobias ..... D21/668  
D521,576 S \* 5/2006 Hsiung ..... D21/670  
8,632,441 B2 \* 1/2014 Chen ..... A63B 22/0664  
482/52  
D834,659 S \* 11/2018 Chen ..... D21/670  
D838,789 S \* 1/2019 Hu ..... D21/670  
(Continued)

**OTHER PUBLICATIONS**

Meetwarm, announced 2017 [online], [site visited Feb. 2, 2023].  
Available on internet, URL: <https://www.amazon.com/MEETWARM-Pedal-Exerciser-Recovery-Equipment/dp/B095HNGKX8/ref> (Year: 2021).\*

(Continued)

*Primary Examiner* — Khawaja Anwar  
*Assistant Examiner* — Julice Seung Eun Oum  
(74) *Attorney, Agent, or Firm* — Nitin Kaushik

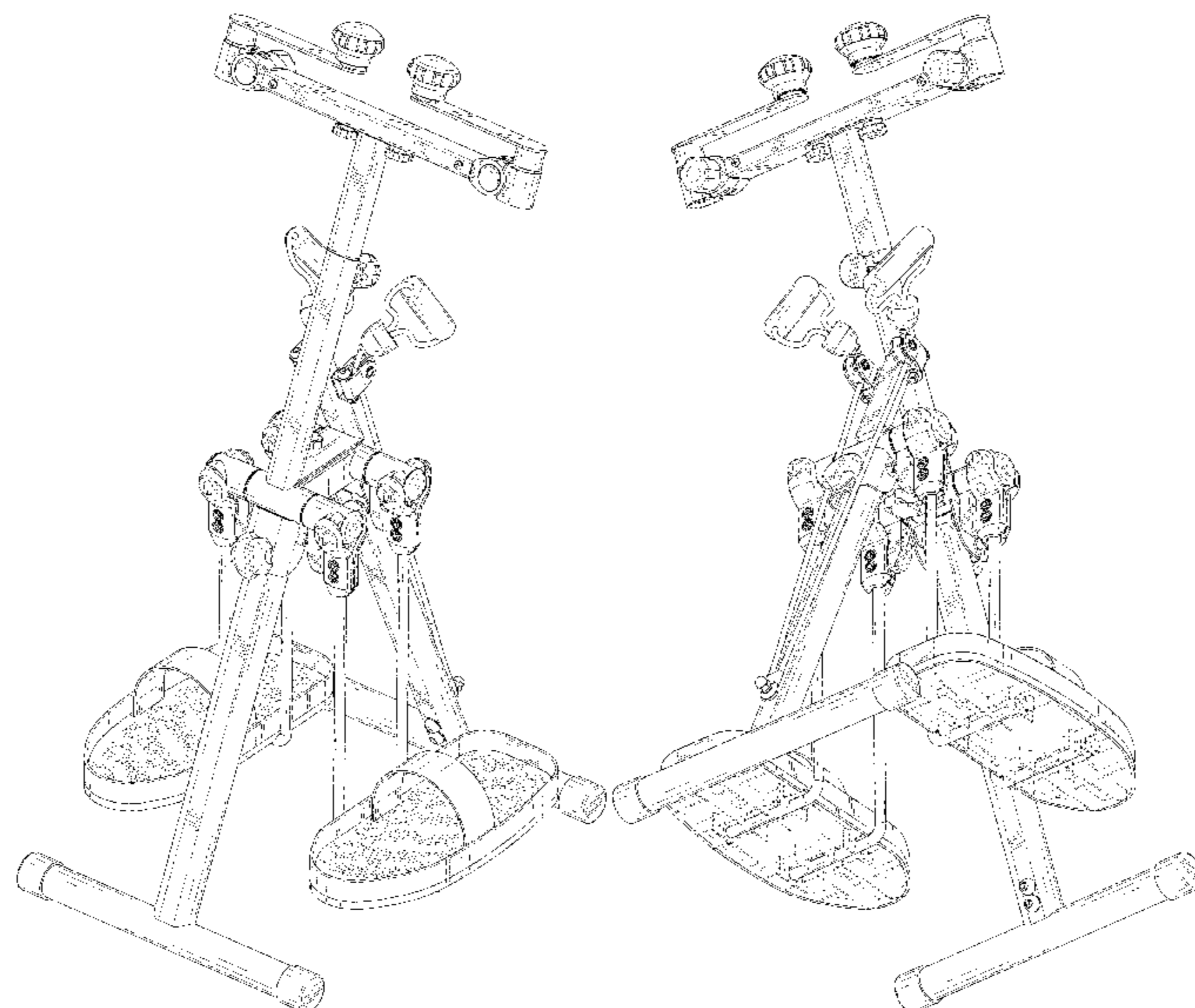
(57) **CLAIM**

The ornamental design for an exercise apparatus, as shown and described.

**DESCRIPTION**

FIG. 1 is a perspective view of an exercise apparatus showing my new design;  
FIG. 2 is another perspective view thereof;  
FIG. 3 is a front elevational view thereof;  
FIG. 4 is a rear elevational view thereof;  
FIG. 5 is a left side elevational view thereof;  
FIG. 6 is a right side elevational view thereof;  
FIG. 7 is a top plan view thereof; and,  
FIG. 8 is a bottom plan view thereof.  
The broken lines in the drawings depict portions of the exercise apparatus that form no part of the claimed design.

**1 Claim, 8 Drawing Sheets**



(56)

**References Cited**

U.S. PATENT DOCUMENTS

10,179,260 B1 \* 1/2019 Stearns ..... A63B 21/4034  
D850,541 S \* 6/2019 Hu ..... D21/668  
D853,502 S \* 7/2019 Chen ..... D21/670  
11,389,692 B2 \* 7/2022 Stearns ..... A63B 23/03575

OTHER PUBLICATIONS

XBSLJ, announced 2017 [online], [site visited Feb. 2, 2023]. Available on internet, URL:<https://www.amazon.com/XBSLJ-Exercise-Exerciser-Recovery-Equipment/dp/B08FXZBX61/ref>(Year: 2020).\*

Relife rebuild your life, announced 2017 [online], [site visited Feb. 2, 2023]. Available on internet, URL:<https://www.amazon.com/RELIFE-REBUILD-YOUR-LIFE-Vertical/dp/B071CKK5SQ/ref>(Year: 2017).\*

\* cited by examiner

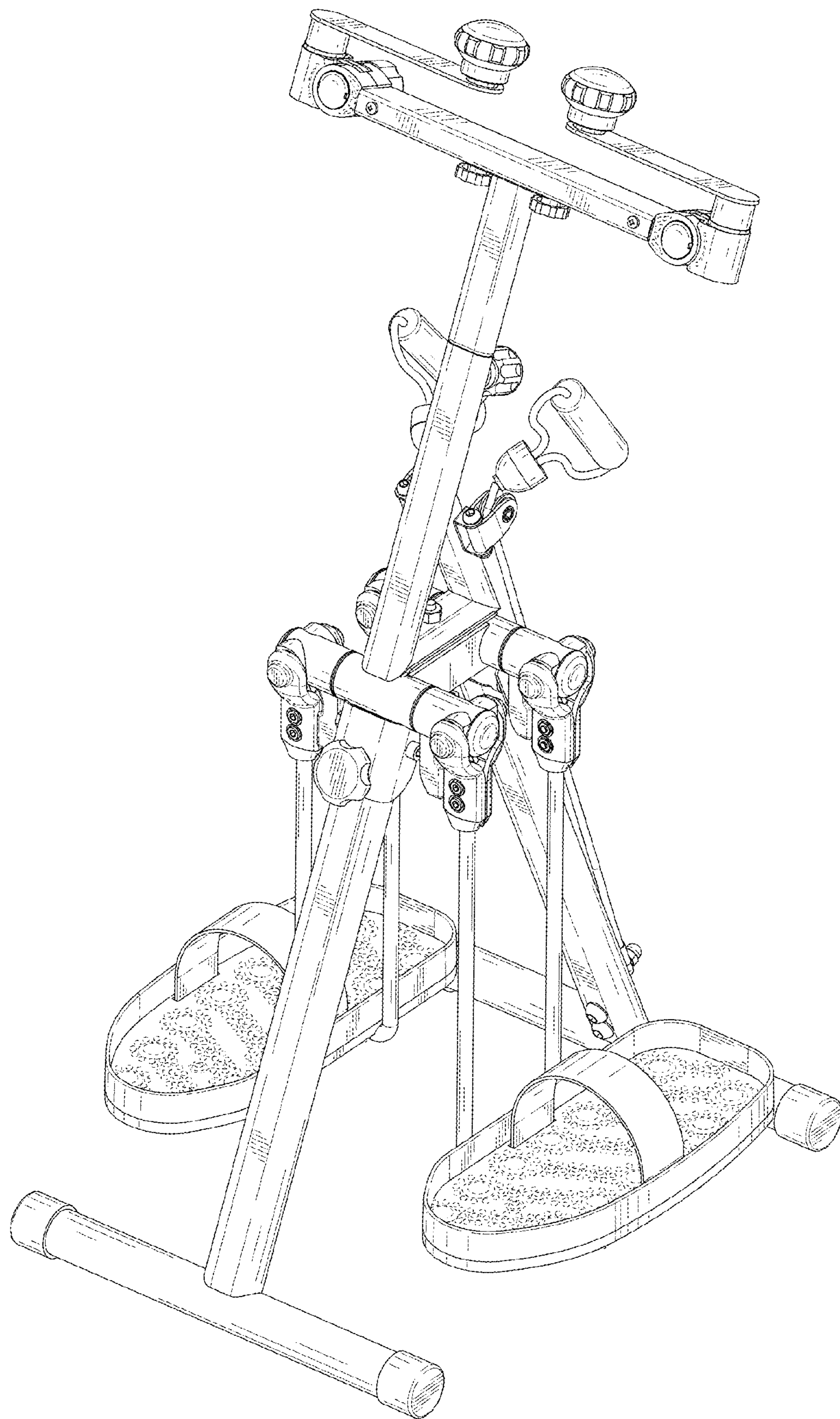


FIG. 1

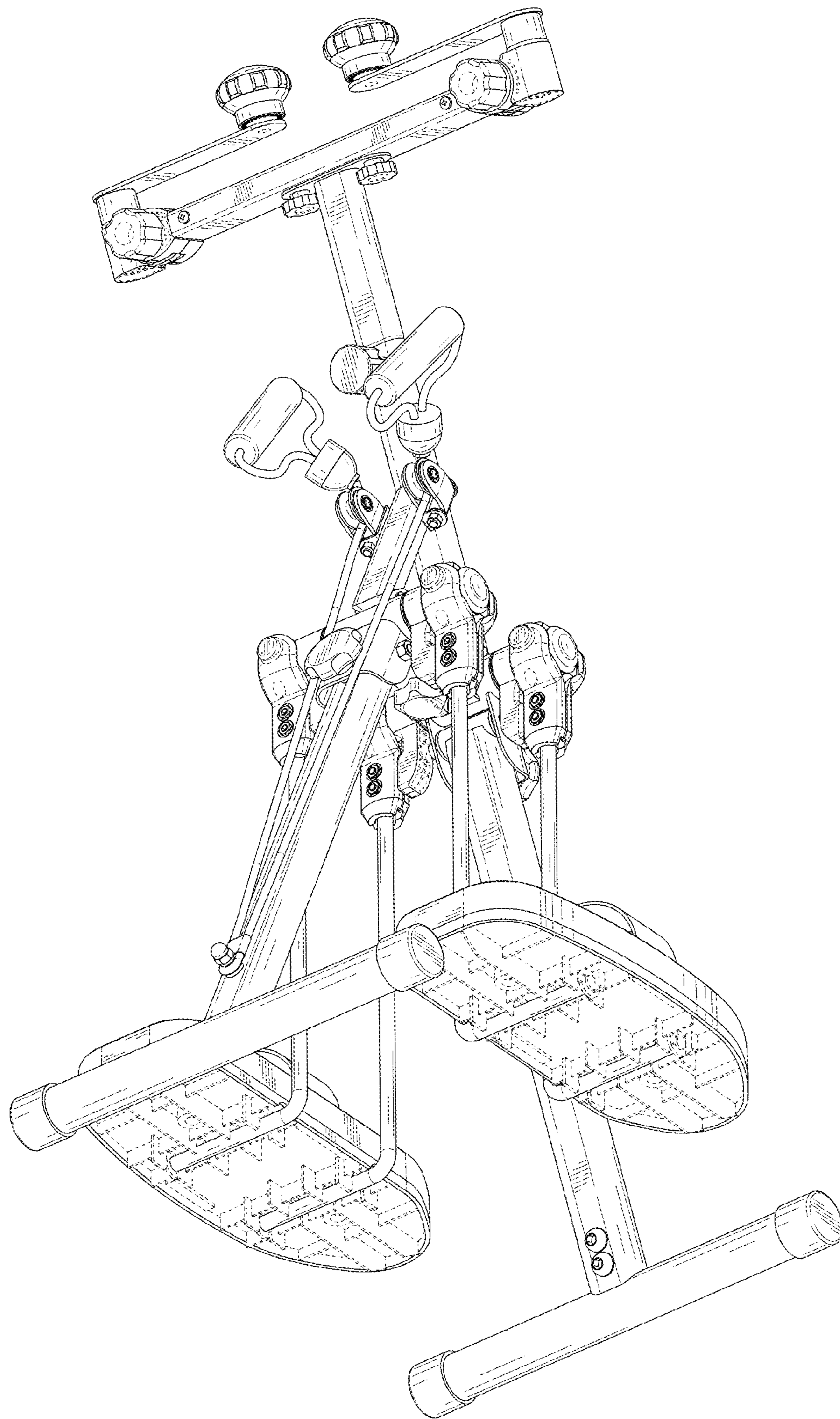


FIG. 2

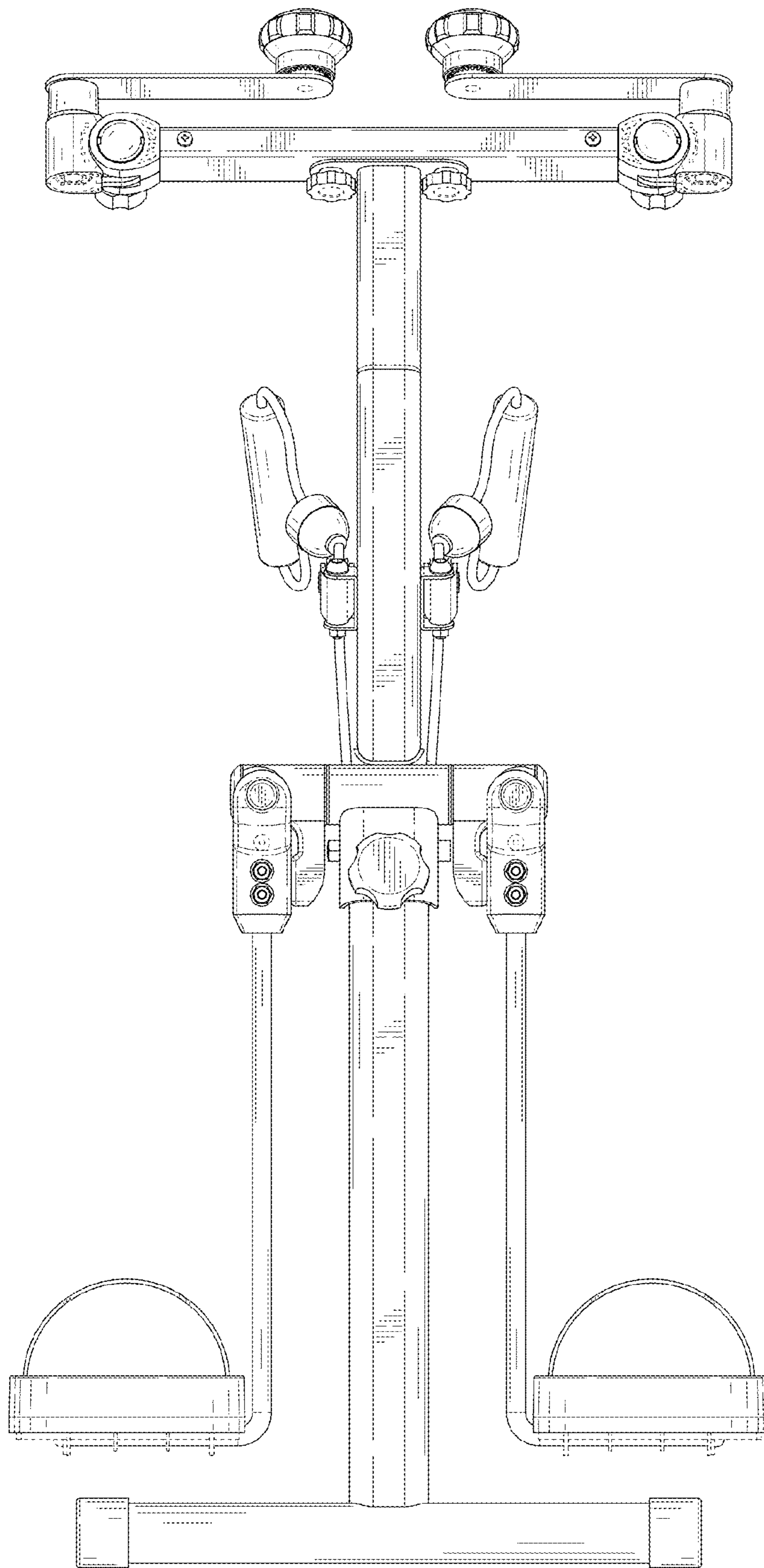


FIG. 3

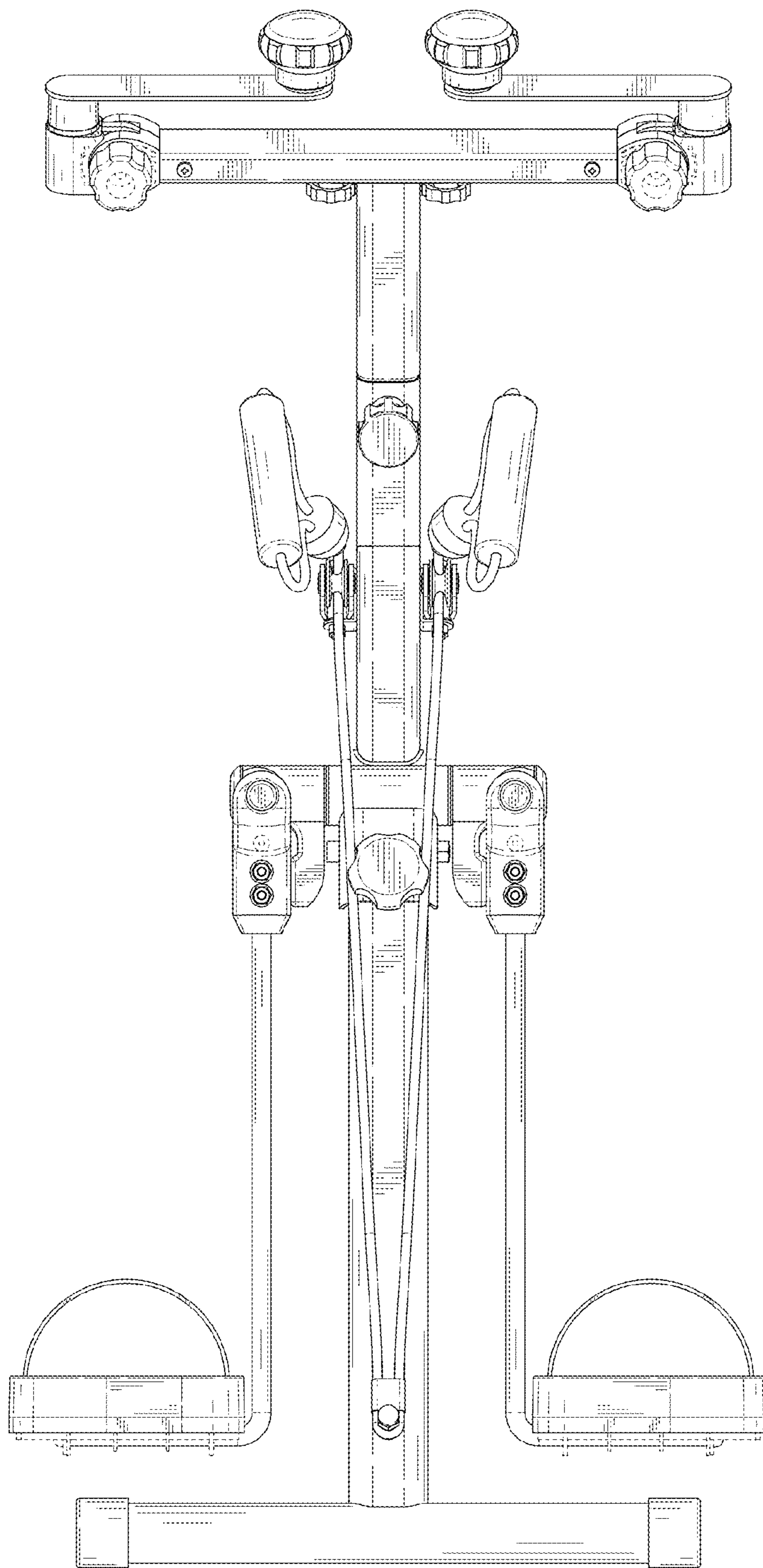


FIG. 4

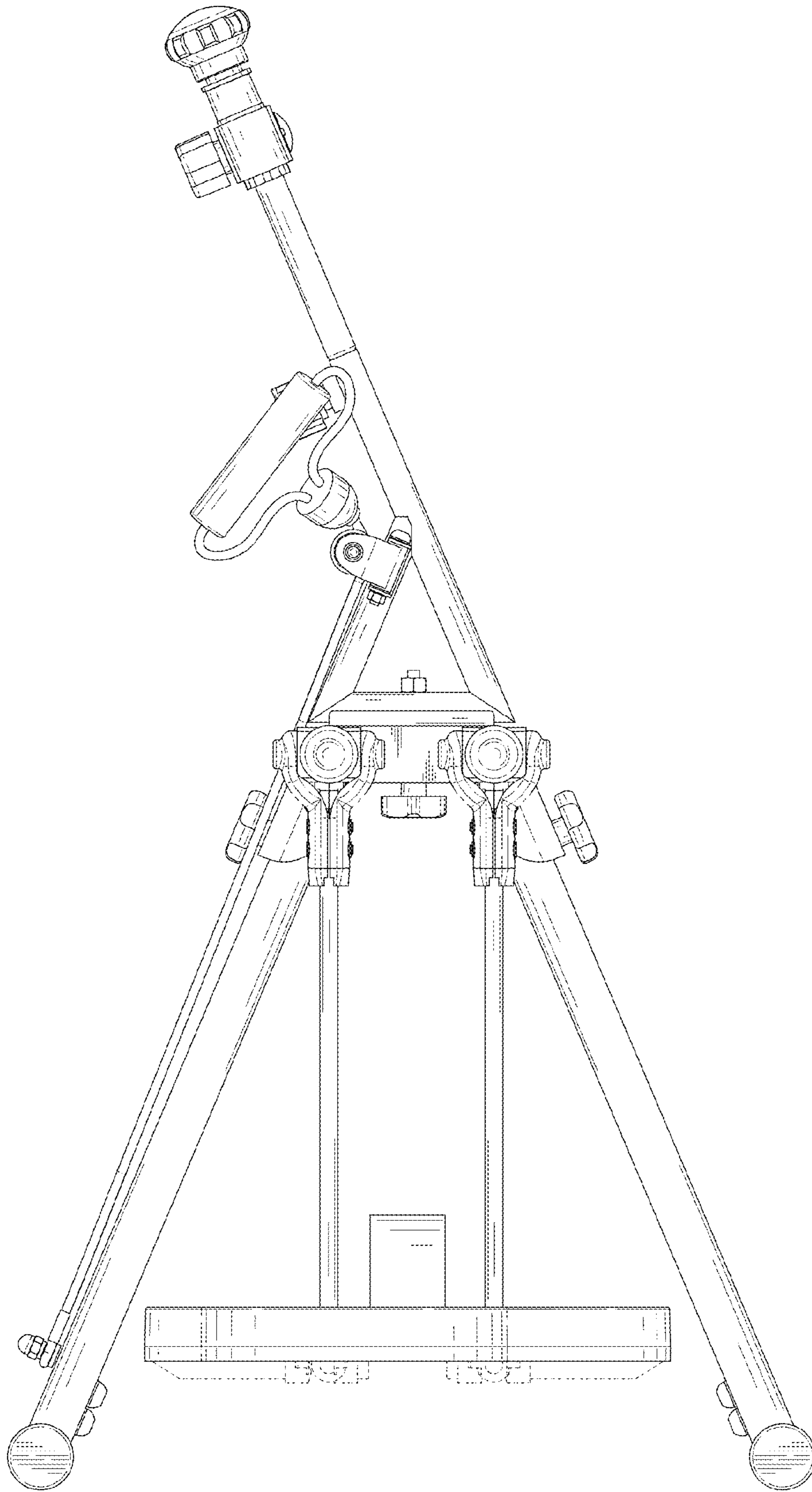


FIG. 5

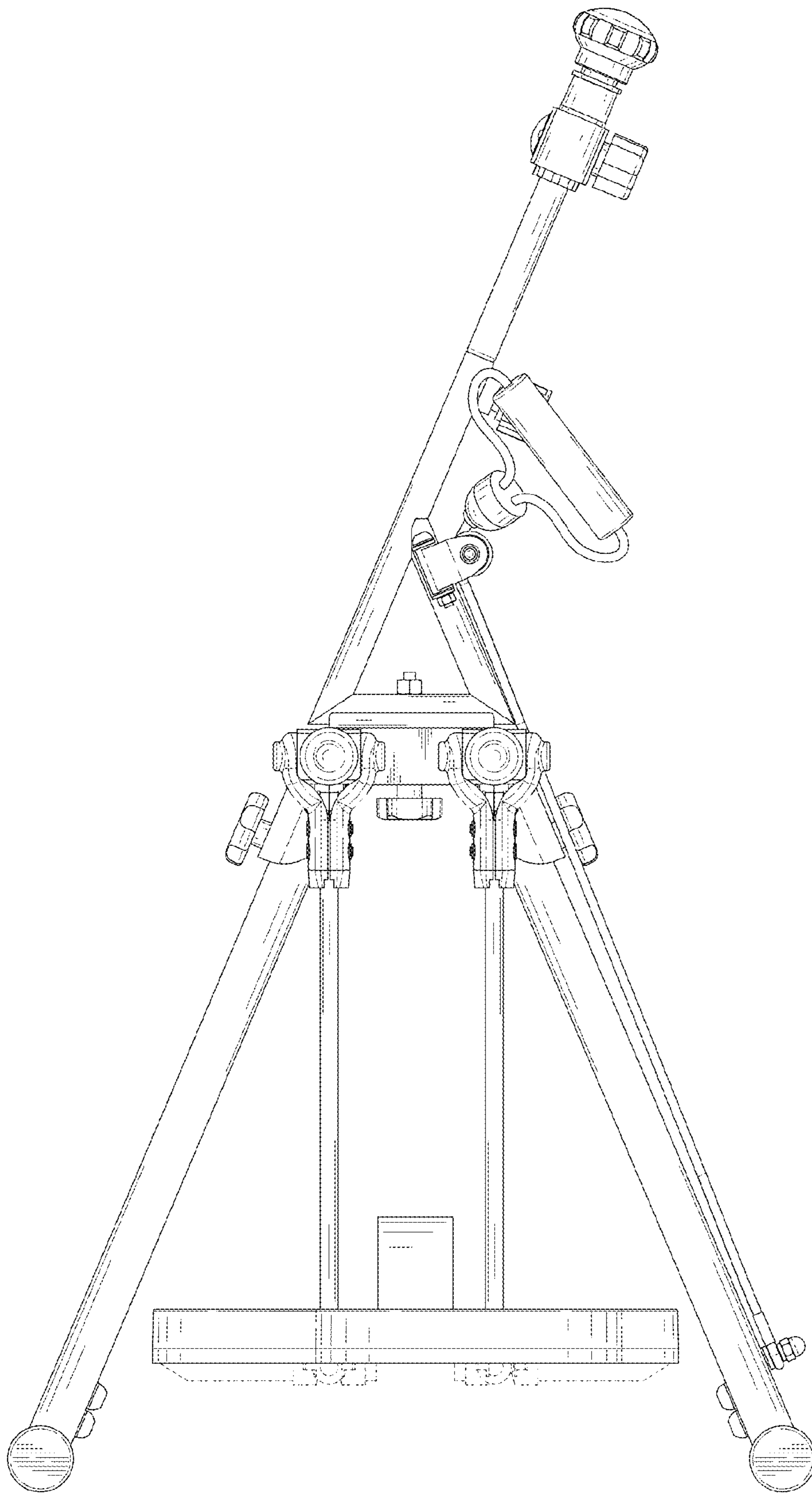


FIG. 6



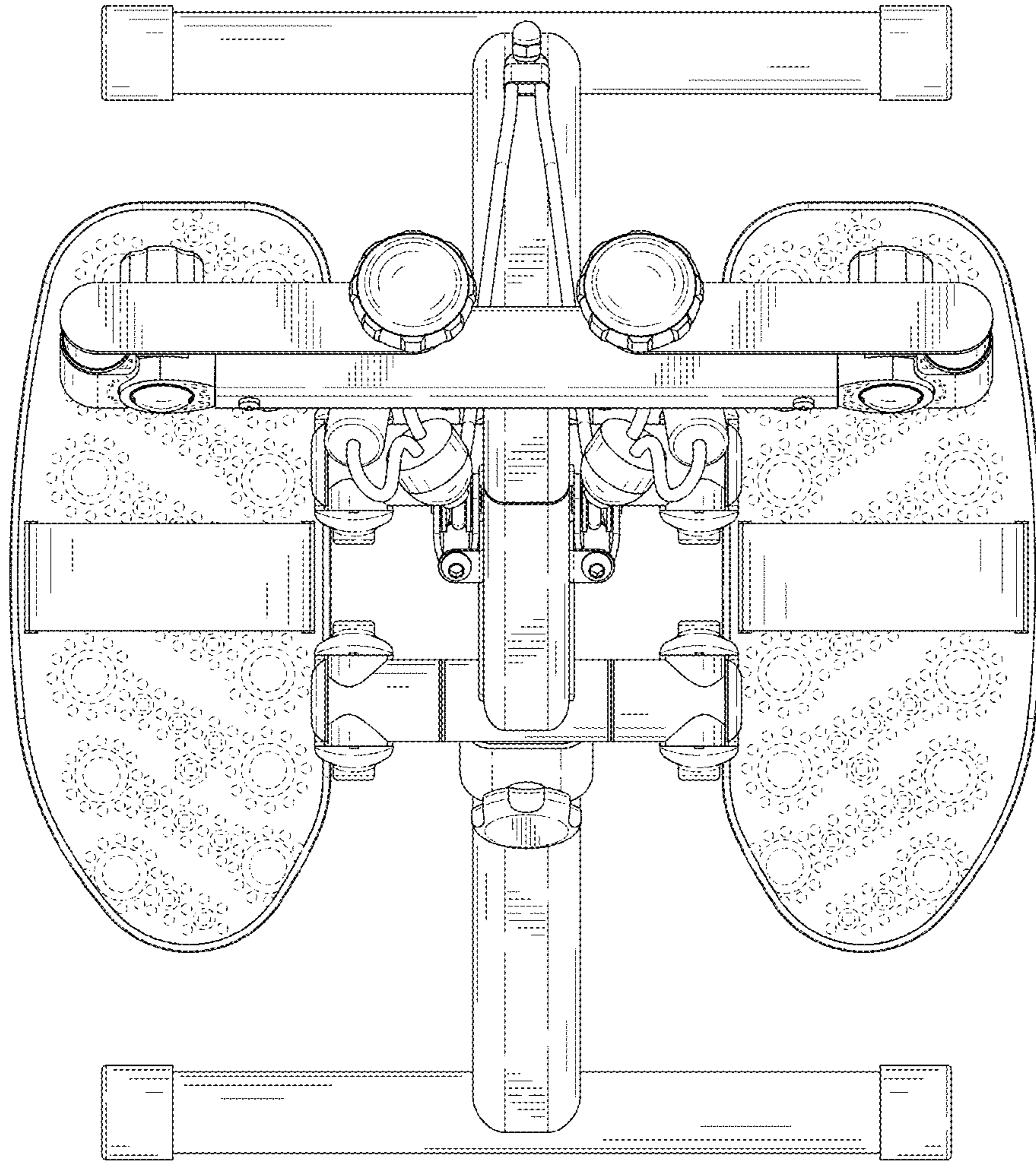


FIG. 7

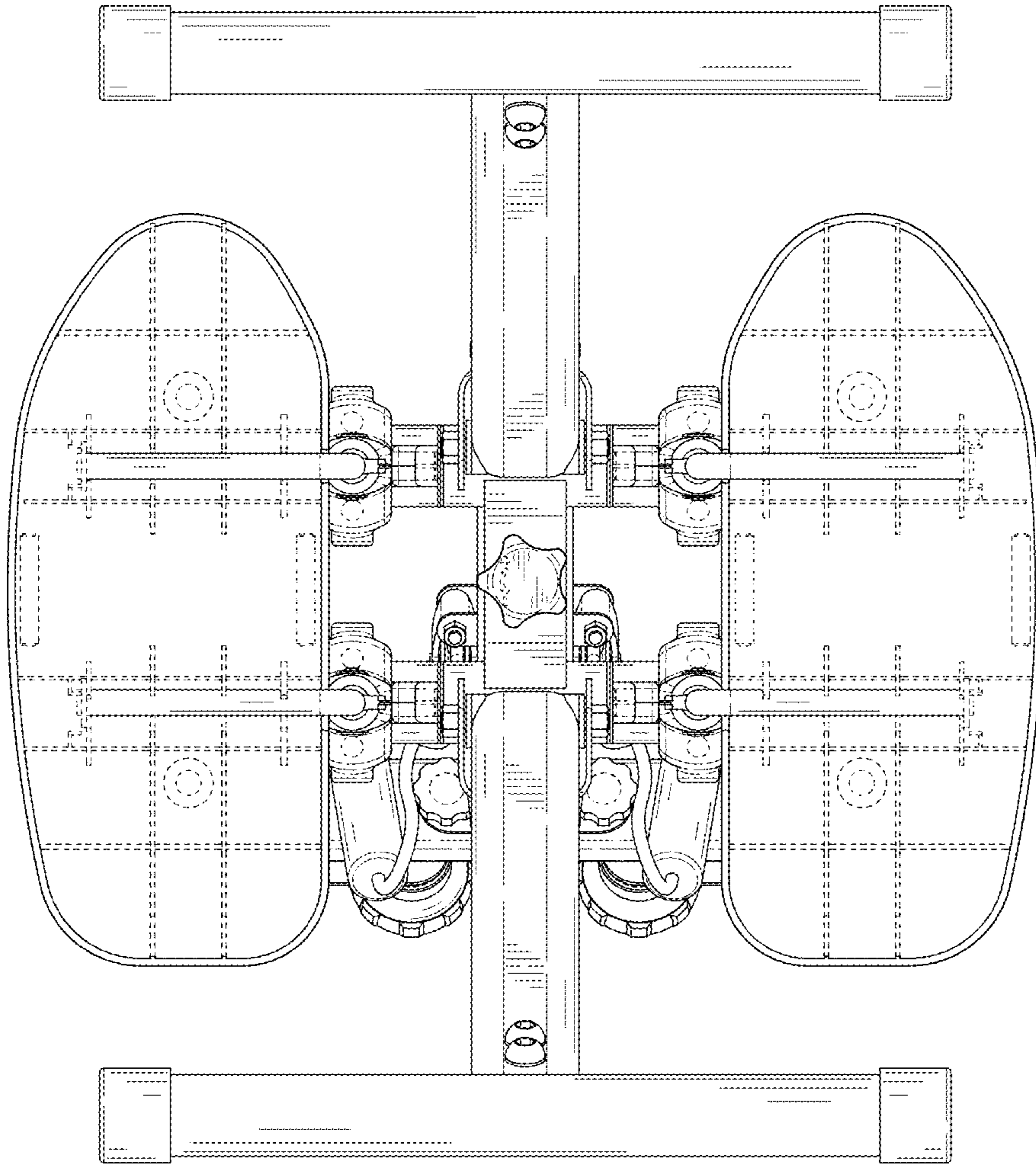


FIG. 8