



US00D984560S

(12) **United States Design Patent** (10) **Patent No.:** **US D984,560 S**
Lv (45) **Date of Patent:** **** Apr. 25, 2023**

(54) **EXERCISE APPARATUS**

(71) Applicant: **YONGKANG MAICHUN INDUSTRY AND TRADE CO., LTD.**, Jinhua (CN)

(72) Inventor: **Xuwei Lv**, Yongkang (CN)

(73) Assignee: **YONGKANG MAICHUN INDUSTRY AND TRADE CO., LTD.**, Jinhua (CN)

(**) Term: **15 Years**

(21) Appl. No.: **29/817,026**

(22) Filed: **Nov. 29, 2021**

(30) **Foreign Application Priority Data**

Oct. 27, 2021 (CN) 202130705742.5

(51) **LOC (14) Cl.** **21-02**

(52) **U.S. Cl.**
USPC **D21/663**

(58) **Field of Classification Search**
USPC D21/663, 667, 664, 697; D12/111, 114, D12/117, 432, 538
See application file for complete search history.

(56) **References Cited**

U.S. PATENT DOCUMENTS

D438,580 S *	3/2001	Shaw	D21/663
D462,099 S *	8/2002	Chen	D21/663
D482,084 S *	11/2003	Yang	D21/663
D482,416 S *	11/2003	Yang	D21/663
D794,142 S *	8/2017	Zhou	D21/663
D976,339 S *	1/2023	Li	D21/663

OTHER PUBLICATIONS

AGM, announced 2018 [online], [site visited Feb. 2, 2023]. Available on internet, URL:https://www.amazon.com/Exercise-AGM-Digital-Peddler-Displays%EF%BC%88Black%EF%BC%89/dp/B0772K52ZZ/ref (Year: 2018).*

CanDo announced 2007 [online], [site visited Feb. 2, 2023], Available on internet, URL:https://www.amazon.com/CanDo-01-8030-Magneciser-Pedal-Exerciser/dp/B003YR6DDE/ref (Year: 2007).*

* cited by examiner

Primary Examiner — Khawaja Anwar

Assistant Examiner — Julice Seung Eun Oum

(74) *Attorney, Agent, or Firm* — Nitin Kaushik

(57) **CLAIM**

The ornamental design for an exercise apparatus, as shown and described.

DESCRIPTION

FIG. 1 is a perspective view of an exercise apparatus showing my new design;

FIG. 2 is another perspective view thereof;

FIG. 3 is a front elevational view thereof;

FIG. 4 is a rear elevational view thereof;

FIG. 5 is a left side elevational view thereof;

FIG. 6 is a right side elevational view thereof;

FIG. 7 is a top plan view thereof; and

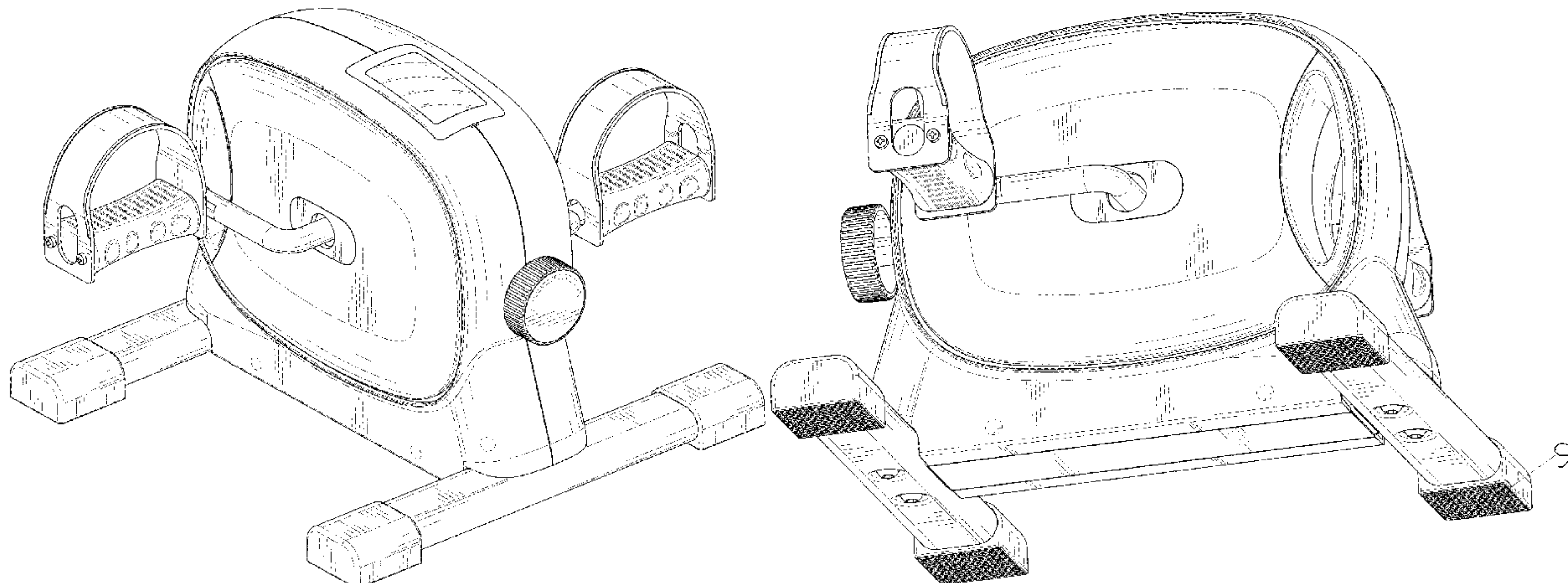
FIG. 8 is a bottom plan view thereof; and,

FIG. 9 is an enlarged view of portion 9 shown in FIG. 2.

The broken lines in the drawings depict portions of the exercise apparatus that form no part of the claimed design.

The dot-dash broken lines represent the boundary of the enlarged portion and form no part of the claimed design.

1 Claim, 9 Drawing Sheets



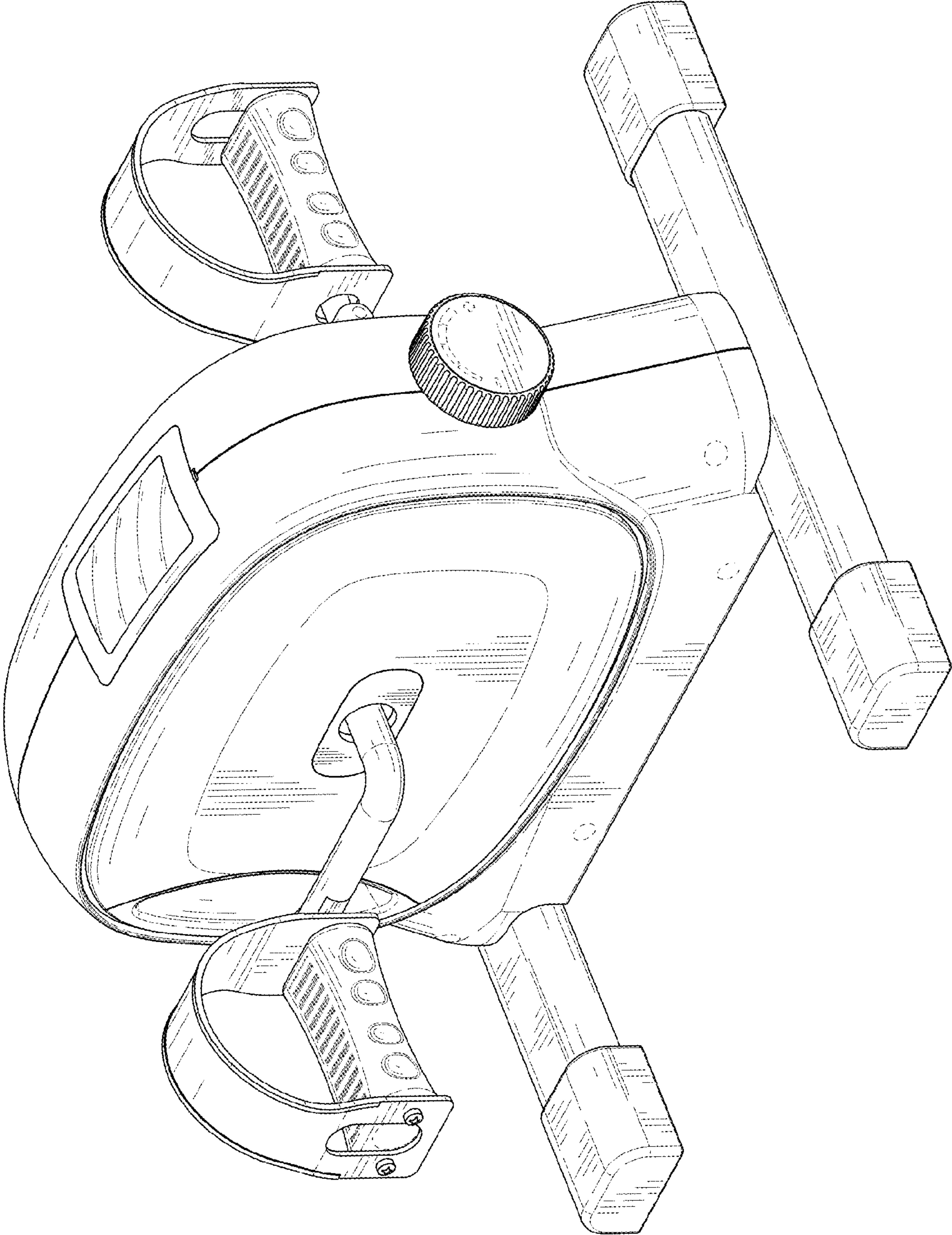


FIG. 1

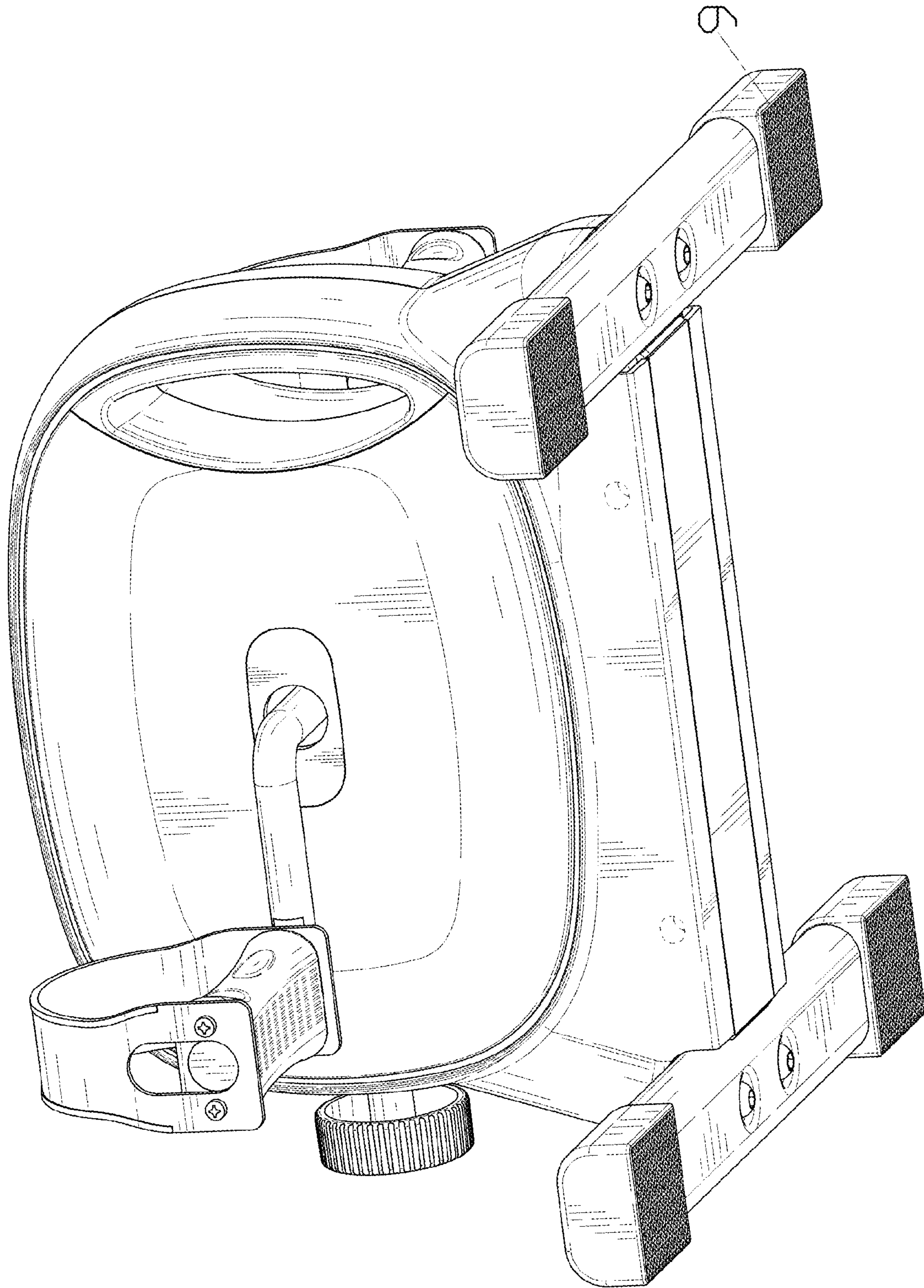


FIG. 2

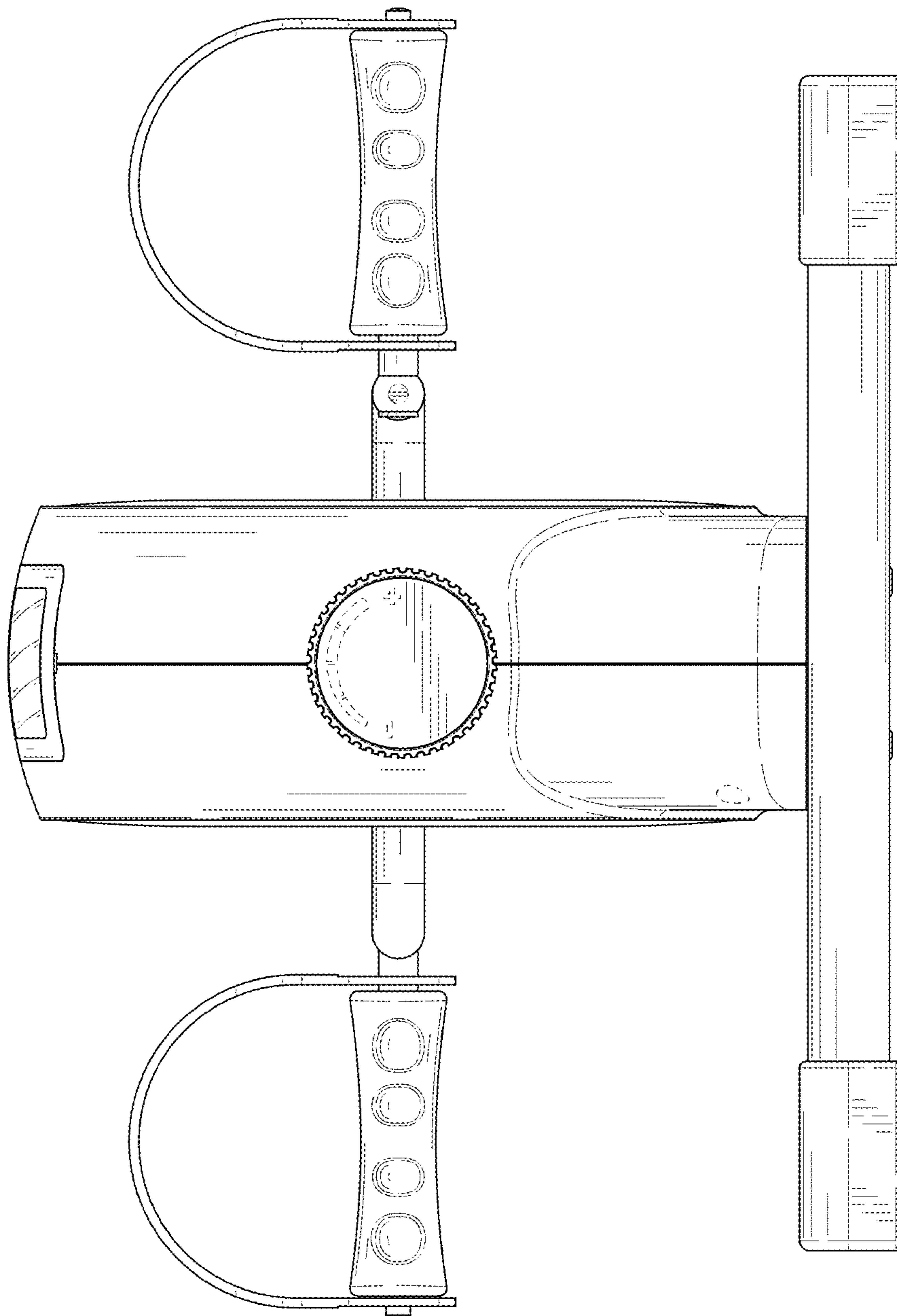


FIG. 3

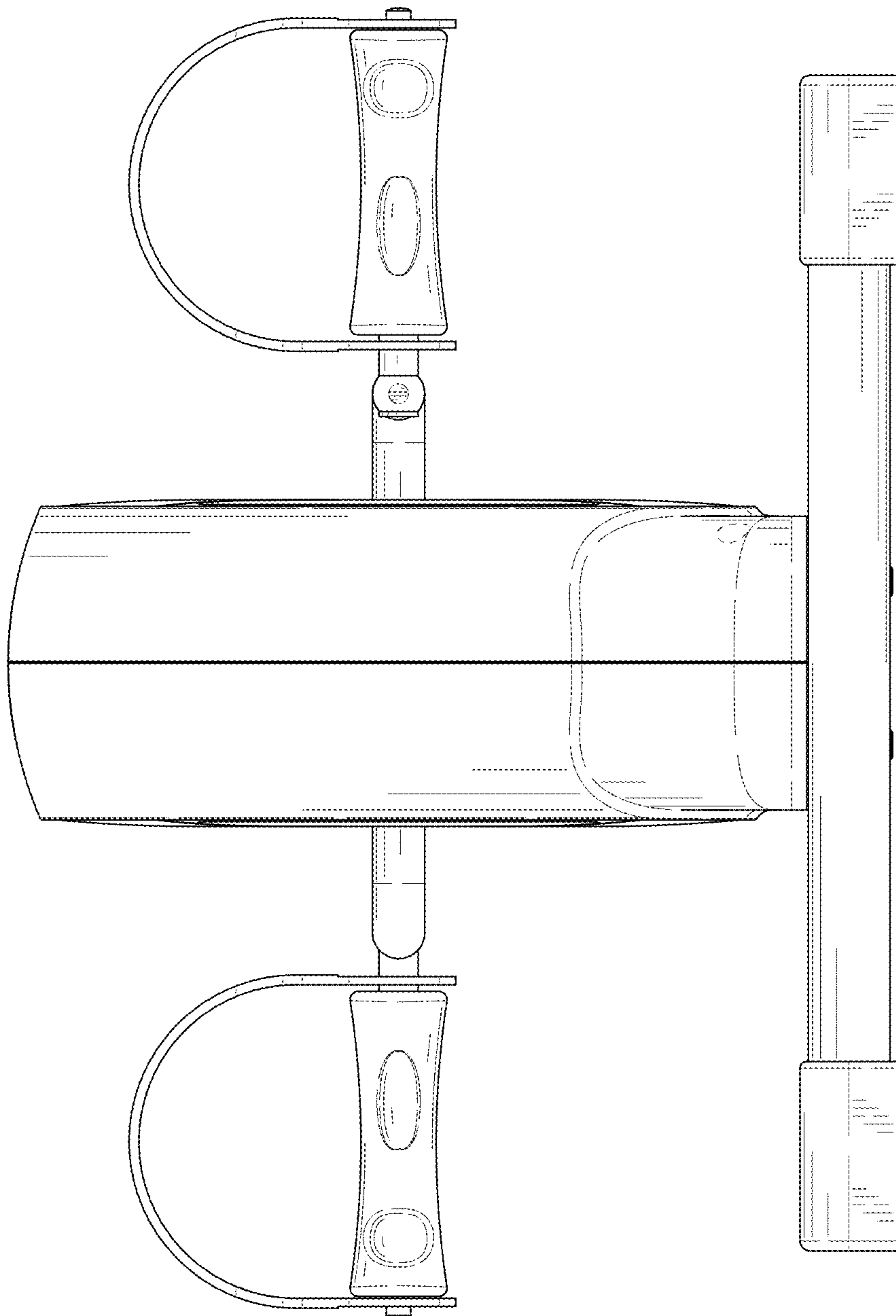


FIG. 4

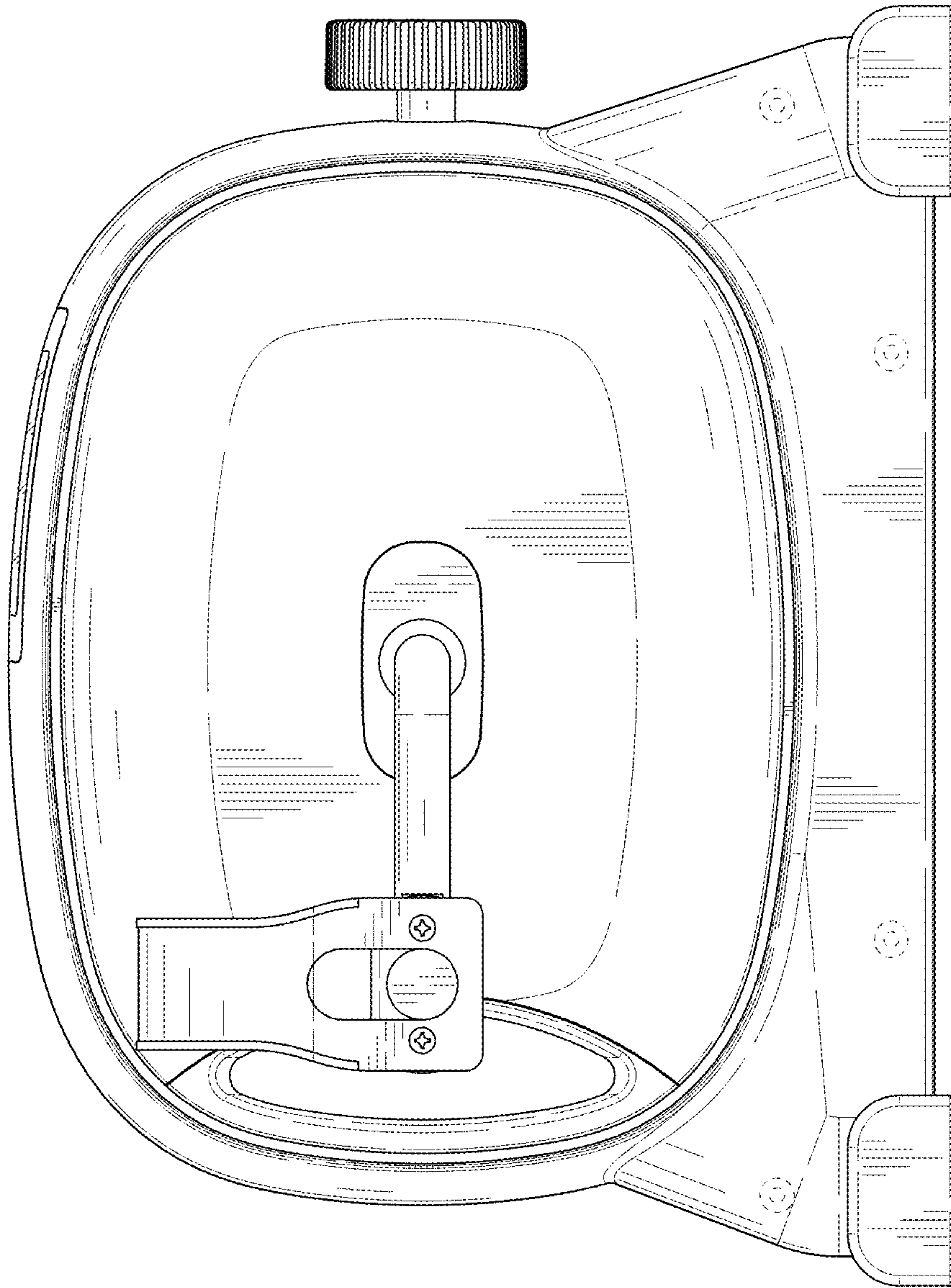


FIG. 5

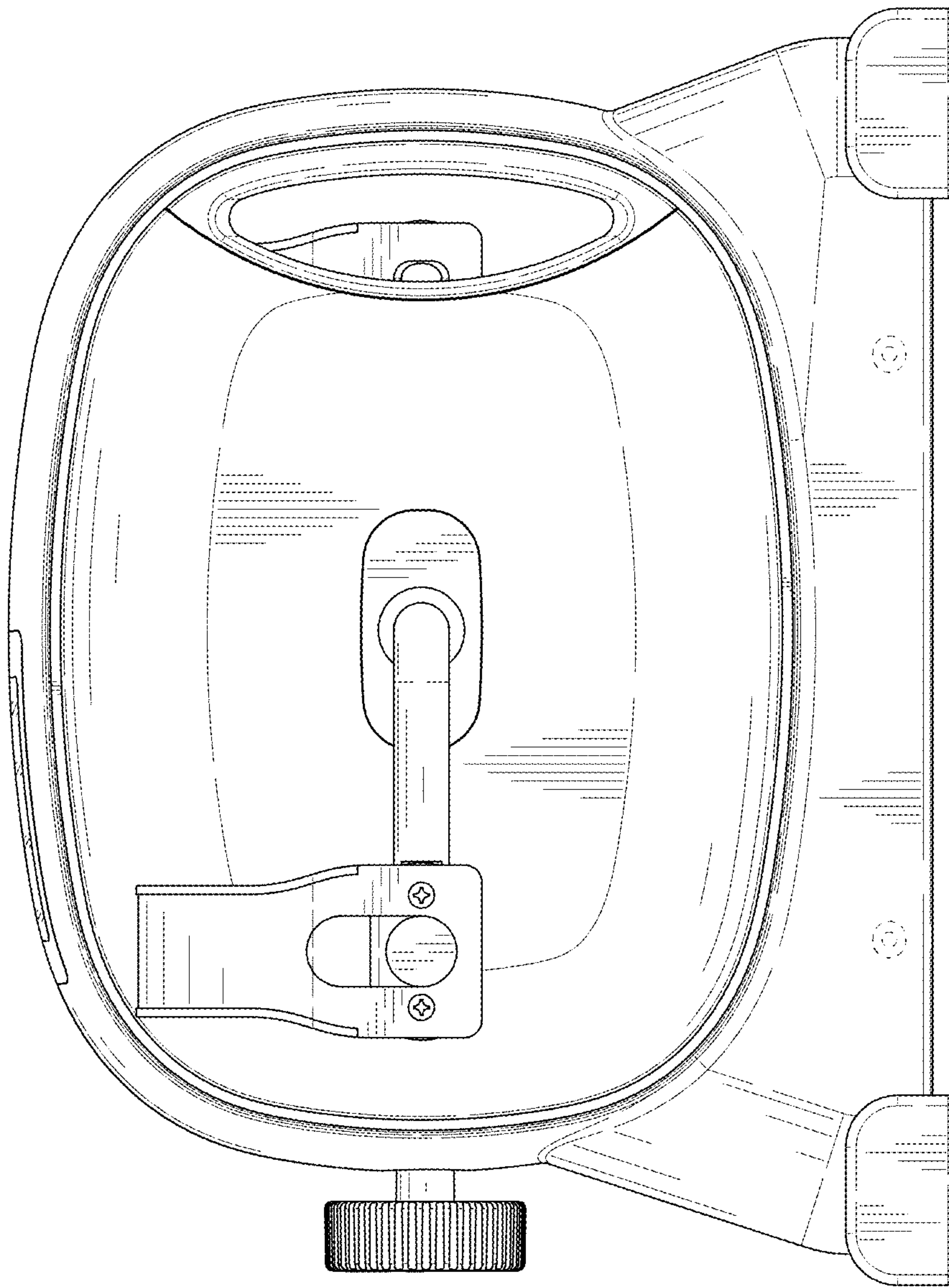


FIG. 6

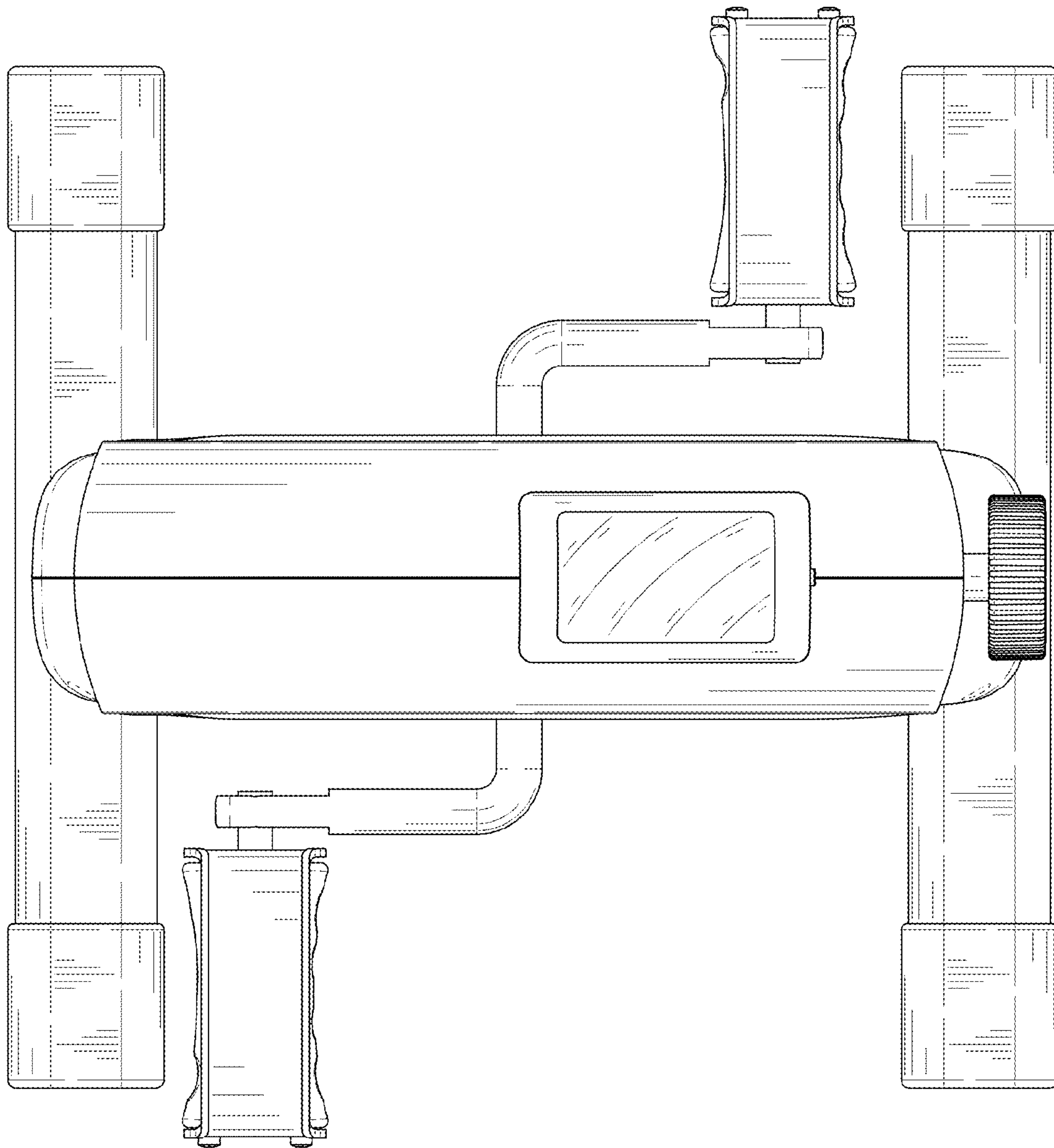


FIG. 7

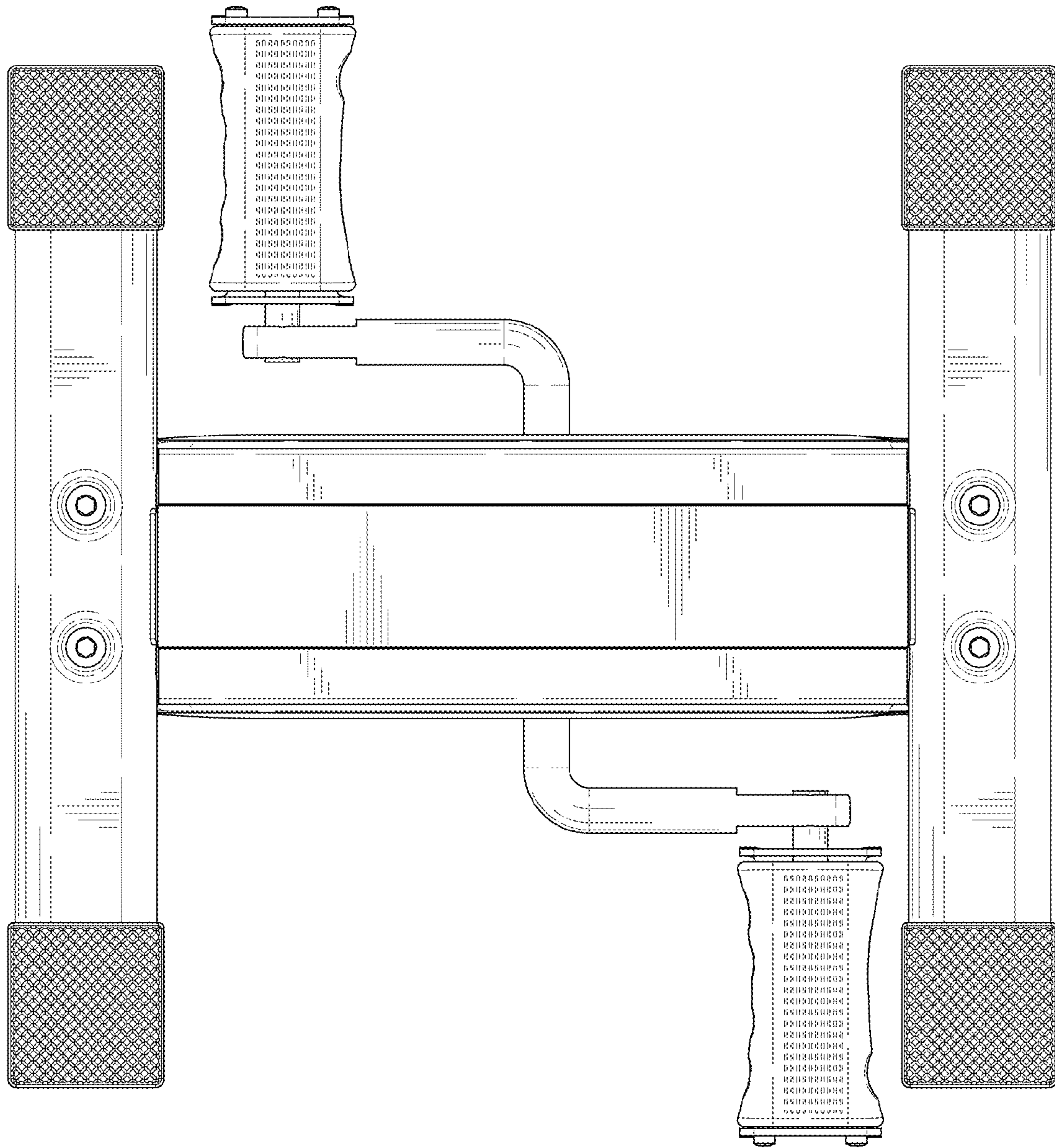


FIG. 8

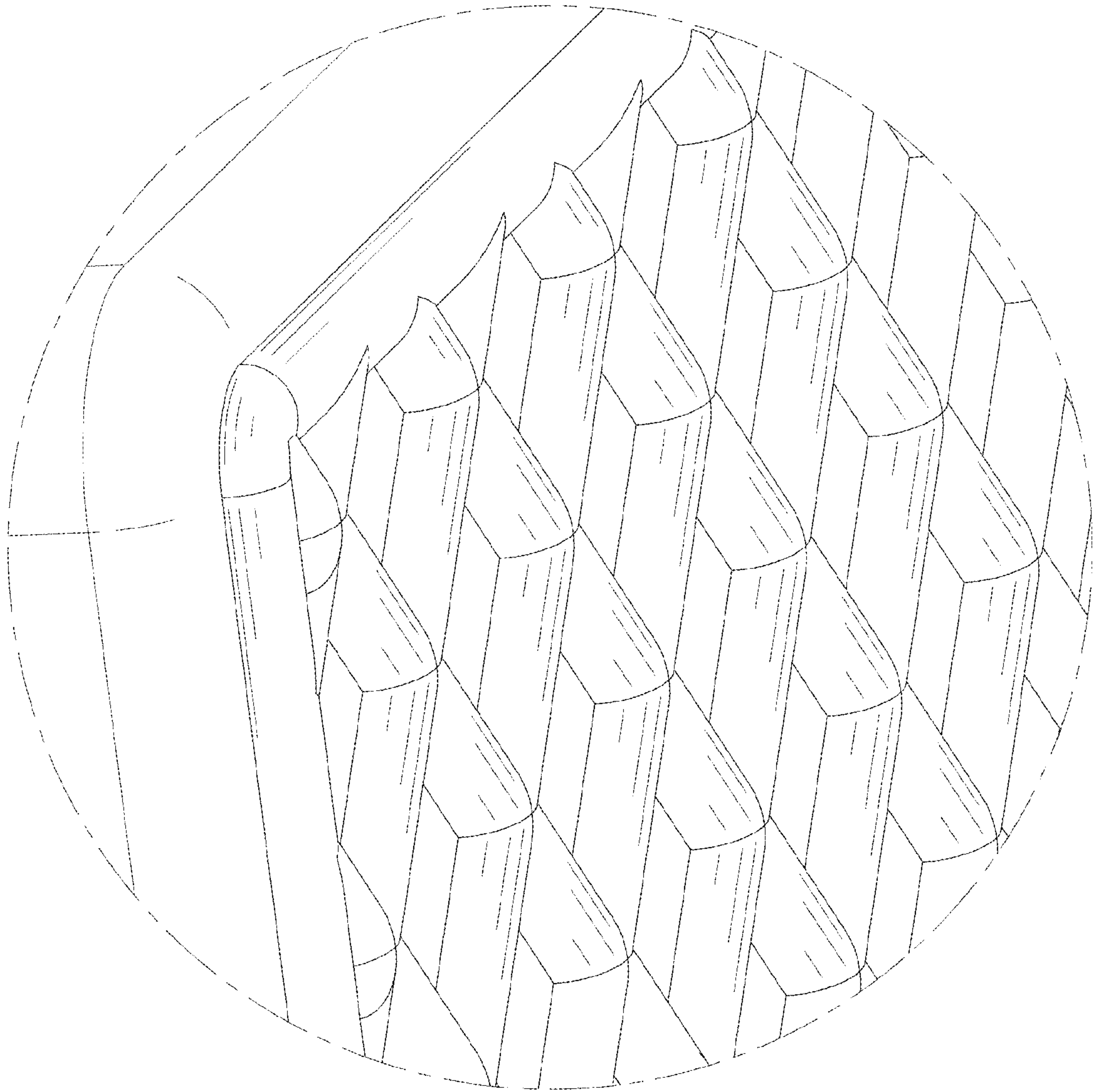


FIG. 9