



US00D984558S

(12) **United States Design Patent**
Young et al.

(10) **Patent No.:** **US D984,558 S**
(45) **Date of Patent:** **** Apr. 25, 2023**

(54) **TOY DOLL**

(71) Applicant: **Jabberwocky Toys, LLC**, Atlanta, GA (US)

(72) Inventors: **Janet Young**, Atlanta, GA (US); **Carter Lee**, Atlanta, GA (US); **James Warner**, Atlanta, GA (US)

(73) Assignee: **Jabberwocky Toys, LLC**, Atlanta, GA (US)

(**) Term: **15 Years**

(21) Appl. No.: **29/725,283**

(22) Filed: **Feb. 24, 2020**

(51) **LOC (14) Cl.** **21-01**

(52) **U.S. Cl.**
USPC **D21/621**

(58) **Field of Classification Search**
USPC D11/57, 134, 137, 158, 162, 141;
D21/490, 576-596, 598, 599, 602,
D21/606-609, 611, 618-620, 661, 653,
D21/656, 658; D6/597-599, 601
CPC A63H 3/00
See application file for complete search history.

(56) **References Cited**

U.S. PATENT DOCUMENTS

D158,646 S	1/1909	Schoenhut	
1,242,820 A	10/1917	Levay et al.	
D161,734 S	1/1951	Burkes	
2,586,283 A	2/1952	Wynn	
D188,952 S	10/1960	Laganella	
D199,447 S	10/1964	Milner	
D255,135 S	5/1980	Chase et al.	
4,268,030 A *	5/1981	Richards A63H 15/06 446/226

(Continued)

FOREIGN PATENT DOCUMENTS

CN 3459015 7/2005
CN 301999184 S 7/2012

(Continued)

OTHER PUBLICATIONS

“Intex 3D Bop Bag Blow Up Inflatable Boxer & Wrestler Gift Set Bundle” Oct. 7, 2015, site visited May 7, 2022, Amazon.in: https://www.amazon.in/Intex-Inflatable-Boxer-Wrestler-Bundle/dp/B015HJ2M2K/ref=cm_cr_arp_d_product_top?ie=UTF8 (Year: 2015).*

(Continued)

Primary Examiner — Michael C Stout

Assistant Examiner — Melvin L Davis

(74) *Attorney, Agent, or Firm* — Meunier Carlin & Curfman LLC

(57) **CLAIM**

The ornamental design for a toy doll, as shown and described.

DESCRIPTION

FIG. 1 is a front perspective view of a toy doll showing our new design according to a first embodiment.

FIG. 2 is a front view of our new design shown in FIG. 1.

FIG. 3 is a rear view of our new design shown in FIG. 1.

FIG. 4 is a left-side view of our new design shown in FIG. 1.

FIG. 5 is a right-side view of our new design shown in FIG. 1.

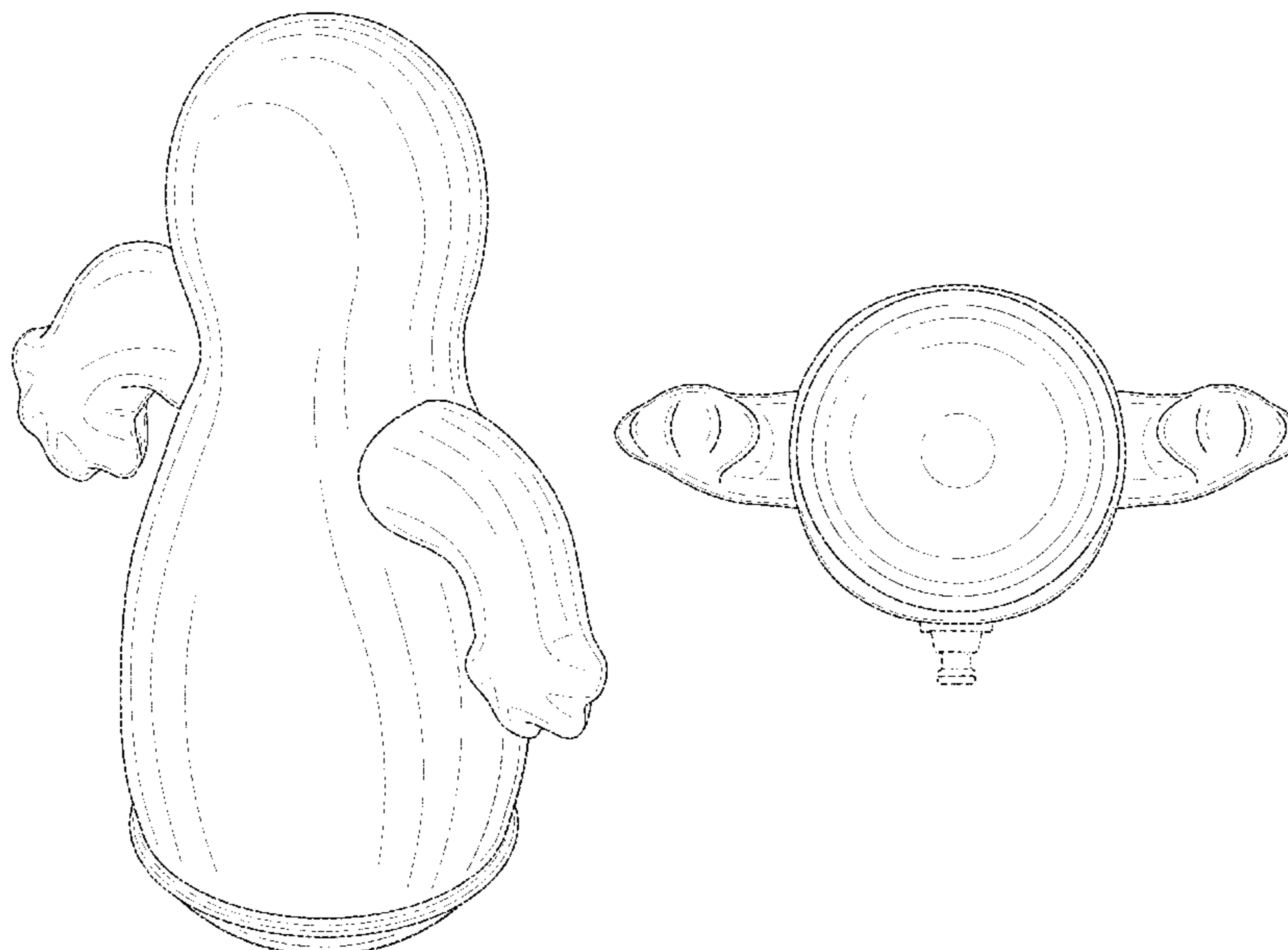
FIG. 6 is a top view of our new design shown in FIG. 1.

FIG. 7 is a bottom view of our new design shown in FIG. 1; and,

FIG. 8 is a front perspective view of our new design shown in FIG. 1 with the arms rotated to a vertical position.

The portions of the toy doll rendered in short broken lines form no part of the claimed design.

1 Claim, 8 Drawing Sheets



(56)

References Cited

U.S. PATENT DOCUMENTS

4,529,390 A * 7/1985 Levy A63H 15/06
273/401
D280,534 S * 9/1985 Cassaro D21/623
4,770,412 A * 9/1988 Wolfe A63B 69/201
446/226
D311,564 S 10/1990 Wolfe
D314,532 S * 2/1991 Tosanotti D11/160
D324,247 S 2/1992 Goldblatt
D325,754 S 4/1992 Goldblatt
5,335,906 A 8/1994 Delker
D352,013 S * 11/1994 Corson D11/128
D369,186 S 4/1996 Hann et al.
D384,378 S * 9/1997 Sigler D21/787
D410,960 S * 6/1999 Both D2/840
D410,986 S 6/1999 Luedke et al.
D431,057 S * 9/2000 Thomas D21/621
D436,153 S 1/2001 Luedke et al.
6,736,738 B1 * 5/2004 Taa A63B 63/008
473/439
D513,105 S * 12/2005 Yeung D99/35
7,357,760 B1 * 4/2008 Rios A63B 69/34
482/90
D608,826 S * 1/2010 Laguatan D19/182
D639,353 S 6/2011 Stibolt
D661,849 S * 6/2012 Soto D30/160
D670,449 S * 11/2012 Clark D30/125
D731,012 S 6/2015 Gilman
D757,196 S * 5/2016 Shepherd D21/699
D764,604 S * 8/2016 Company D21/578

9,550,102 B1 * 1/2017 George G09B 19/0038
D812,171 S 3/2018 Alfredo
D887,567 S * 6/2020 Lowsky D24/195
D905,145 S * 12/2020 Ingerick D15/199
D912,753 S * 3/2021 Zheng D21/787
D931,959 S * 9/2021 Engler D21/699
D944,879 S * 3/2022 Takagi D15/199

FOREIGN PATENT DOCUMENTS

CN	302111823 S	10/2012
CN	302416060 S	4/2013
CN	302620059 S	10/2013
CN	303114502 S	2/2015
CN	304567173 S	4/2018
CN	304613897 S	5/2018
CN	304830121 S	9/2018
CN	305228308 S	6/2019
JP	1383754 S	3/2010
TW	D122308 S	4/2008

OTHER PUBLICATIONS

Office Action issued by the Israeli Patent Office in International Registration No. DM/210112 dated Mar. 14, 2021. 6 pages.
Office Action issued by the Israeli Patent Office in International Registration No. DM/210112 dated Mar. 14, 2021. 7 pages.
https://www.amazon.com/Intex-Bop-Blow-Inflatable-Wrestler/dp/B01C267YU8/ref=sr_1_16?dchild=1&keywords=blow+up+toy&qid=1615449702&sr=8-16. Accessed on May 26, 2021.

* cited by examiner

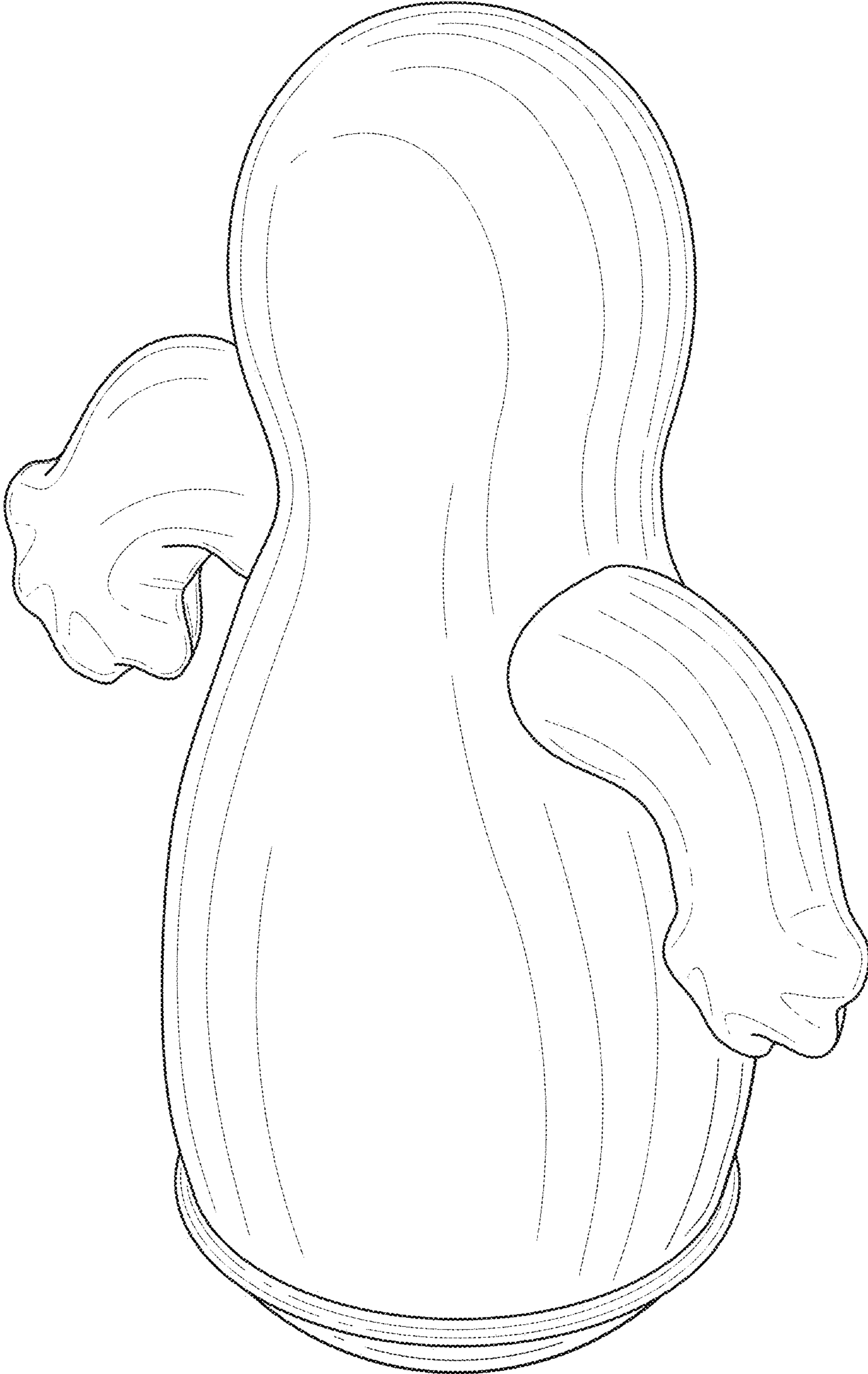


FIG. 1

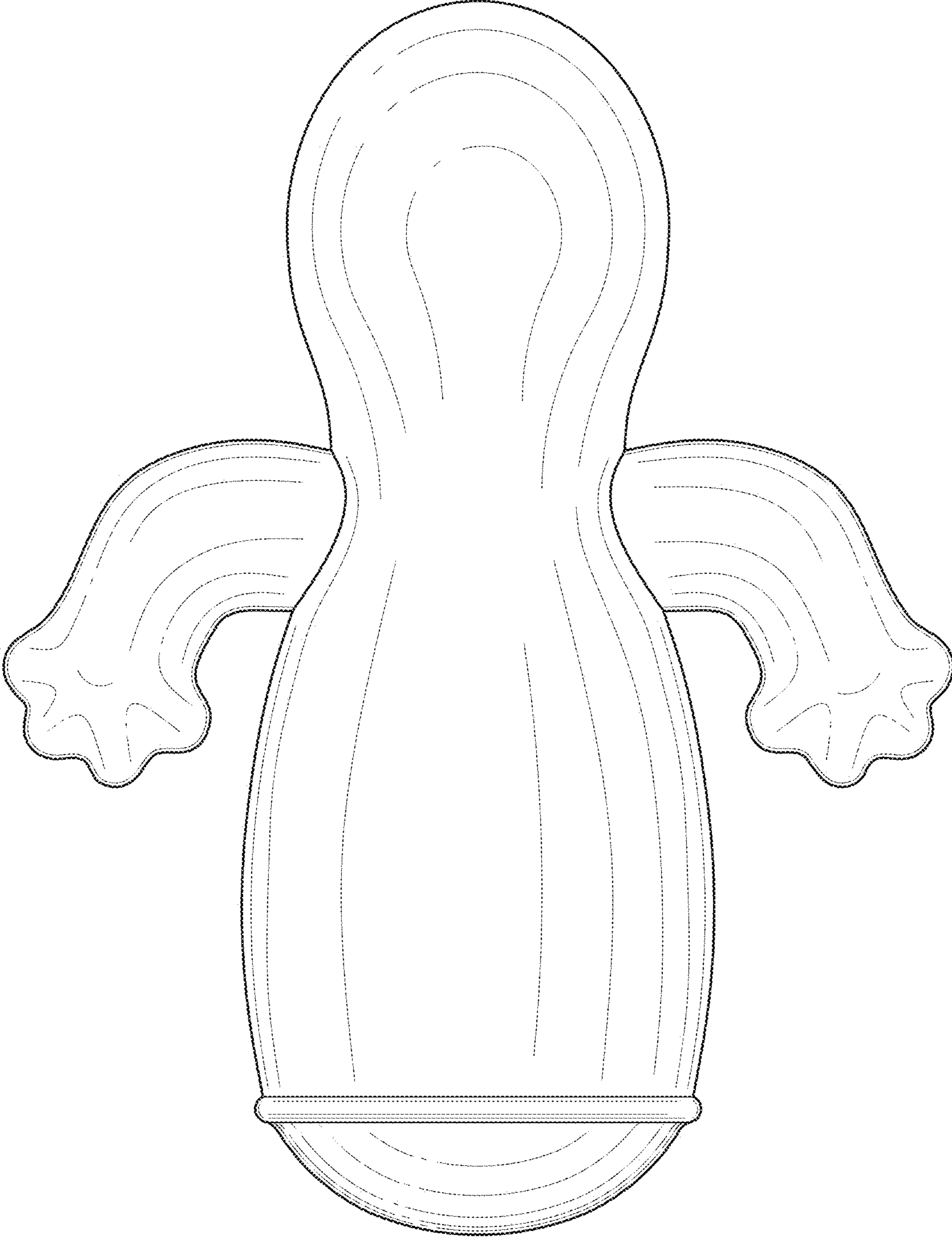


FIG. 2

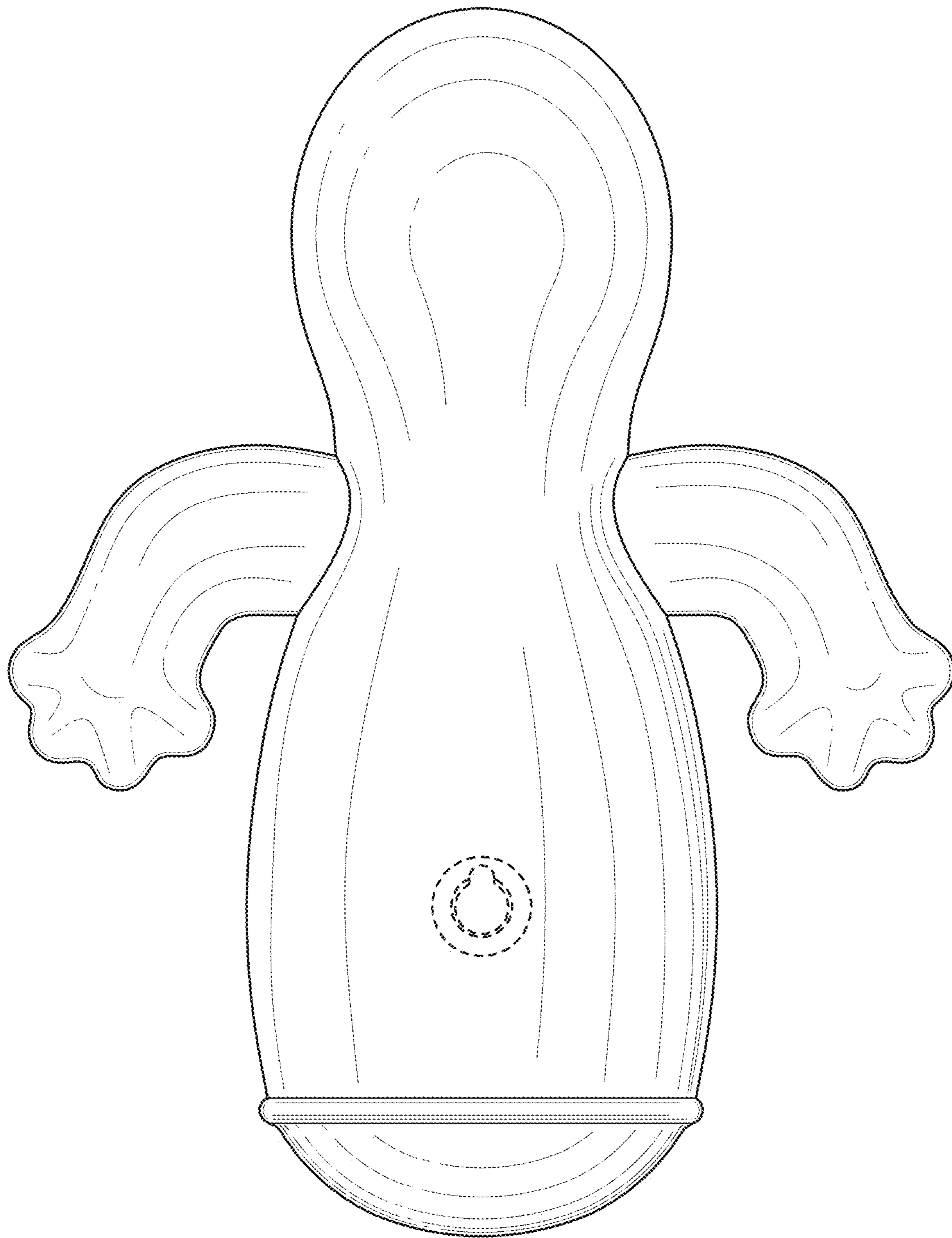


FIG. 3

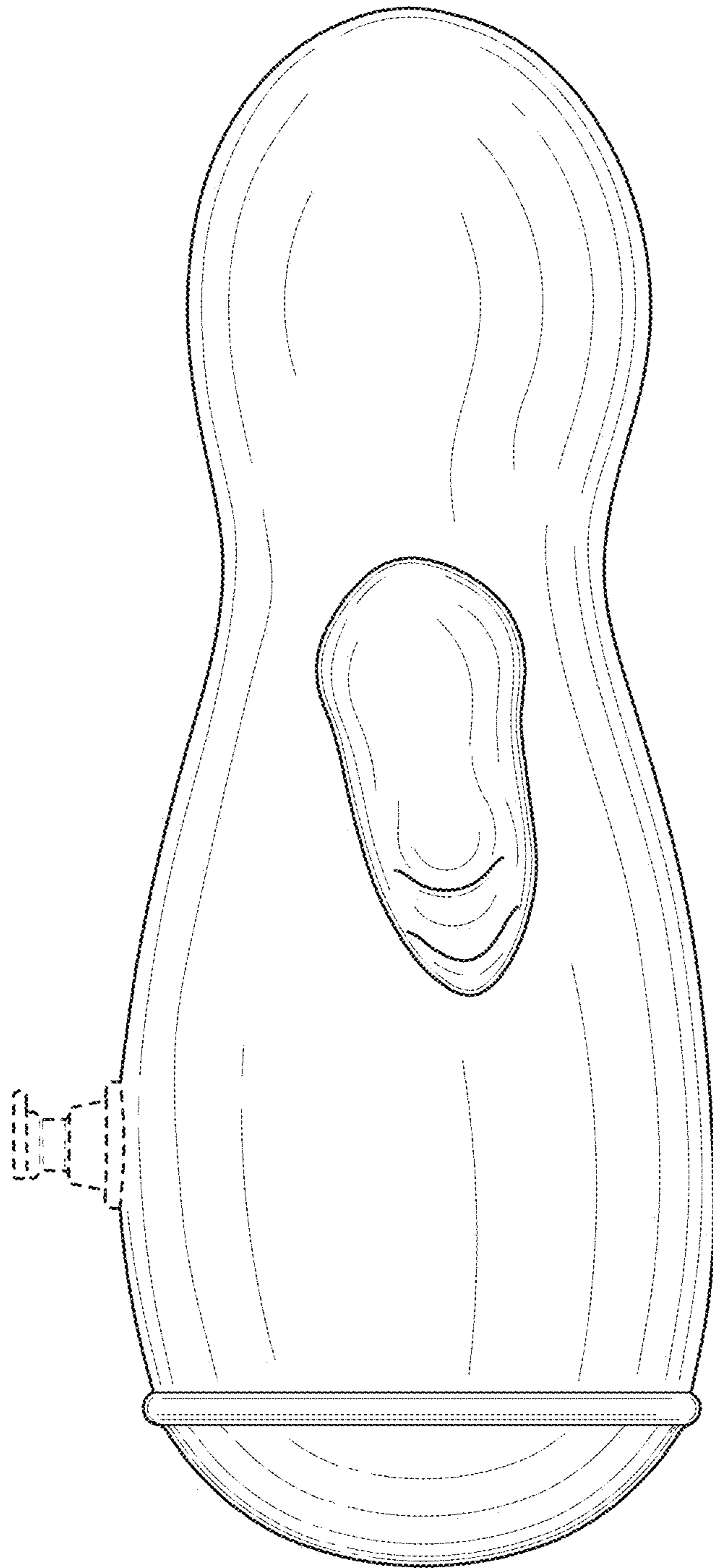


FIG. 4

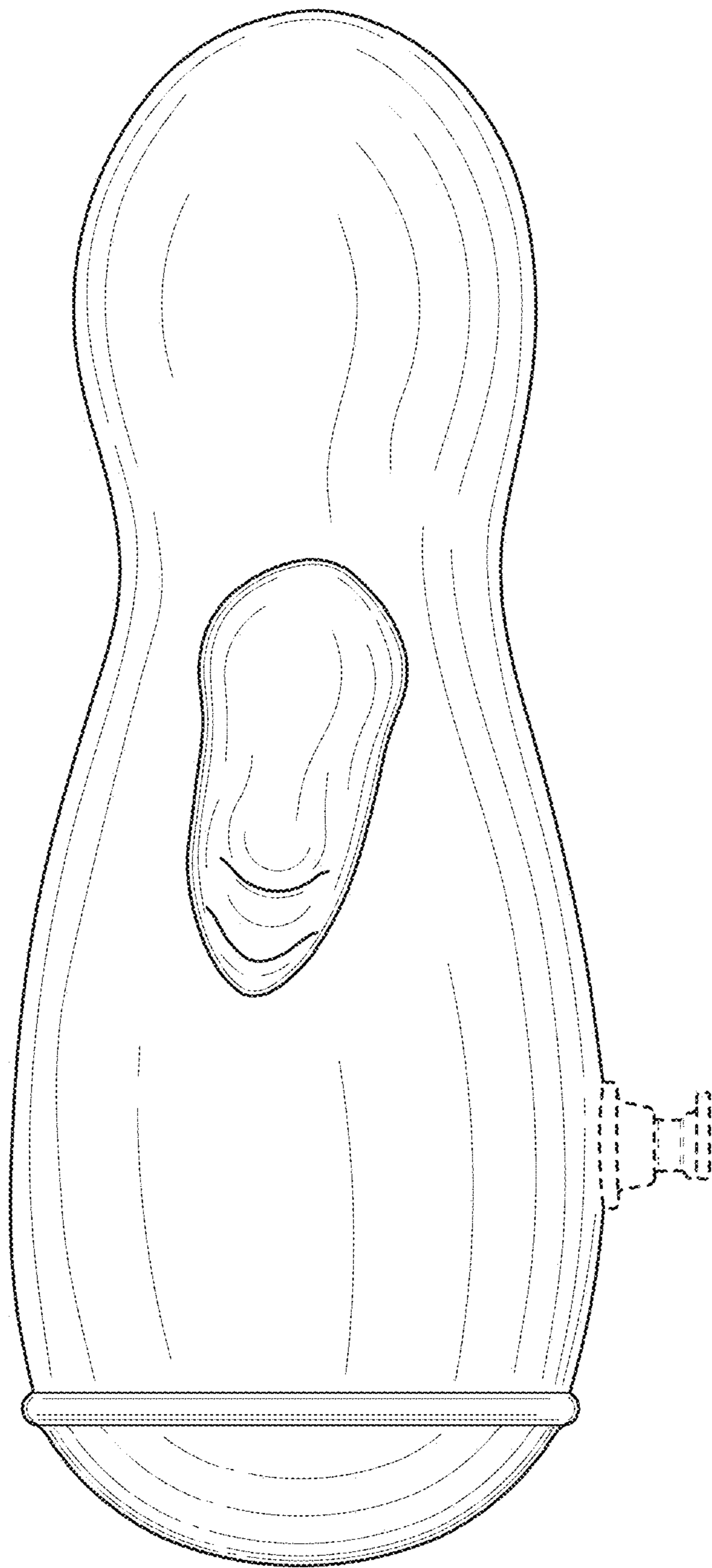


FIG. 5

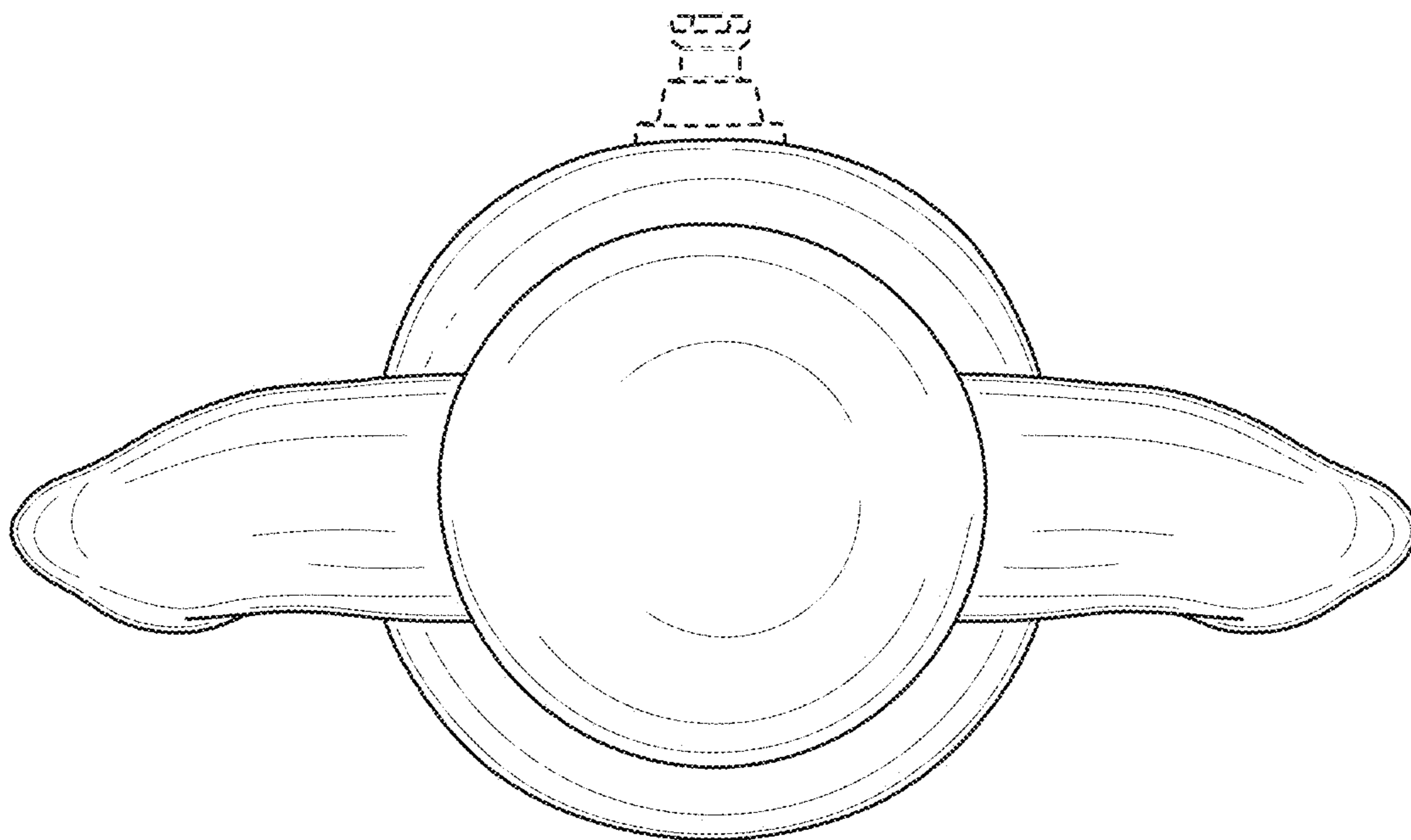


FIG. 6

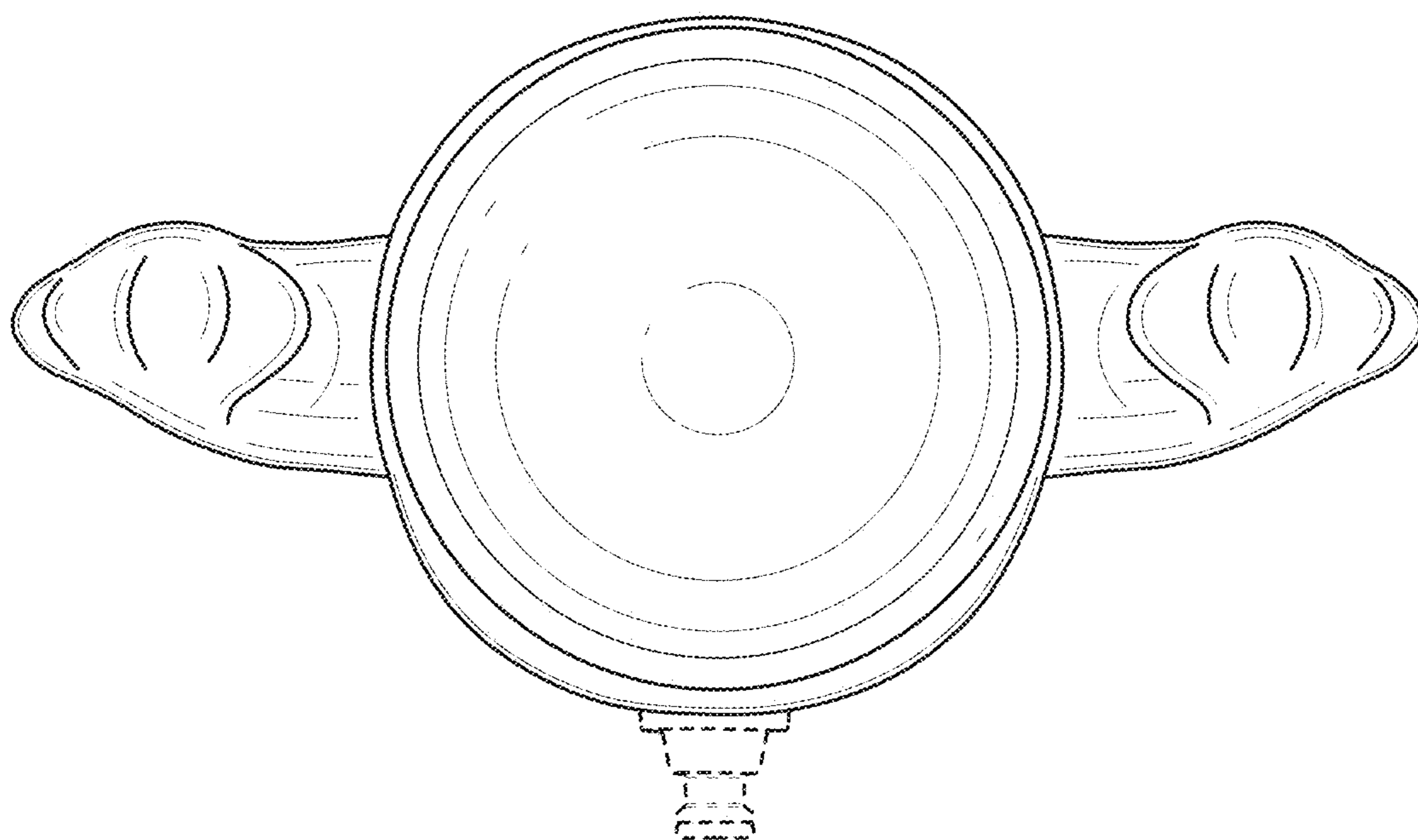


FIG. 7



FIG. 8