



US00D984557S

(12) **United States Design Patent**
Qiu

(10) **Patent No.:** **US D984,557 S**

(45) **Date of Patent:** **** Apr. 25, 2023**

(54) **DOUBLE-TUBED GEL BLASTER**
(71) Applicant: **Guangdong Changding Supply Chain Co. LTD.**, Guangzhou (CN)

D908,816 S 1/2021 Cheng et al.
D916,224 S * 4/2021 Laney D21/573
D957,546 S * 7/2022 Chen D21/573

(72) Inventor: **Linlan Qiu**, Guangzhou (CN)

CN 303533125 * 12/2015
CN 304499954 * 2/2018

(**) Term: **15 Years**

FOREIGN PATENT DOCUMENTS

(21) Appl. No.: **29/846,221**

(22) Filed: **Jul. 14, 2022**

(51) **LOC (14) Cl.** **21-01**

(52) **U.S. Cl.**
USPC **D21/573**; D21/570; D21/572

(58) **Field of Classification Search**
USPC D21/574, 567, 333, 570, 401; D14/418;
D22/100, 103, 104

CPC A63H 5/04; F41B 7/003; F41B 11/00
See application file for complete search history.

OTHER PUBLICATIONS

Amazon Website, Gel Ball Blaster, No Date Available, [Website Visited on Oct. 11, 2022], Available on the internet URL <https://www.amazon.com/HGOC-Blaster-Splatter-Outdoor-Activities/dp/B0B3J3GVZB/> (Year: NA) (Year: 2022).*

(Continued)

Primary Examiner — S. Bryan Reinholdt, Jr.

Assistant Examiner — James T. Tyree

(74) *Attorney, Agent, or Firm* — Xiaofang Zhong

(57) **CLAIM**

The ornamental design for a double-tubed gel blaster, as shown and described.

(56) **References Cited**

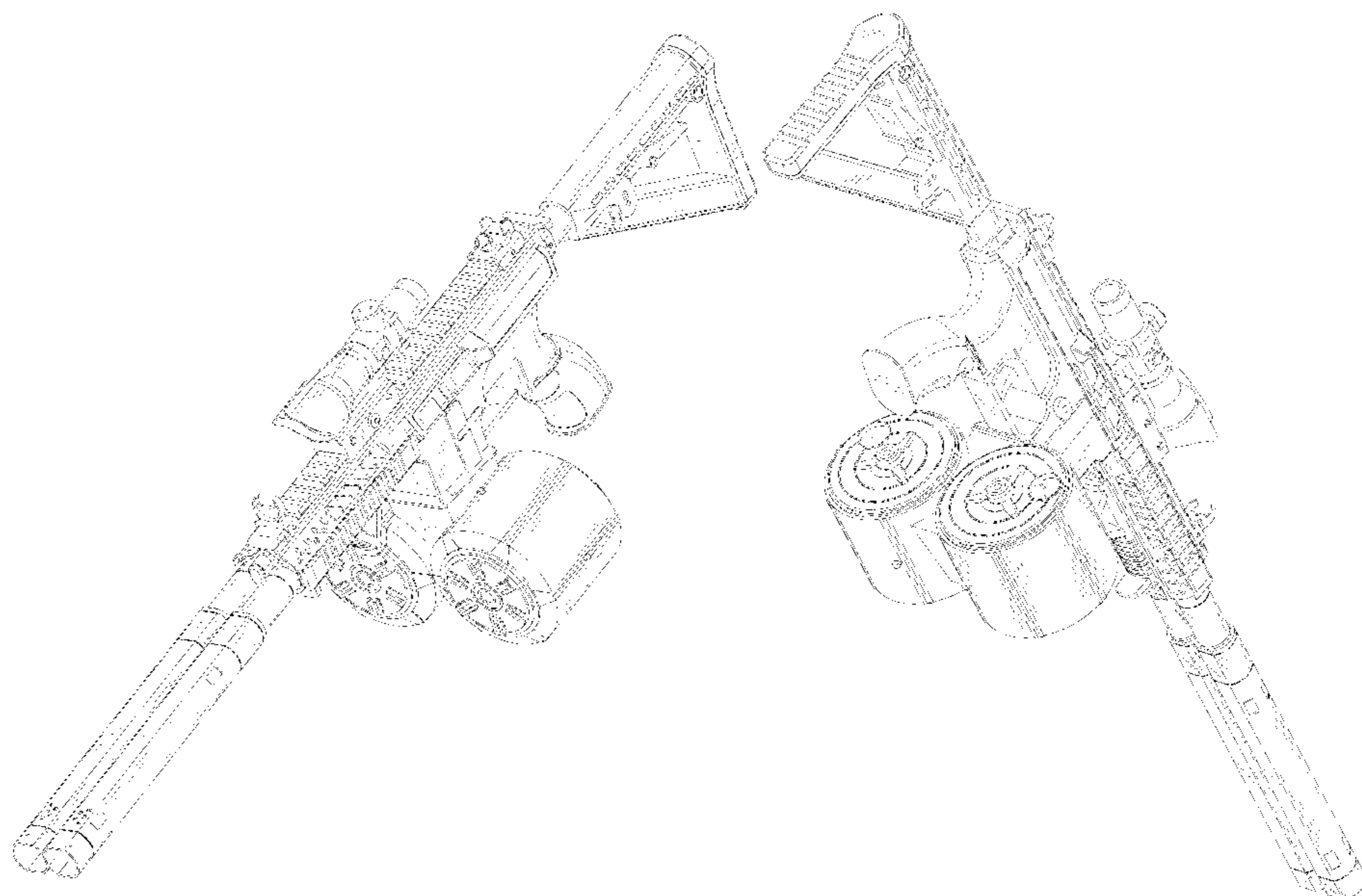
U.S. PATENT DOCUMENTS

- 4,658,700 A * 4/1987 Sullivan F41A 9/37
89/33.02
- 5,456,153 A * 10/1995 Bentley F41A 9/73
89/33.17
- D443,903 S 6/2001 Wang
- 7,441,491 B2 * 10/2008 Snow F41A 9/68
89/33.02
- D638,887 S 5/2011 En
- D660,922 S * 5/2012 Mead D21/573
- D662,152 S 6/2012 Markowitz et al.
- D667,072 S * 9/2012 Kriegleder D22/103
- D733,223 S 6/2015 Chu
- D738,965 S 9/2015 Yang
- D842,390 S 3/2019 Iwasawa
- D864,336 S * 10/2019 Simek D21/573
- D868,190 S * 11/2019 Laney D21/573
- 10,634,449 B2 * 4/2020 Sullivan F41B 11/57
- D903,032 S * 11/2020 Swoboda D21/573

DESCRIPTION

FIG. 1 is a perspective view of a double-tubed gel blaster showing my new design;
FIG. 2 is another perspective view thereof;
FIG. 3 is another perspective view with the front part detached from the double-tubed gel blaster thereof;
FIG. 4 is a front elevational view thereof;
FIG. 5 is a rear elevational view thereof;
FIG. 6 is a left view thereof;
FIG. 7 is a right view thereof;
FIG. 8 is a top plan view thereof; and,
FIG. 9 is a bottom plan view thereof.
The broken lines illustrate portions of the double-tubed gel blaster that form no part of the claimed design.

1 Claim, 9 Drawing Sheets



(56)

References Cited

OTHER PUBLICATIONS

Amazon Website, Splatter Ball Gun, Earliest Comment Date: Jun. 15, 2022 [Website Visited on Sep. 16, 2022], Available on the internet URL <https://www.amazon.com/Splatter-Double-Barrel-Blasters-Electric/dp/B09Y211H2J/> (Year: 2022).*

Amazon Website, Gel Ball Blaster, Earliest Comment Date: Jun. 16, 2022 [Website Visited on Sep. 29, 2022], Available on the internet URL <https://www.amazon.com/Gel-Ball-Blaster-Electric-Splatter/dp/B0B9L7QM1D/> (Year: 2022).*

* cited by examiner

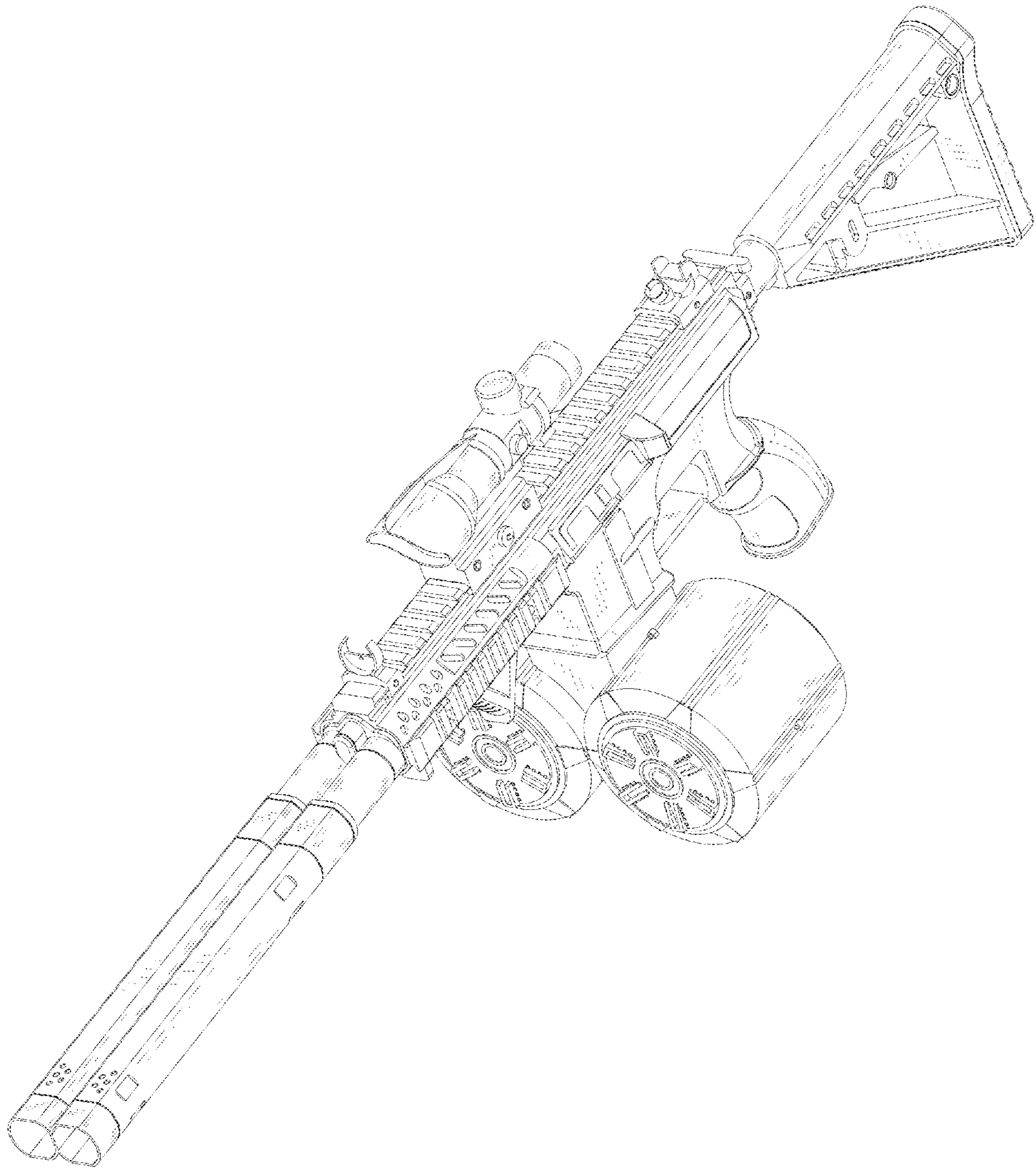


FIG. 1

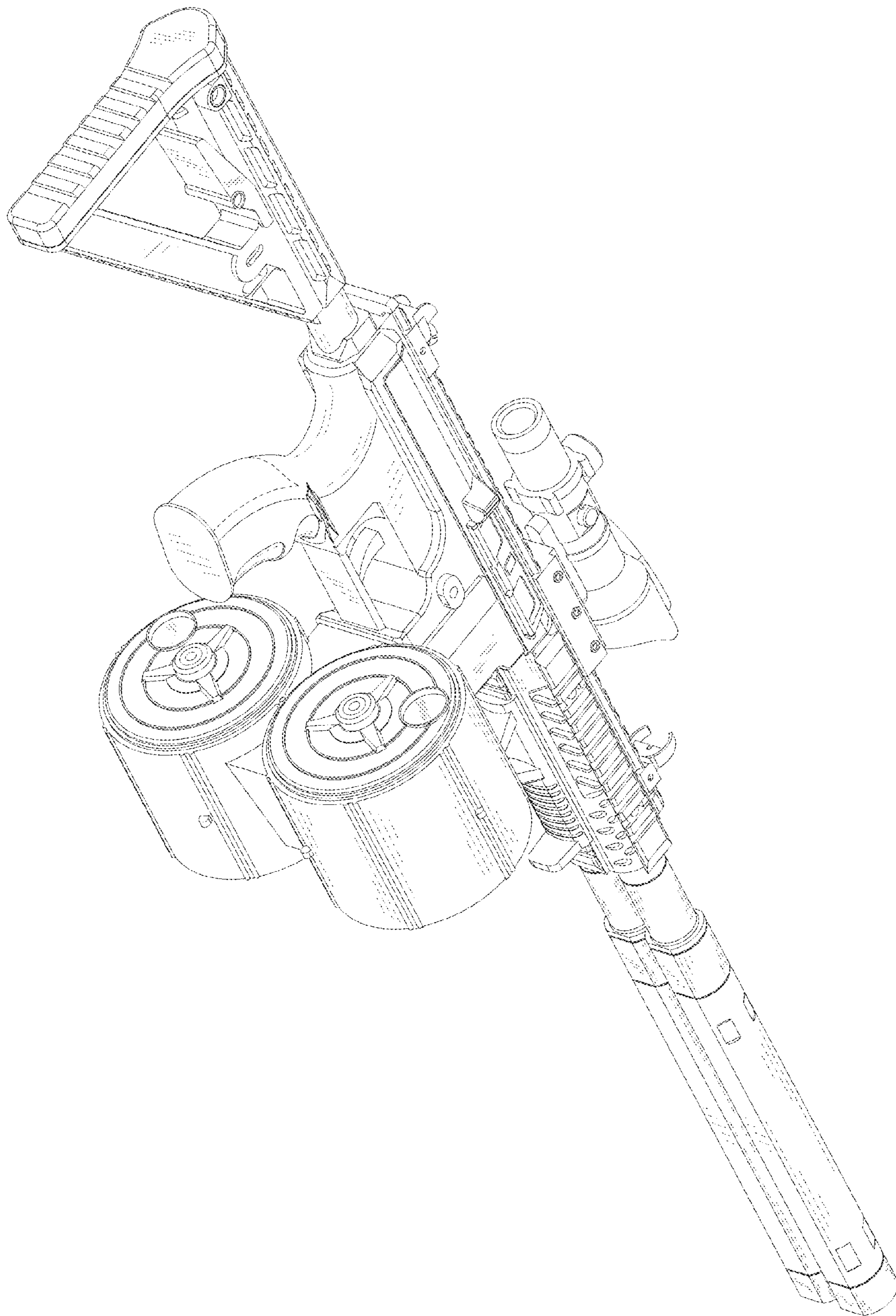


FIG. 2

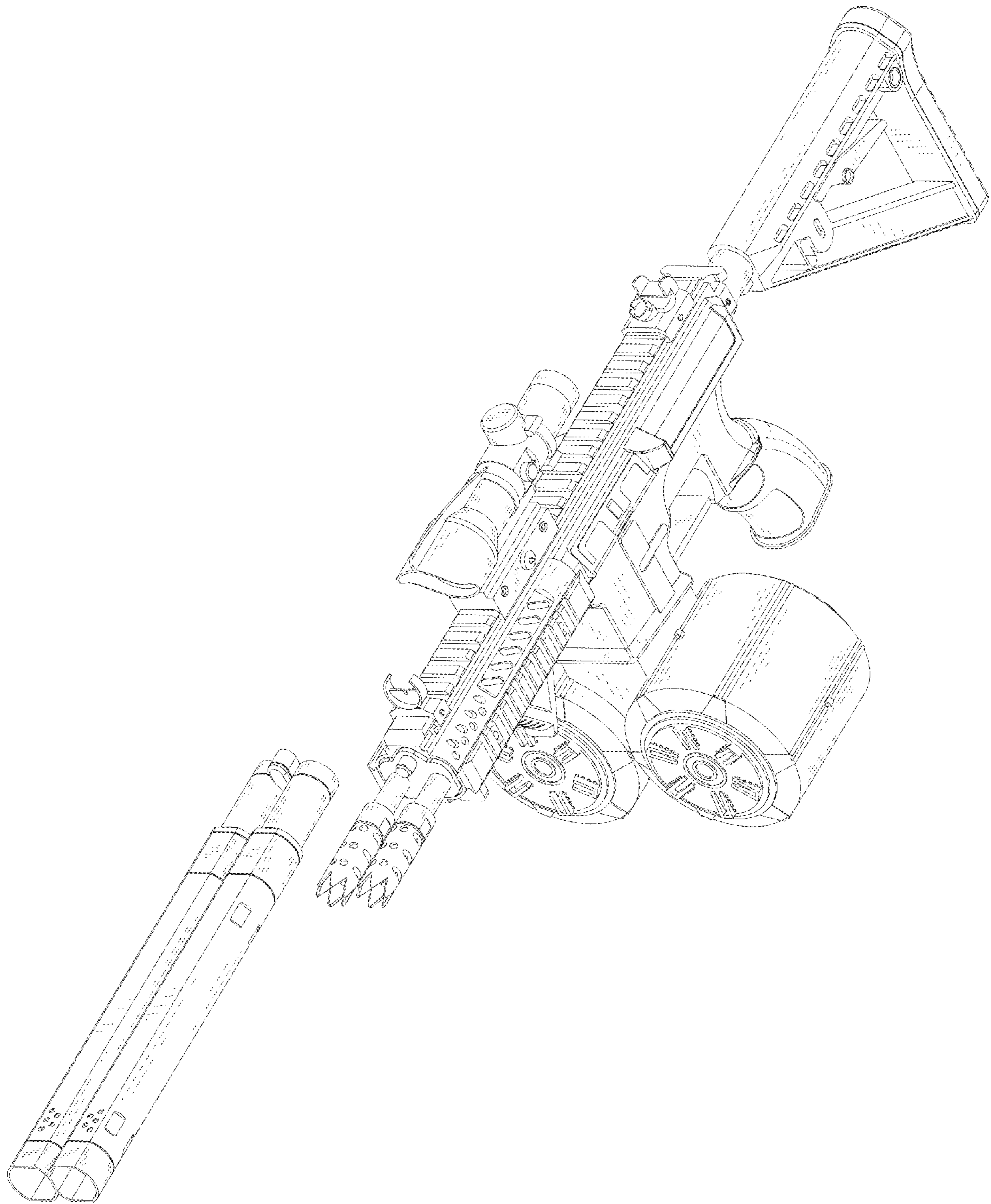


FIG. 3

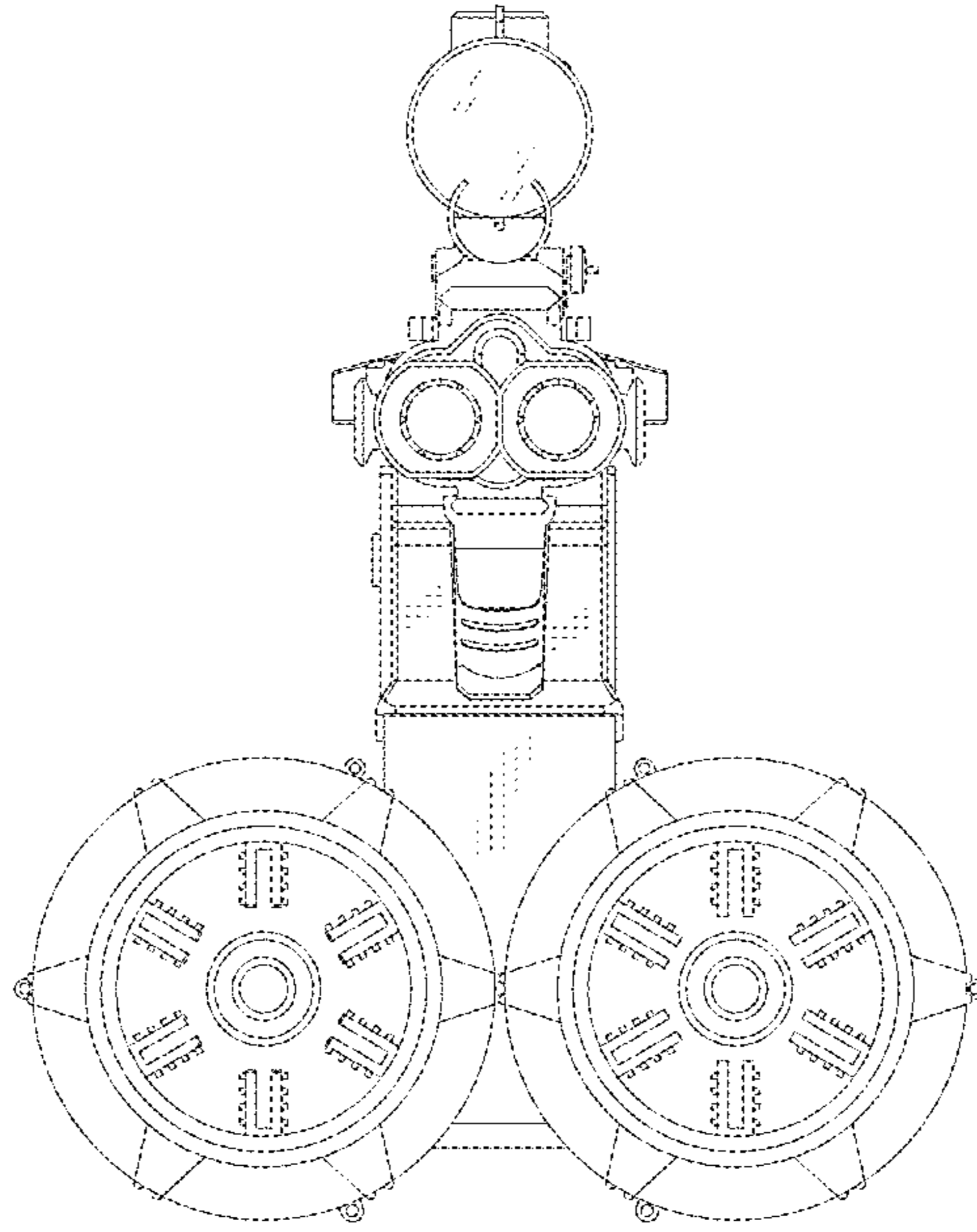


FIG. 4

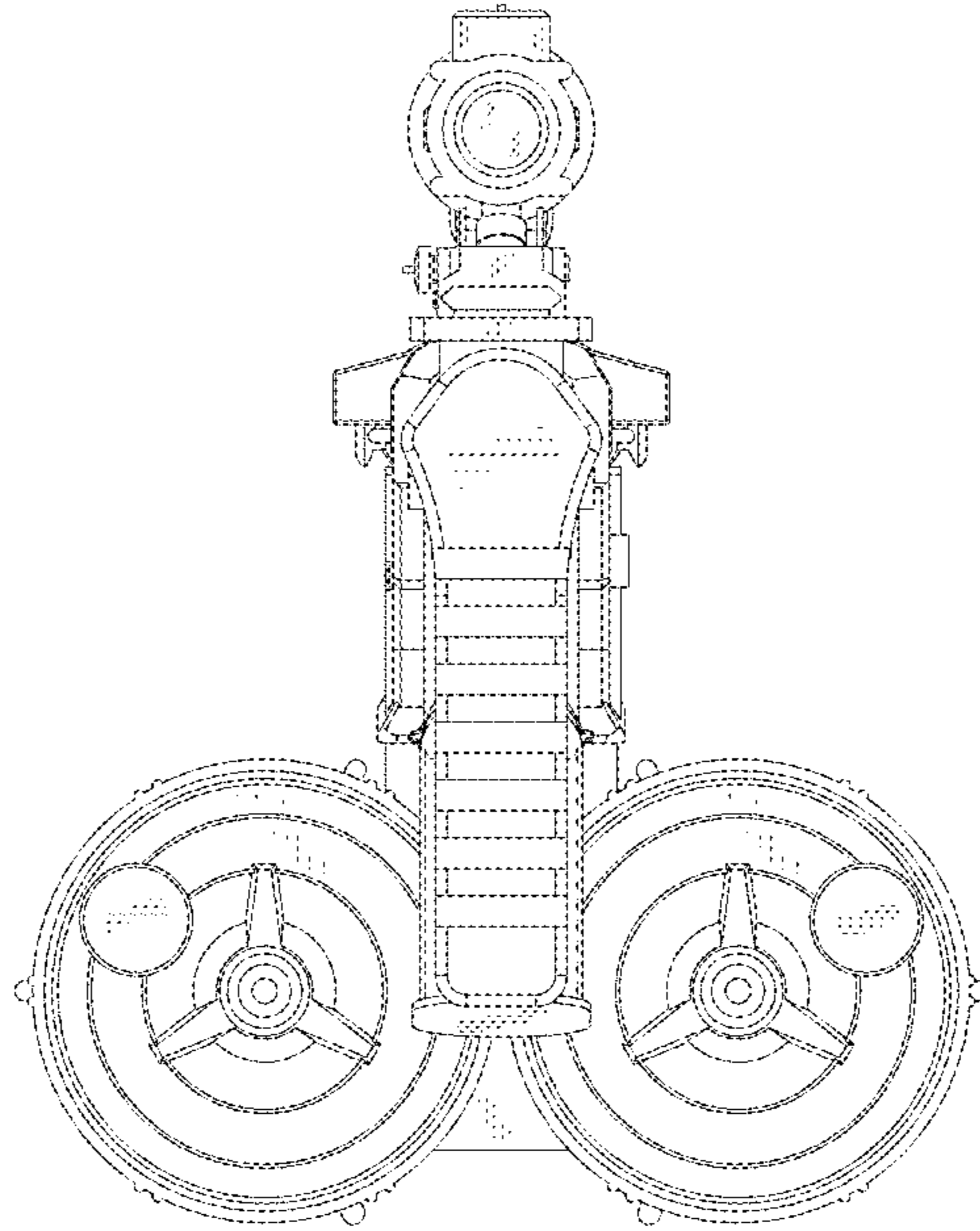


FIG. 5

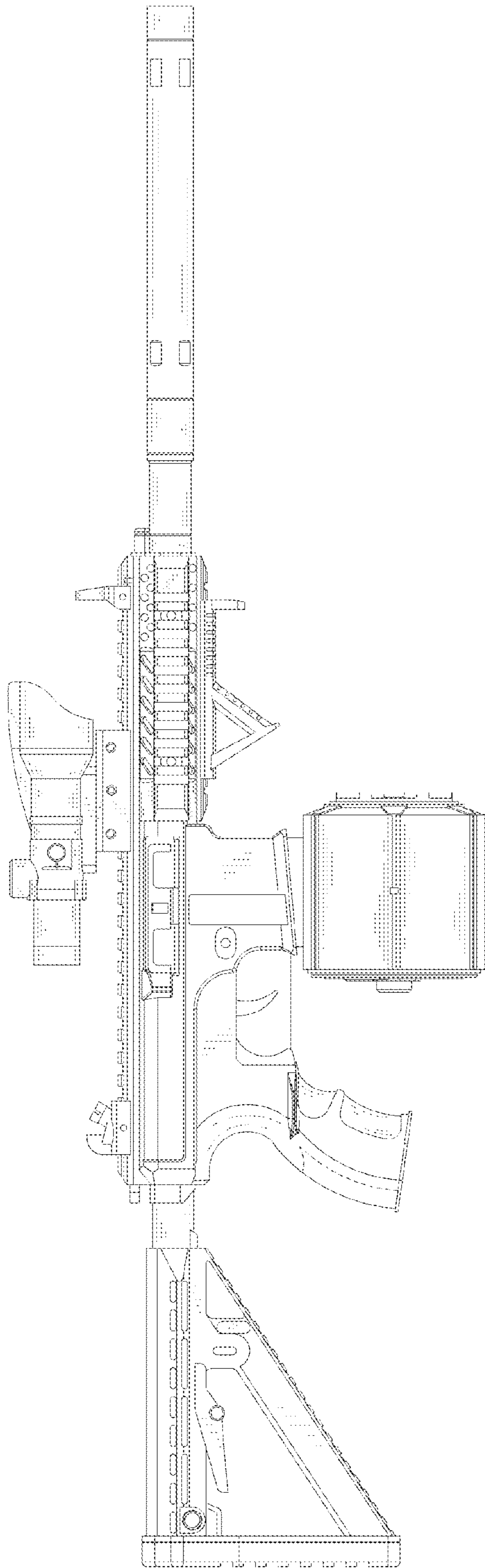


FIG. 6

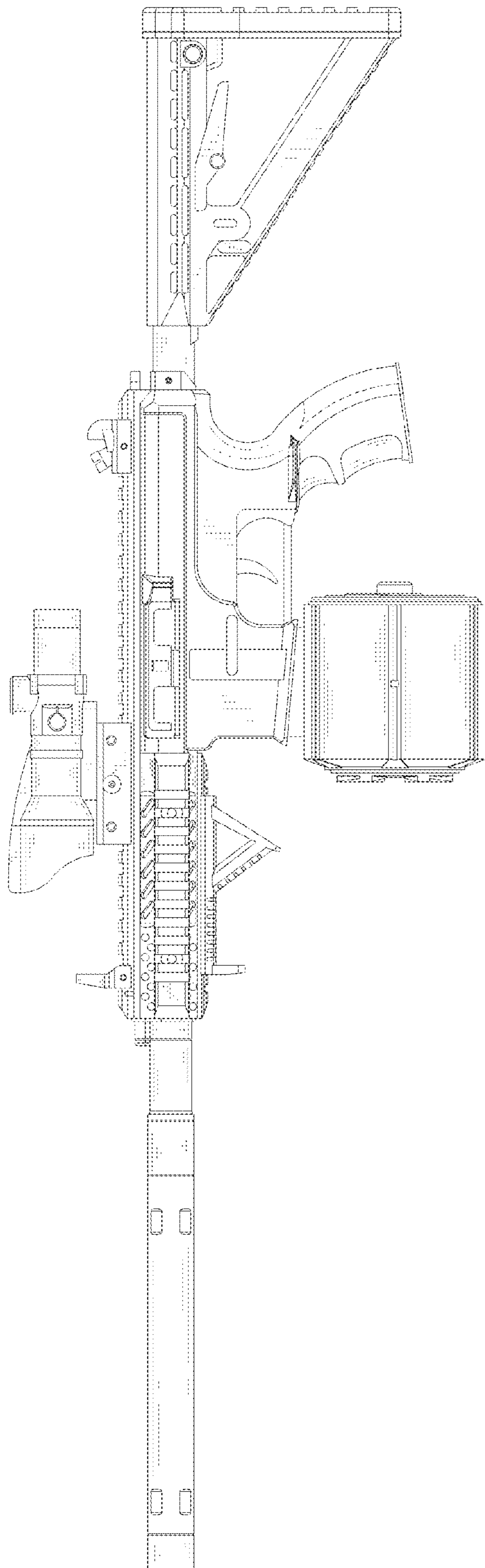


FIG. 7

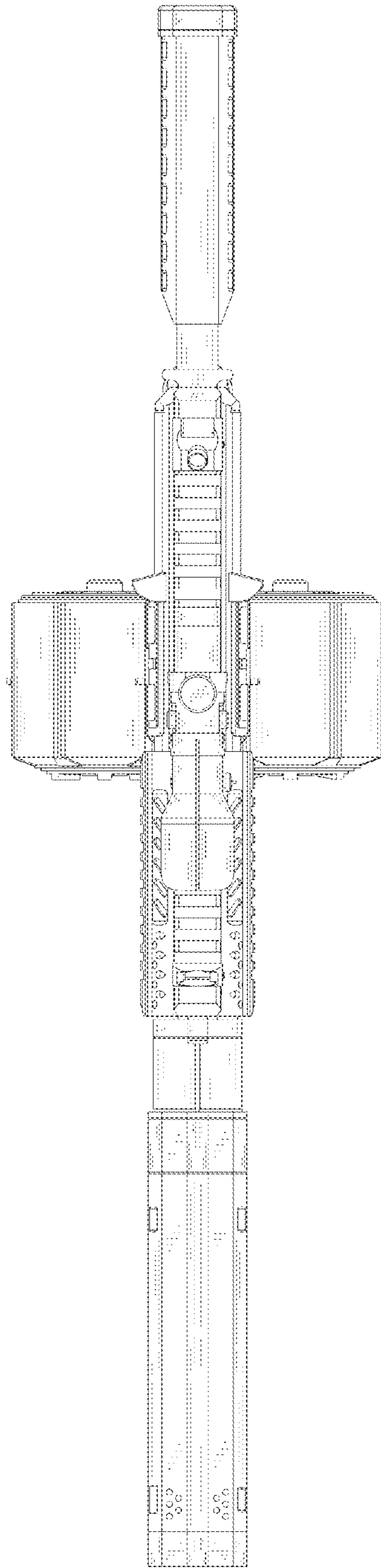


FIG. 8

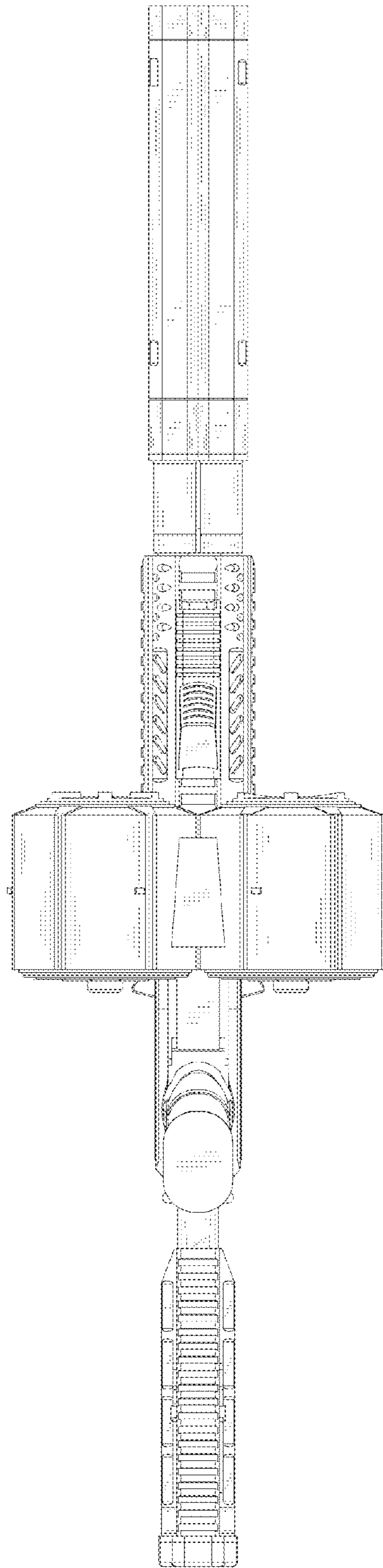


FIG. 9