



US00D984556S

(12) **United States Design Patent**
Huang

(10) **Patent No.:** **US D984,556 S**

(45) **Date of Patent:** **** Apr. 25, 2023**

(54) **TOY GUN**

(71) Applicant: **Hong Huang**, Shantou (CN)

(72) Inventor: **Hong Huang**, Shantou (CN)

(**) Term: **15 Years**

(21) Appl. No.: **29/842,320**

(22) Filed: **Jun. 13, 2022**

(30) **Foreign Application Priority Data**

Mar. 22, 2022 (CN) 202230151685.5

(51) **LOC (14) Cl.** **21-01**

(52) **U.S. Cl.**
USPC **D21/573; D21/570; D21/574**

(58) **Field of Classification Search**
USPC D21/572, 573, 574, 567, 333, 570, 401;
D14/418; D22/100, 103, 104
CPC A63H 33/009; A63H 23/10; F41B 9/0012
See application file for complete search history.

(56) **References Cited**

U.S. PATENT DOCUMENTS

D286,308 S	*	10/1986	Mayer	D21/573
D635,200 S		3/2011	Nadel		
D646,281 S	*	10/2011	Markowitz	D21/333
D693,347 S	*	11/2013	Augustin, Jr.	D14/418
D693,811 S	*	11/2013	Augustin, Jr.	D14/418
D723,114 S		2/2015	Li		
D842,390 S		3/2019	Iwasawa		
D853,516 S	*	7/2019	Özaysin	D22/103
D908,816 S	*	1/2021	Cheng	D21/573
D928,901 S	*	8/2021	Ren	D21/574
D947,291 S	*	3/2022	Wu	D21/573
D948,634 S	*	4/2022	Lin	D21/573
D958,263 S	*	7/2022	Li	D21/573

FOREIGN PATENT DOCUMENTS

CN	306443629	*	4/2021
CN	307385395	*	6/2022
EM	008936587-0001	*	4/2022

OTHER PUBLICATIONS

Amazon Website, Bubble Gun, Earliest Comment Date: May 28, 2021, [Website Visited on Sep. 16, 2022], Available on the internet URL <https://www.amazon.com/JOYIN-Blaster-Solution-Batteries-Activity/dp/B08TM1B4PL> (Year: 2021).*

(Continued)

Primary Examiner — S. Bryan Reinholdt, Jr.

Assistant Examiner — James T Tyree

(74) *Attorney, Agent, or Firm* — Runit Ranjit Kanakia

(57) **CLAIM**

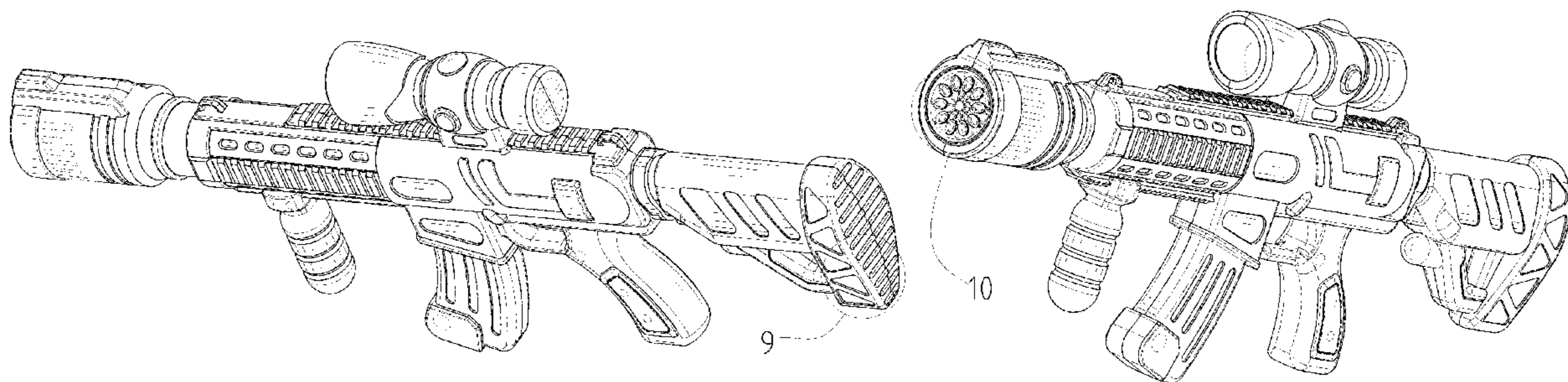
The ornamental design for a toy gun, as shown and described.

DESCRIPTION

FIG. 1 is a first perspective view of a toy gun showing my new design;
FIG. 2 is a second perspective view thereof;
FIG. 3 is a front view thereof;
FIG. 4 is a back view thereof;
FIG. 5 is a left side view thereof;
FIG. 6 is a right side view thereof;
FIG. 7 is a top view thereof;
FIG. 8 is a bottom view thereof;
FIG. 9 is an enlarged view of the selected portion 9 in FIG. 1; and,
FIG. 10 is an enlarged view of the selected portion 10 in FIG. 2.

The broken lines shown in the drawings depict portions of the toy gun that form no part of the claimed design. The dot dash dot broken lines depict boundaries of the detailed enlargement that form no part of the claimed design.

1 Claim, 10 Drawing Sheets



(56)

References Cited

OTHER PUBLICATIONS

Amazon Website, Popper Air Guns, Earliest Comment Date: Aug. 26, 2020, [Website Visited on Sep. 16, 2022], Available on the internet URL <https://www.amazon.com/YEEBAY-Shooting-Game-Years-Kids/dp/B087FCMPWW/> (Year: 2020).*

* cited by examiner

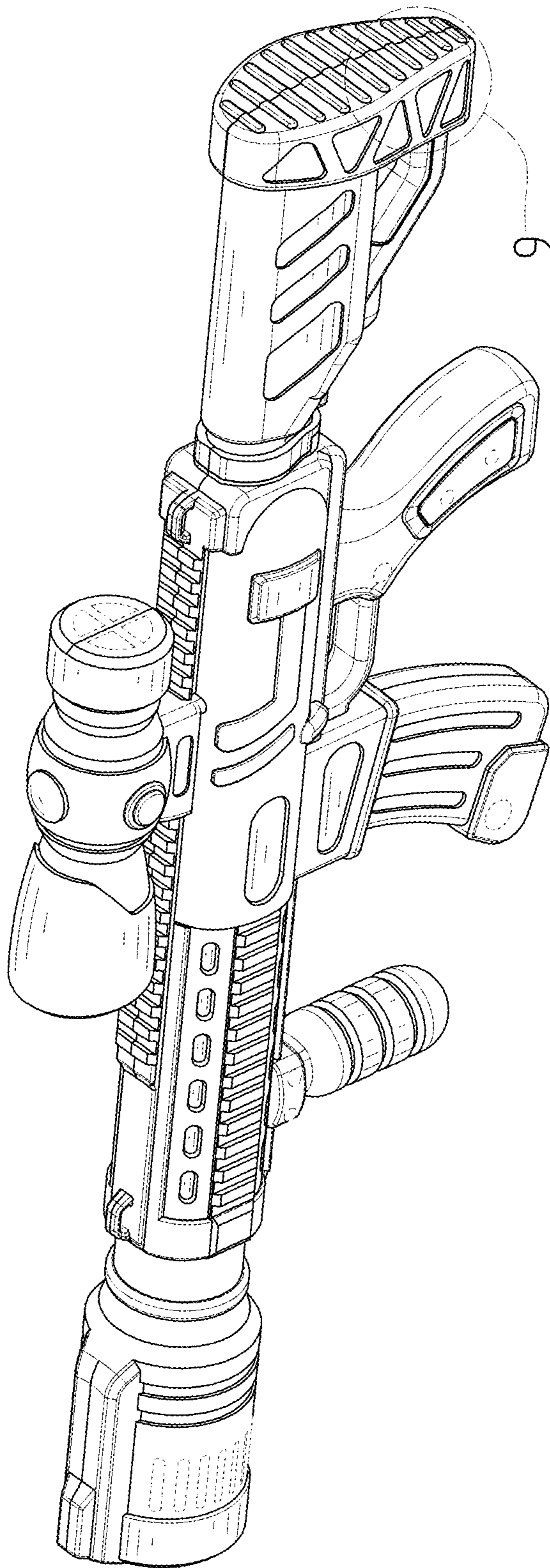


FIG. 1

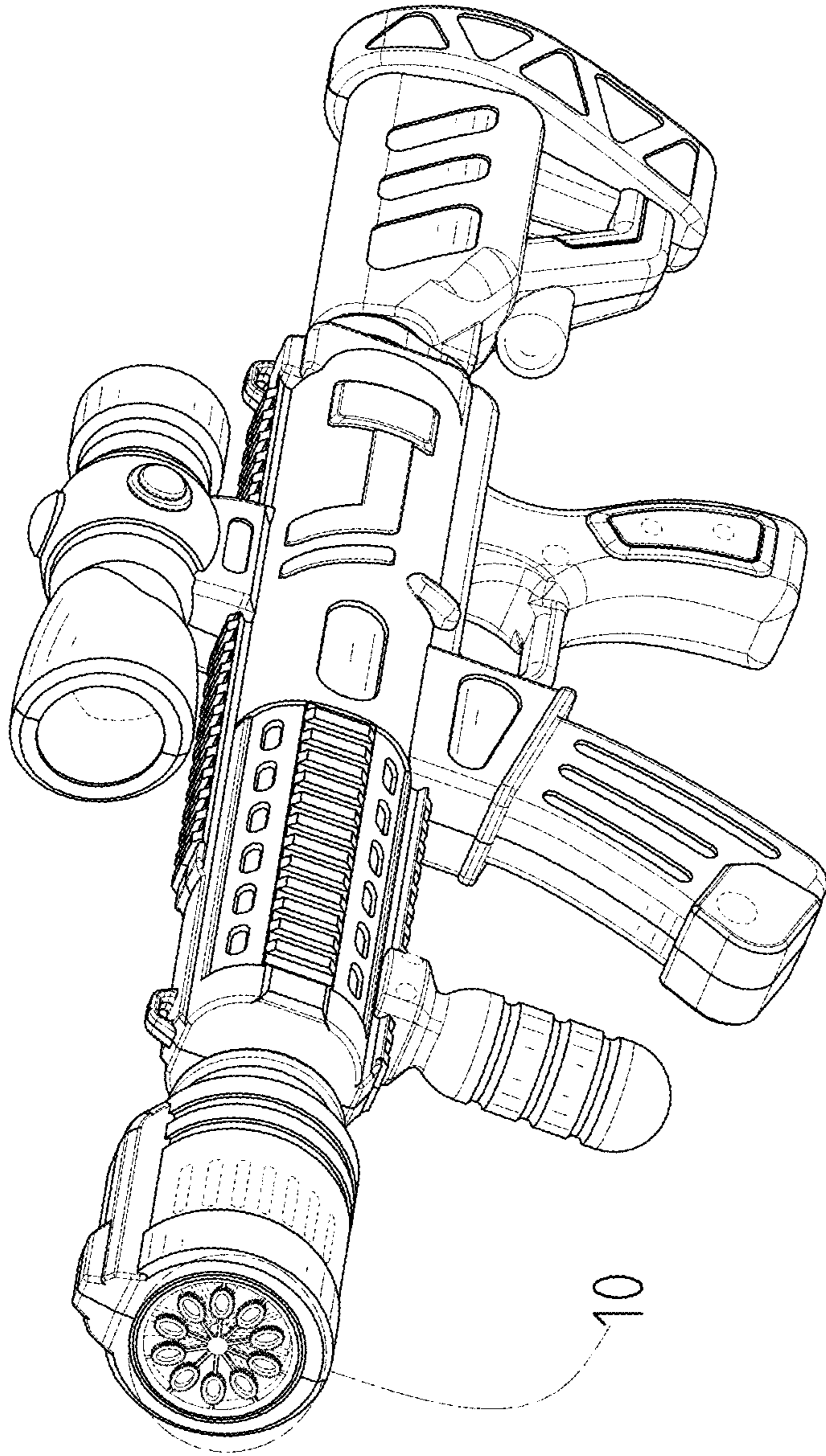


FIG. 2

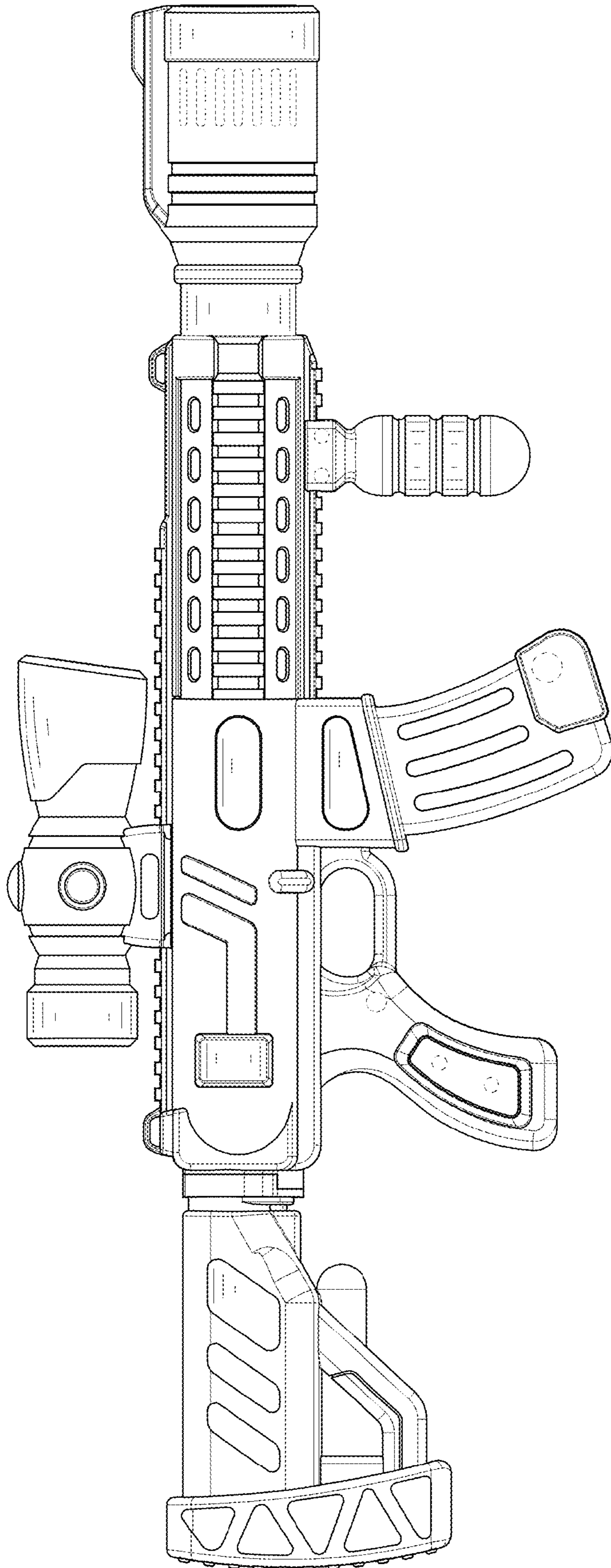


FIG. 3

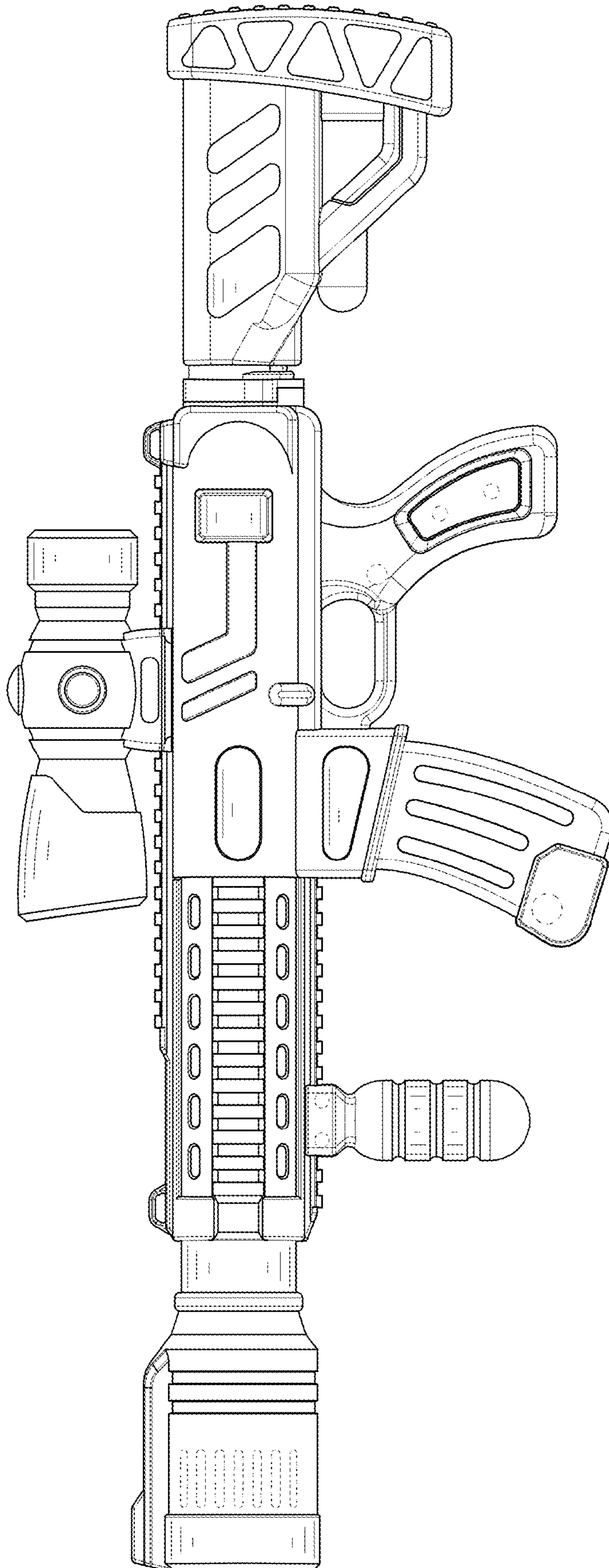


FIG. 4

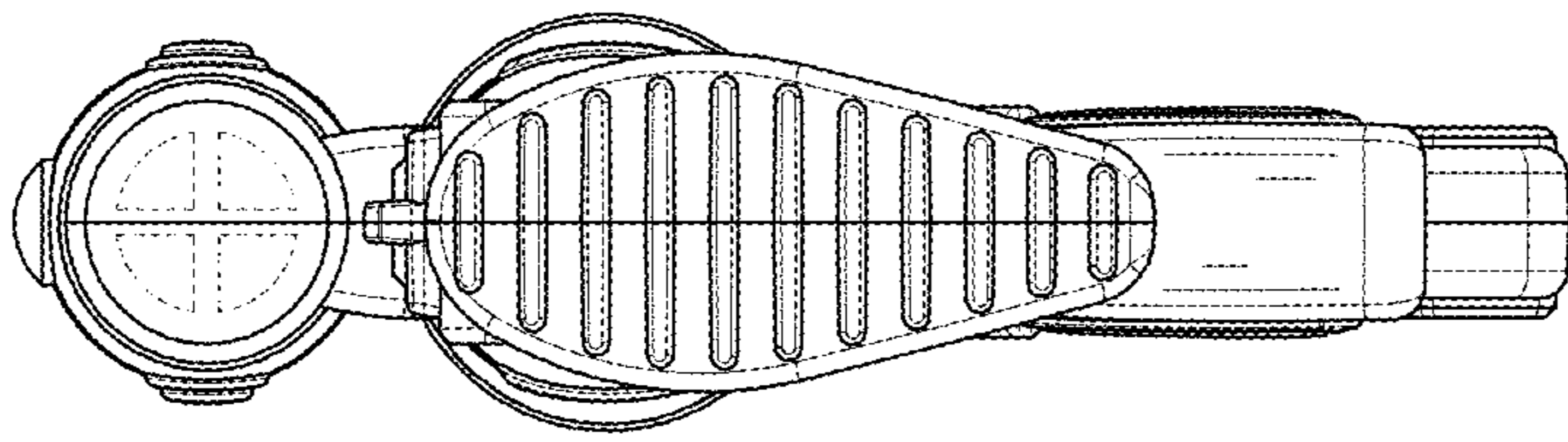


FIG. 5

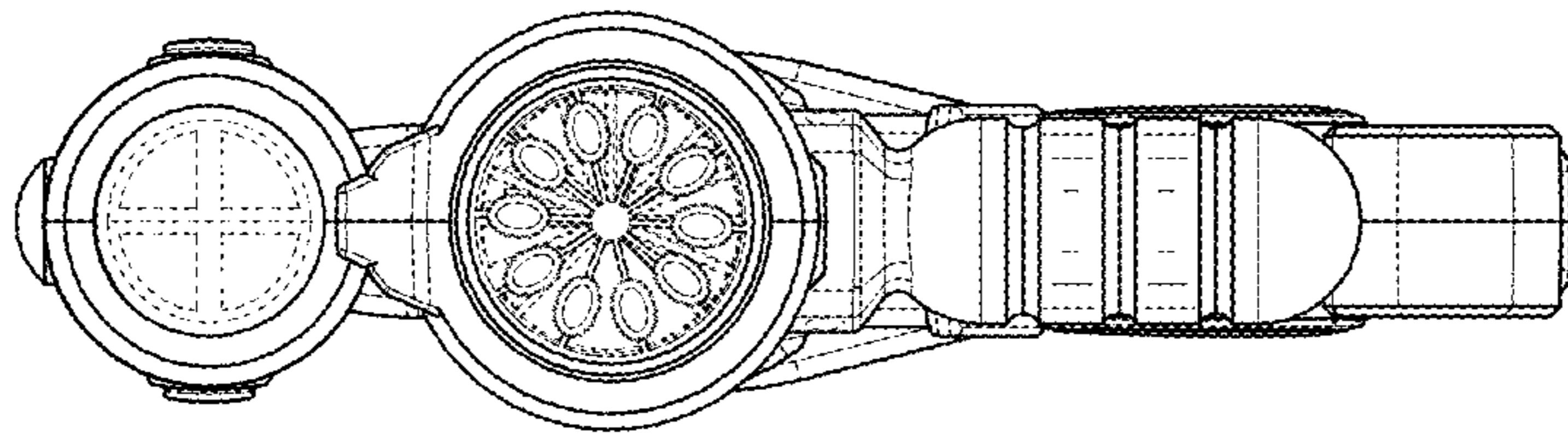


FIG. 6

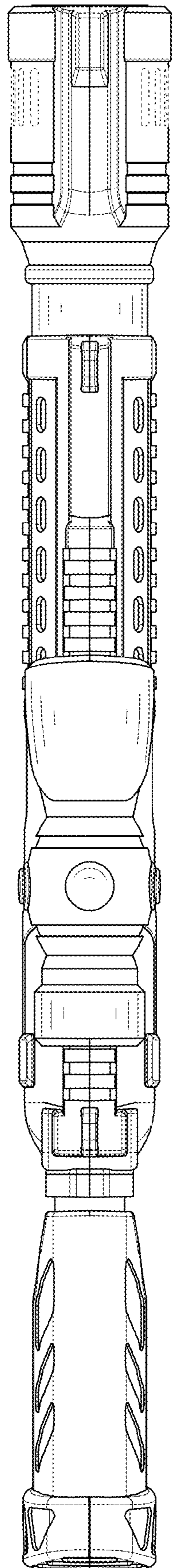


FIG. 7

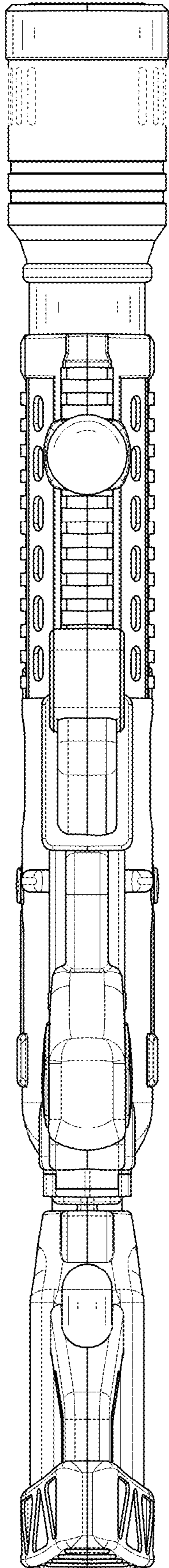


FIG. 8

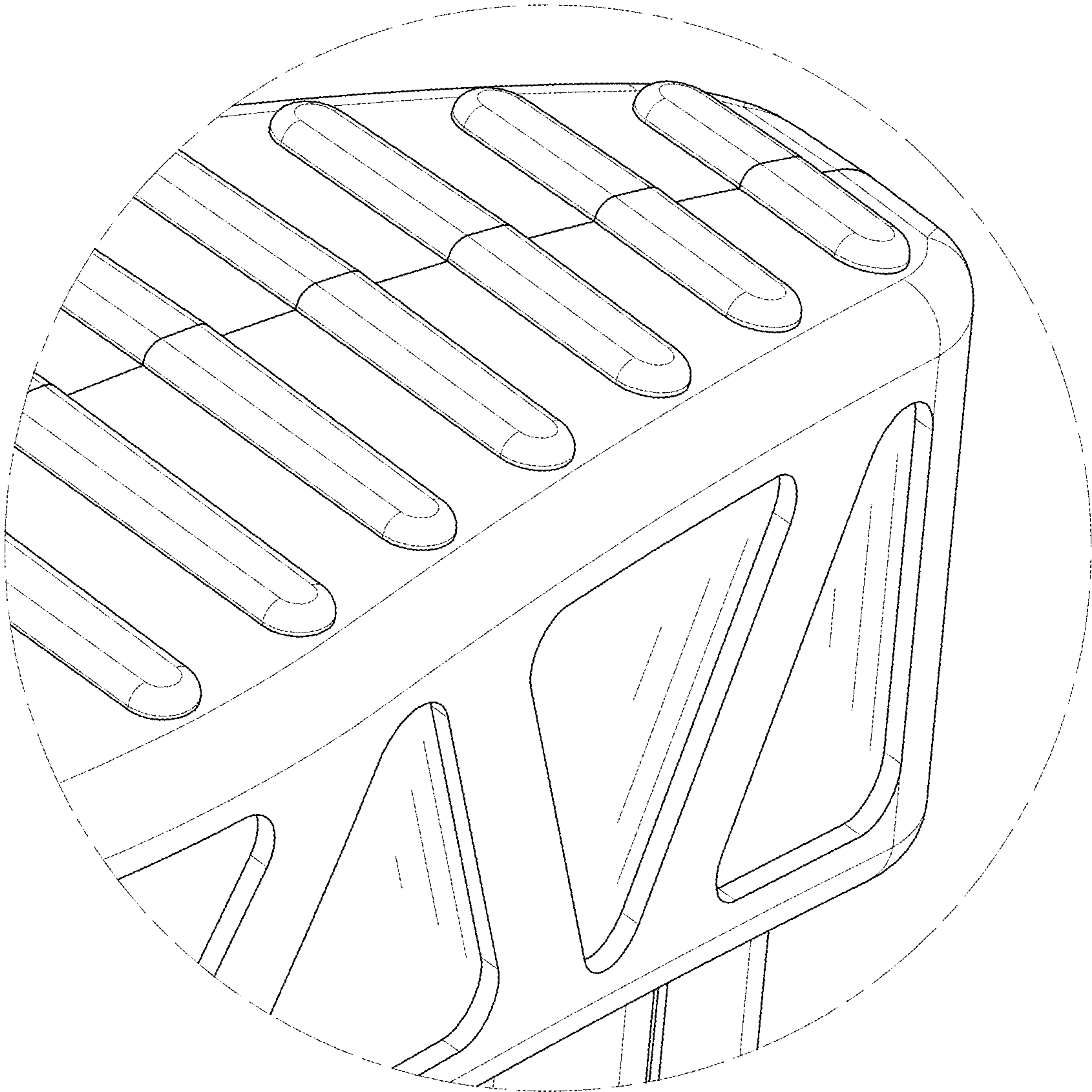


FIG. 9

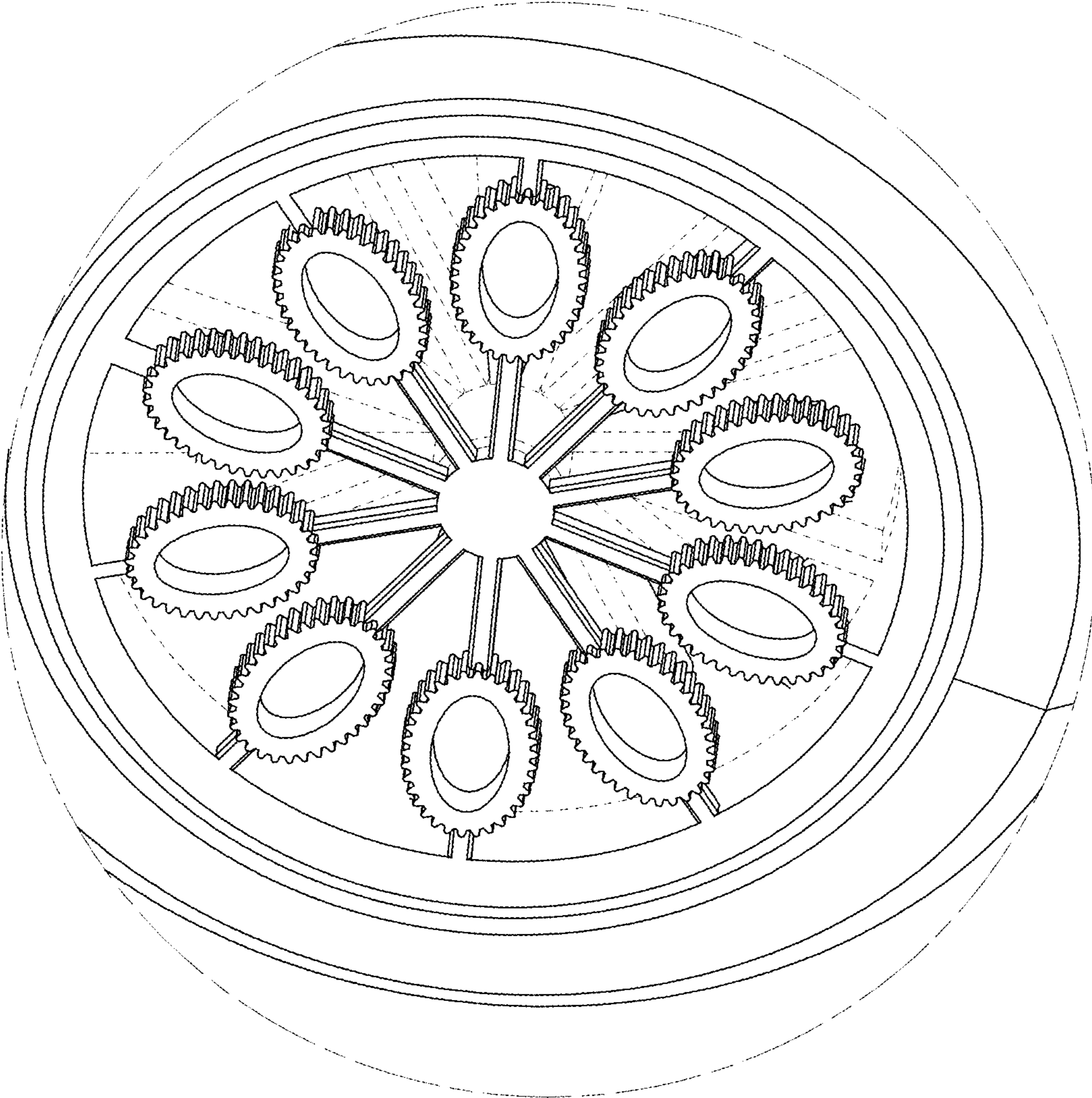


FIG. 10