



US00D984555S

(12) **United States Design Patent** (10) **Patent No.:** **US D984,555 S**
Ma (45) **Date of Patent:** **** Apr. 25, 2023**

(54) **TOY GUN**

(71) Applicant: **Linyi Ruifeng New Material Technology Co., Ltd., Shandong (CN)**

(72) Inventor: **Bujian Ma, Shandong (CN)**

(73) Assignee: **Linyi Ruifeng New Material Technology Co., Ltd., Shandong (CN)**

(**) Term: **15 Years**

(21) Appl. No.: **29/814,452**

(22) Filed: **Nov. 5, 2021**

(51) **LOC (14) Cl.** **21-01**

(52) **U.S. Cl.**
USPC **D21/573**

(58) **Field of Classification Search**
USPC D21/483, 567, 573, 574, 575, 636;
446/401, 473; 124/27; 42/54; 273/349;
D22/103, 104, 108, 115
CPC .. F41B 11/89; F41B 11/62; F41B 7/08; A63H
5/04; F41C 3/005; F41C 7/00
See application file for complete search history.

(56) **References Cited**

U.S. PATENT DOCUMENTS

D803,955 S *	11/2017	Martelli	D21/573
10,322,355 B1 *	6/2019	Liu	A63H 5/04
D864,336 S *	10/2019	Simek	D21/573
D903,032 S *	11/2020	Swoboda	D21/573
D962,356 S *	8/2022	Gong	D21/573
D966,432 S *	10/2022	Chen	D21/573
D973,790 S *	12/2022	Deng	D21/573
D978,262 S *	2/2023	Wu	D21/573
2018/0202752 A1 *	7/2018	Buys	F41B 11/55

OTHER PUBLICATIONS

Electric Gel Ball Blaster Toy,Eco-Friendly Splatter Ball Blaster Automatic, with 60000+ Water Beads and Goggles, for Outdoor

Activities, as shown in www.amazon.com, Apr. 17, 2022. ASIN B09TXGP4JQ. (Year: 2022).*

Gel Ball Blaster Automatic—M416 Splatter Ball Blaster with 40K Water Beads & HD Goggles—Electric Gel Ball Blaster, Splatter-Blaster, Orby Blaster, Orbi Blaster, Splatter-Toy Blaster Gift (Marble), as shown in www.amazon.com, Aug. 1, 2022. ASIN B0BBTZ3FDM. (Year: 2022).*

* cited by examiner

Primary Examiner — Gino Colan

Assistant Examiner — Gregory G McLemore

(74) *Attorney, Agent, or Firm* — ScienBiziP, P.C.

(57) **CLAIM**

The ornamental design for a toy gun, as shown and described.

DESCRIPTION

FIG. 1 is a front, left, and top perspective view of a toy gun, showing my design.

FIG. 2 is a rear, right, and bottom elevation view thereof

FIG. 3 is a front elevation view thereof.

FIG. 4 is a rear elevation view thereof.

FIG. 5 is a left side elevation view thereof.

FIG. 6 is a right side elevation view thereof.

FIG. 7 is a top plan view thereof.

FIG. 8 is a bottom plan view thereof.

FIG. 9 is a partial enlarged view of an area labeled 9 in FIG. 1 comprising a barrel.

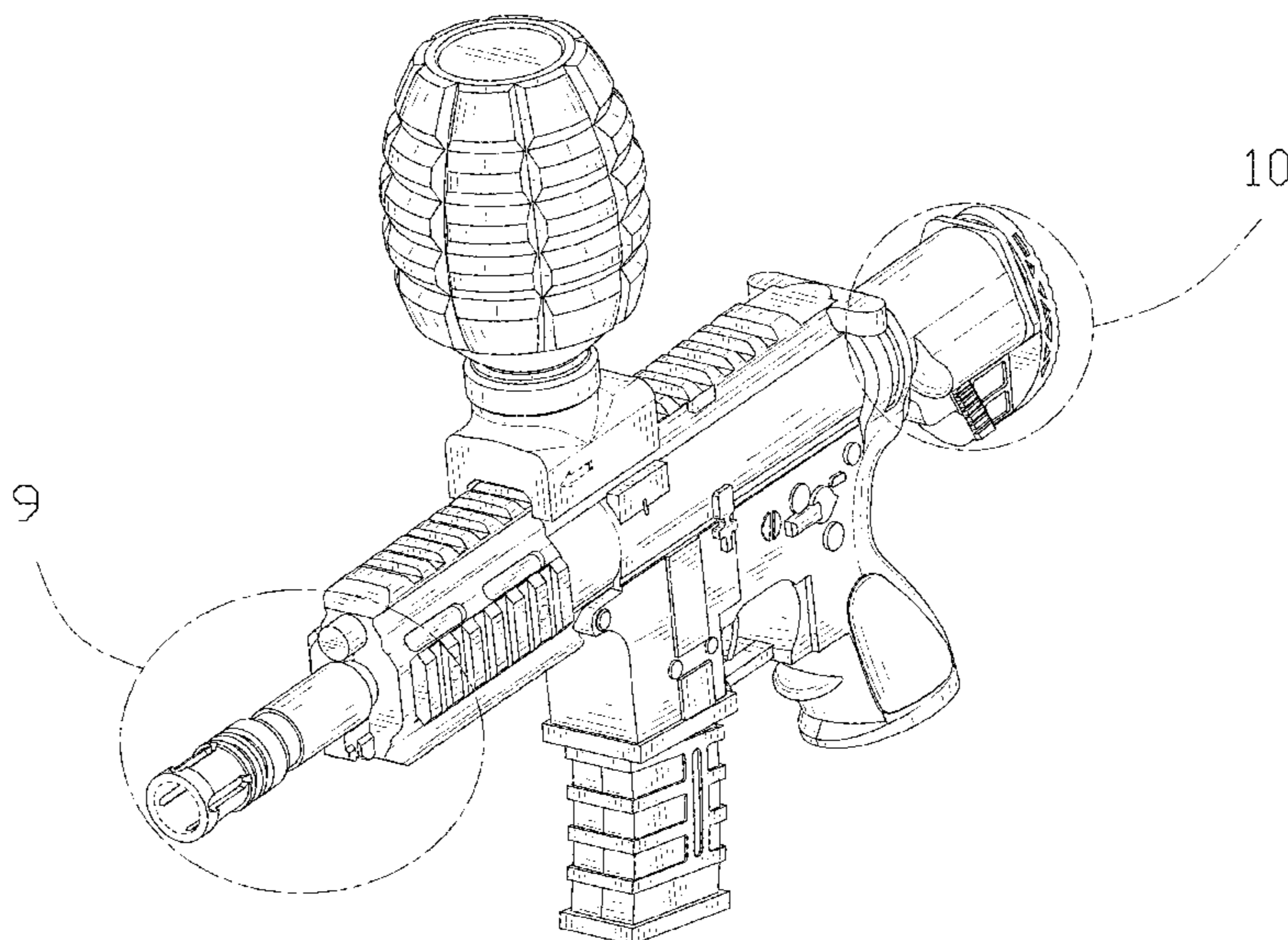
FIG. 10 is a partial enlarged view of an area labeled 10 in FIG. 1 comprising a butt.

FIG. 11 is a partial enlarged view of an area labeled 11 in FIG. 2 comprising a butt; and,

FIG. 12 is a partial enlarged view of an area labeled 12 in FIG. 2 comprising a bullet chamber.

The broken lines shown in the drawings are included for the purpose of illustrating portions of the toy gun that form no part of the claimed design.

1 Claim, 12 Drawing Sheets



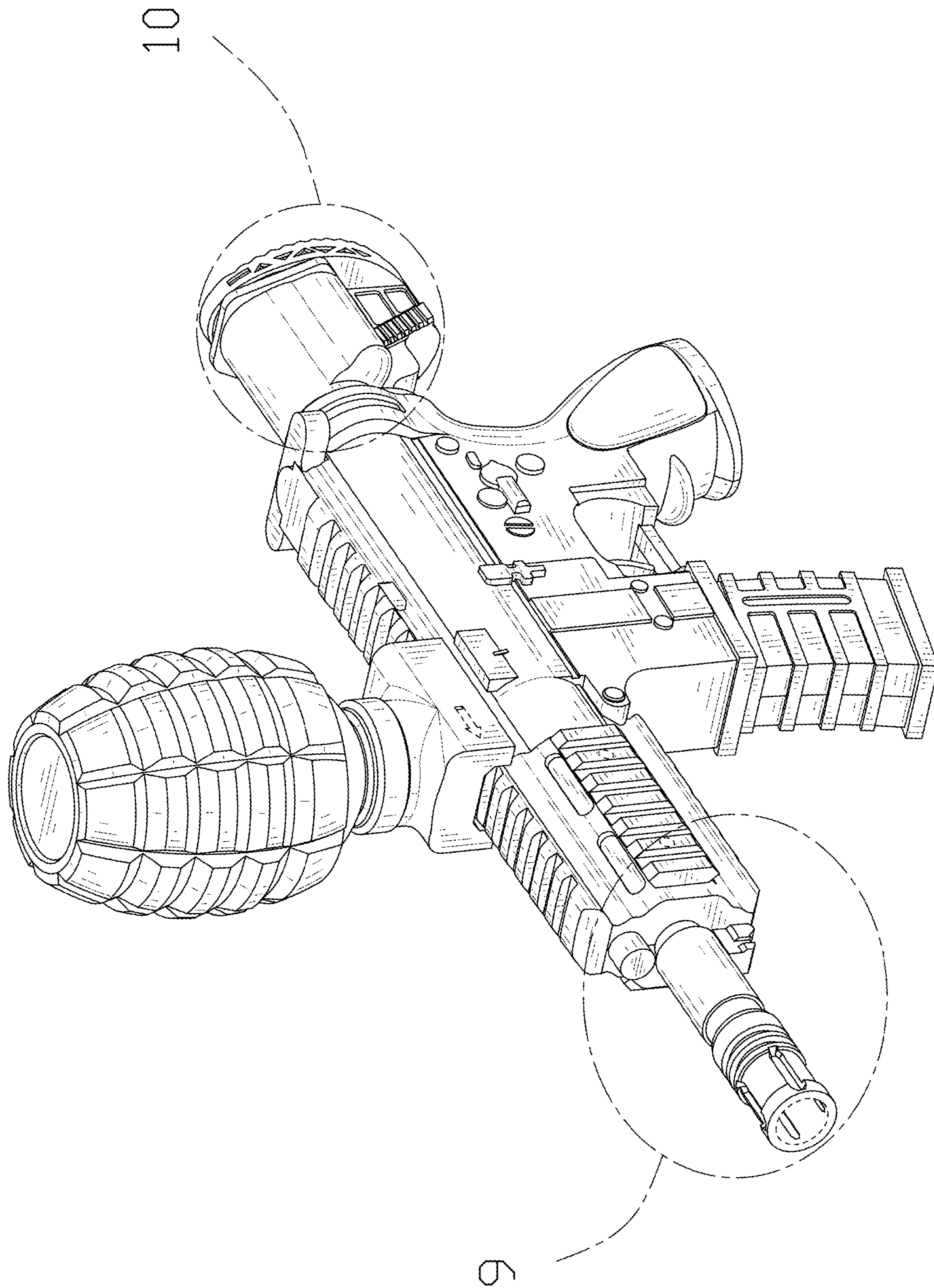


FIG. 1

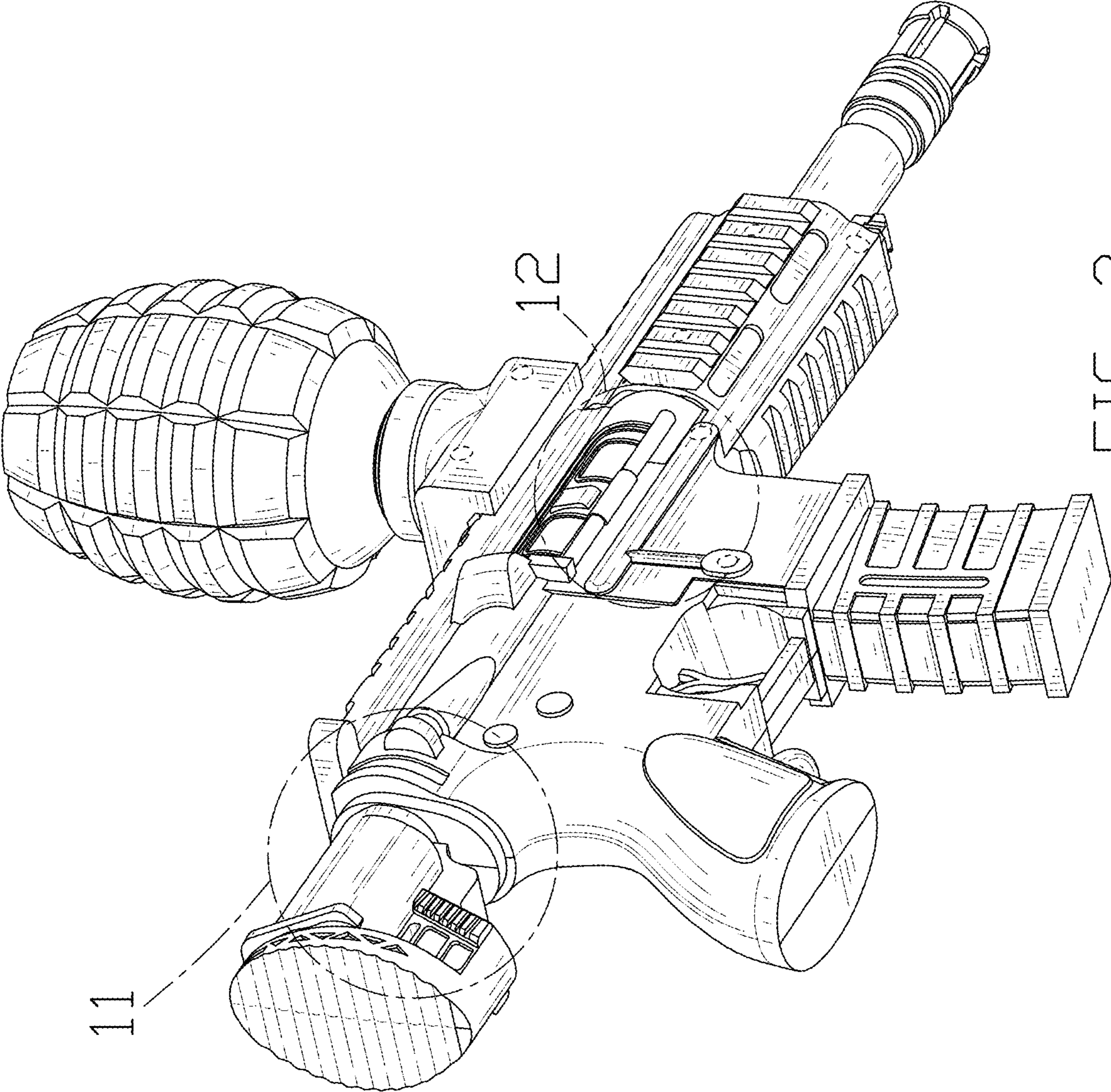


FIG. 2

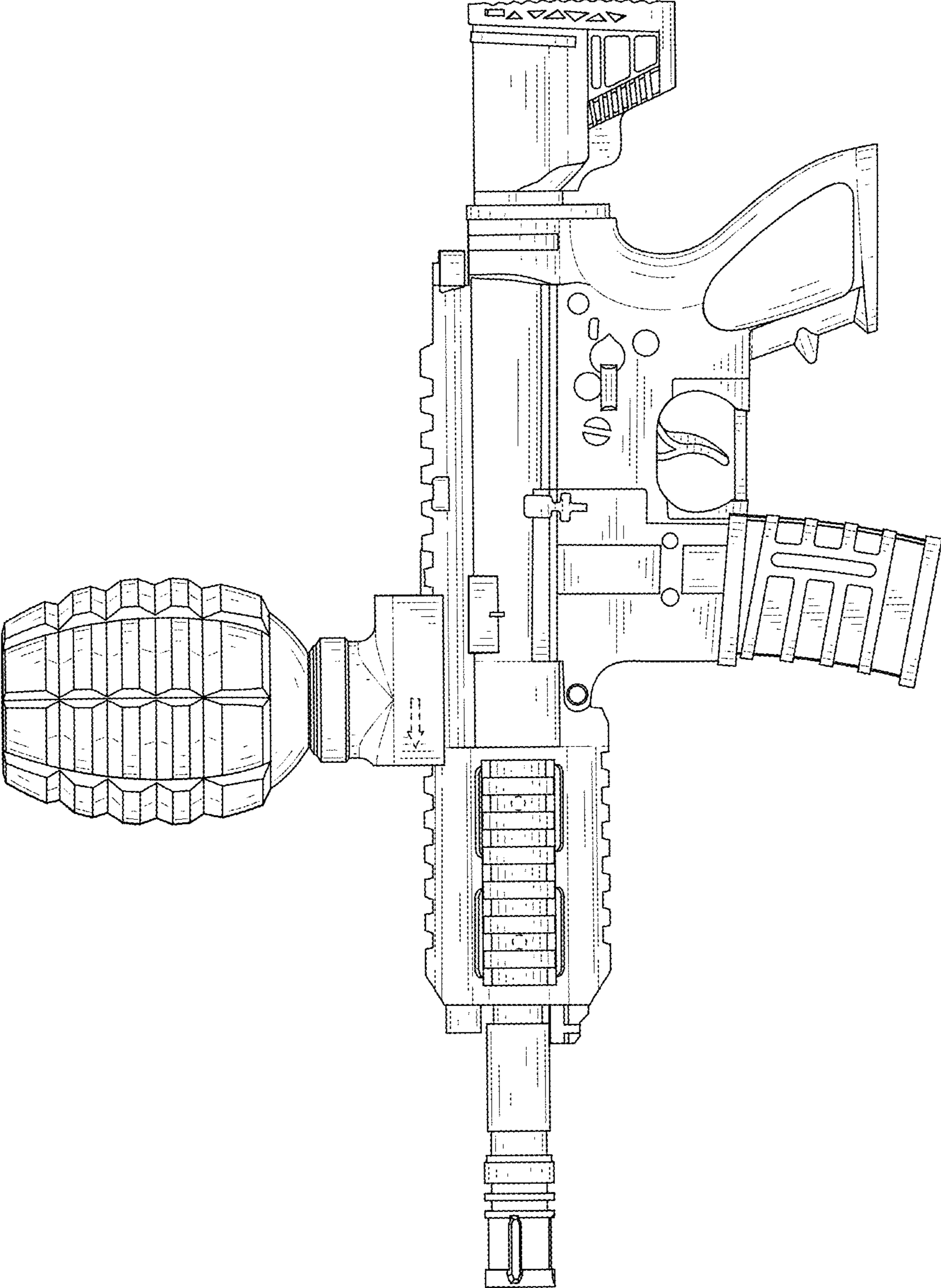


FIG. 3

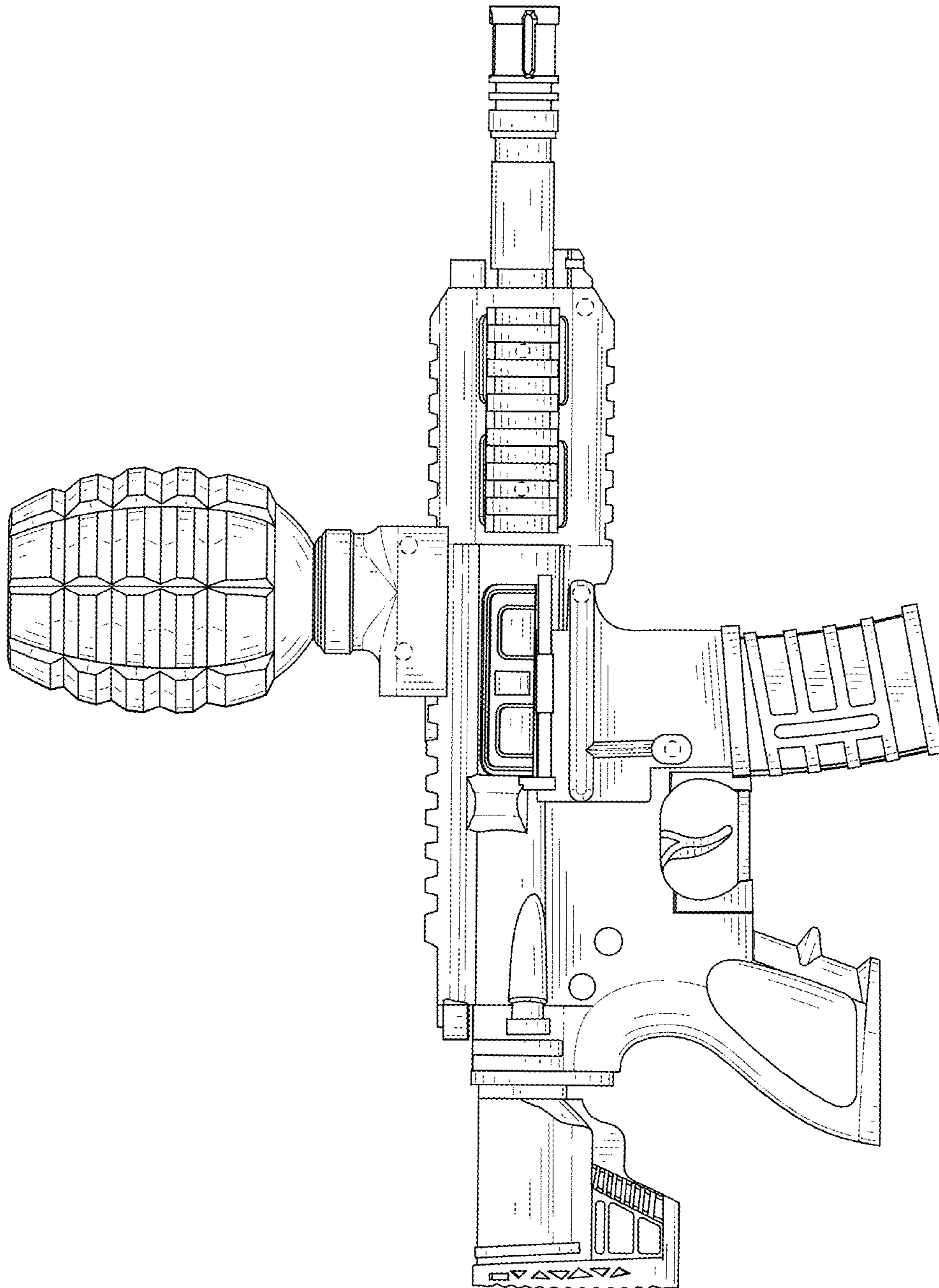


FIG. 4

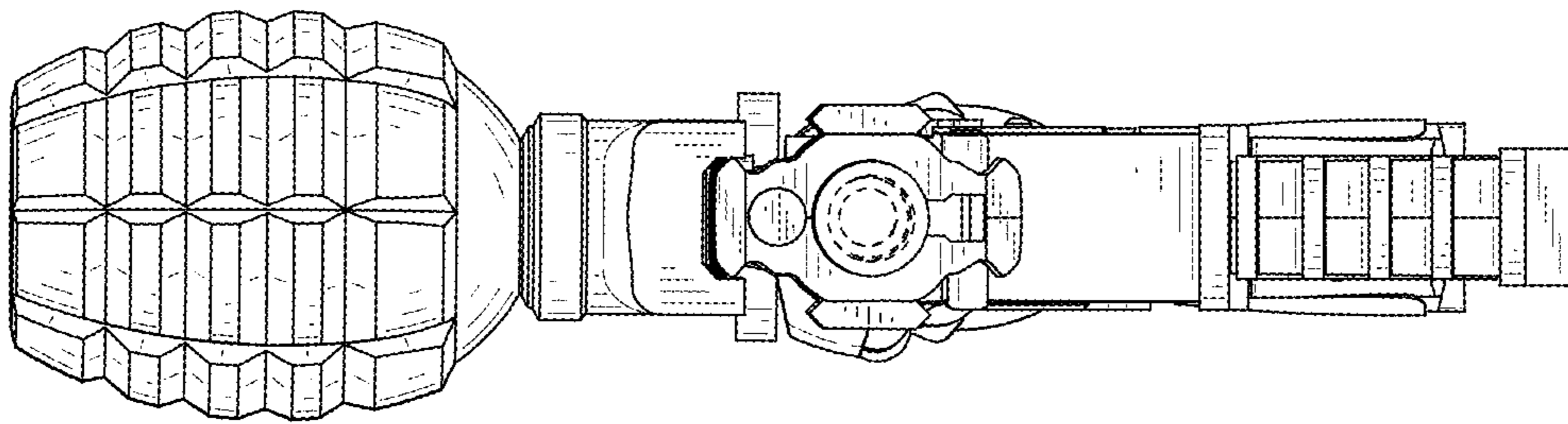


FIG. 5

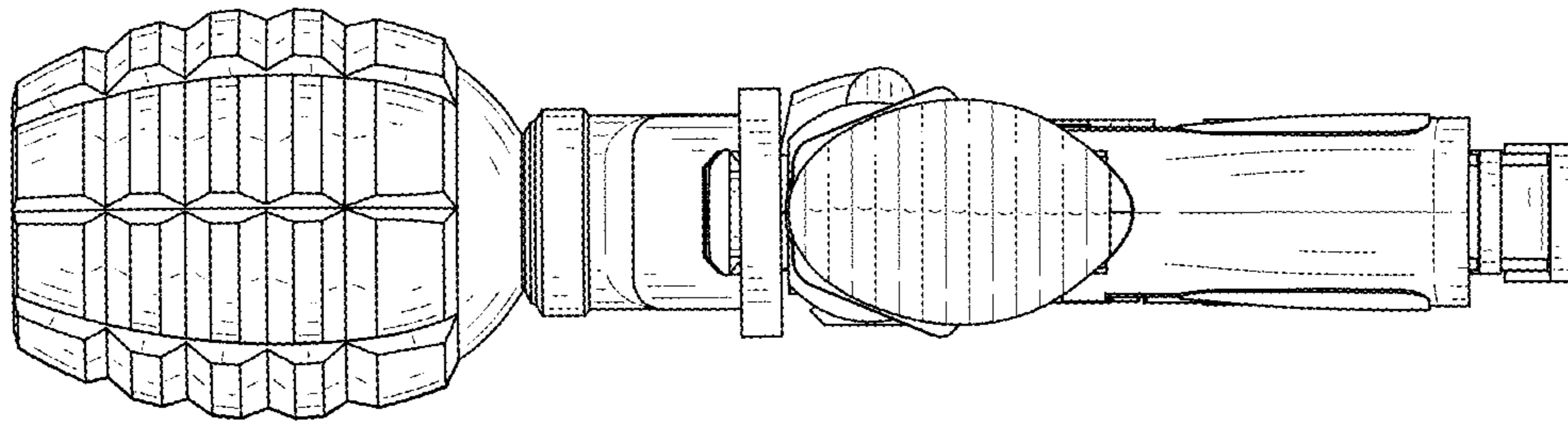


FIG. 6

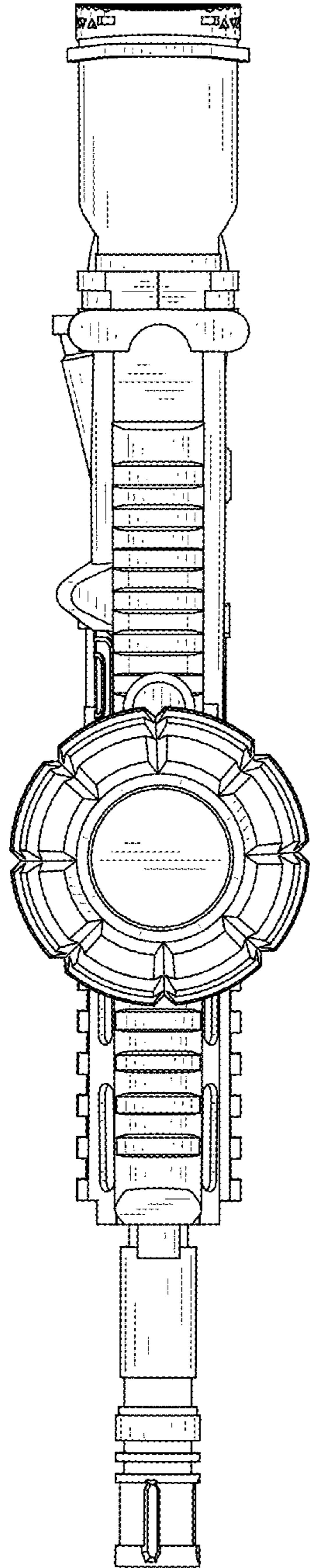


FIG. 7

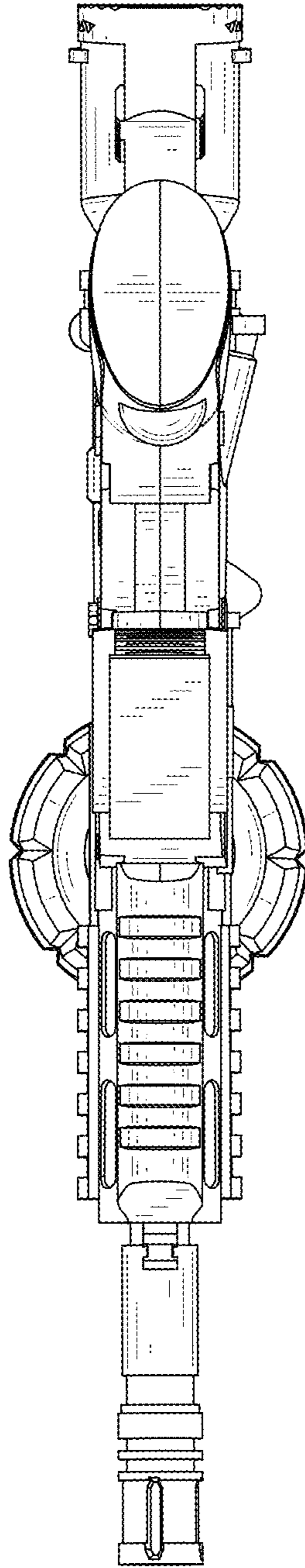


FIG. 8

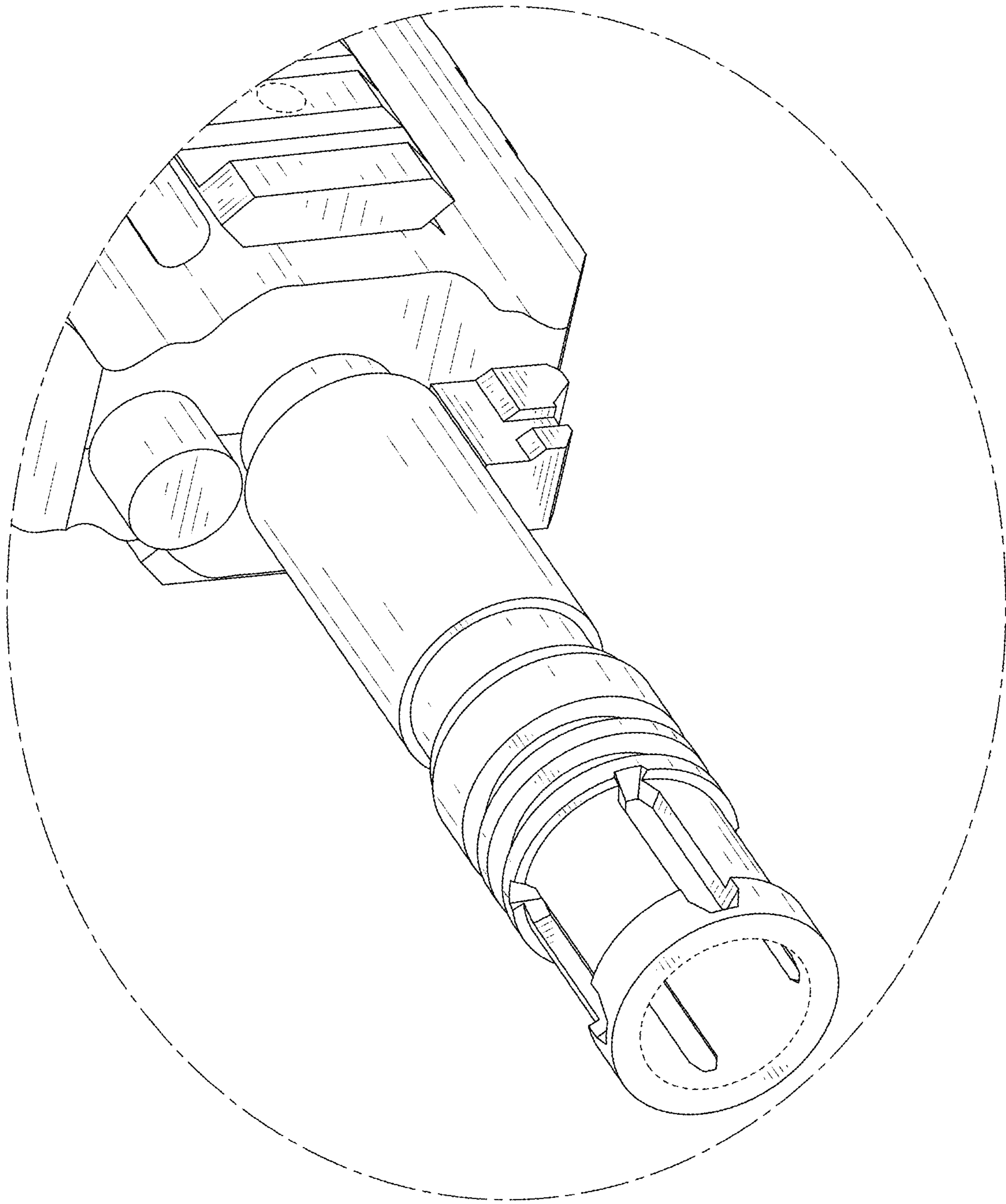


FIG. 9

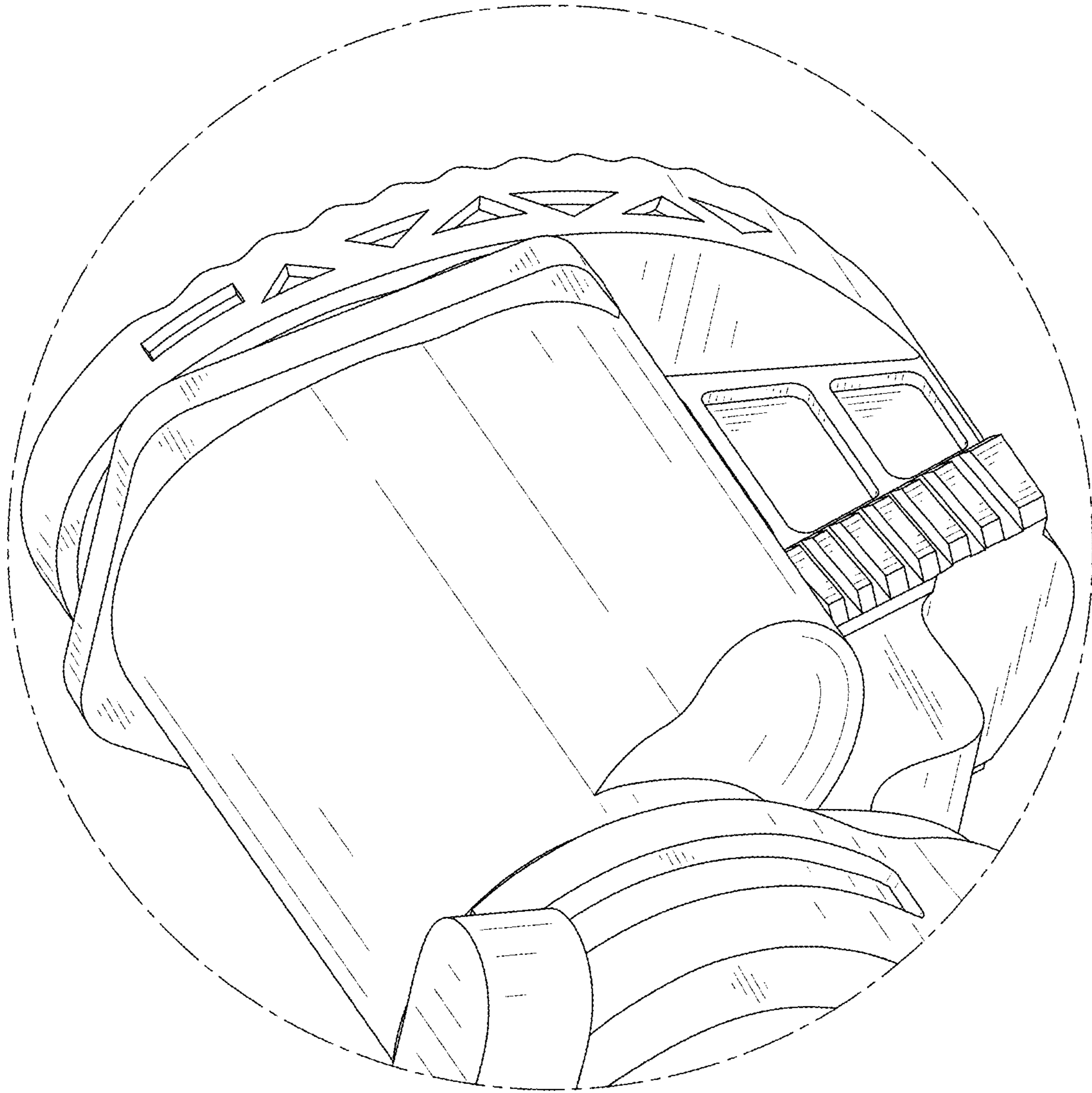


FIG. 10

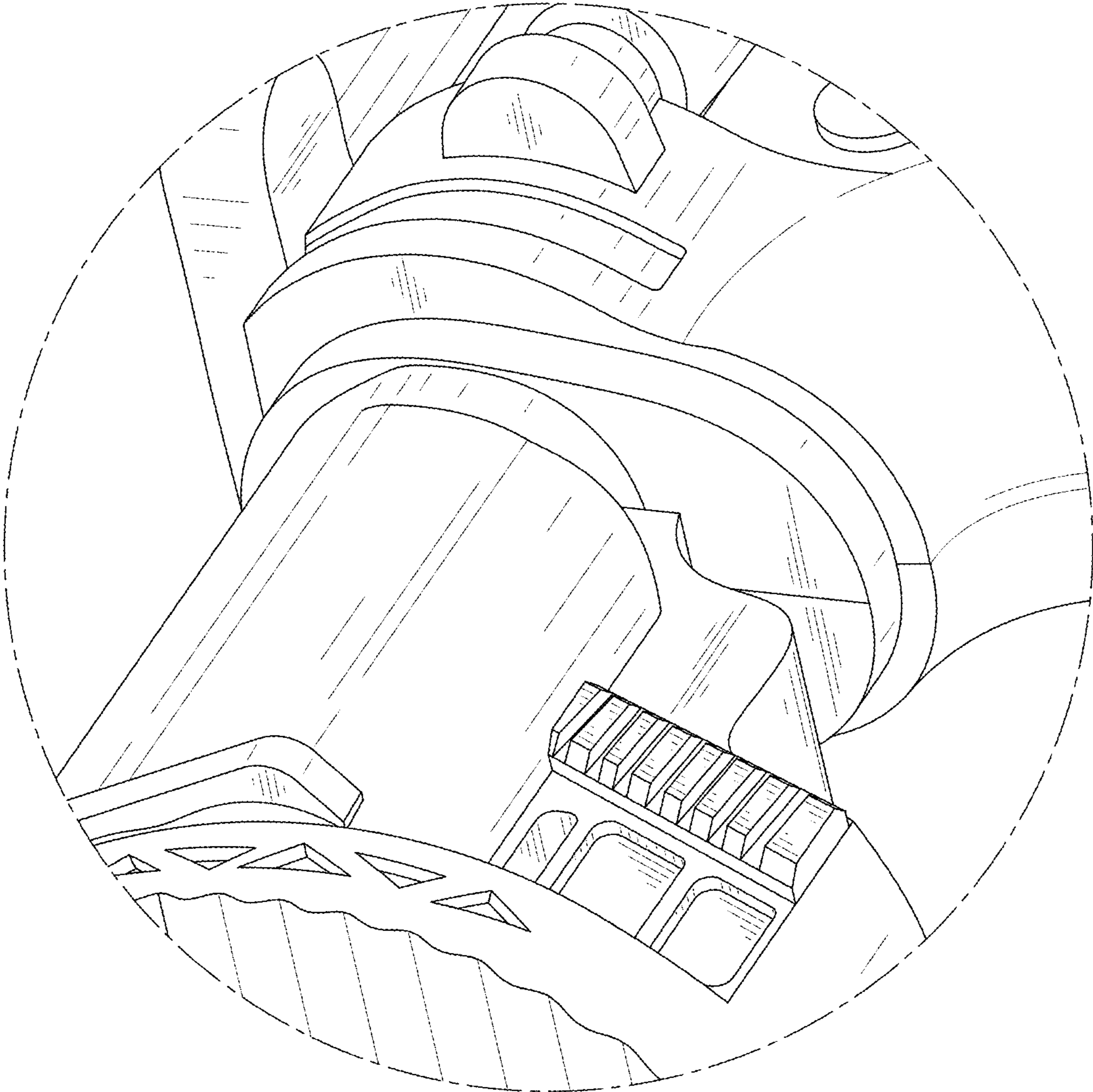


FIG. 11

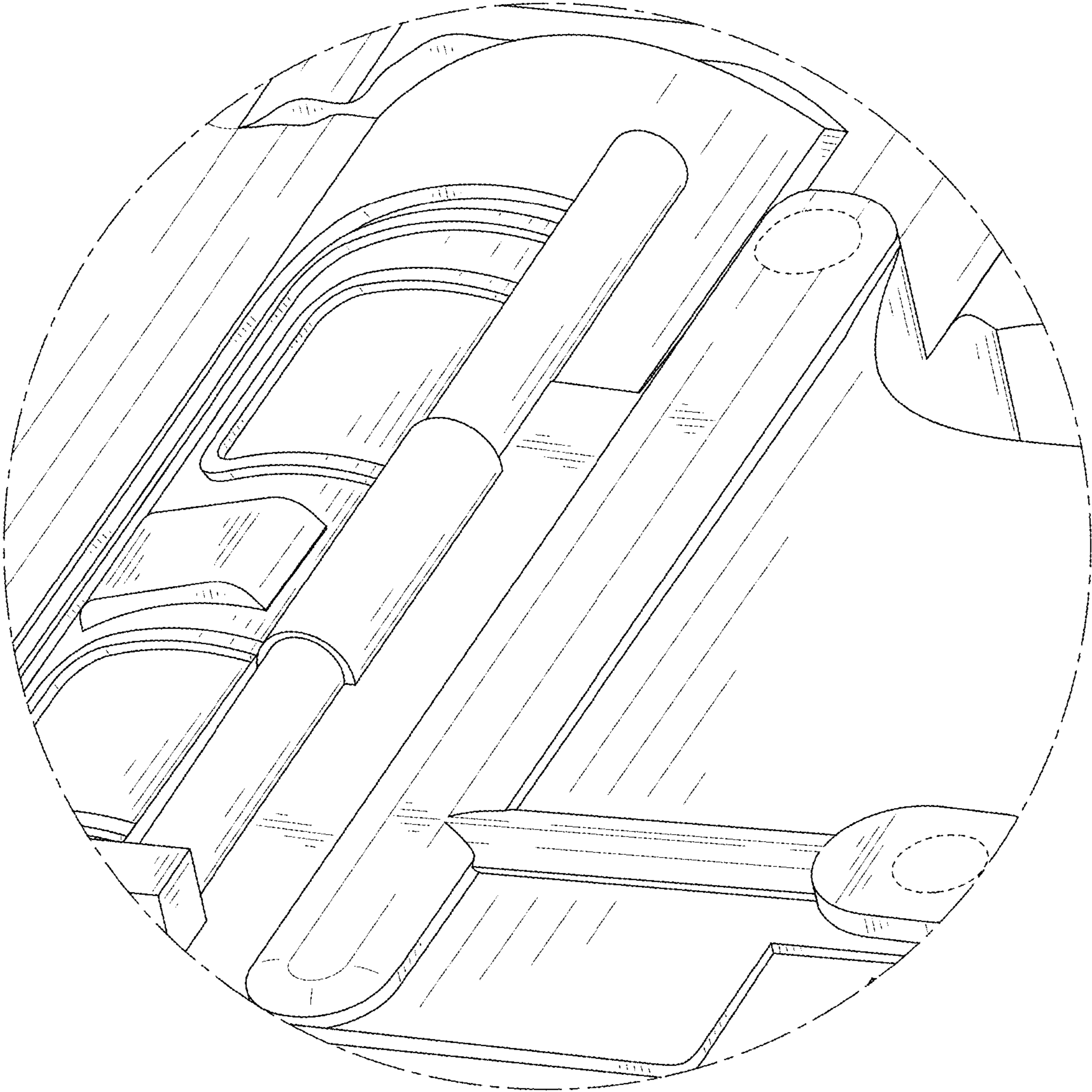


FIG. 12