



US00D984554S

(12) **United States Design Patent** (10) **Patent No.:** **US D984,554 S**
Huang (45) **Date of Patent:** **** Apr. 25, 2023**

(54) **SPINNING TOY**
(71) Applicant: **Ruixiong Huang**, Puning (CN)
(72) Inventor: **Ruixiong Huang**, Puning (CN)
(**) Term: **15 Years**

(21) Appl. No.: **29/882,516**
(22) Filed: **Jan. 16, 2023**
(51) **LOC (14) Cl.** **21-01**
(52) **U.S. Cl.**
USPC **D21/567**; D21/468; D21/455
(58) **Field of Classification Search**
USPC D21/468, 455, 398, 475, 460, 567, 532;
D8/75, 77, 78
CPC . A63H 1/00; A63H 33/00; A63H 1/10; A63H
33/009; A63H 33/18; A63H 29/08; F41B
15/00
See application file for complete search history.

(56) **References Cited**

U.S. PATENT DOCUMENTS

D57,706 S * 4/1921 Moorhouse D8/75
D161,034 S * 11/1950 Marthinsen D8/77
D179,018 S * 10/1956 Lowe et al. D8/77
2,808,861 A * 10/1957 Hughes B25D 1/02
81/19
D274,496 S * 7/1984 Grover D8/77
D277,119 S * 1/1985 Paczko D21/532
D350,470 S * 9/1994 Majors D8/77
D372,743 S * 8/1996 Ringo D8/77
D827,042 S 8/2018 Weissman
RE48,180 E * 9/2020 Stokes B25D 1/00
D8/78
D925,669 S * 7/2021 Richardson D21/680

D930,086 S * 9/2021 Zhang D21/532
D967,280 S 10/2022 Chen
2014/0057763 A1* 2/2014 Fritsch A63B 21/06
482/109
2018/0036576 A1* 2/2018 Richardson A63B 21/0601

OTHER PUBLICATIONS

Fidgeting Cool Hammer Fidget Hand Finger Spinners . Date First Available: May 10, 2018. Retrieved from internet: <https://www.amazon.com.au/Mjolnir-Keychain-Spinner-Stainless-Fingertip/dp/B077KFDYMX/> [site visited Feb. 22, 2023] (Year: 2018).*

* cited by examiner

Primary Examiner — Katherine Glennon
Assistant Examiner — Yuan Yuan
(74) *Attorney, Agent, or Firm* — Jeenam Park

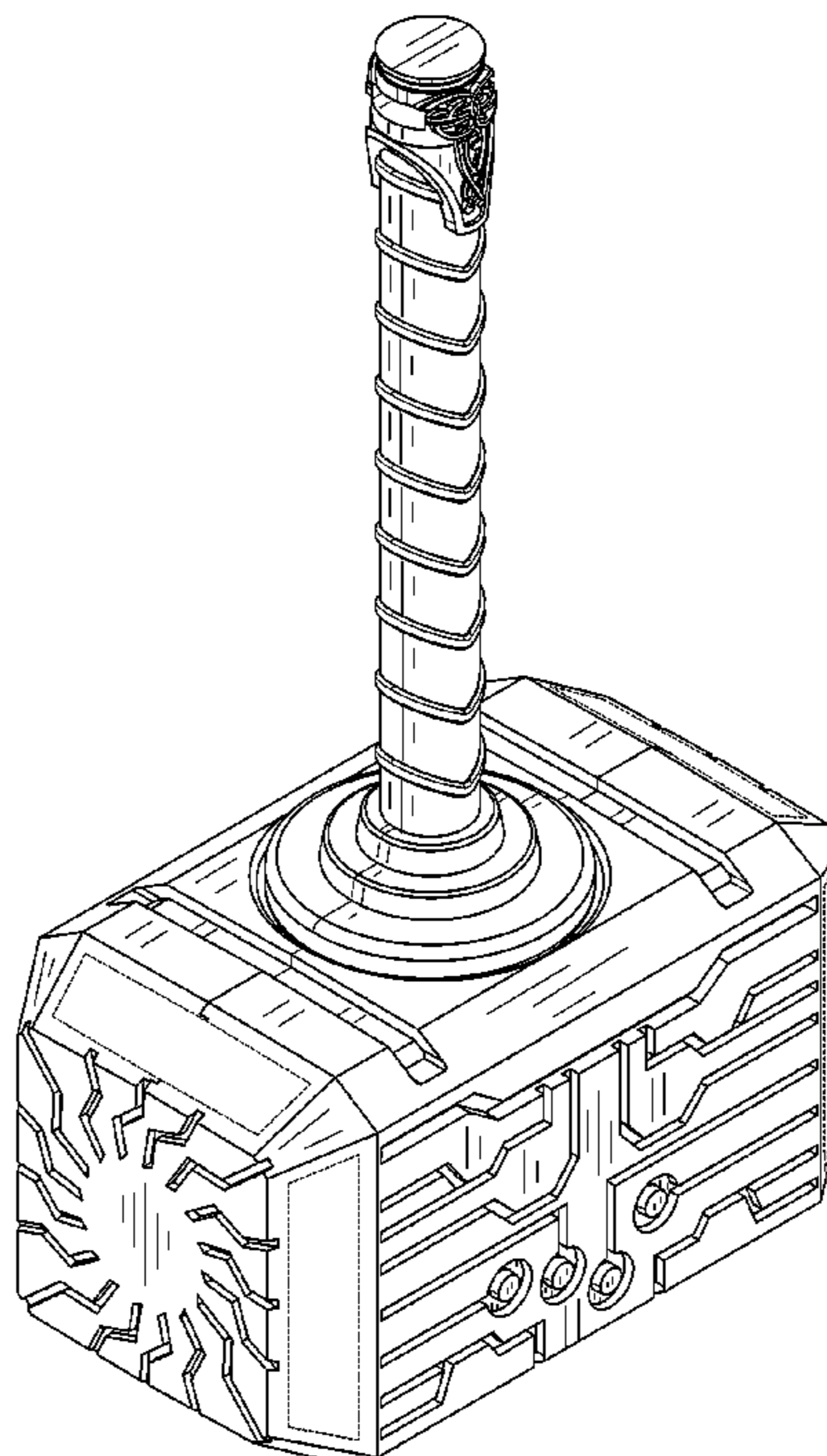
(57) **CLAIM**

The ornamental design for a spinning toy, as shown and described.

DESCRIPTION

FIG. 1 is a front, left and top perspective view of a spinning toy, showing my new design;
FIG. 2 is a front, right and bottom perspective view
FIG. 3 is a front view thereof;
FIG. 4 is a rear view thereof;
FIG. 5 is a left side view thereof;
FIG. 6 is a right side view thereof;
FIG. 7 is a top plan view thereof; and,
FIG. 8 is a bottom plan view thereof.
The broken lines shown in the drawings illustrate portions of the spinning toy that form no part of the claimed design.

1 Claim, 8 Drawing Sheets



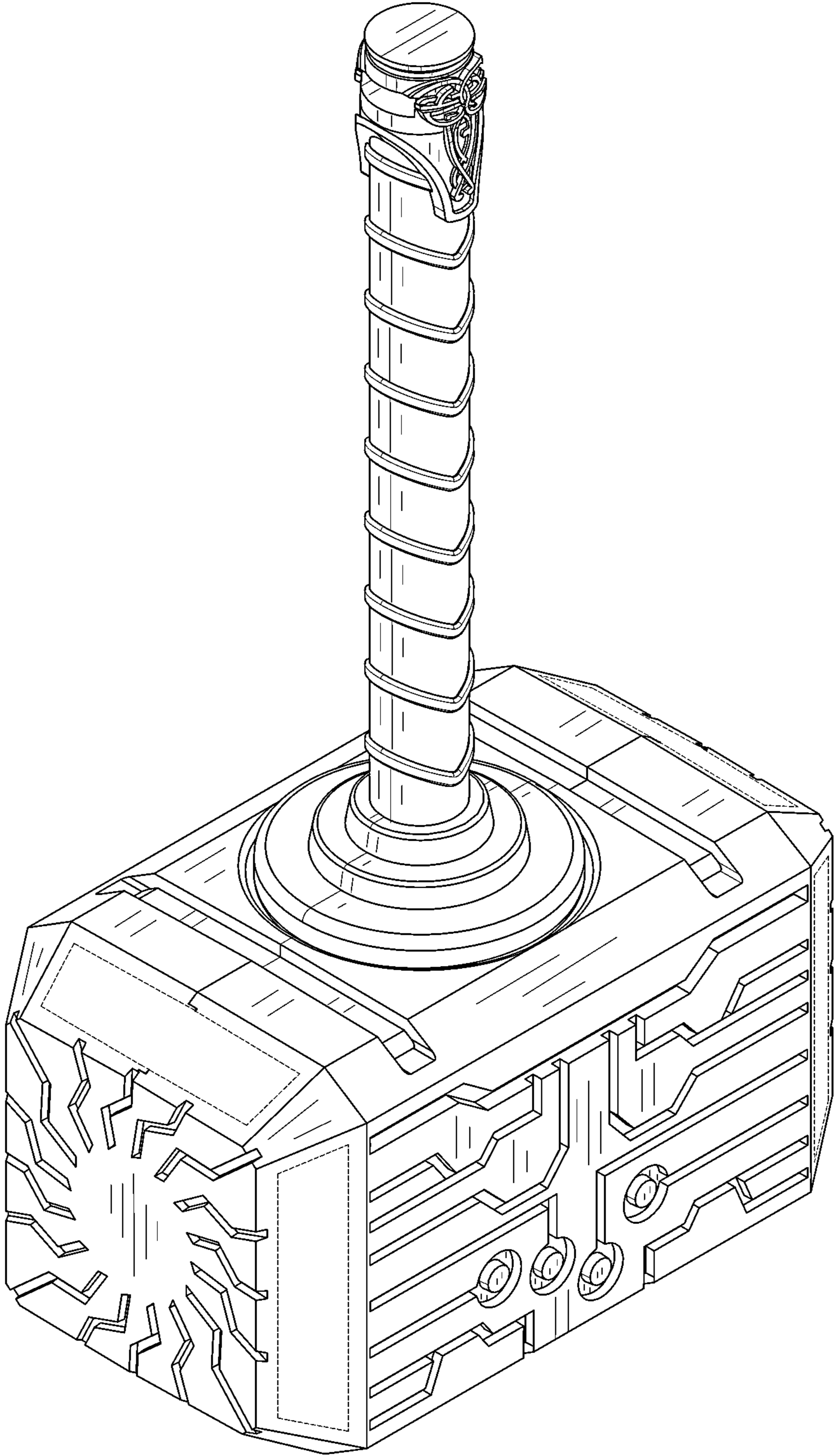


FIG . 1

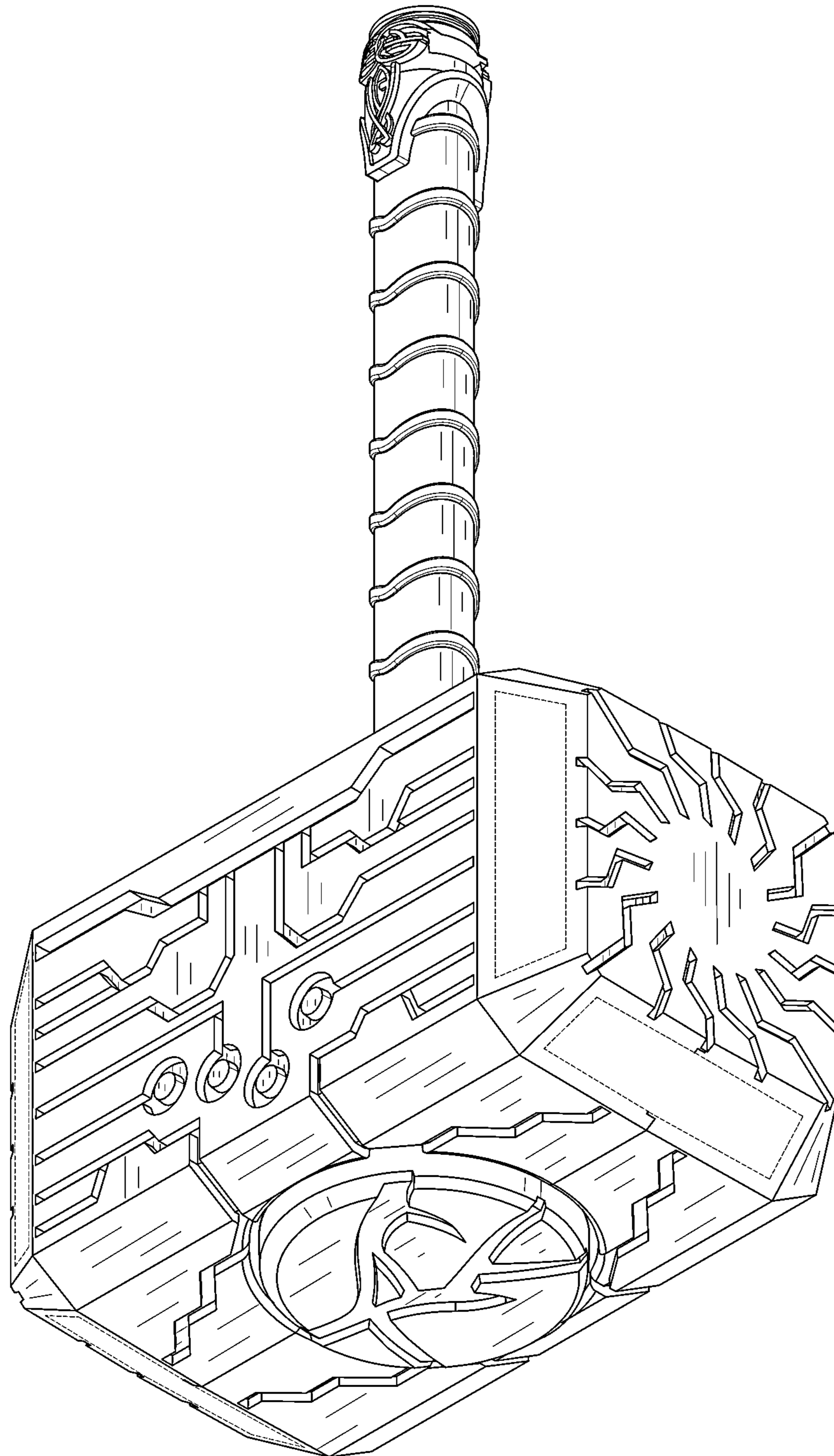


FIG . 2

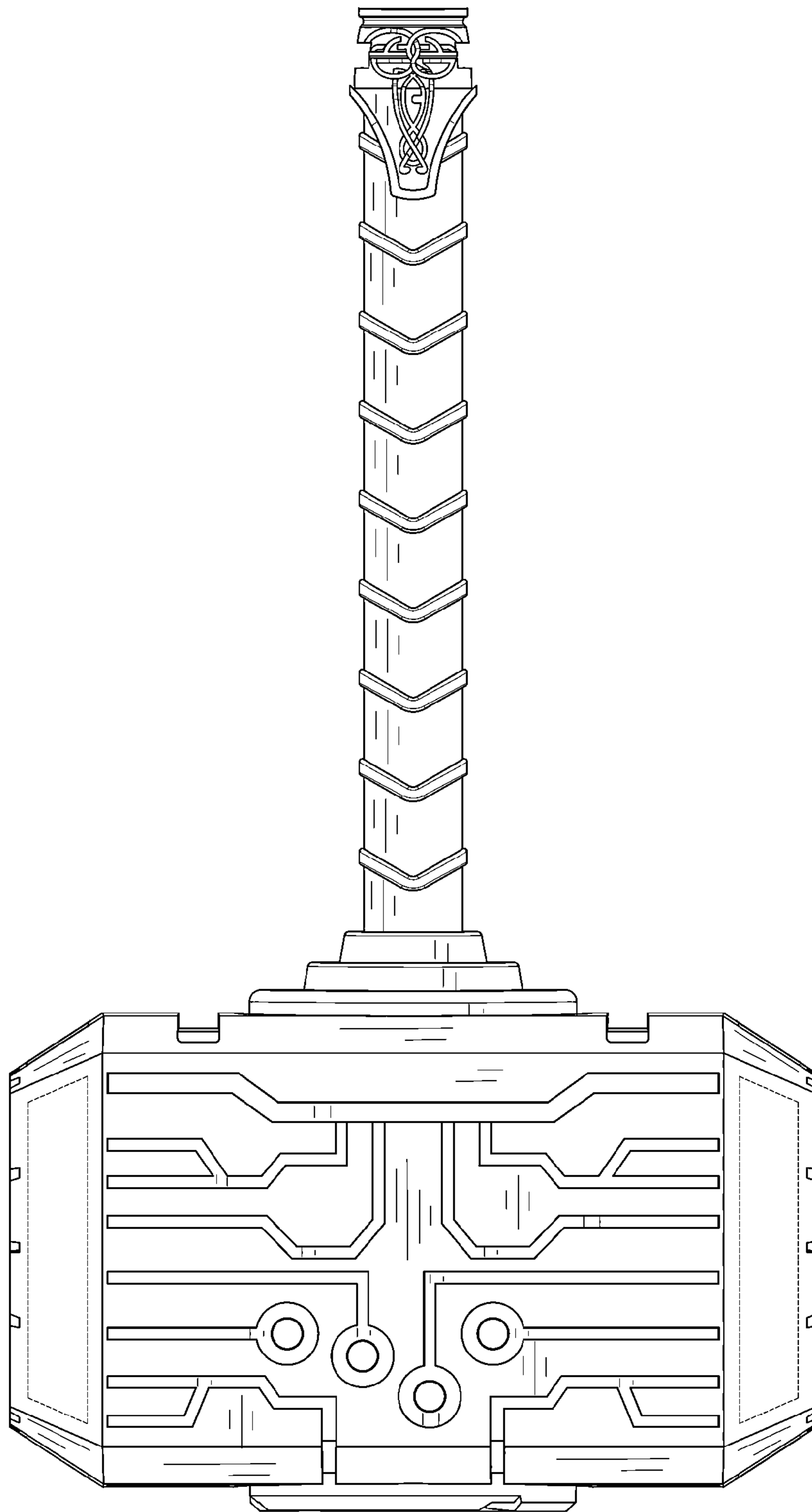


FIG . 3

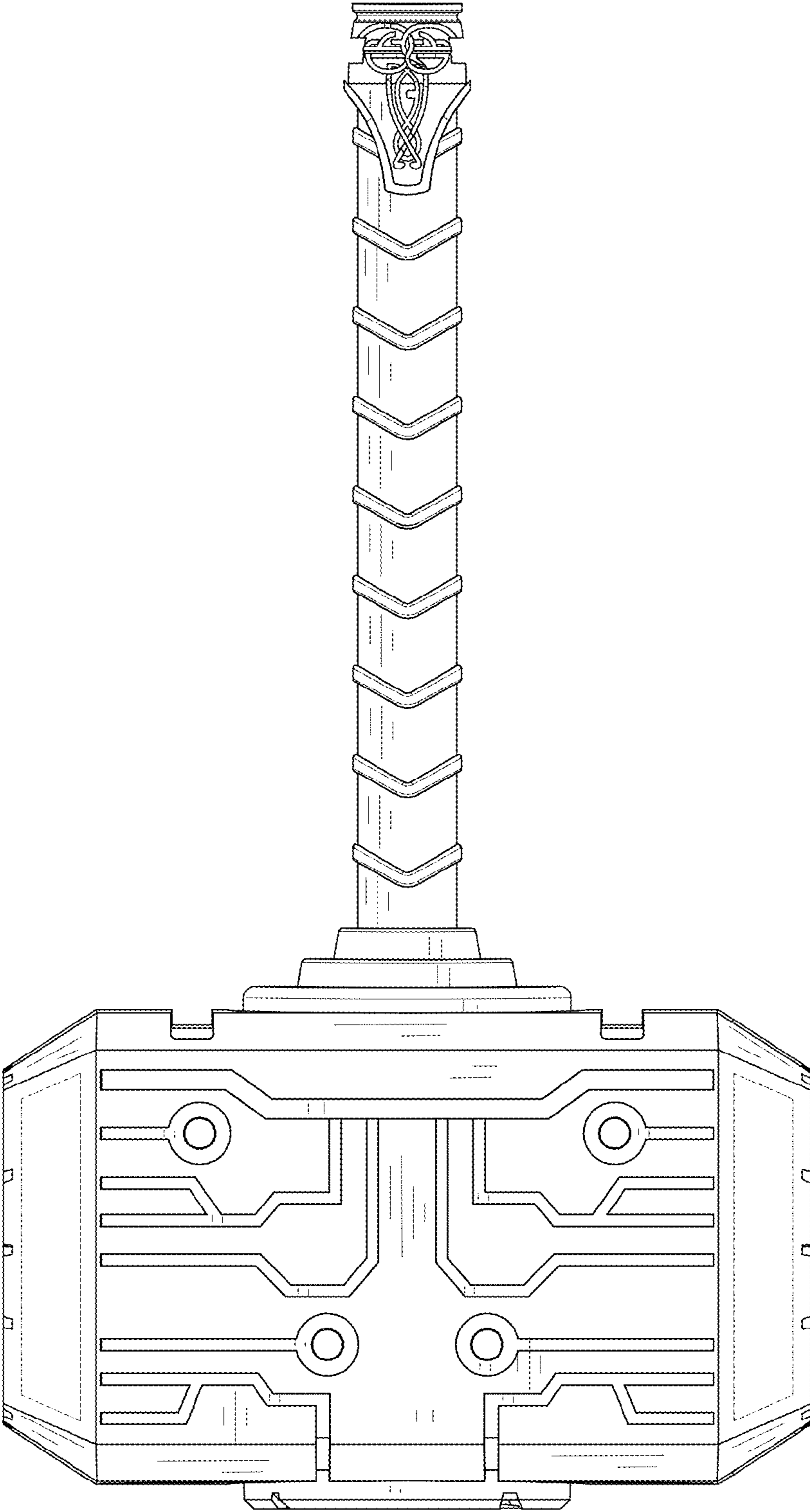


FIG . 4

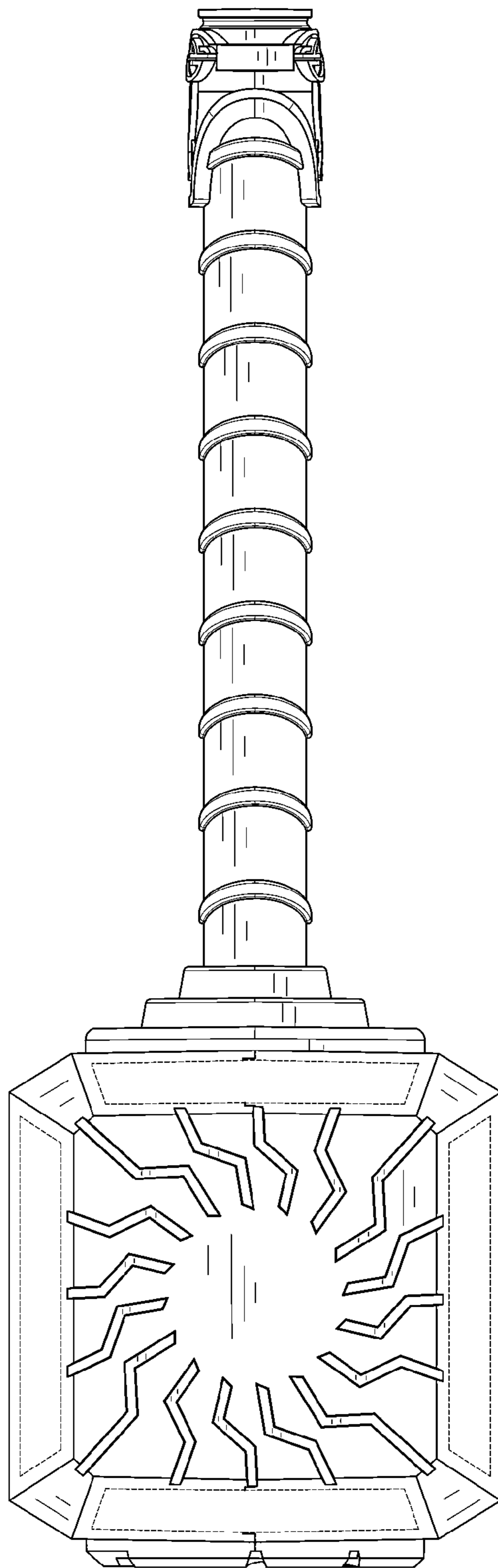


FIG . 5

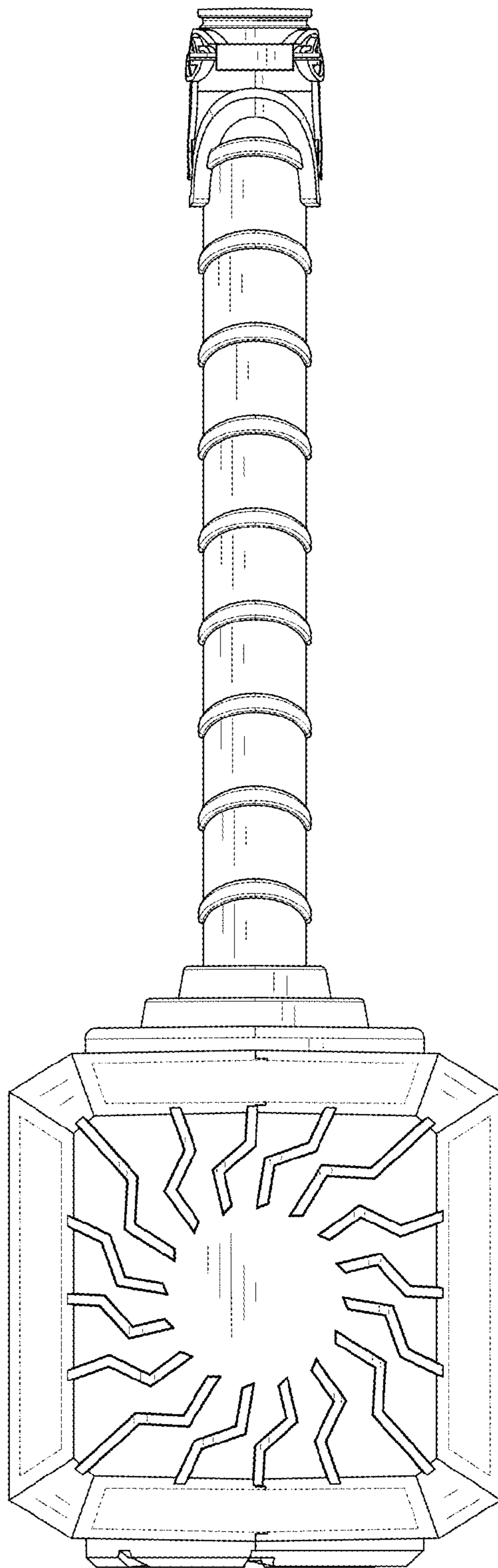


FIG . 6

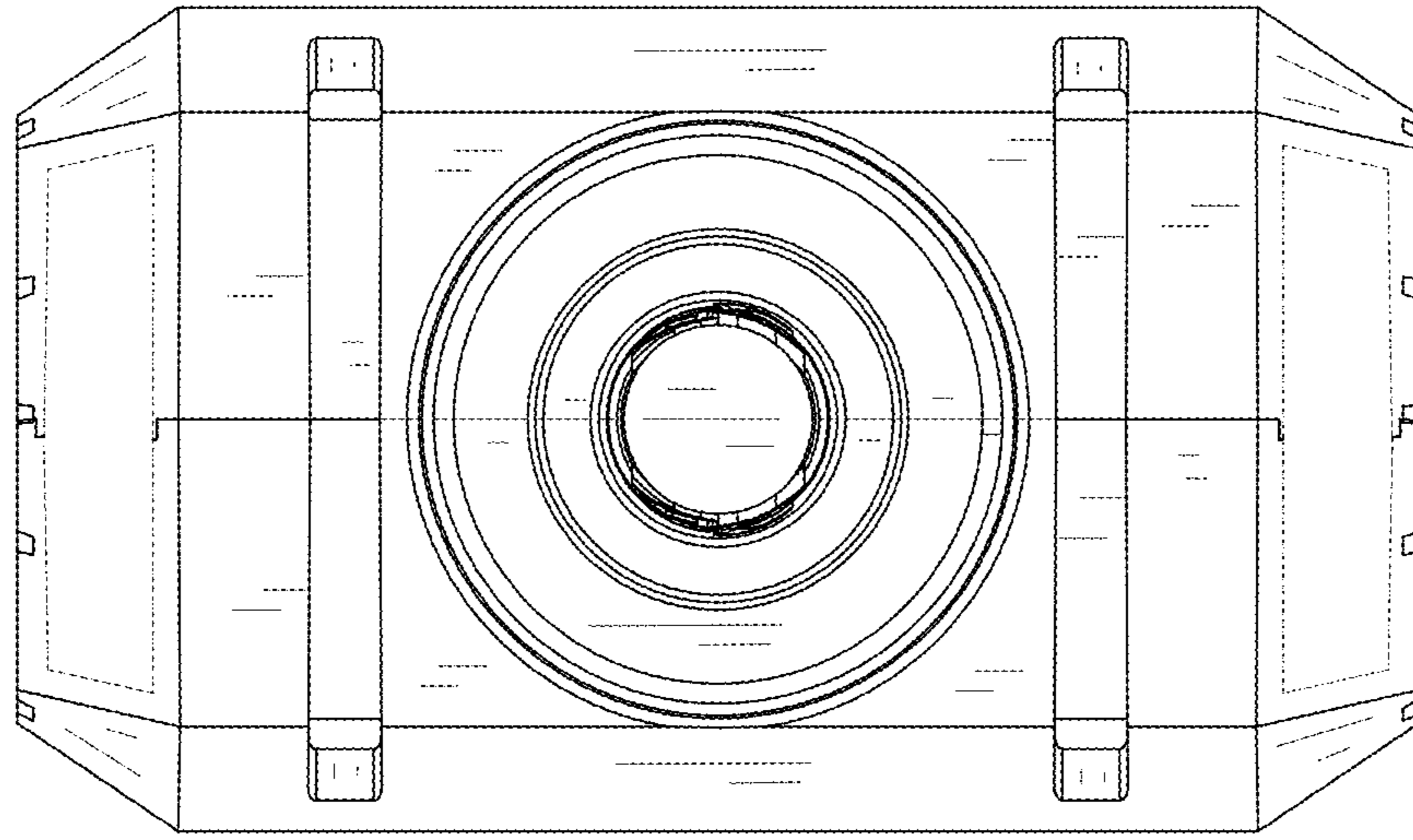


FIG . 7

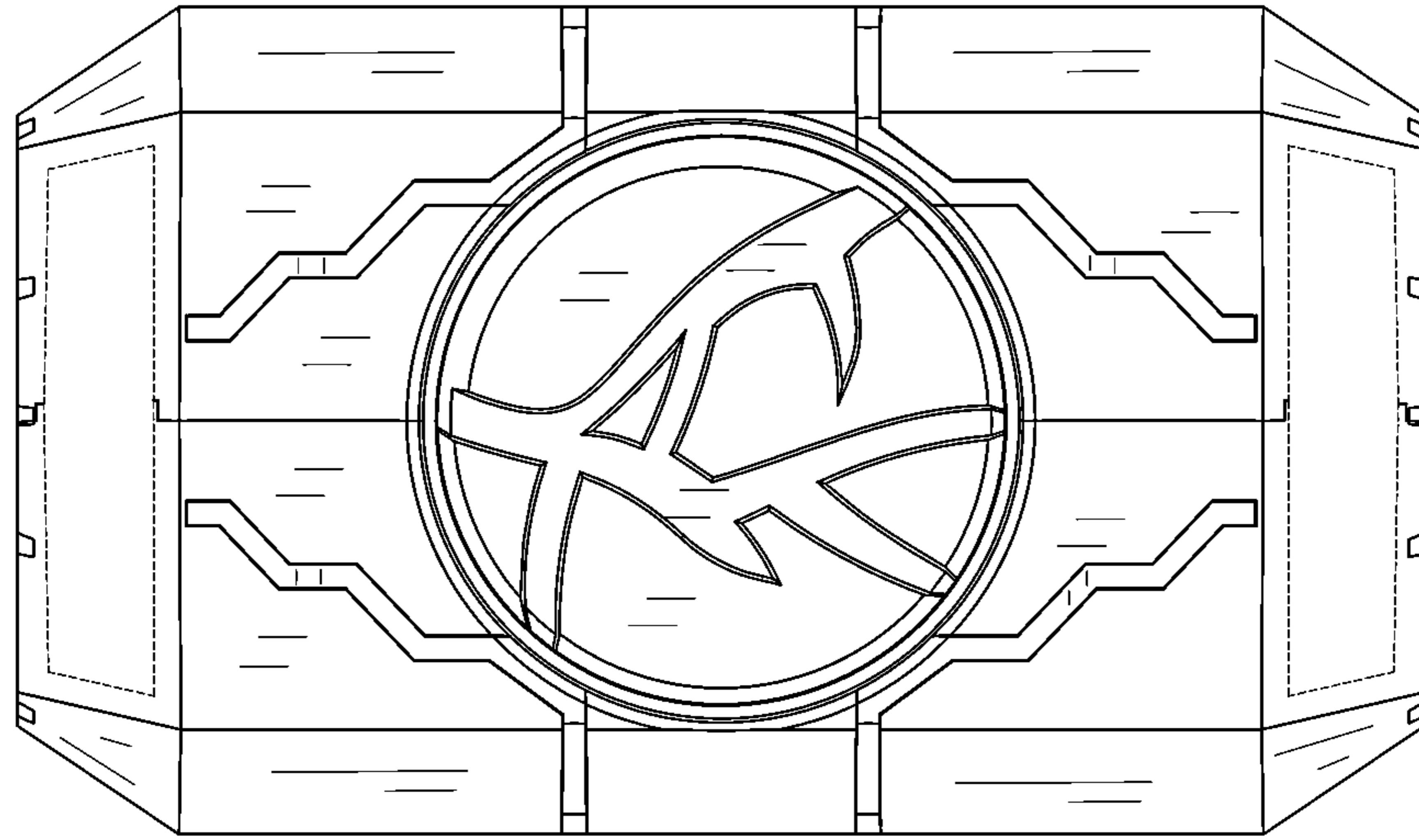


FIG . 8