



US00D984553S

(12) **United States Design Patent**
Zhu

(10) **Patent No.:** **US D984,553 S**
(45) **Date of Patent:** **** Apr. 25, 2023**

(54) **TOY TRAIN**

(71) Applicant: **Dongguan Xinyang Electronic Technology Co., Ltd.**, Guangdong (CN)

(72) Inventor: **Ping Zhu**, Hubei (CN)

(73) Assignee: **Dongguan Xinyang Electronic Technology Co., Ltd.**, Dongguan (CN)

(**) Term: **15 Years**

(21) Appl. No.: **29/868,116**

(22) Filed: **Nov. 20, 2022**

(51) **LOC (14) Cl.** **21-01**

(52) **U.S. Cl.**
USPC **D21/541**; D21/540

(58) **Field of Classification Search**
USPC D21/541, 540, 533; D12/36, 37, 38;
D9/677, 600, 672
CPC A63H 19/02; A63H 17/00; F01B 17/04
See application file for complete search history.

(56) **References Cited**

U.S. PATENT DOCUMENTS

D53,856 S	*	9/1919	Monosmith	D21/541
D118,364 S	*	1/1940	Bojesen	D21/541
D257,734 S	*	12/1980	Rosenberg	D21/541
D292,779 S	*	11/1987	Bayly	D21/411
D325,227 S	*	4/1992	Oshimi	D21/541
D330,737 S	*	11/1992	Silber	D21/427
5,427,561 A	*	6/1995	Eichhorn	A63H 19/00 446/447
D381,708 S	*	7/1997	Petersson	D21/541
D484,195 S	*	12/2003	Shippy	D21/540
D533,907 S	*	12/2006	Yuen	D21/541
D751,653 S		3/2016	Champ		
D846,658 S		4/2019	Gerstner		

FOREIGN PATENT DOCUMENTS

CN	303711593	*	6/2016
CN	305421378	*	11/2019
CN	307281825	*	4/2022

OTHER PUBLICATIONS

Amazon Website, Melissa & Doug Wooden Train Cars, Earliest Available Date: Jan. 11, 2021[Website Visited Jan. 6, 2023], Available on the Internet URL <https://www.amazon.com/Melissa-Doug-Wooden-Train-Cars/dp/B01B1US011/> (Year: 2021).*

Amazon Website, Melissa & Doug Wooden Farm Train Set, Earliest Available Date: Sep. 1, 2019[Website Visited Jan. 6, 2023], Available on the Internet URL <https://www.amazon.com/Melissa-Doug-Wooden-Commerce-Packaging/dp/B07VCLZJY4/> (Year: 2019).*

* cited by examiner

Primary Examiner — S. Bryan Reinholdt, Jr.

Assistant Examiner — James T Tyree

(57) **CLAIM**

The ornamental design for a toy train, as shown and described.

DESCRIPTION

FIG. 1 is a top, right and front side perspective view of a toy train, showing my new design;

FIG. 2 is a bottom, left and back side perspective view thereof;

FIG. 3 is a top plan view thereof;

FIG. 4 is a bottom plan view thereof;

FIG. 5 is a left side elevational view thereof;

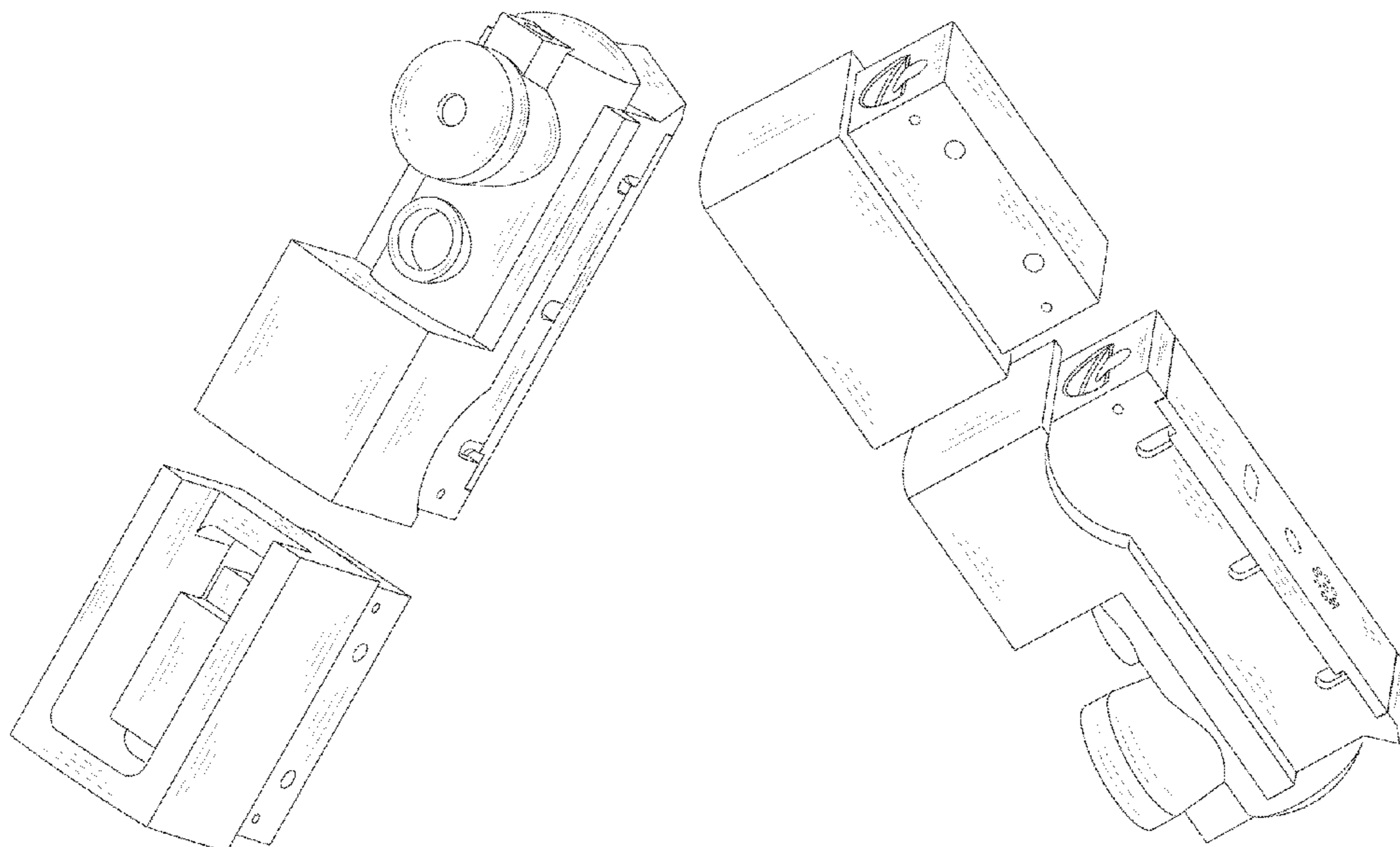
FIG. 6 is a right side elevational view thereof;

FIG. 7 is a front elevational view thereof; and,

FIG. 8 is a back elevational view thereof.

The broken lines and the areas within them in FIGS. 2, 3, and 4 depict portions of the toy train that form no part of the claimed design.

1 Claim, 8 Drawing Sheets



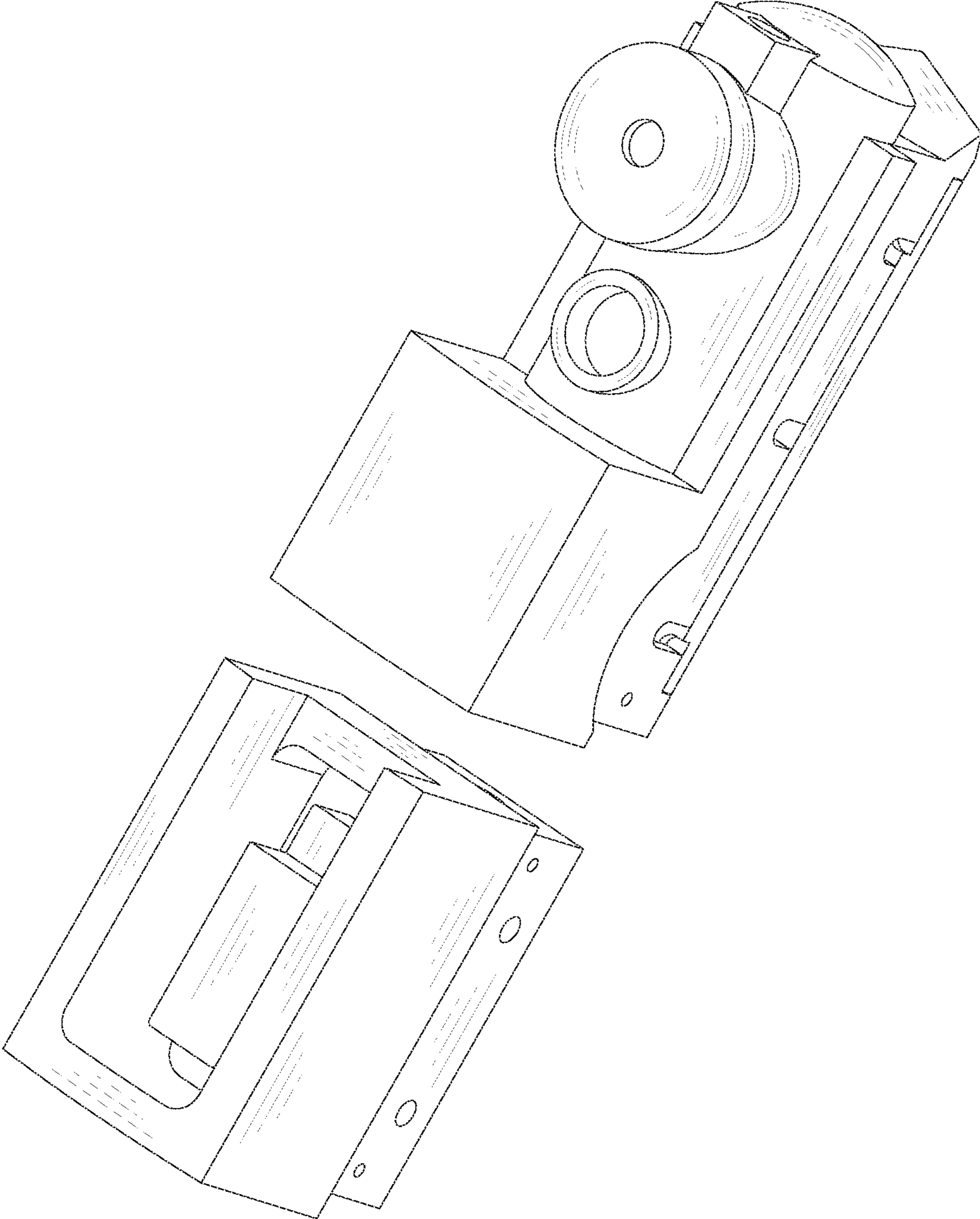


FIG. 1

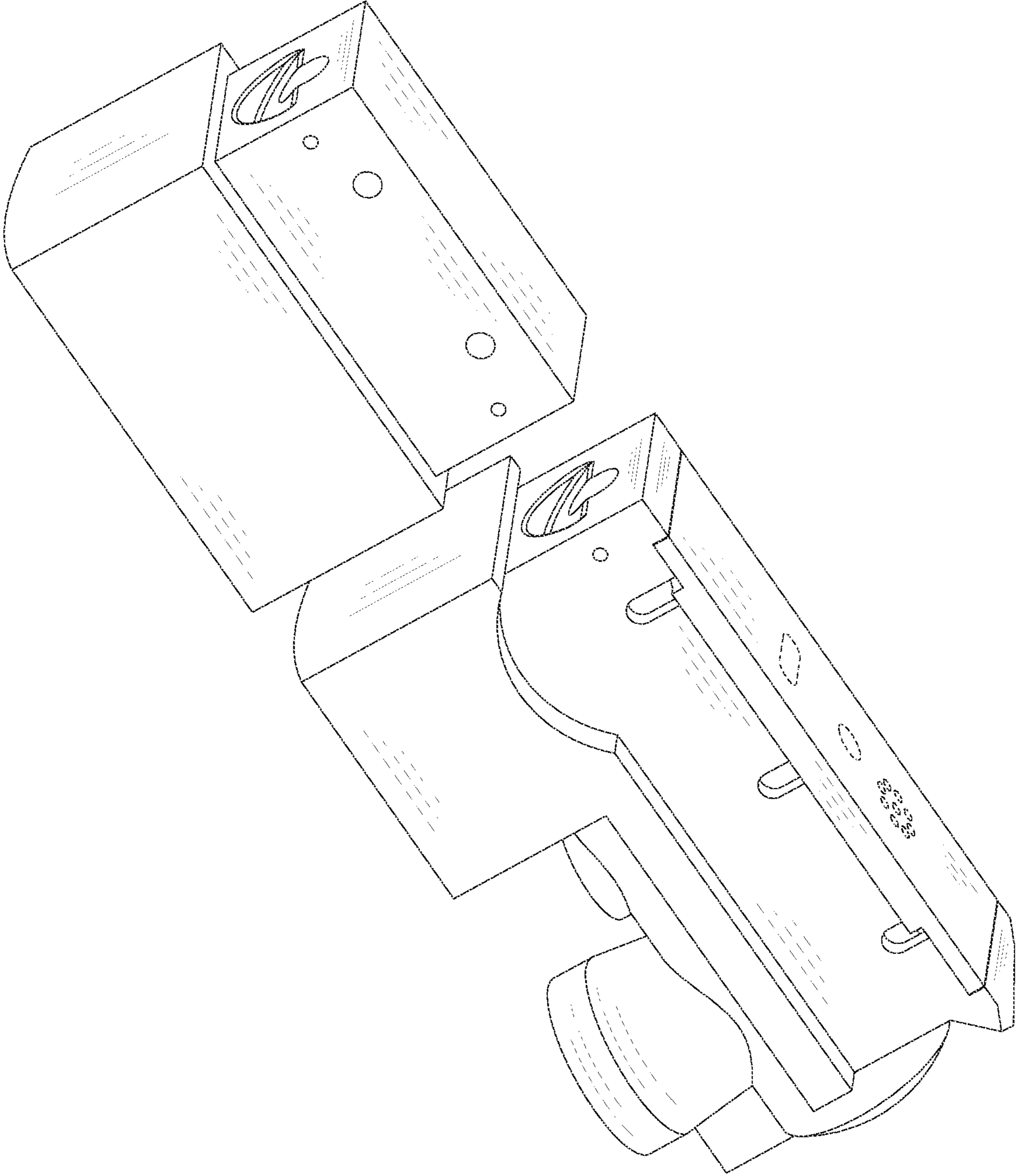


FIG. 2

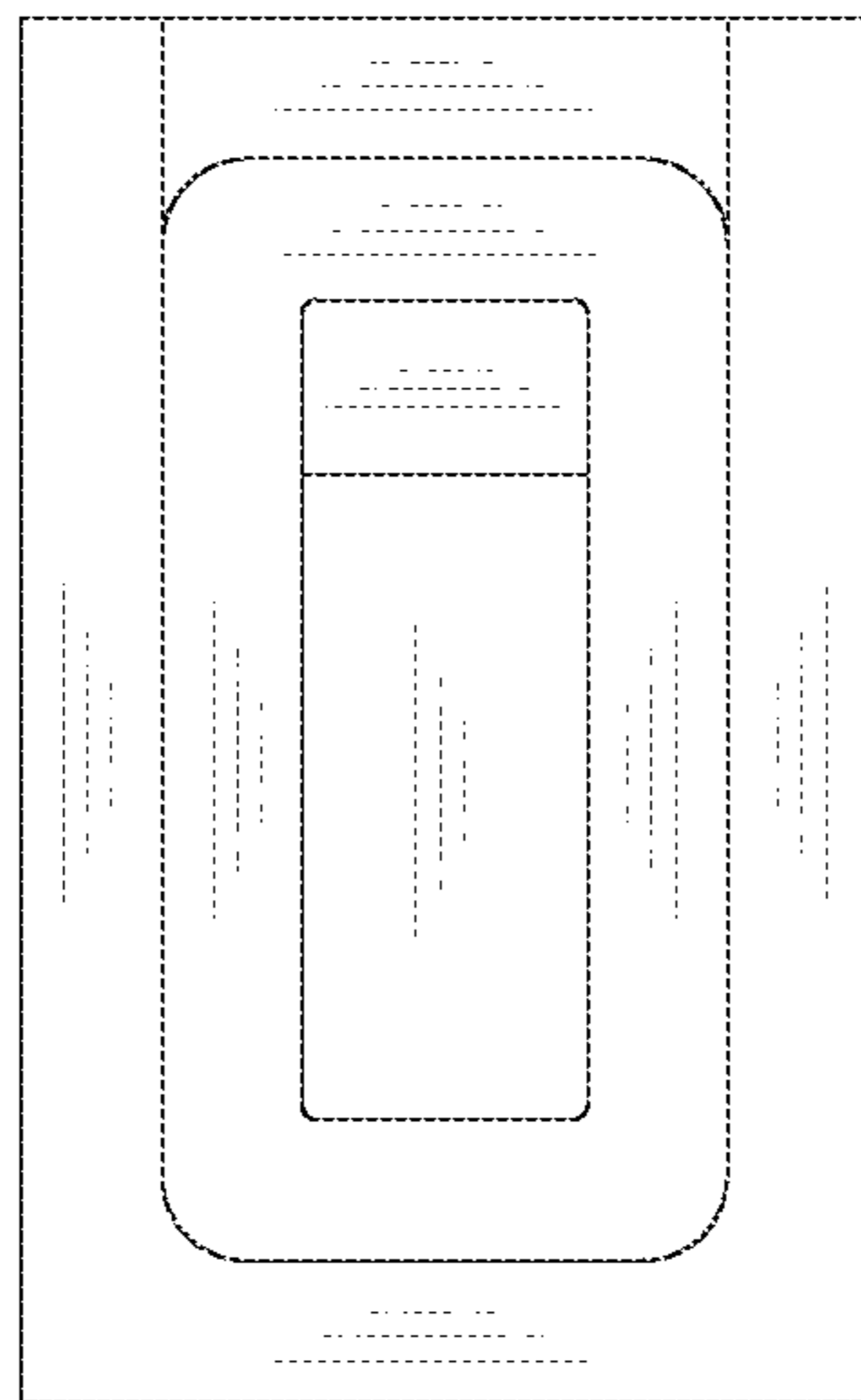
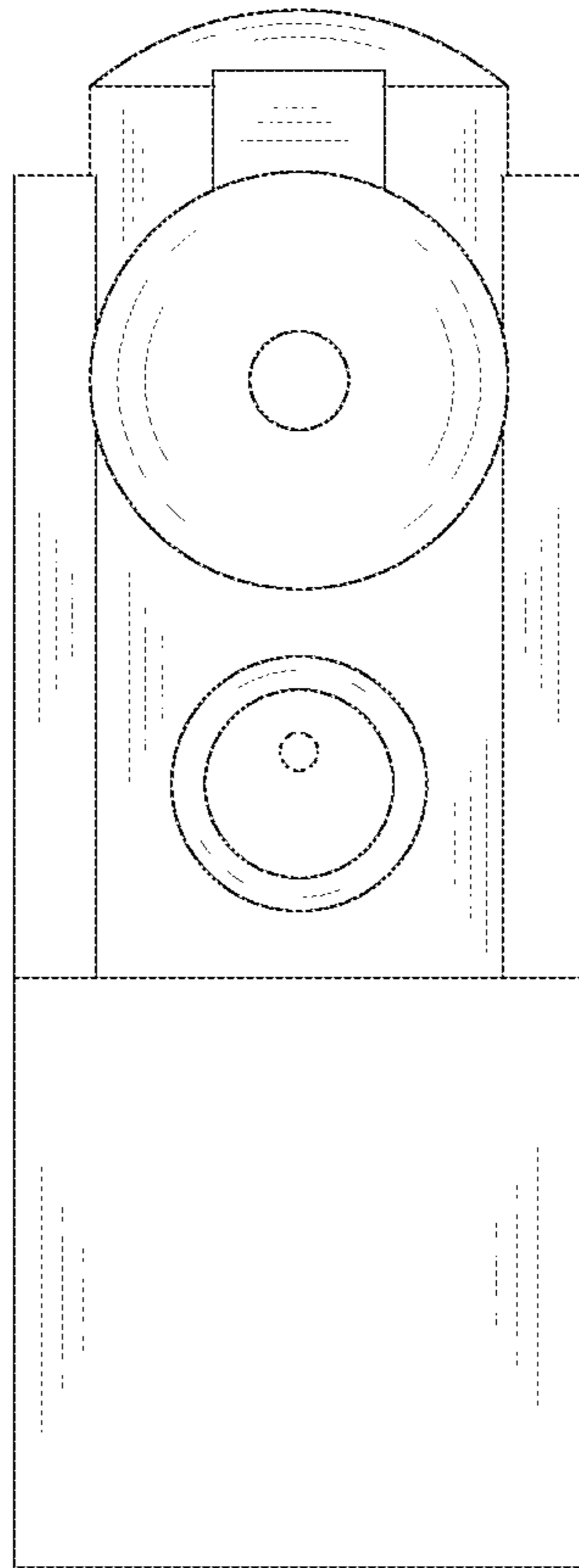


FIG. 3

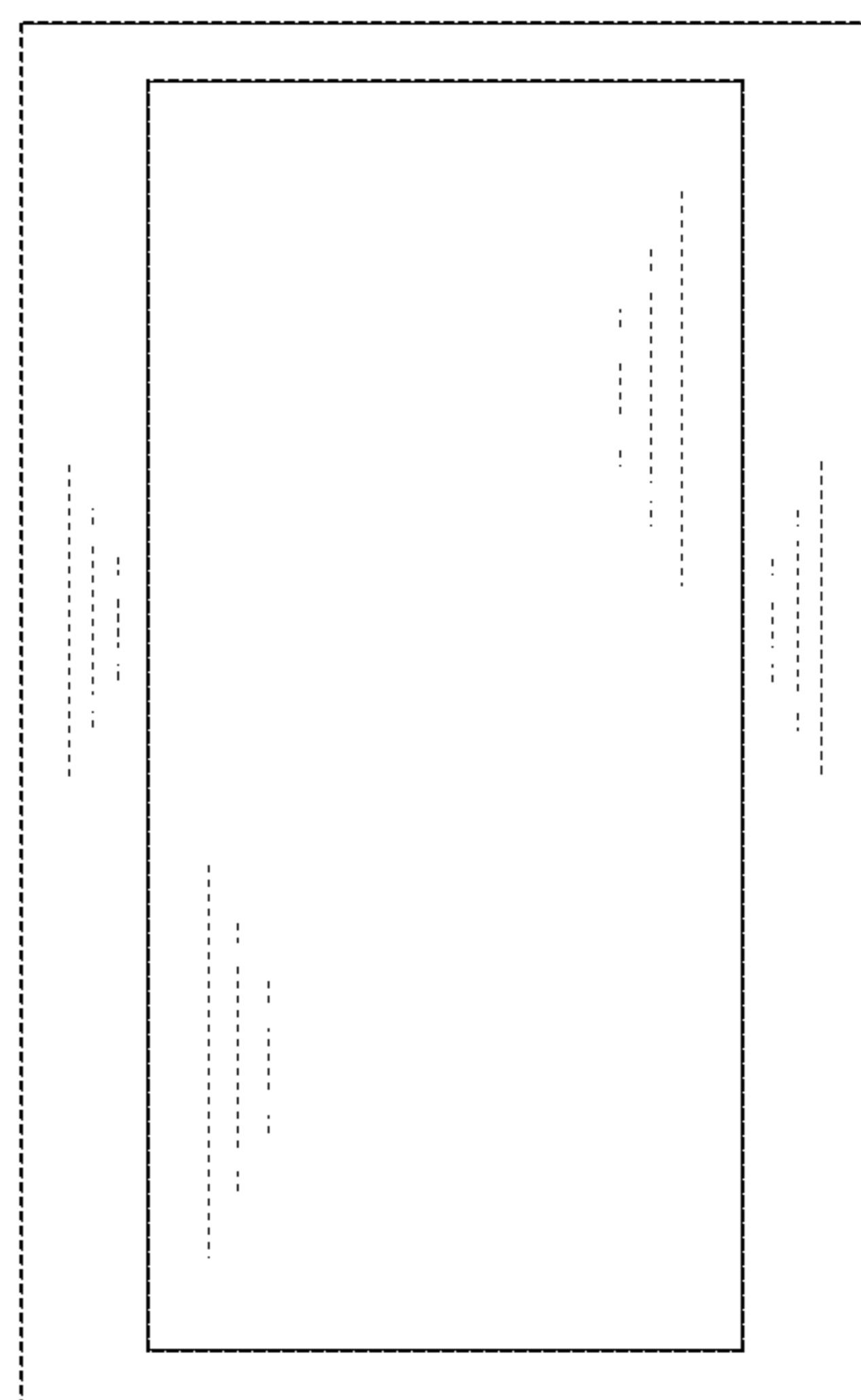
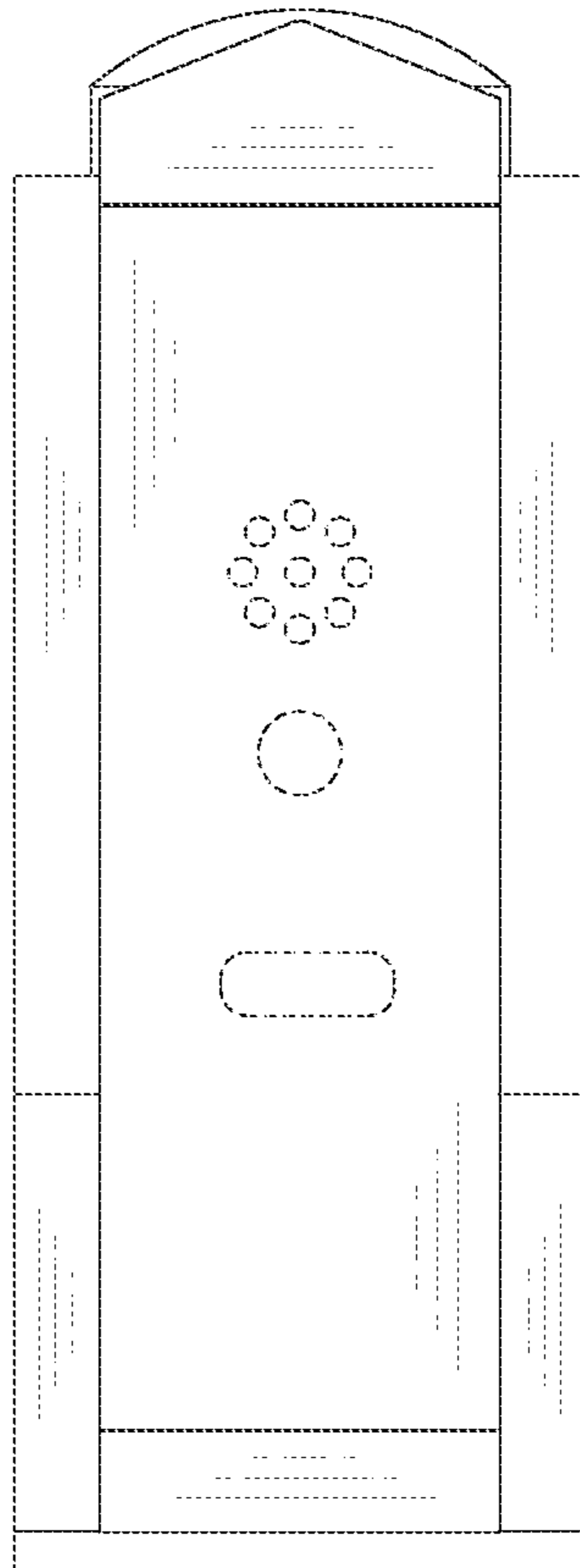


FIG. 4

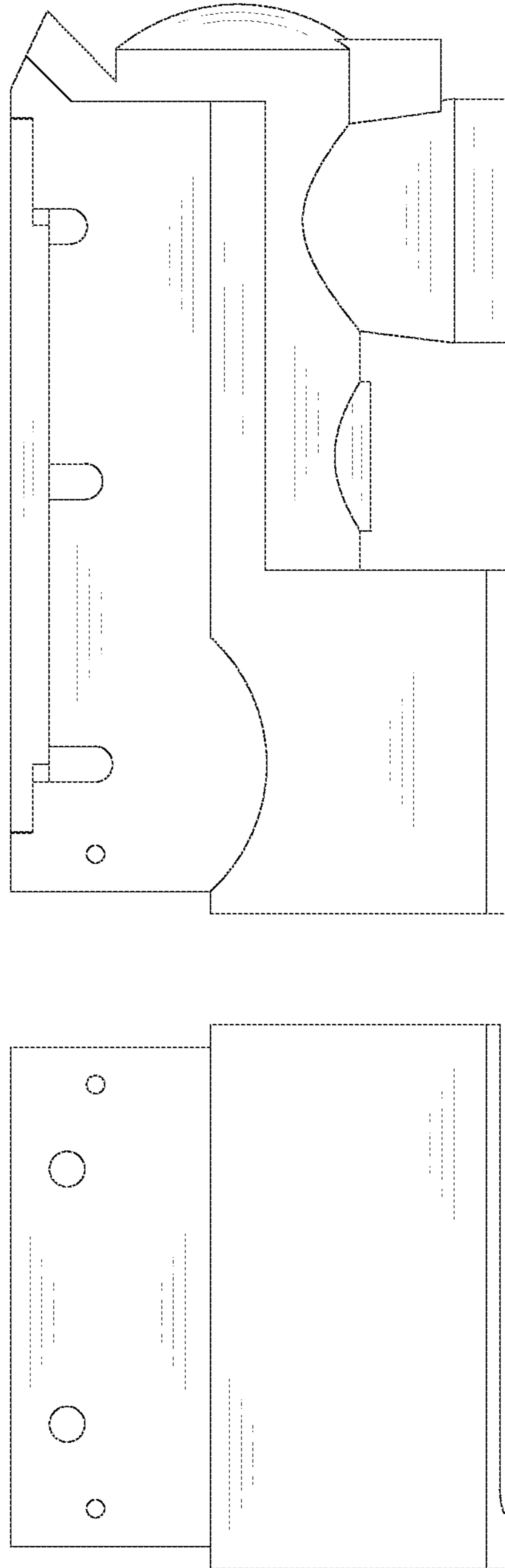


FIG. 5

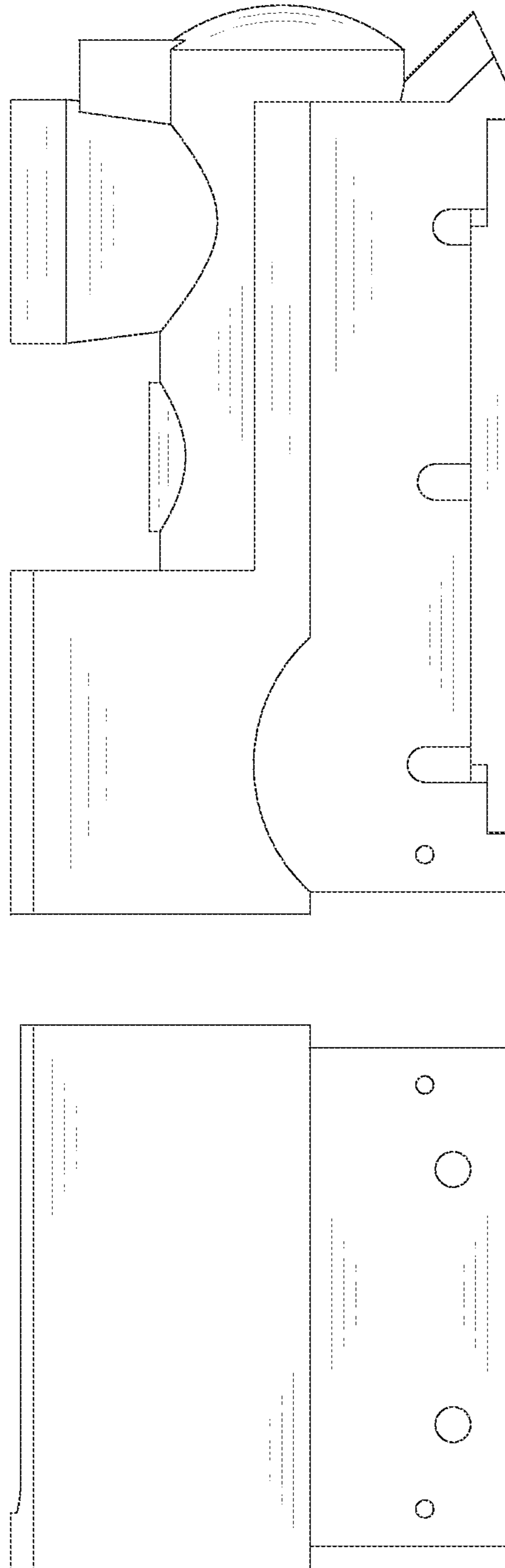


FIG. 6

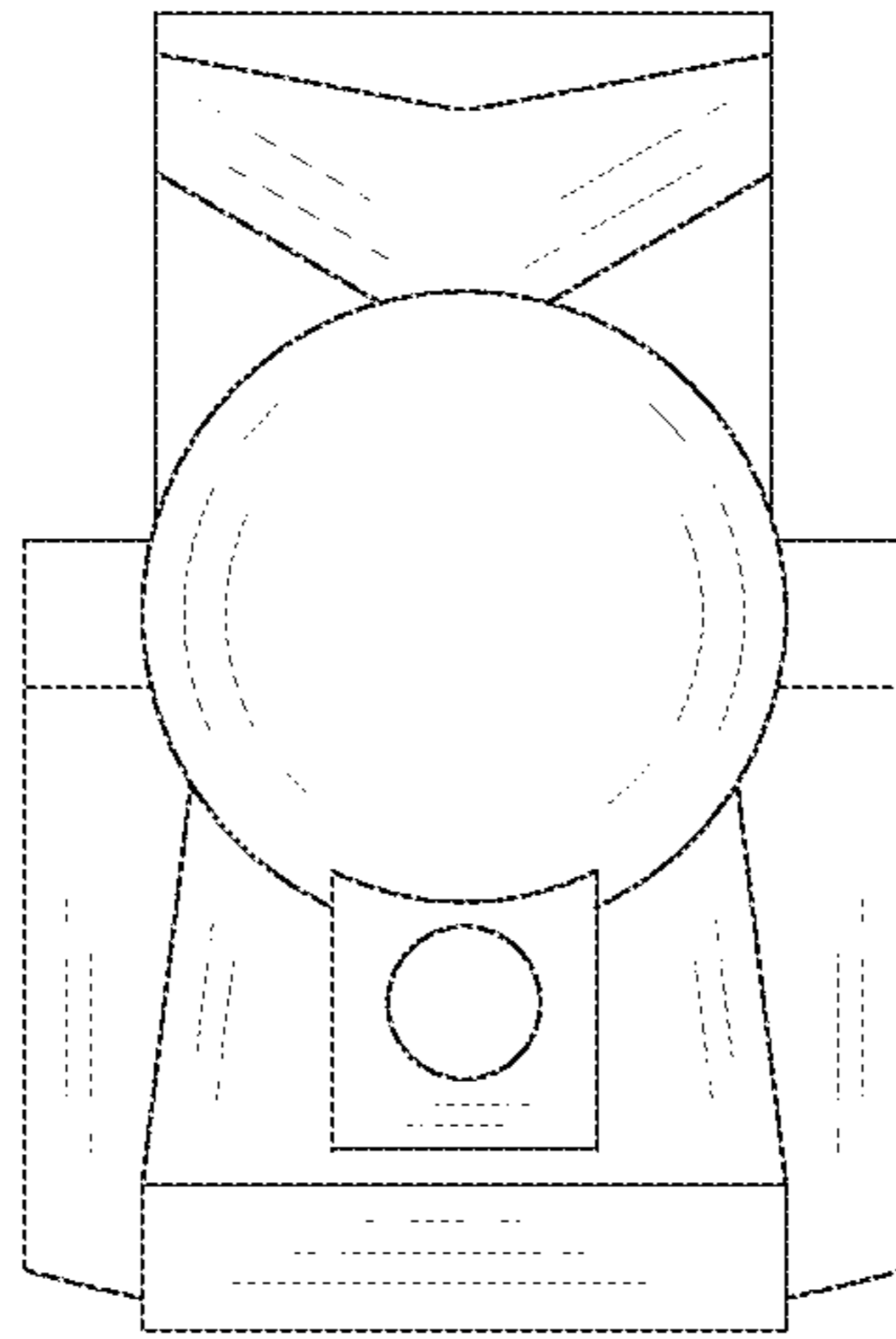


FIG. 7

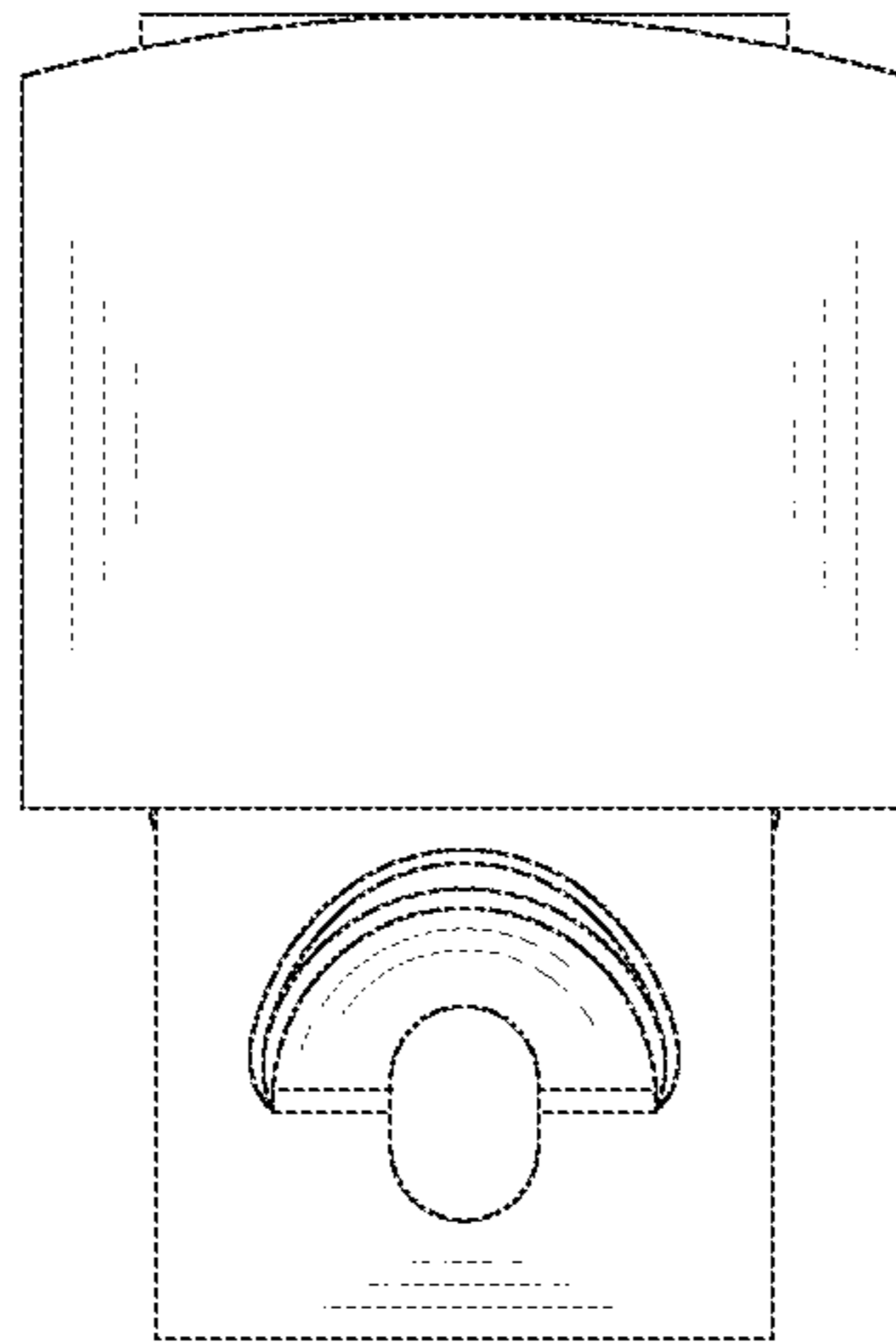


FIG. 8