



US00D984552S

(12) **United States Design Patent**
Hardstaff

(10) **Patent No.: US D984,552 S**

(45) **Date of Patent: ** Apr. 25, 2023**

(54) **CONSTRUCTIONAL TOY ELEMENT**

A63H 29/00; A63H 29/22; A63H 33/00;
A63H 33/003; A63H 33/005; A63H
33/009; A63H 33/042; A63H 33/08;
A63H 33/086; A63H 33/18; A63H 33/30;
A63H 33/3016; A63H 33/42; A63H 3/28;
A63H 5/00

(71) Applicant: **Creative Design Ideas Limited,**
Cirencester (GB)

(72) Inventor: **Richard Keith Hardstaff,** Cirencester
(GB)

See application file for complete search history.

(73) Assignee: **Creative Design Ideas Limited,**
Cirencester (GB)

(56) **References Cited**

U.S. PATENT DOCUMENTS

(**) Term: **15 Years**

(21) Appl. No.: **29/747,170**

(22) Filed: **Aug. 20, 2020**

D364,657 S *	11/1995	Schmidt	D21/563
D410,707 S *	6/1999	Krog	D23/370
D412,020 S *	7/1999	McCormick	D21/563
D550,783 S *	9/2007	Glickman	D21/503
D751,151 S *	3/2016	Bromfield	D8/349
D758,499 S *	6/2016	Glasband	D21/488
D808,471 S *	1/2018	Gutierrez	D21/488

Related U.S. Application Data

(62) Division of application No. 35/507,336, filed on Feb. 7, 2019 (U.S. filing date under 35 U.S.C. 384), and having an international filing date of Feb. 7, 2019, now Pat. No. Des. 903,007.

* cited by examiner

Primary Examiner — Khawaja Anwar
(74) *Attorney, Agent, or Firm* — Dickinson Wright PLLC;
Andrew D. Dorisio

(30) **Foreign Application Priority Data**

Jan. 14, 2019 (EM) 006013173-0001

(51) **LOC (14) Cl.** **21-03**

(52) **U.S. Cl.**
USPC **D21/488**

(58) **Field of Classification Search**

USPC D21/478, 479, 484, 485–505
CPC .. E04B 1/343; E04B 1/34315; E04B 1/34869;
E04B 2001/34389; E04H 1/005; E04H
1/12; E04H 2005/005; E04H 5/00; A63H
15/06; A63H 2200/00; A63H 30/04;
A63H 33/26; A63H 11/00; A63H 13/02;
A63H 15/08; A63H 17/00; A63H 17/25;
A63H 17/26; A63H 17/262; A63H 1/00;
A63H 1/02; A63H 1/04; A63H 27/12;

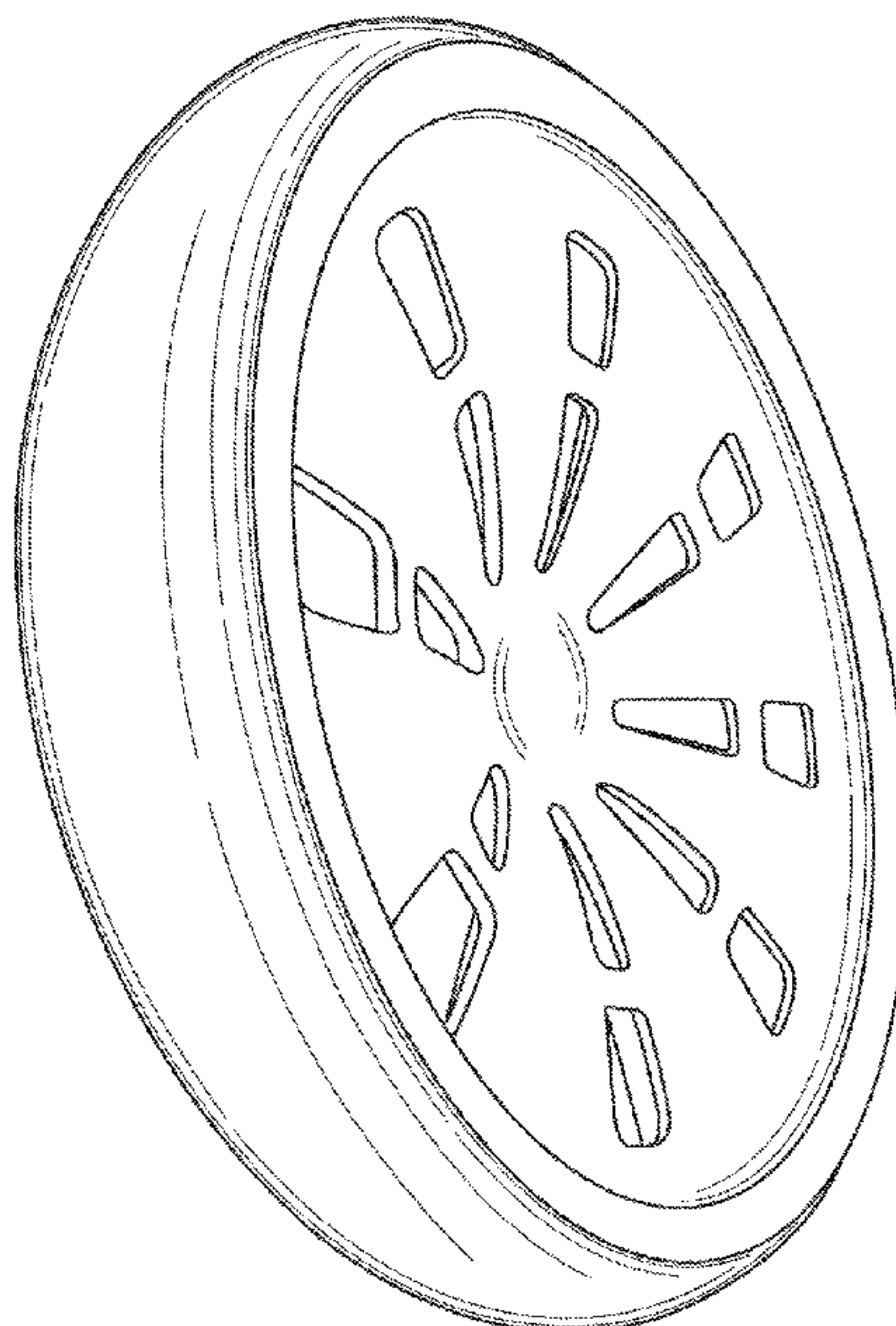
(57) **CLAIM**

The ornamental design for a constructional toy element, as shown.

DESCRIPTION

FIG. 1 is a perspective view of a constructional toy element, showing my new design;
FIG. 2 is another perspective view thereof;
FIG. 3 is plan view thereof;
FIG. 4 is another plan view thereof;
FIG. 5 is side elevation view thereof;
FIG. 6 is another side elevation view thereof; and,
FIG. 7 is an end elevation view thereof.

1 Claim, 7 Drawing Sheets



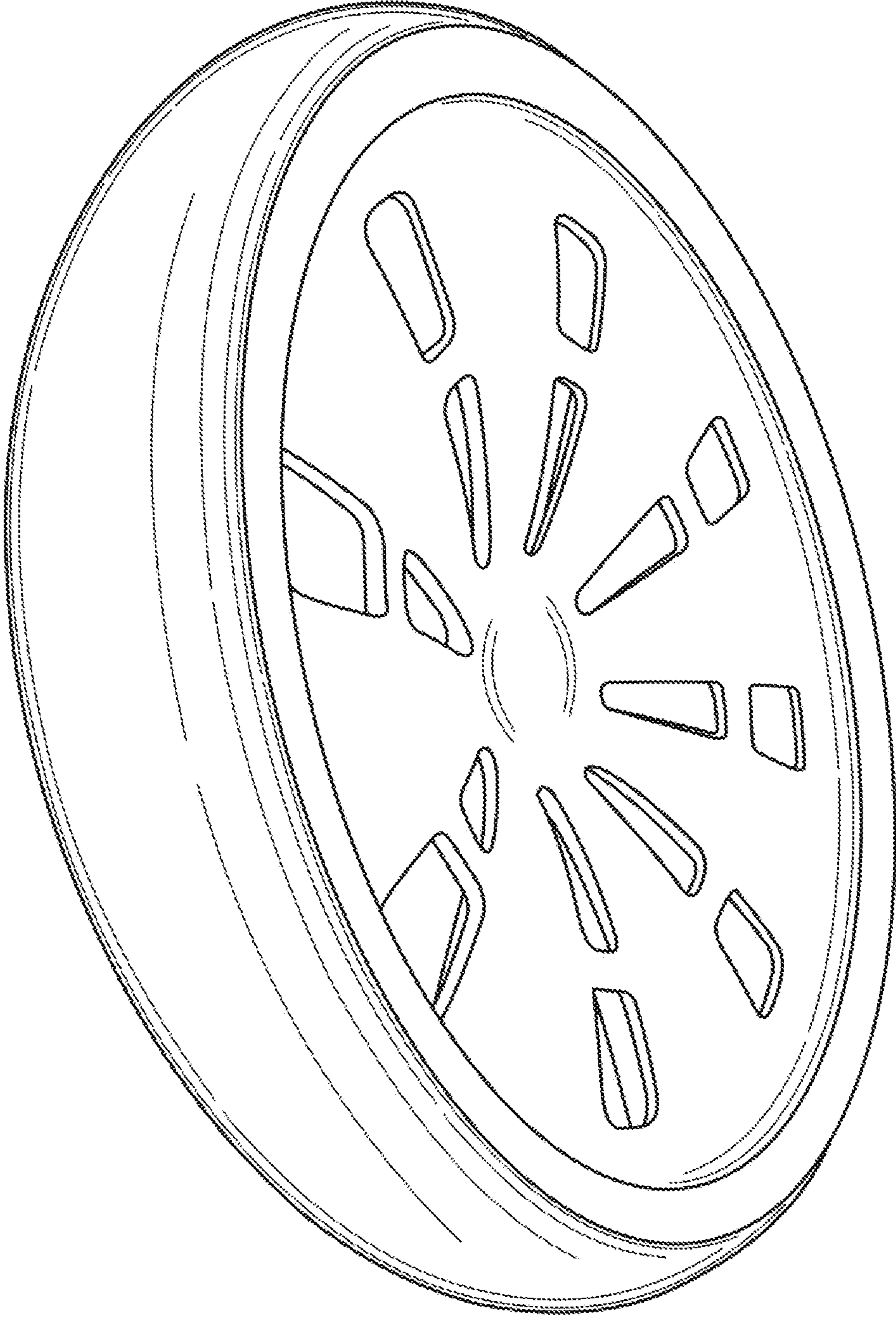


FIG. 1

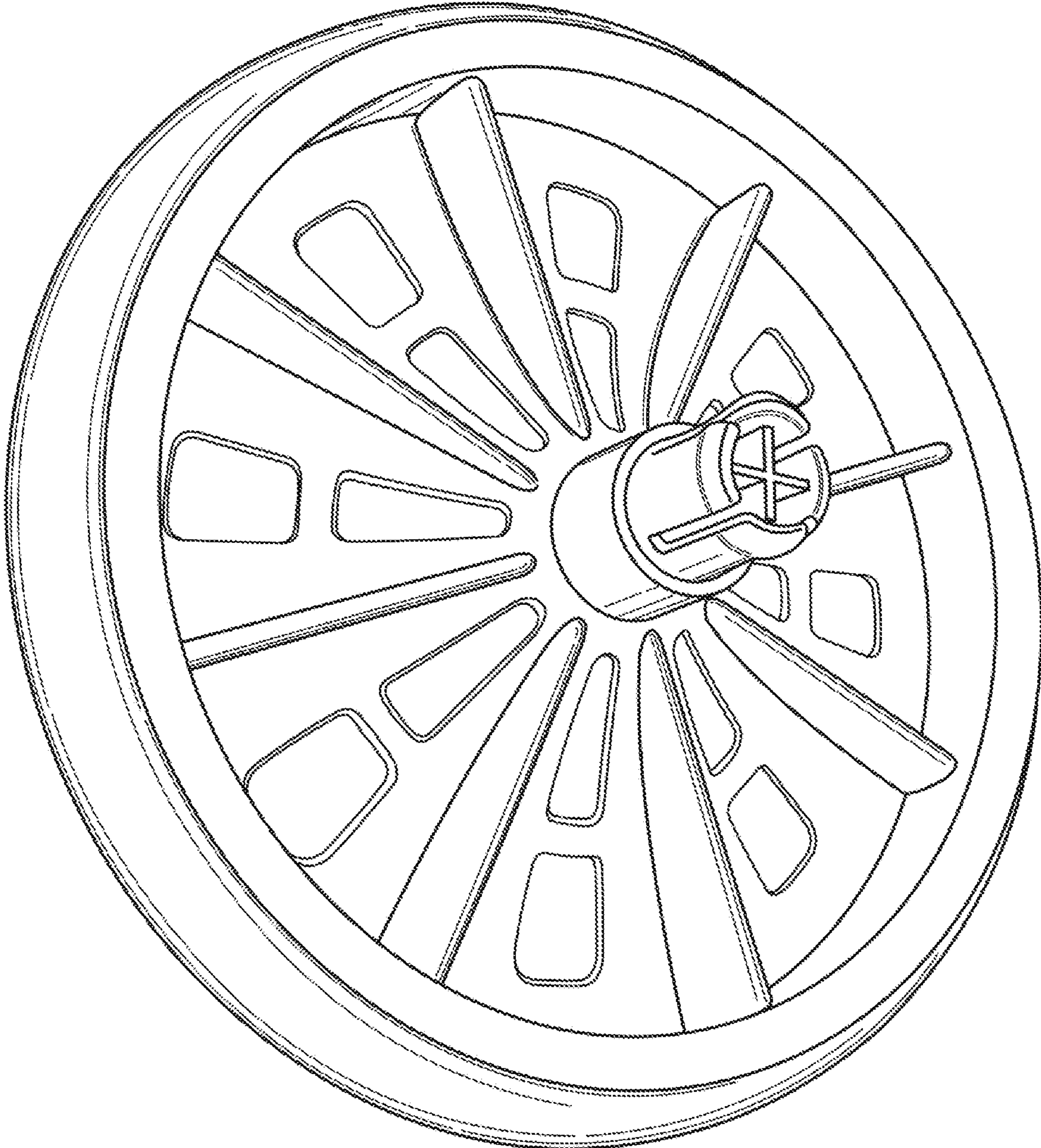


FIG. 2

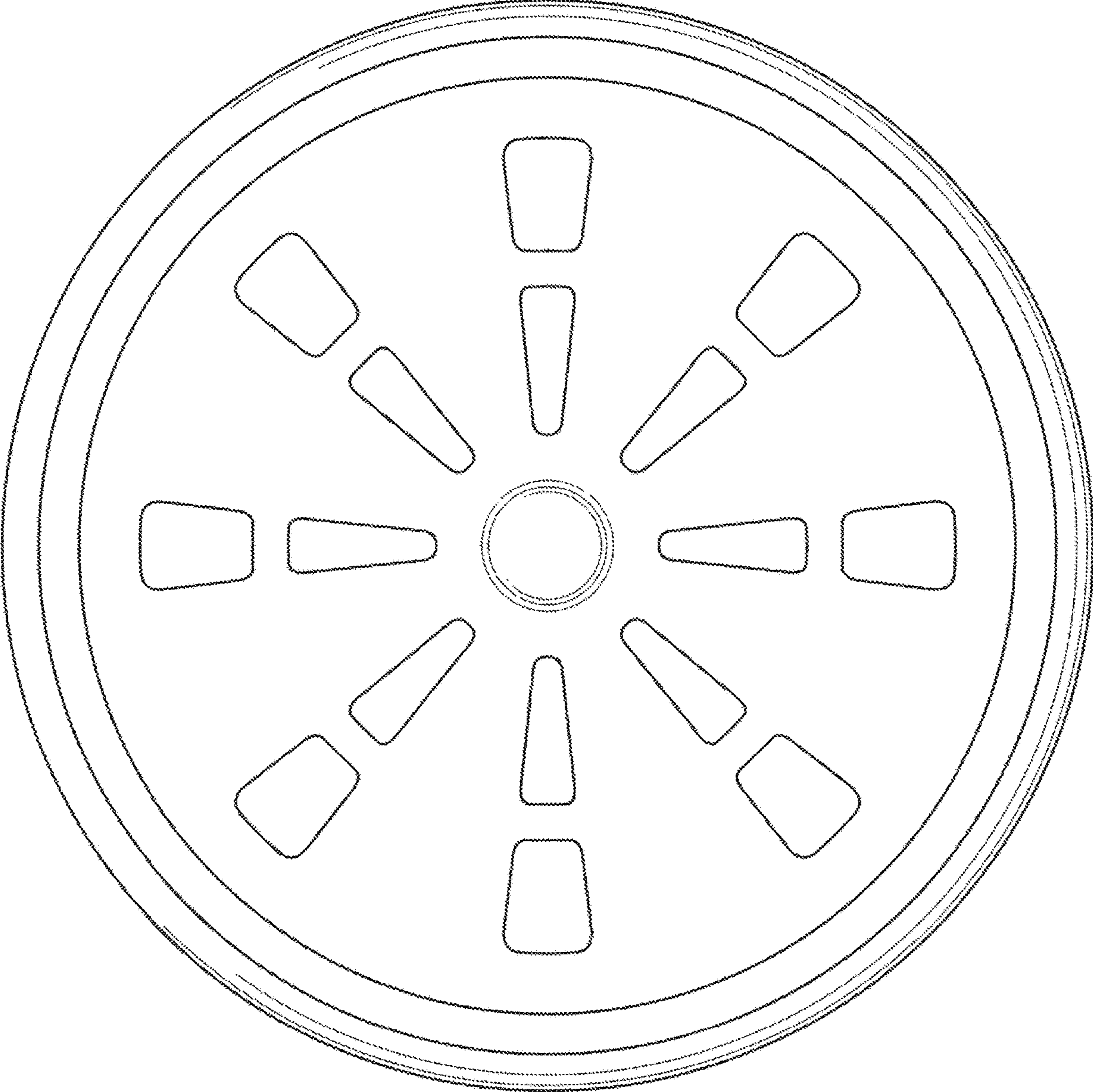


FIG. 3

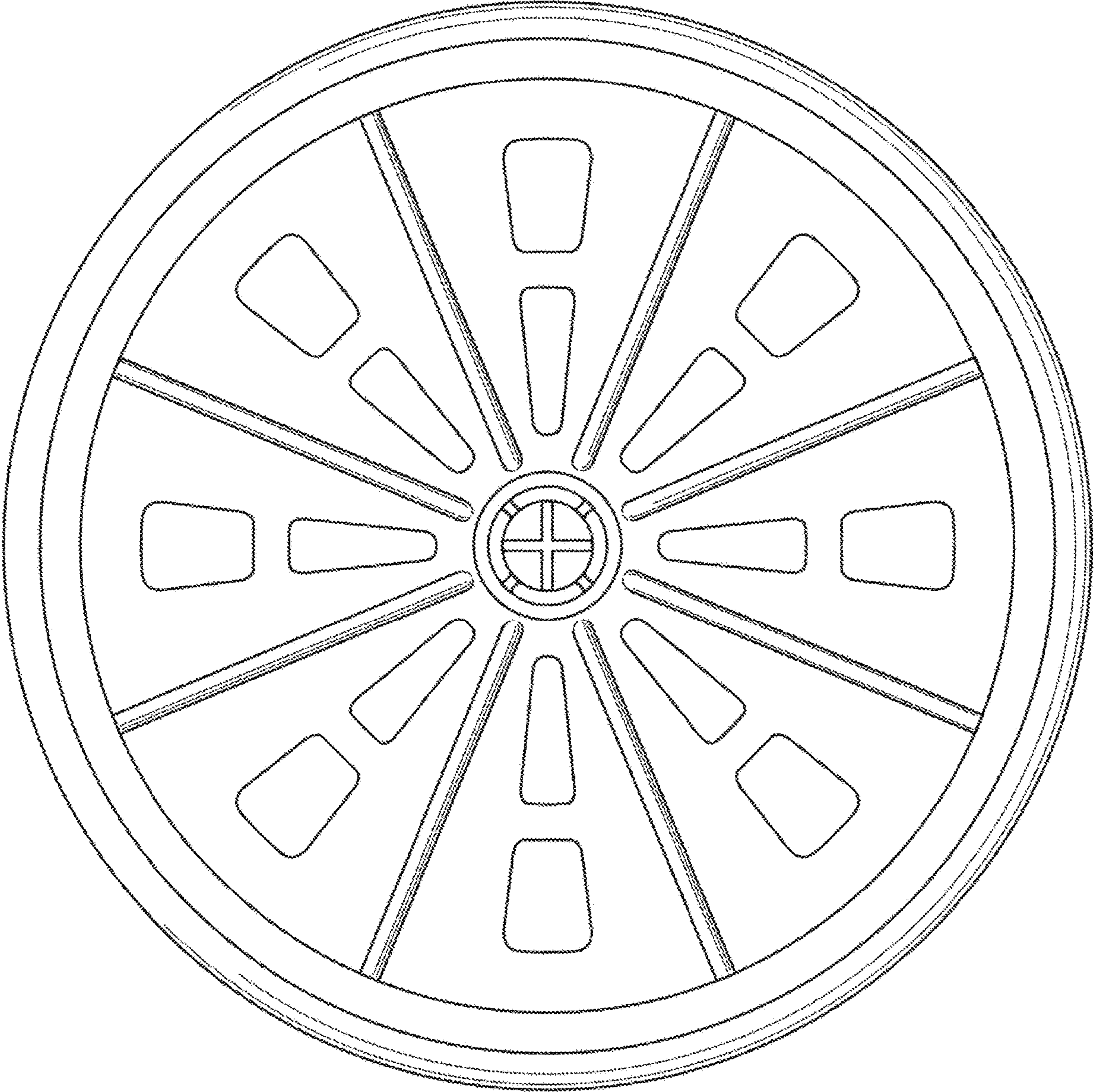


FIG. 4

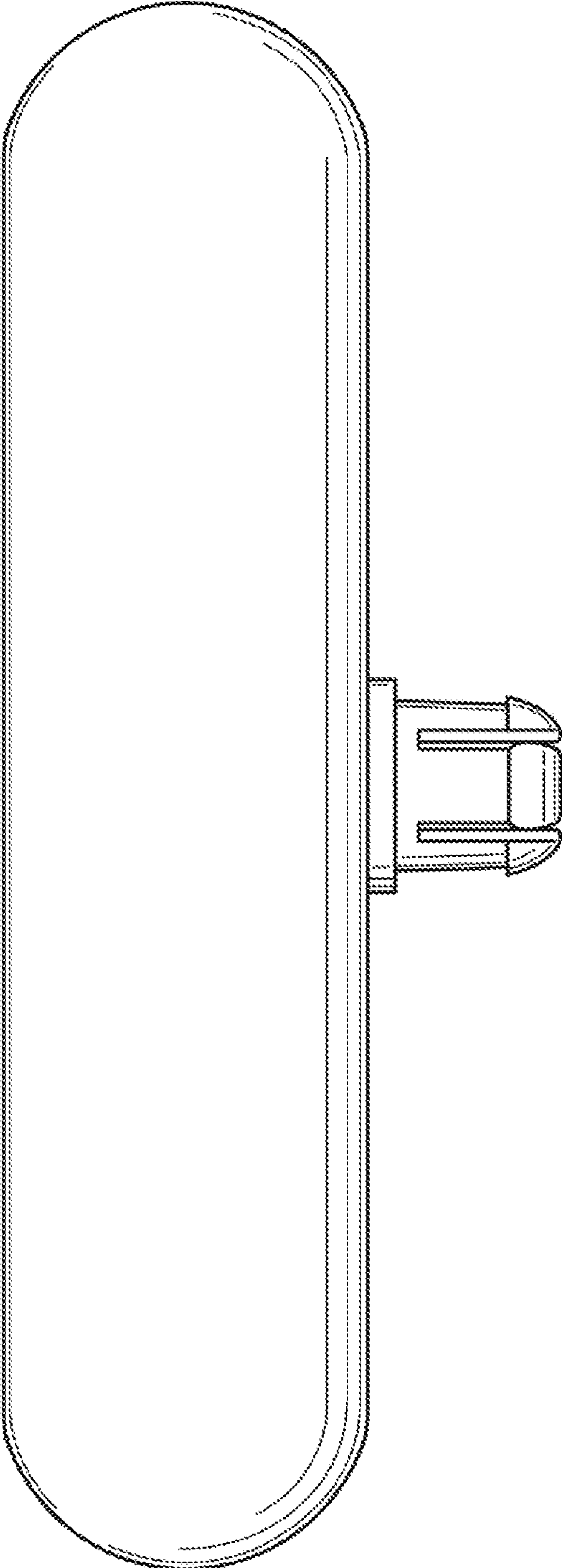


FIG. 5

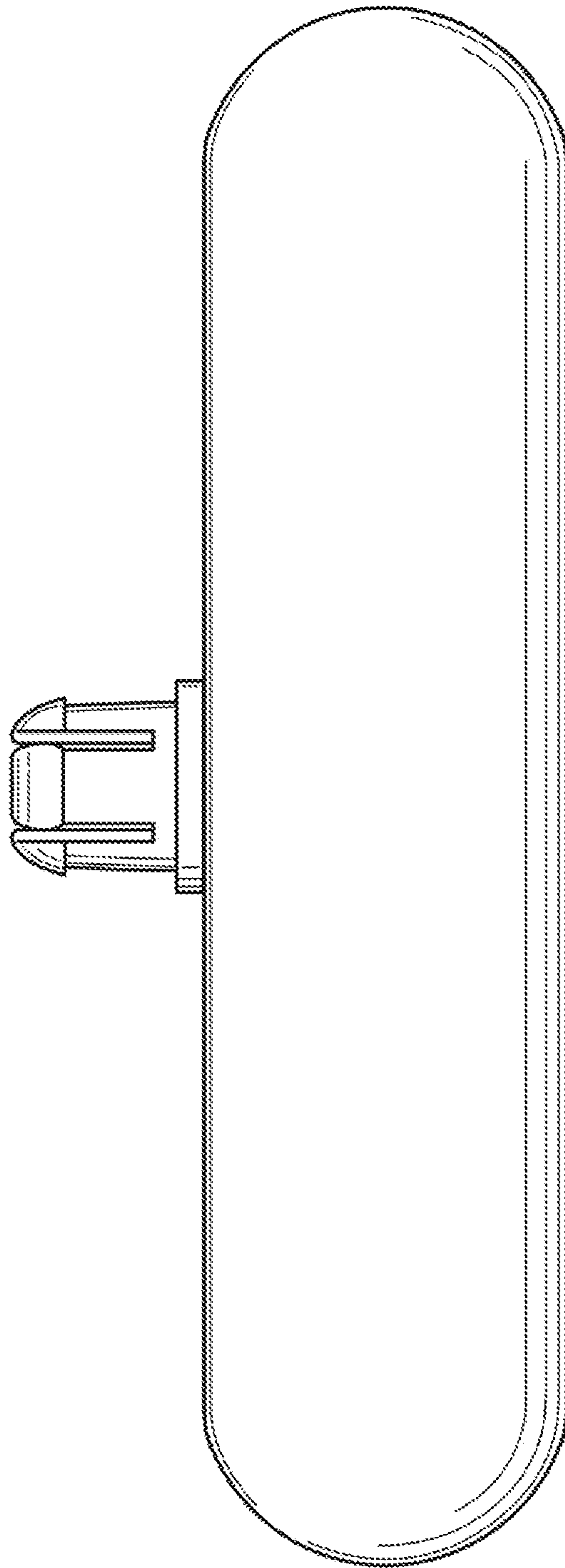


FIG. 6

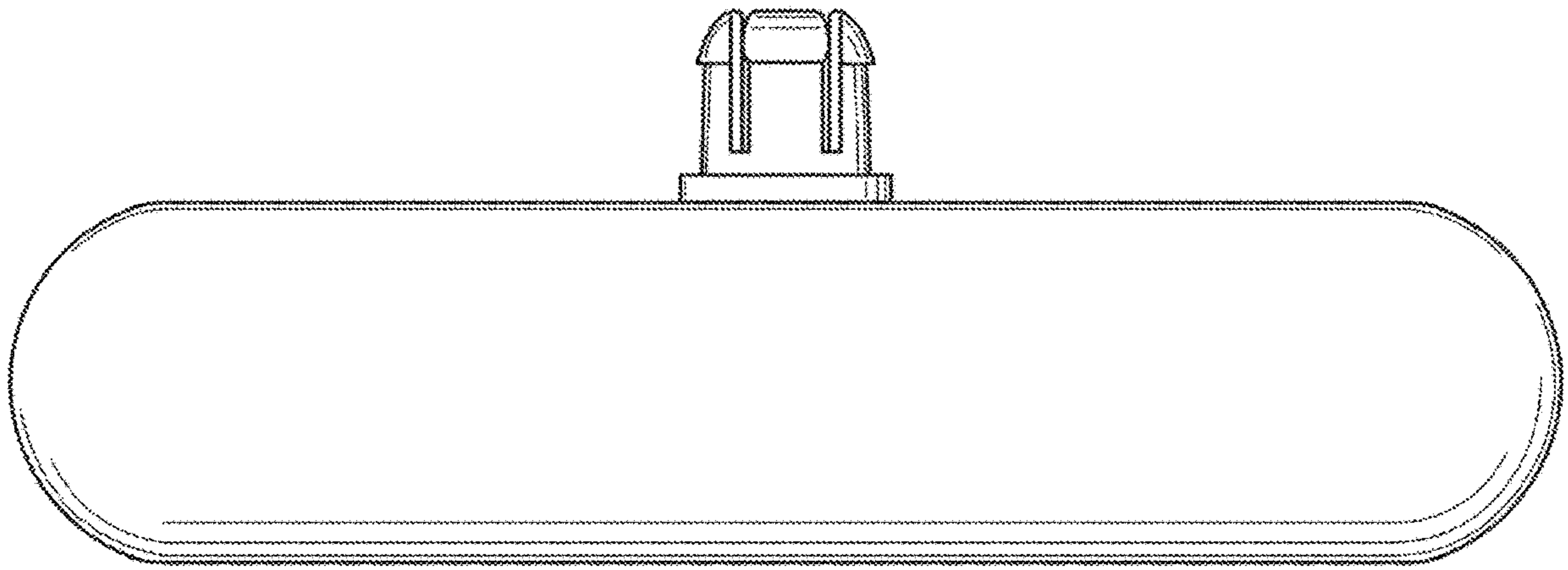


FIG. 7