



US00D984550S

(12) **United States Design Patent**
Krogue et al.

(10) **Patent No.:** **US D984,550 S**
(45) **Date of Patent:** **** Apr. 25, 2023**

(54) **BODY FOR ENRICHMENT TOY**

FOREIGN PATENT DOCUMENTS

(71) Applicants: **Christine Krogue**, Kaysville, UT (US);
John Krogue, Kaysville, UT (US)

EM 008098362-0001 12/2020
FR 2722417 A1 * 1/1996 A63B 47/002
WO WO-2014178862 A2 * 11/2014 A63B 24/0075

(72) Inventors: **Christine Krogue**, Kaysville, UT (US);
John Krogue, Kaysville, UT (US)

(**) Term: **15 Years**

OTHER PUBLICATIONS

(21) Appl. No.: **29/778,903**

“Fill N’ Splash” Jul. 19, 2022, YouTube, site visited Nov. 22, 2022:
<https://www.youtube.com/watch?v=Fo0yPo8gdiE> (Year: 2022).*

(22) Filed: **Apr. 15, 2021**

(Continued)

(51) **LOC (14) Cl.** **21-01**

(52) **U.S. Cl.**

Primary Examiner — Jack Reickel

Assistant Examiner — Salamah Jordan

USPC **D21/475**; D21/704

(58) **Field of Classification Search**

(74) *Attorney, Agent, or Firm* — Camille A. Wilson;
Wilson Dutra, PLLC

USPC D21/300–303, 310, 312, 337, 385, 398,
D21/456, 466, 468, 473–476, 484, 486,
D21/487, 497, 502, 503, 507, 509, 530,
D21/553, 561, 564, 565, 658, 662, 691,
D21/694, 699, 701–705, 720, 721, 781,
D21/782, 783, 785, 799.1, 799.2, 811,
D21/814, 818, 789, 796; D19/59, 60, 62;
D30/121, 122, 133, 160, 130;
D6/512–517, 540, 542, 545, 552, 553;
D23/259, 262–268, 393, 394; D9/730,
D9/733; D3/221, 257; 446/168–174,
446/429, 444, 475, 489

CPC A63B 47/00; A63B 47/002; A63B 63/00;
A63B 63/08; A63B 2063/001; A63B
69/40; A63B 69/401; A63F 7/02; A63F
7/04; A63F 7/28; A63F 7/3622; A63F
2007/282; A63F 2007/286; A63F
2007/341; A63F 2007/345; A63F
2007/346; A63F 2009/0204; A63H 15/00;
A63H 18/00; A63H 18/028; A63H 33/00;
A63H 23/00;

(Continued)

(57) **CLAIM**

The ornamental design for a body for enrichment toy, as
shown and described.

DESCRIPTION

FIG. 1 is a left front perspective view of a body for
enrichment toy in accordance with the present invention;
FIG. 2 is a front right perspective view thereof;
FIG. 3 is a top right perspective view thereof;
FIG. 4 is a front view thereof;
FIG. 5 is a back view thereof;
FIG. 6 is a left side view thereof;
FIG. 7 is a right side view thereof;
FIG. 8 is a top view thereof; and,
FIG. 9 is a bottom view thereof.

The broken lines are included for the purpose of illustrating
portions of the body for enrichment toy that form no part of
the claimed design. The unshaded interior regions shown in
FIGS. 2 and 8 form no part of the claimed design.

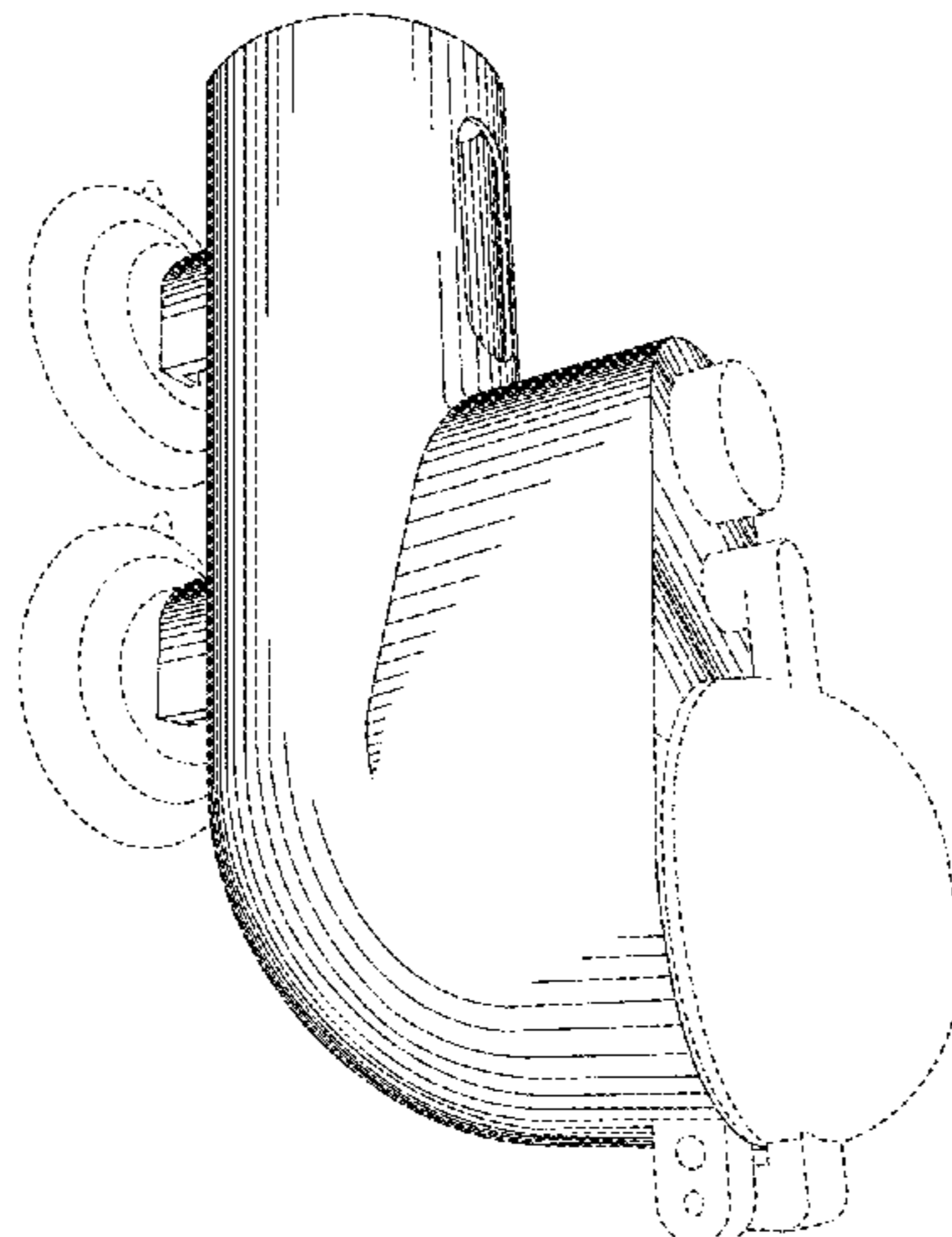
(56) **References Cited**

U.S. PATENT DOCUMENTS

D83,254 S * 2/1931 Holm D3/257
2,400,013 A * 5/1946 Lowell A63F 7/3622
446/171

(Continued)

1 Claim, 9 Drawing Sheets



US D984,550 S

Page 2

(58) **Field of Classification Search**

CPC A63H 23/005; A63H 23/10; A63H 23/16;
A63H 29/08; A63H 33/30

See application file for complete search history.

(56) **References Cited**

U.S. PATENT DOCUMENTS

D190,088 S * 4/1961 Tilli D21/565
3,145,992 A * 8/1964 McClung A63B 69/0071
473/433
3,195,267 A * 7/1965 Gehlen A63F 7/2472
248/688
3,814,421 A * 6/1974 Spier, Jr. A63B 69/0071
473/433
4,000,899 A * 1/1977 Breslow A63F 9/0204
273/386
D271,508 S * 11/1983 McGregor D21/704
D308,237 S * 5/1990 McCullough D21/704
5,123,719 A * 6/1992 Oden A63B 47/00
312/49
5,431,398 A * 7/1995 Simpkins A63F 7/28
273/129 Q
D369,187 S * 4/1996 Simpkins D21/454
D370,964 S * 6/1996 Horvath D23/262
D402,718 S * 12/1998 Roach D21/704
D467,626 S * 12/2002 Ben-Arush D21/475
D476,451 S * 6/2003 Morgan, Sr. D30/121
D545,929 S * 7/2007 DeGray D21/704
D556,559 S * 12/2007 Jones D8/382
D559,470 S * 1/2008 Stevens D30/121

7,648,431 B1 * 1/2010 Kinkead A63B 63/00
473/422
D629,975 S * 12/2010 Meritt D30/133
D704,384 S * 5/2014 Worsley D30/121
9,517,390 B1 * 12/2016 Duffy A63B 69/0026
D865,073 S * 10/2019 Weisman D21/616
D866,679 S * 11/2019 Zobel D21/456
D882,036 S * 4/2020 Kremerman D23/207
D918,313 S * 5/2021 Wang D21/565
11,260,274 B1 * 3/2022 Krogue A63F 7/3622
D950,166 S * 4/2022 Guan D30/132
D951,554 S * 5/2022 Wilson D30/106
D952,267 S * 5/2022 Yi D30/129
D957,540 S * 7/2022 Licht D21/565
D963,956 S * 9/2022 Haywood D30/121
D965,117 S * 9/2022 Hanson D23/263
D970,623 S * 11/2022 Li D21/302
2002/0112713 A1 * 8/2002 Backeris A63B 47/002
124/49
2005/0026520 A1 * 2/2005 Howerton A47C 15/006
441/132
2005/0224312 A1 * 10/2005 Farmer G07F 11/04
194/211
2018/0085679 A1 * 3/2018 Welch A63H 29/14

OTHER PUBLICATIONS

“Fill N’ Splash Submarine Bath Toy” Oct. 11, 2022, Amazon, site visited Nov. 22, 2022: <https://amzn.to/3Vwqg5h> (Year: 2022).*
“Boon Pipes Interactive Baby and Toddler Bath Tub Toys” Jul. 16, 2015, Amazon, site visited Nov. 28, 2022: <https://amzn.to/3u7tEI4> (Year: 2015).*

* cited by examiner

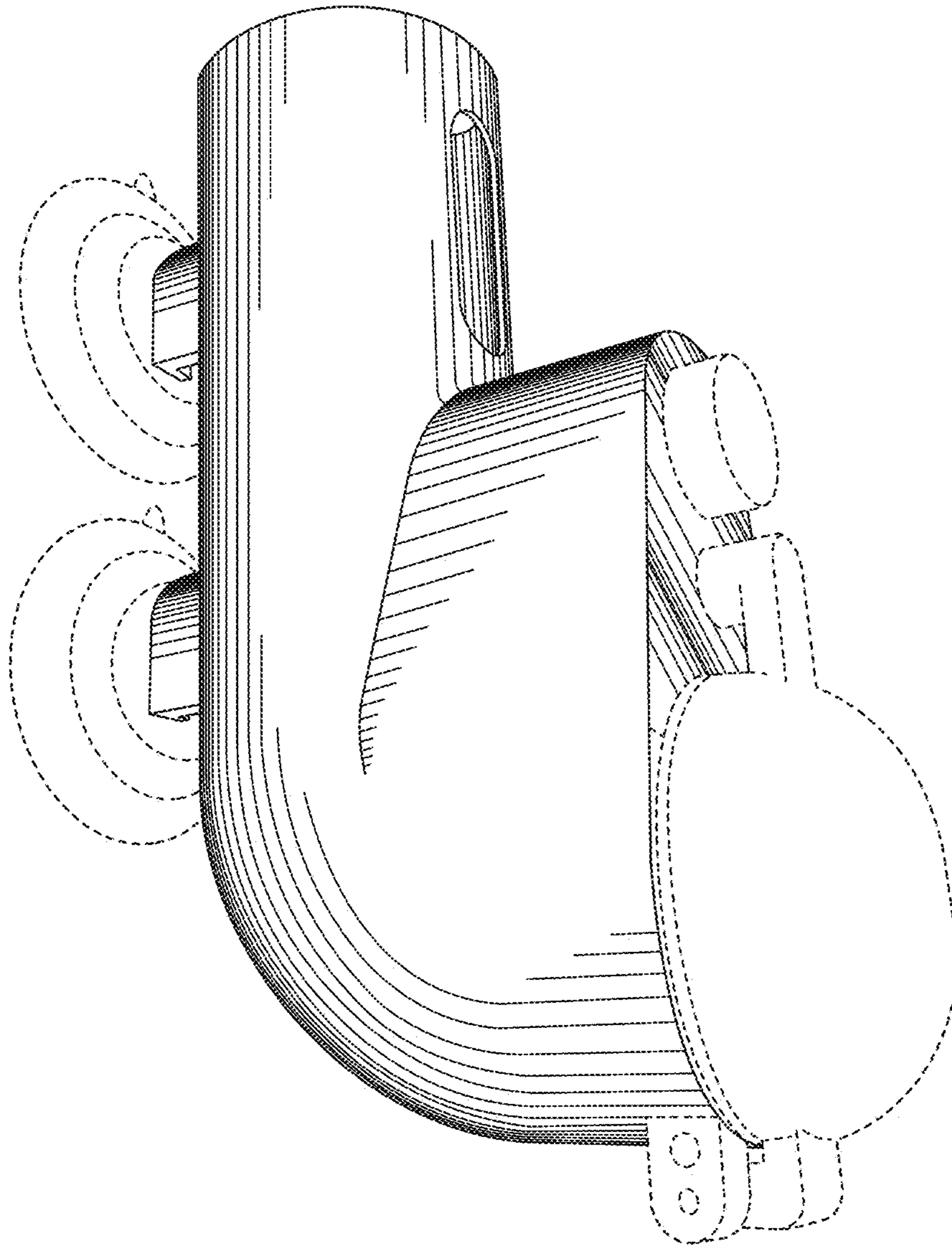


FIG. 1

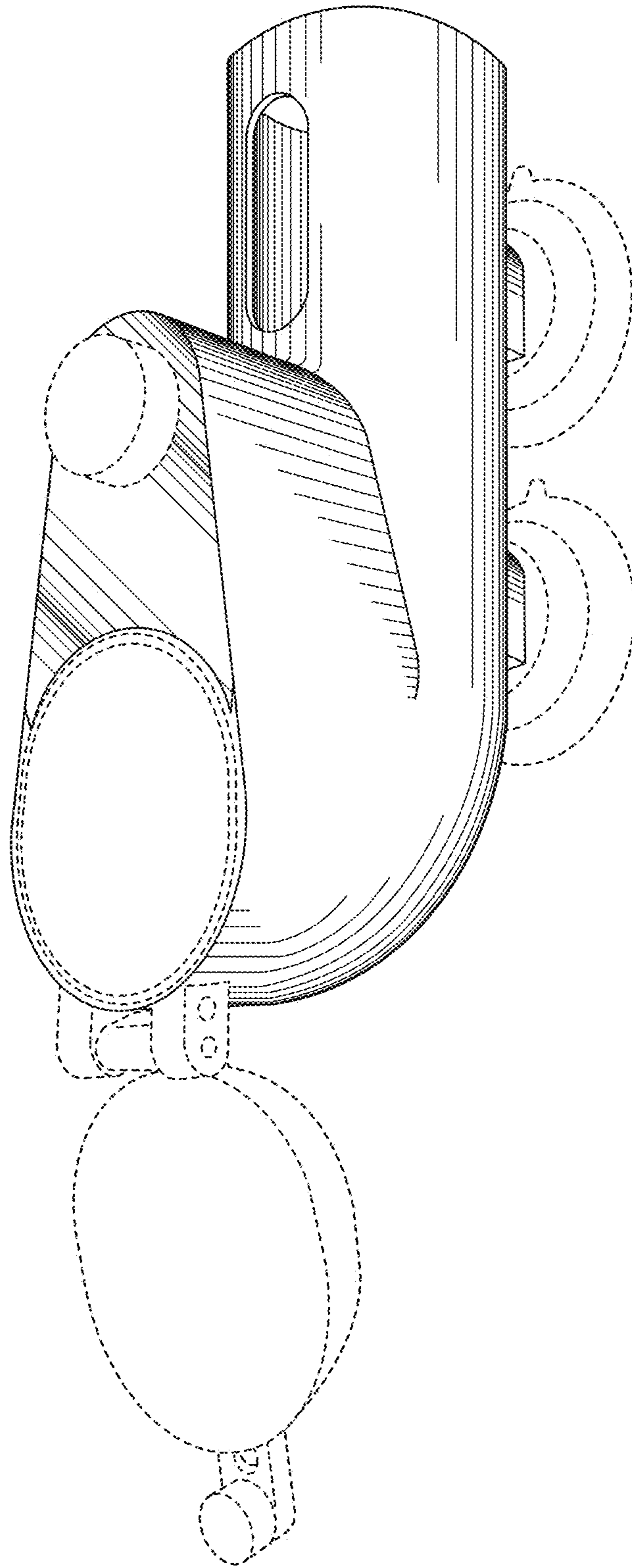


FIG. 2

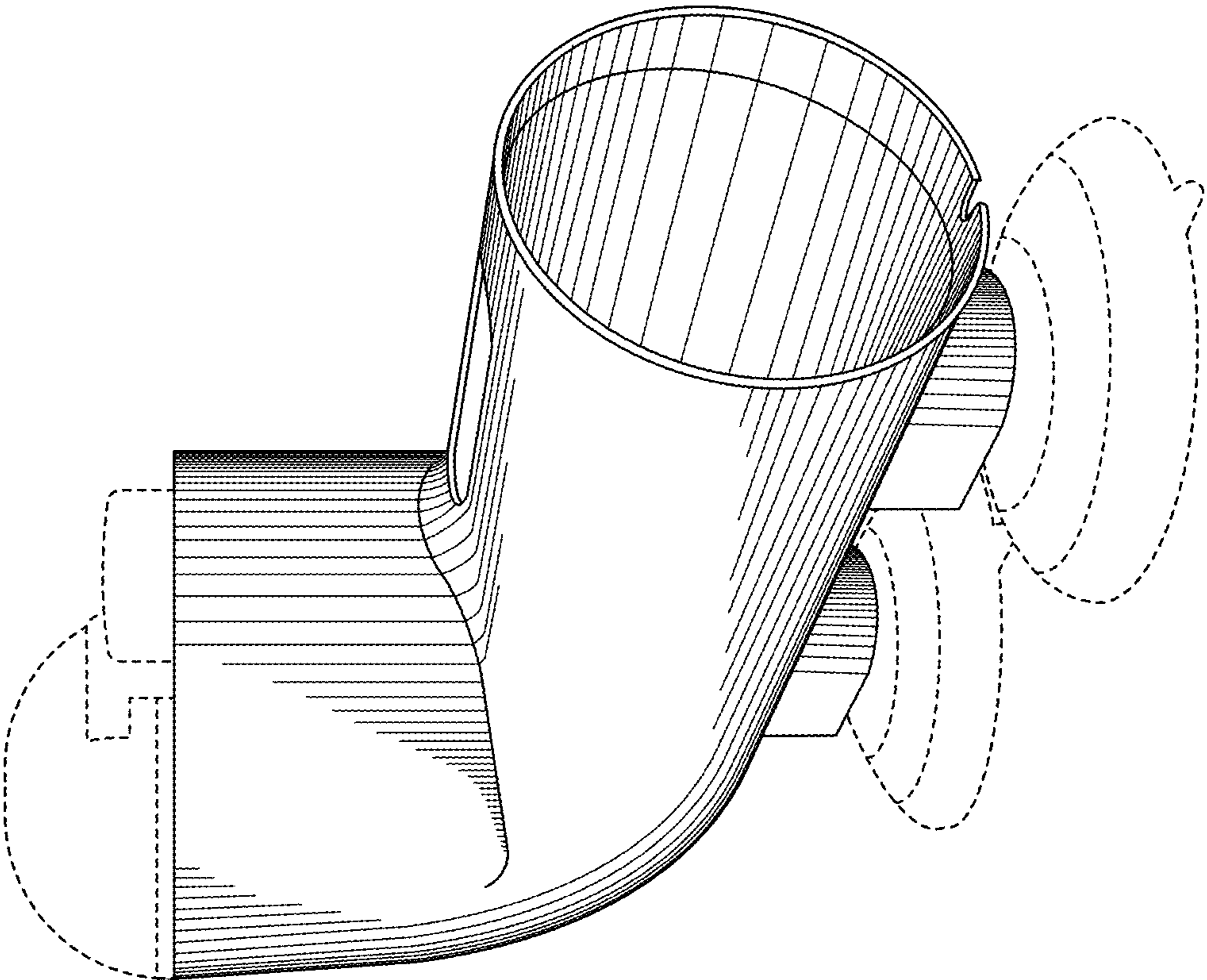


FIG. 3

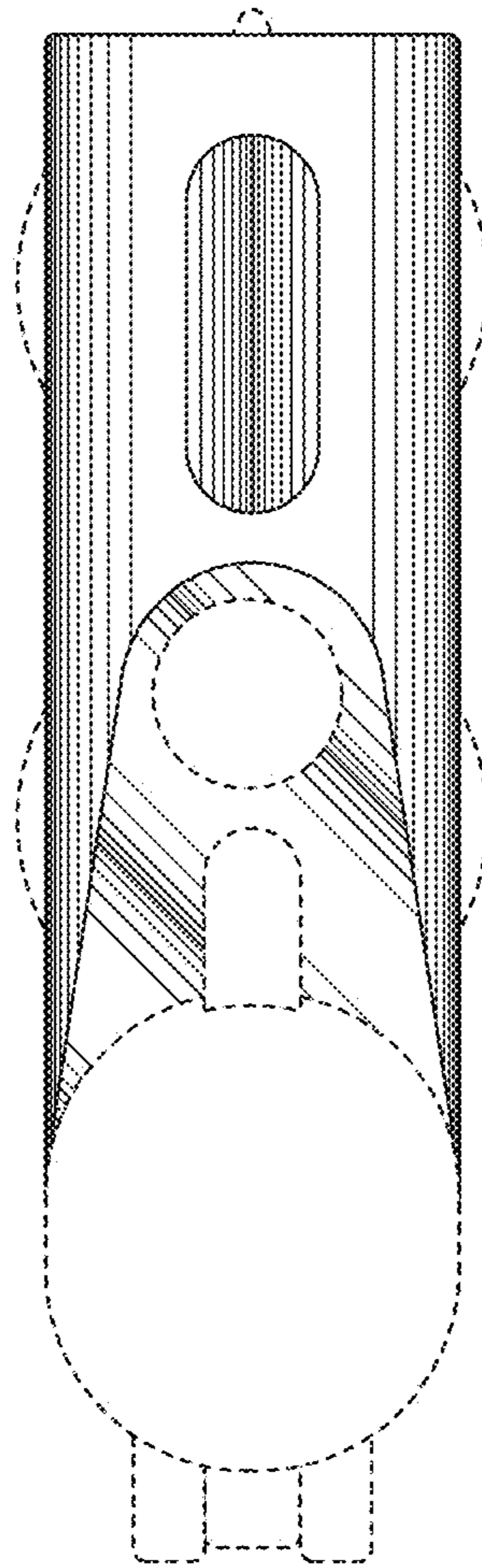


FIG. 4

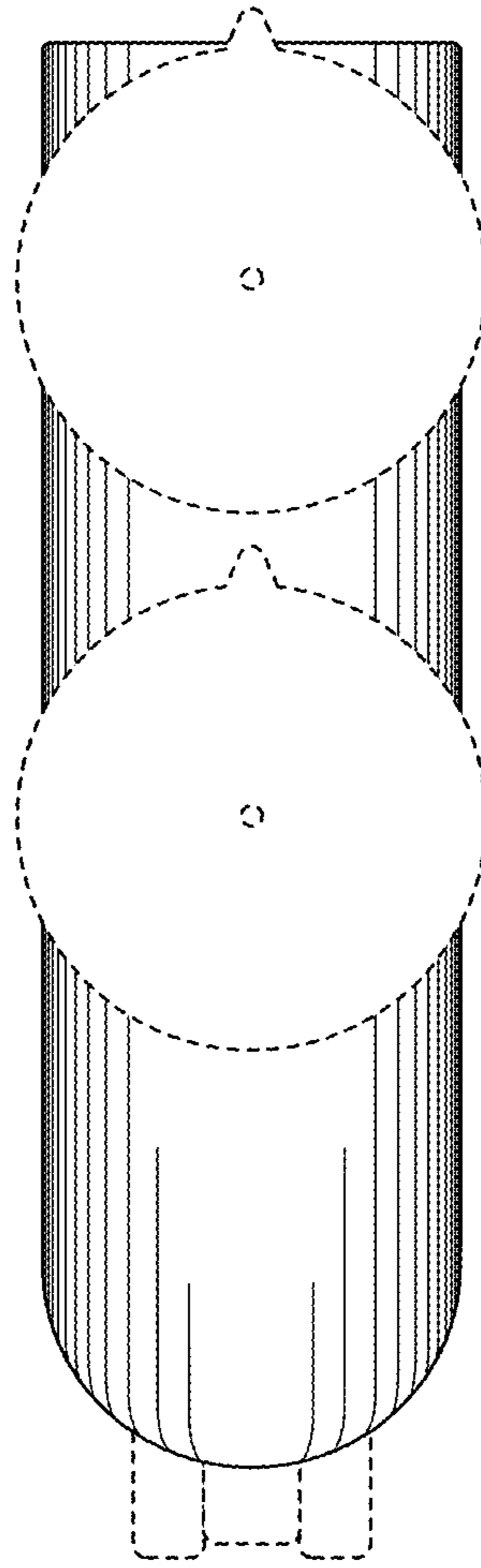


FIG. 5

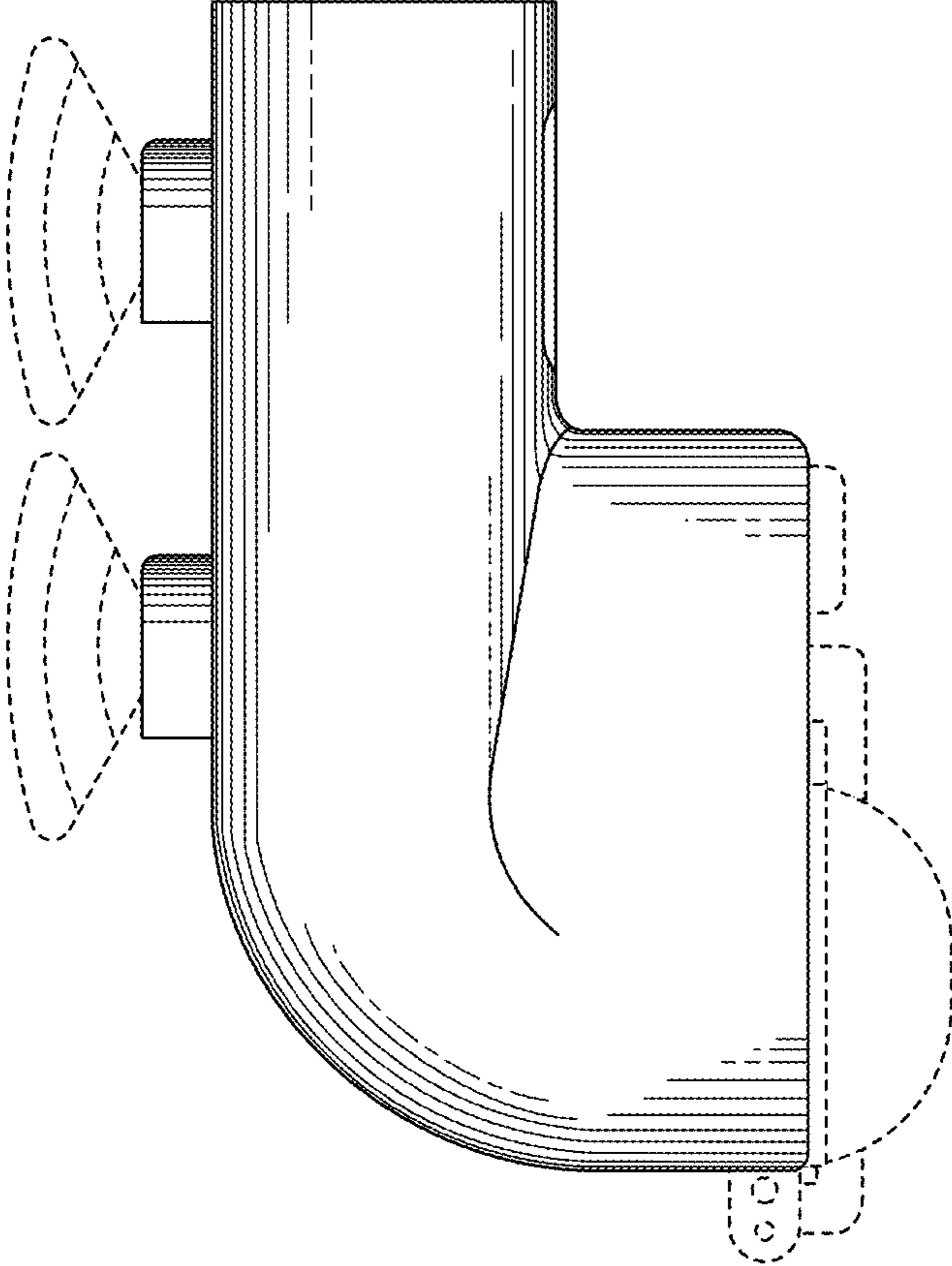


FIG. 6

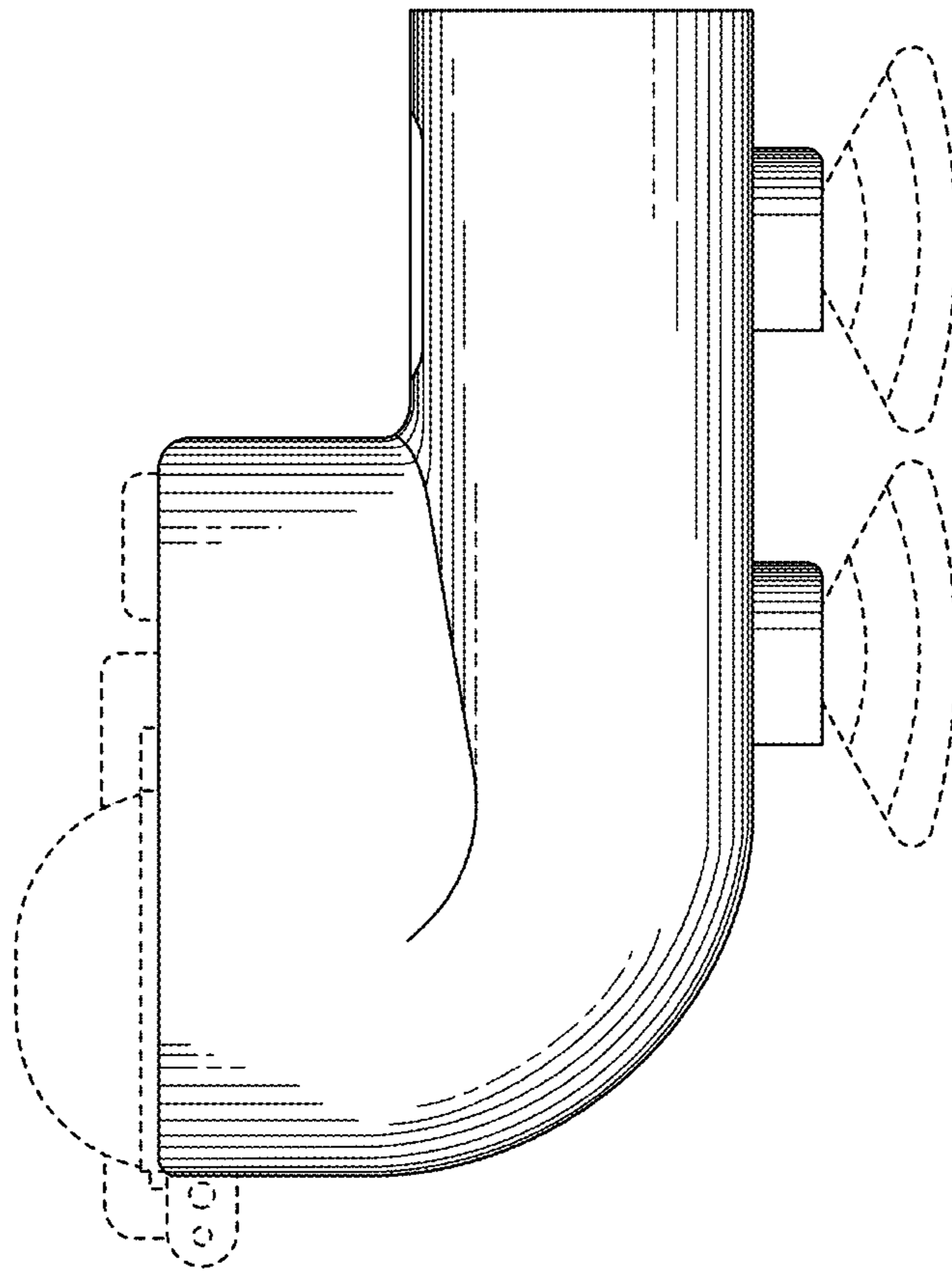


FIG. 7

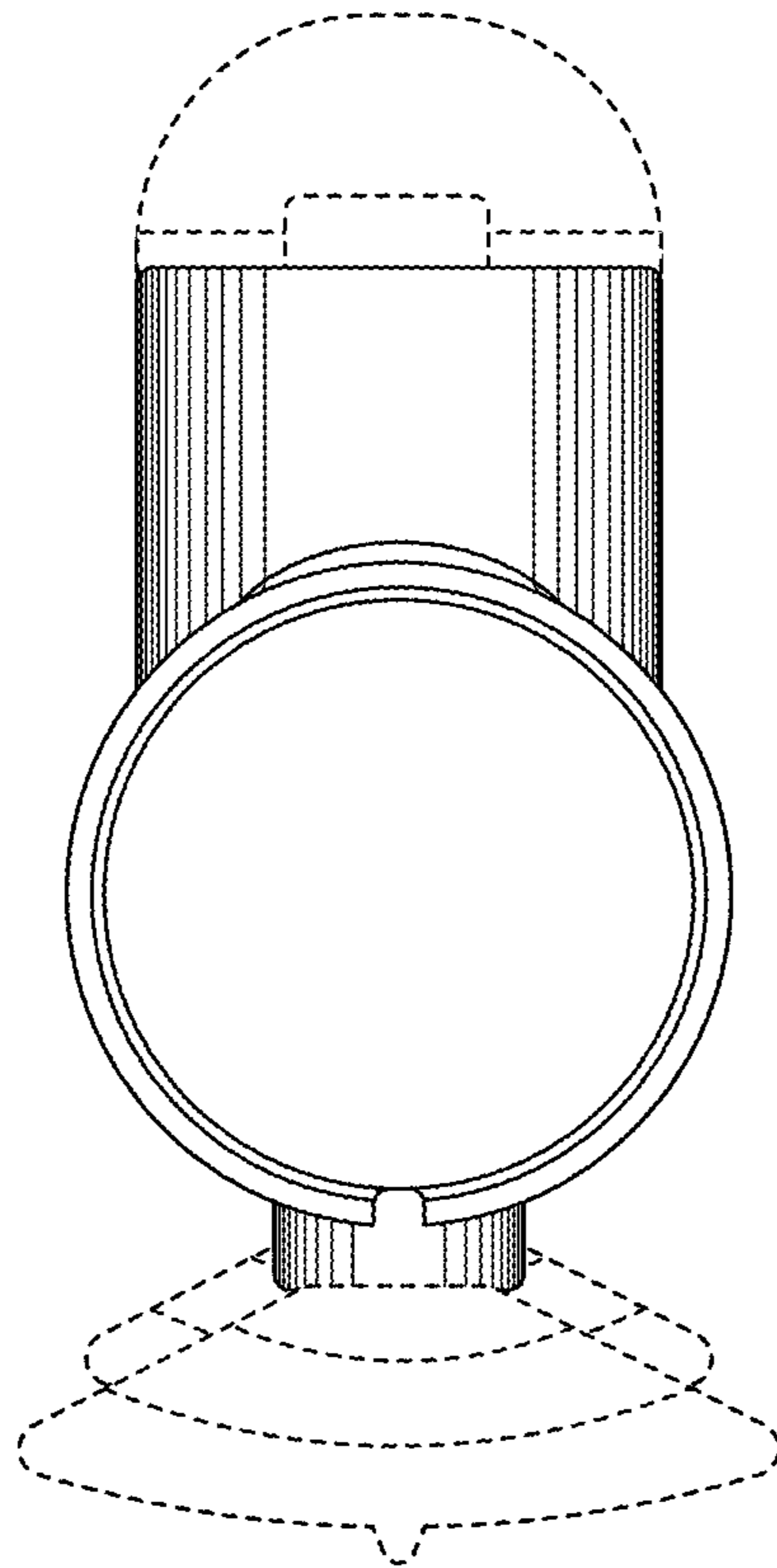


FIG. 8

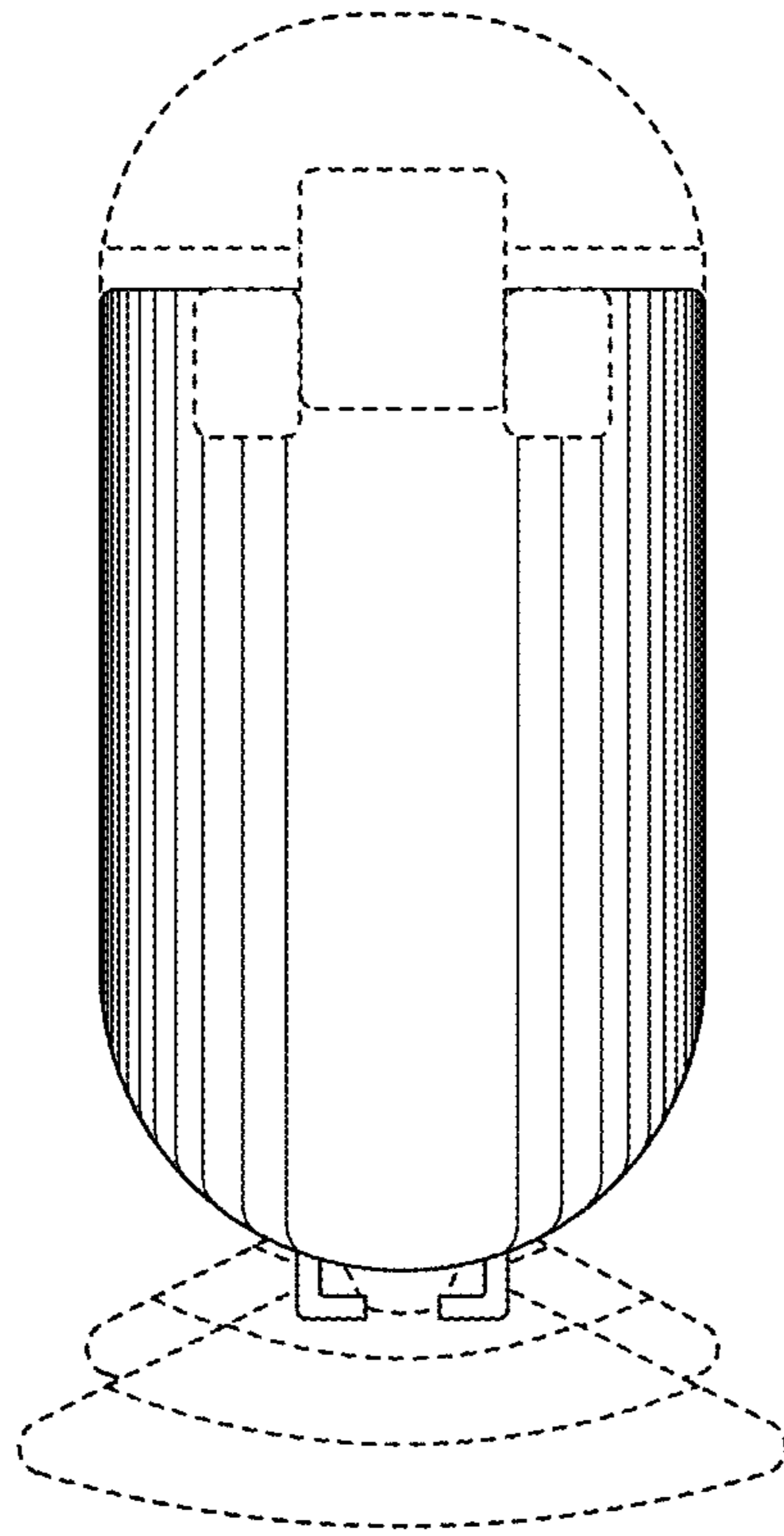


FIG. 9