



US00D984549S

(12) **United States Design Patent** (10) **Patent No.:** **US D984,549 S**  
**Pearce** (45) **Date of Patent:** **\*\* Apr. 25, 2023**

(54) **PROJECTILE LOADER**

FOREIGN PATENT DOCUMENTS

(71) Applicant: **KORE OUTDOOR (US), INC.**, Fort Wayne, IN (US)

CA 2625799 1/2011  
DE 876370 5/1953

(Continued)

(72) Inventor: **Mark Roland Pearce**, Lindenwold, NJ (US)

OTHER PUBLICATIONS

(73) Assignee: **KORE OUTDOOR (US), INC.**, Fort Wayne, IN (US)

Warpig—World And Regional Paintball Information Guide, <http://www.warpig.com/paintball/technical/loaders/halo/index.shtml>, warpig.com, Odyssey Readies Halo for Production, By Bill Mills, Jun. 2001, pp. 1 to 6.

(Continued)

(\*\*) Term: **15 Years**

(21) Appl. No.: **29/848,686**

(22) Filed: **Aug. 4, 2022**

*Primary Examiner* — Mehri F Bajoul

(74) *Attorney, Agent, or Firm* — Volpe Koenig

(57)

**CLAIM**

The ornamental design for a projectile loader, as shown and described.

**Related U.S. Application Data**

(62) Division of application No. 29/718,908, filed on Dec. 30, 2019, now Pat. No. Des. 961,002.

**DESCRIPTION**

(51) **LOC (14) Cl.** ..... **21-01**

(52) **U.S. Cl.**

USPC ..... **D21/461**; D21/573

(58) **Field of Classification Search**

USPC ..... D21/461, 567, 570, 571, 572, 573, 274, D21/575; D22/100, 101, 103, 104, 108, D22/109

CPC ..... F41B 11/52; F41B 11/70; F41B 11/50; F41B 11/53; F41B 11/57

See application file for complete search history.

FIG. 1 is a rear perspective view of a projectile loader in accordance with my new design;

FIG. 2 is a front perspective view of the projectile loader as shown in FIG. 1;

FIG. 3 is top view of the projectile loader as shown in FIG. 1;

FIG. 4 is a bottom view of the projectile loader as shown in FIG. 1;

FIG. 5 is a right side view to the projectile loader shown in FIG. 1;

FIG. 6 is a left side view of the projectile loader shown in FIG. 1;

FIG. 7 is a front view of the projectile loader shown in FIG. 1;

FIG. 8 is a rear view of the projectile loader shown in FIG. 1.

The broken lines shown in the drawings depict portions of the projectile loader that form no part of the claimed design.

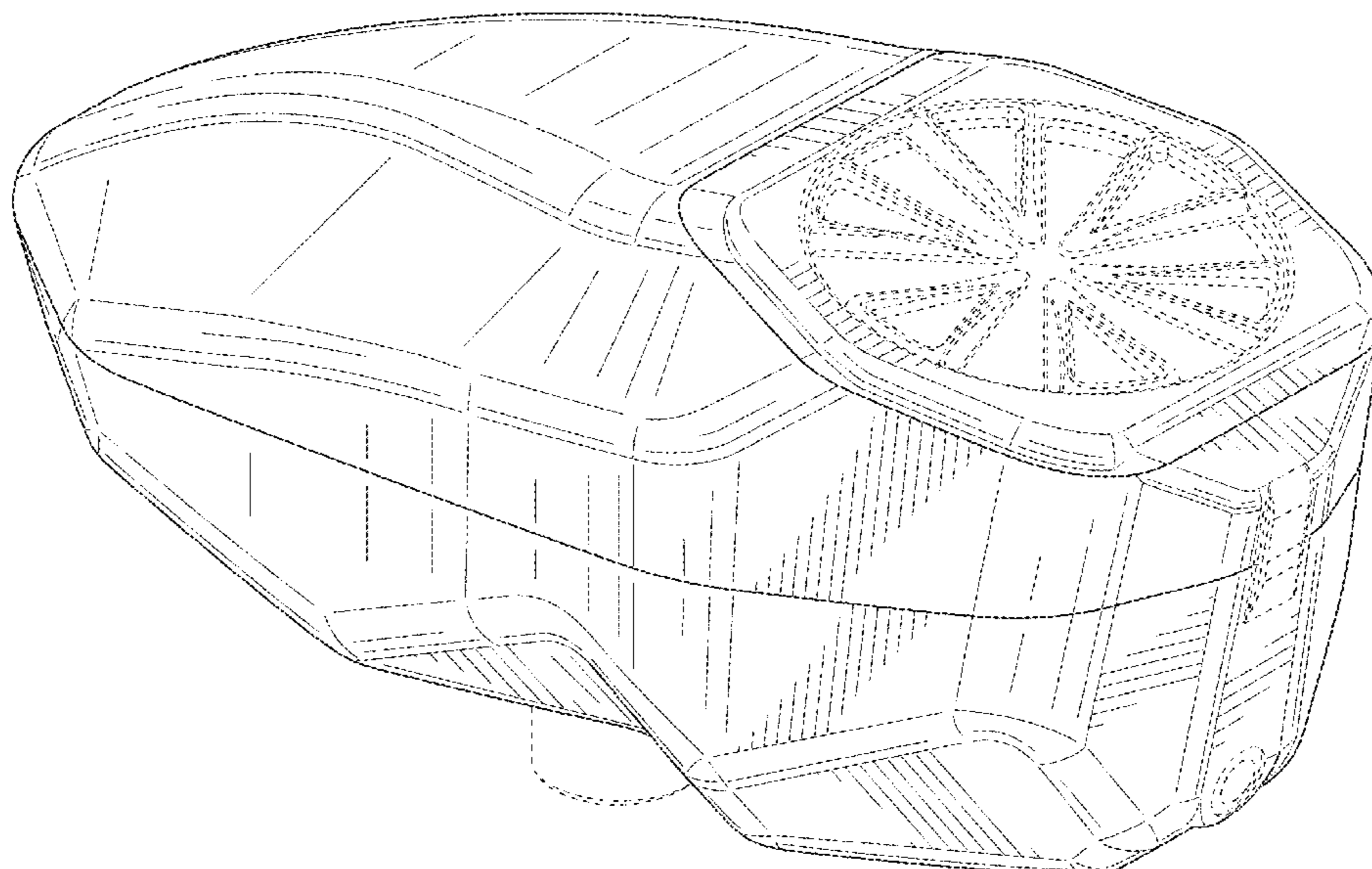
(56) **References Cited**

U.S. PATENT DOCUMENTS

D459,767 S \* 7/2002 Rushton ..... D21/573  
D544,047 S \* 6/2007 Bell ..... D21/573  
D572,318 S \* 7/2008 Broersma ..... D21/573  
D584,776 S \* 1/2009 Stevens ..... D21/573  
D597,152 S \* 7/2009 Kaakkola ..... D21/573

(Continued)

**1 Claim, 8 Drawing Sheets**



(56)

References Cited

U.S. PATENT DOCUMENTS

7,591,260 B1 \* 9/2009 Mu ..... F41B 11/57  
124/51.1  
D602,537 S \* 10/2009 Stevens ..... D21/573  
D631,516 S \* 1/2011 Kaakkola ..... D21/570  
8,312,871 B1 \* 11/2012 Kulp ..... F41B 11/53  
366/279  
8,402,959 B1 \* 3/2013 Nungester ..... F41B 11/53  
124/51.1  
D708,681 S \* 7/2014 Italia ..... D21/573  
D728,698 S \* 5/2015 Evans ..... D21/573  
D730,998 S 6/2015 Evans  
9,109,853 B2 \* 8/2015 Higgins ..... F41A 19/69  
9,163,899 B2 \* 10/2015 Evans ..... F41B 11/52  
9,557,136 B2 \* 1/2017 Hedberg ..... F41B 11/53  
D790,635 S 6/2017 Horikoshi  
D816,781 S 5/2018 Horikoshi  
D825,677 S 8/2018 Kitamura  
10,876,810 B1 \* 12/2020 Pineda ..... F41A 9/82  
D908,176 S 1/2021 Schultheis  
D961,002 S \* 8/2022 Pearce ..... D21/573  
2001/0029937 A1 10/2001 Hatcher  
2001/0039945 A1 11/2001 Rushton et al.  
2002/0014230 A1 2/2002 Christopher et al.  
2002/0020402 A1 2/2002 Kotsiopoulos  
2002/0059927 A1 5/2002 Woods, Sr.  
2002/0059928 A1 5/2002 Ferrara et al.  
2002/0092513 A1 7/2002 Christopher et al.  
2002/0112713 A1 8/2002 Backeris et al.  
2002/0117159 A1 8/2002 Kotsiopoulos et al.  
2002/0170552 A1 11/2002 Gardner, Jr.  
2002/0175465 A1 11/2002 Halliburton et al.  
2003/0005918 A1 1/2003 Jones  
2003/0010330 A1 1/2003 Jong  
2003/0024520 A1 2/2003 Dobbins  
2003/0047173 A1 3/2003 Juan  
2003/0047174 A1 3/2003 Tiberius et al.  
2003/0079731 A1 5/2003 Dobbins  
2003/0121927 A1 7/2003 Rice et al.  
2003/0127084 A1 7/2003 Tippmann, Jr.  
2003/0127085 A1 7/2003 Brunette et al.  
2003/0131835 A1 7/2003 Rice et al.  
2003/0168052 A1 9/2003 Masse  
2003/0168053 A1 9/2003 Farrell  
2003/0188730 A1 10/2003 Maeda et al.  
2004/0000300 A1 1/2004 Ho  
2004/0074487 A1 4/2004 Christopher et al.  
2004/0074489 A1 4/2004 Neumaster et al.  
2004/0112356 A1 6/2004 Hatcher  
2004/0134475 A1 7/2004 Jong  
2004/0194772 A1 10/2004 Hamilton  
2004/0211402 A1 10/2004 Christopher et al.  
2004/0216728 A1 11/2004 Jong  
2004/0245276 A1 12/2004 Hashimoto et al.  
2005/0028801 A1 2/2005 Lewis  
2005/0121015 A1 6/2005 Postorivo, Jr.  
2005/0166904 A1 8/2005 Friesen et al.  
2005/0188973 A1 9/2005 Monks  
2005/0188974 A1 9/2005 Pedicini et al.  
2005/0188978 A1 9/2005 Tiberius et al.  
2005/0217653 A1 10/2005 Christopher et al.  
2005/0241628 A1 11/2005 Hatcher  
2005/0274370 A1 12/2005 Lubben  
2005/0274371 A1 12/2005 Lubben  
2005/0284456 A1 12/2005 Chipley  
2005/0284457 A1 12/2005 Hatcher  
2006/0005822 A1 1/2006 Quinn et al.  
2006/0005823 A1 1/2006 Quinn et al.  
2006/0032488 A1 2/2006 Telford  
2006/0037597 A1 2/2006 Wood  
2006/0042614 A1 3/2006 Broersma  
2006/0054151 A1 3/2006 Christopher  
2006/0081233 A1 4/2006 Andresen  
2006/0081234 A1 4/2006 Andresen  
2006/0086347 A1 4/2006 Hedberg  
2006/0124118 A1 6/2006 Dobbins

2006/0130821 A1 6/2006 Hamilton  
2006/0157040 A1 7/2006 Broersma et al.  
2006/0157041 A1 7/2006 Friesen  
2006/0196489 A1 9/2006 Campo  
2006/0249131 A1 11/2006 Broersma  
2006/0254572 A1 11/2006 Hall  
2007/0012303 A1 1/2007 Christopher et al.  
2007/0012304 A1 1/2007 van Dorsser et al.  
2007/0017494 A1 1/2007 Andresen  
2007/0017495 A1 1/2007 Andresen  
2007/0023025 A1 2/2007 Neumaster et al.  
2007/0056573 A1 3/2007 Campo  
2007/0062506 A1 3/2007 Bell  
2007/0101981 A1 5/2007 Chen  
2007/0113834 A1 5/2007 Spicer  
2007/0137631 A1 6/2007 Christopher  
2007/0175463 A1 8/2007 Higgins et al.  
2007/0181117 A1 8/2007 Tippmann, Jr. et al.  
2007/0215137 A1 9/2007 Jones et al.  
2007/0246479 A1 10/2007 Andresen  
2007/0256676 A1 11/2007 Orvis et al.  
2008/0017178 A1 1/2008 Marques et al.  
2008/0047535 A1 2/2008 Handel  
2008/0047536 A1 2/2008 Chen  
2008/0047537 A1 2/2008 Kulp et al.  
2008/0053422 A1 3/2008 Estrate  
2008/0087264 A1 4/2008 Postorivo  
2008/0141990 A1 6/2008 Andresen  
2008/0178859 A1 7/2008 Moore et al.  
2008/0216805 A1 9/2008 Christopher et al.  
2008/0257327 A1 10/2008 Monks  
2008/0295818 A1 12/2008 Styles et al.  
2009/0000608 A1 1/2009 Christopher et al.  
2009/0025700 A1 1/2009 Andersen  
2009/0056691 A1 3/2009 Christopher et al.  
2009/0133680 A1 5/2009 Christopher et al.  
2009/0173330 A1 \* 7/2009 Akins ..... F41B 11/52  
124/1  
2009/0178659 A1 7/2009 Spicer  
2009/0194088 A1 8/2009 Tippmann, Jr. et al.  
2009/0241929 A1 10/2009 Italia et al.  
2010/0095942 A1 \* 4/2010 Kaakkola ..... F41B 11/53  
124/48  
2010/0083654 A1 5/2010 Neumaster  
2010/0258101 A1 10/2010 Campo et al.  
2011/0067681 A1 3/2011 Stevens et al.  
2011/0083654 A1 4/2011 Galinson  
2011/0186025 A1 8/2011 Spicer et al.  
2011/0220086 A1 9/2011 Bosch et al.  
2011/0290226 A1 \* 12/2011 Kaakkola ..... F41B 11/52  
124/49  
2012/0042862 A1 2/2012 Christopher et al.  
2012/0125303 A1 5/2012 Christopher et al.  
2012/0227722 A1 9/2012 Bell  
2012/0227723 A1 \* 9/2012 Higgins ..... F41A 19/01  
124/45  
2012/0272940 A1 11/2012 Christopher et al.  
2013/0220293 A1 \* 8/2013 Kaakkola ..... F41B 11/53  
124/51.1  
2014/0041646 A1 \* 2/2014 Middlebrook ..... F41B 11/53  
124/51.1  
2014/0174422 A1 \* 6/2014 Evans ..... F41B 11/70  
124/80  
2014/0209082 A1 7/2014 Stevens  
2016/0298924 A1 \* 10/2016 Yuen ..... F41B 11/53  
2017/0082391 A1 \* 3/2017 Italia ..... F41B 11/53  
2017/0307326 A1 \* 10/2017 Italia ..... F41B 11/52  
2020/0370861 A1 11/2020 Wood  
2021/0156641 A1 \* 5/2021 Pearce ..... F41B 11/53

FOREIGN PATENT DOCUMENTS

DE 2035097 1/1972  
DE 3721527 1/1989  
DE 4343870 6/1994  
DE 4343871 6/1995  
DE 19922589 12/2000  
EP 0075970 4/1983

(56)

**References Cited**

FOREIGN PATENT DOCUMENTS

EP	1054228	11/2000
EP	1653189	5/2006
FR	921527	5/1947
GB	470201	8/1937
GB	551077	2/1943
GB	2056635	3/1981
GB	2322438	8/1998
JP	1179898	7/1989
JP	6-325233	11/1994
TW	M255391	1/2005
WO	98/13660	4/1998
WO	00/26000	3/2000
WO	01/44745	6/2001
WO	02/42708	5/2002
WO	03/087698	10/2003
WO	07/033309	3/2007
WO	07/035601	3/2007
WO	07/044546	4/2007
WO	07/044822	4/2007
WO	07/098554	9/2007
WO	08/104061	4/2008
WO	09/009748	1/2009
WO	09/015393	1/2009

OTHER PUBLICATIONS

Warpig—World And Regional Paintball Information Guide, <http://www.warpig.com/paintball/technical/loaders/halo/review.shtml>, warpig.com, Odyssey Halo By Bill Mills, Dec. 2001, pp. 1 to 7.

Odyssey Halo B Paintball Hopper Review, <http://www.paintball-gun-review.com/hopper-reviews/odyssey-halo-b> . . . , Paintball Gun Review, Odyssey Halo B Paintball Hopper Review, 2004 Paintball-Gun-Review.com, pp. 1 to 3.

[www.ODYSSEYPAINBALL.com](http://www.ODYSSEYPAINBALL.com), <http://web.archive.org/web/20030205112543/http://www.odysseypain> . . . , Odyssey Paintball Products, Understanding Halo B, pp. 1 to 3.

Warpig—World And Regional Paintball Information Guide, <http://www.warpig.com/paintball/technical/loaders/evlution/evlution> . . . eVLution 2 Sneak Preview, by Bill Mills, Aug. 2001, p. 1 to 4.

Warpig—World And Regional Paintball Information Guide, <http://www.warpig.com/paintball/technical/loaders/evlution/index.shtml> Brass Eagle's eVLution Loader, by Bill Mills, Aug. 2000, pp. 1 to 7.

Warpig—World And Regional Paintball Information Guide, <http://www.warpig.com/paintball/technical/labs/revytimes/index.shtml> Warpig Ballistic Labs Report: Revolution Response Times, by Bill Mills, copyright 1992-2010, pp. 1 to 4.

Warpig—World and Regional Paintball Information Guide <http://www.warpig.com/paintball/technical/loaders/lineup> Warpig Ballistic Labs Loader Speed Comparison, by Bill Mills, Sep. 2001, 8 pages.

FT-12 Owner's Manual, Ver. 05/12, Manufactured by Tippmann (24 pages).

V-Max+ Paintball Loader Owners Manual, Ver. 4, Manufactured by Valken Incorporated (5 pages).

Level High Performance Loader System User Manual, Manufactured by G.I. Sportz (52 pages).

\* cited by examiner

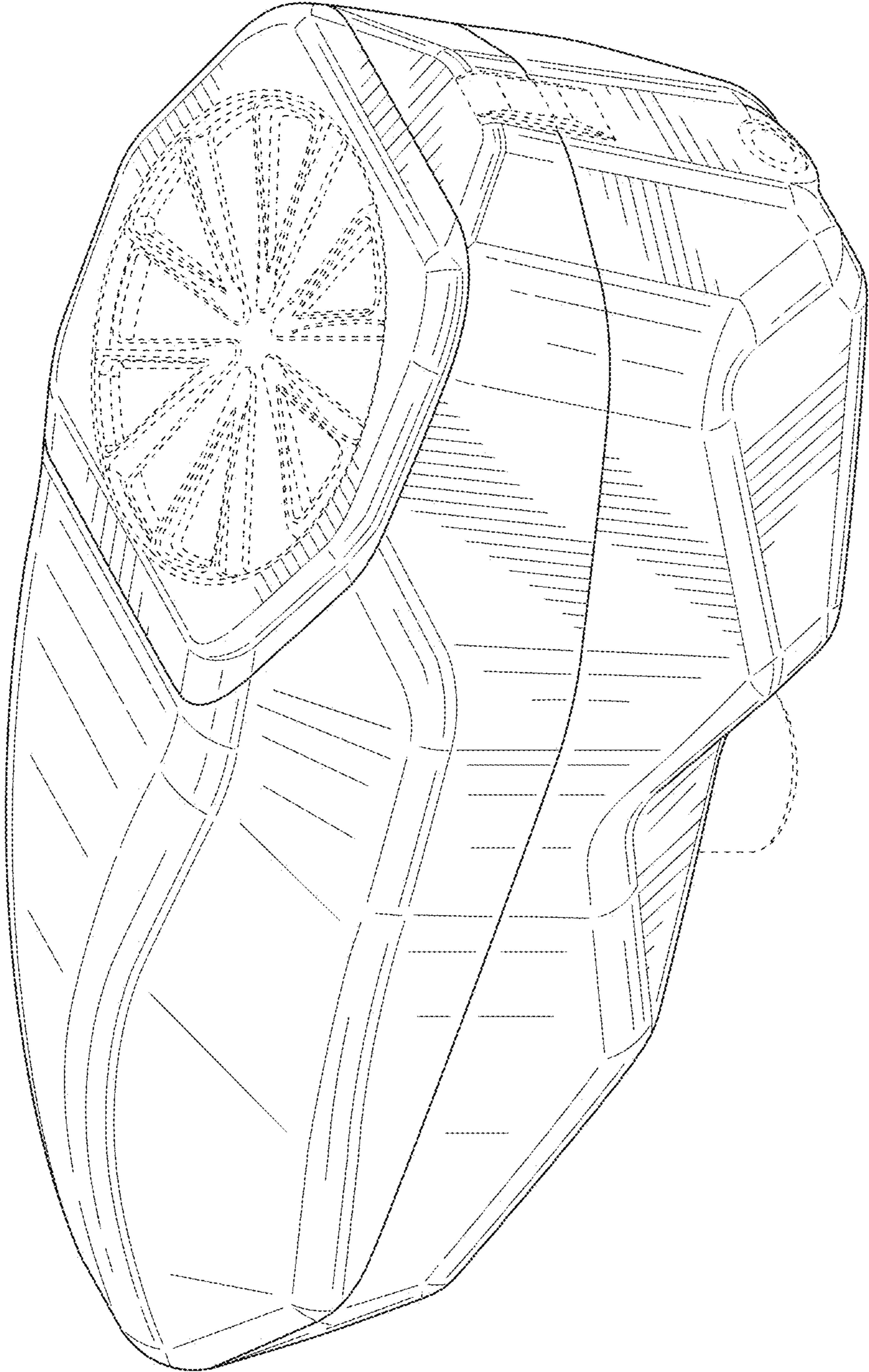


FIG. 1

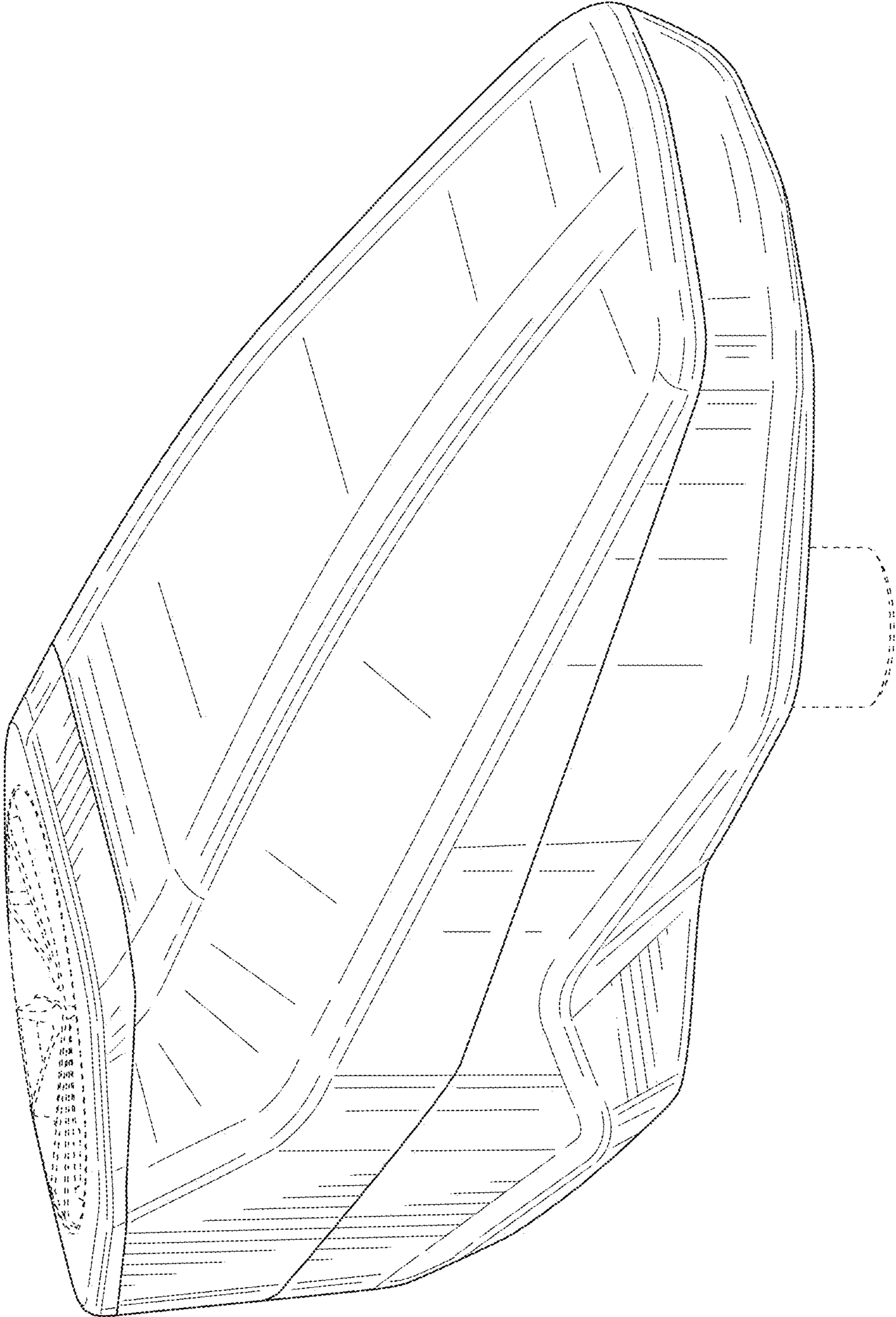


FIG. 2

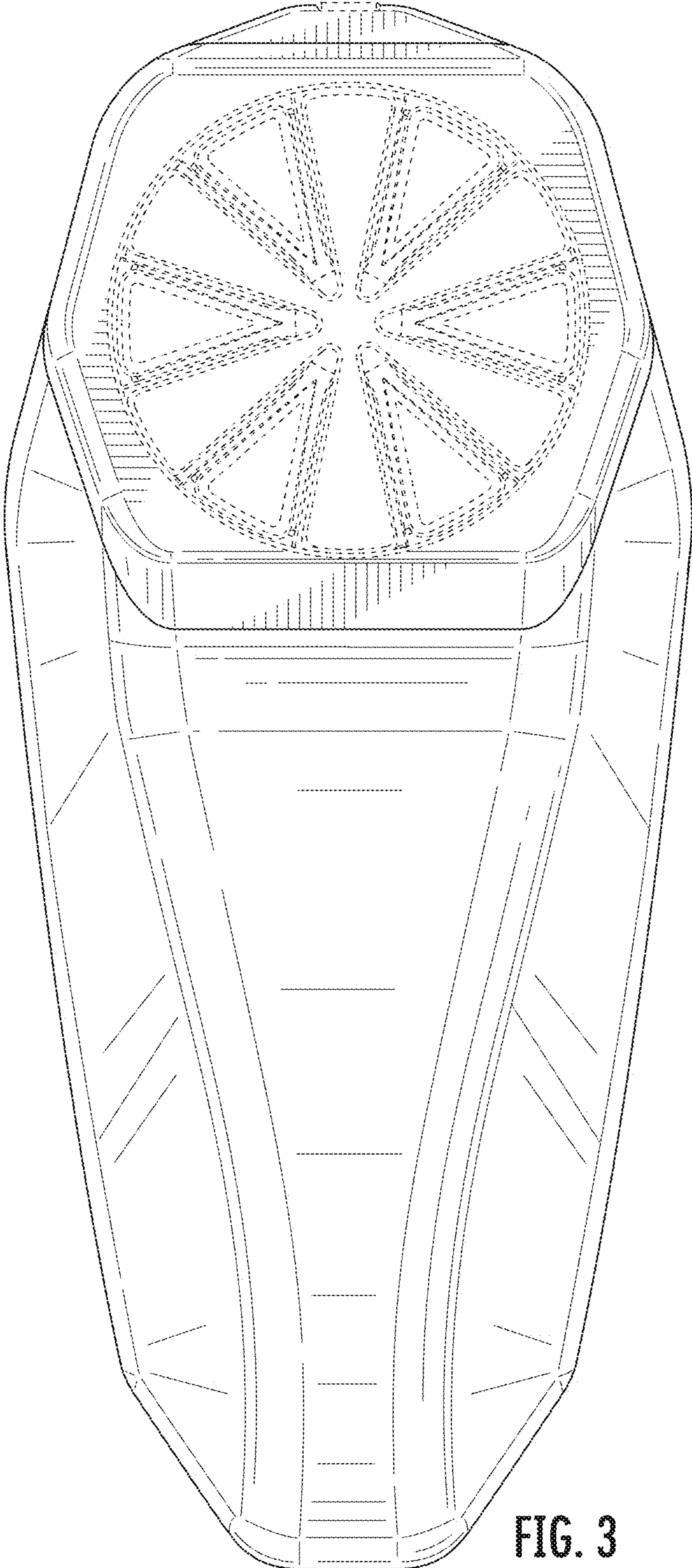


FIG. 3

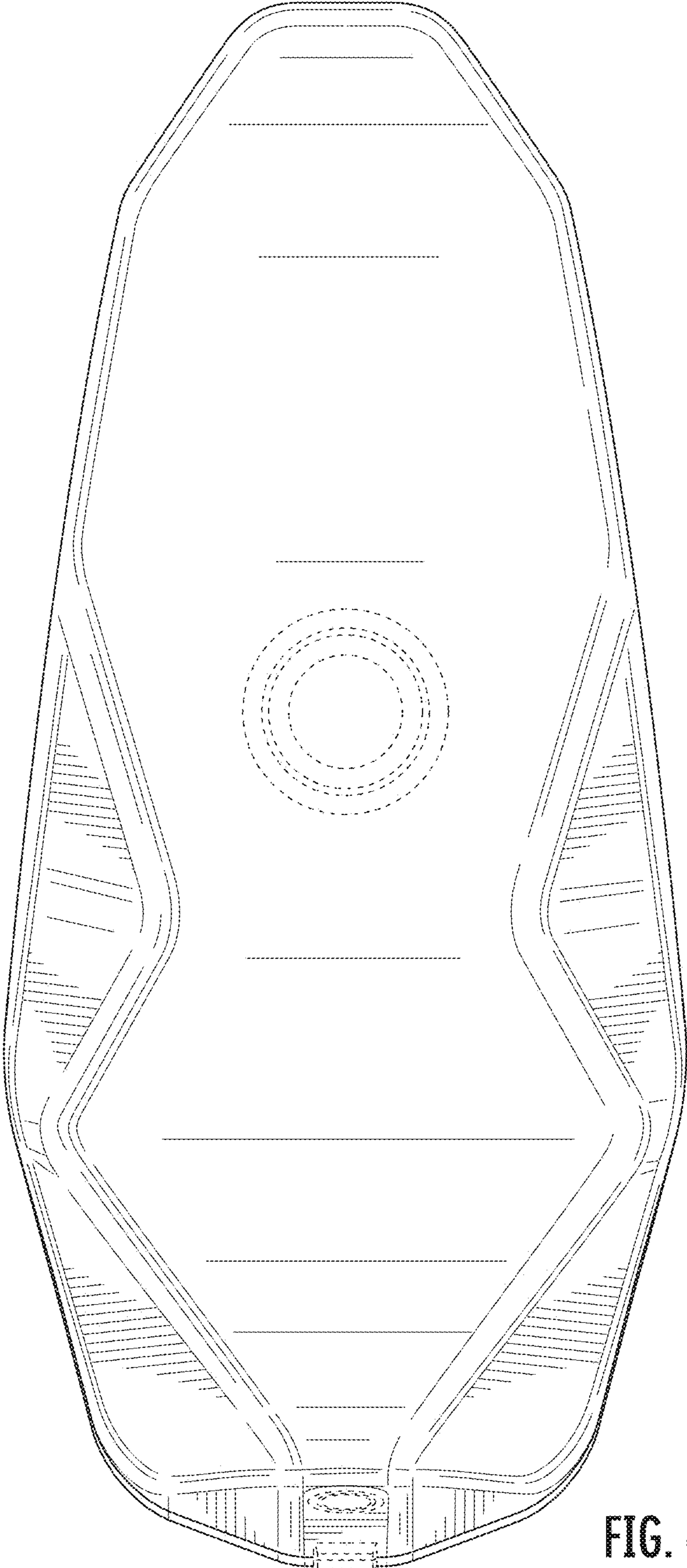


FIG. 4

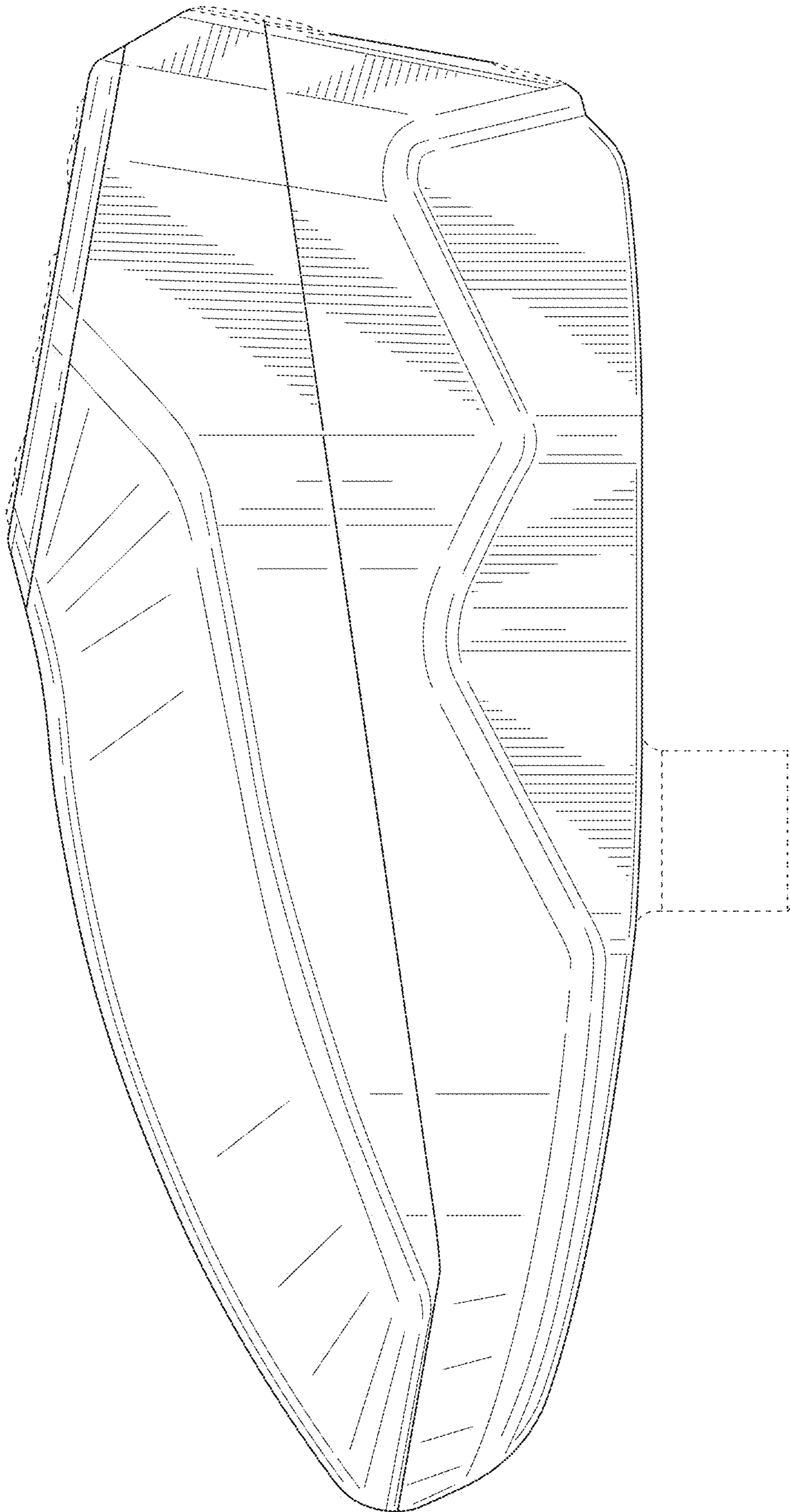


FIG. 5



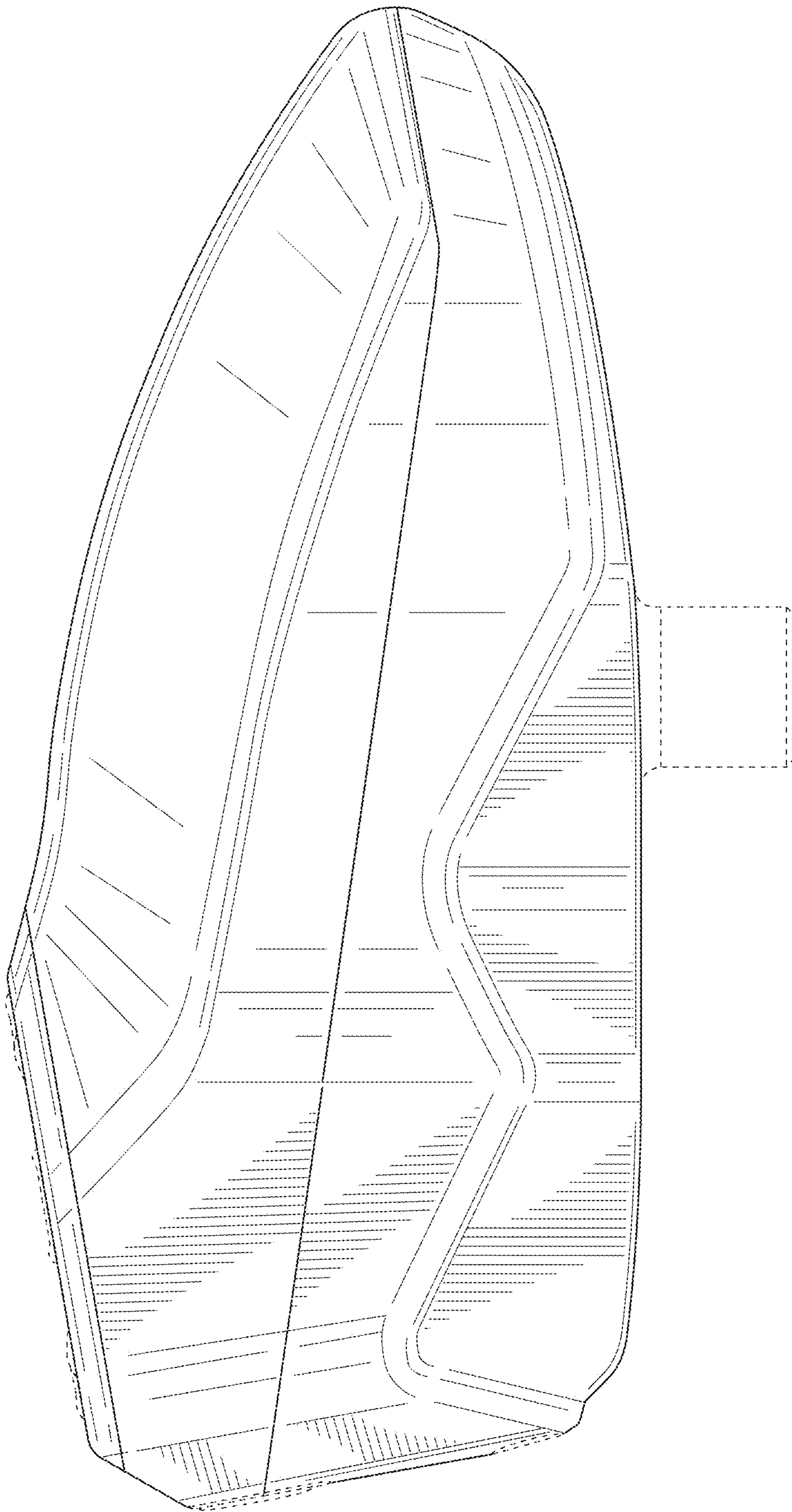


FIG. 6

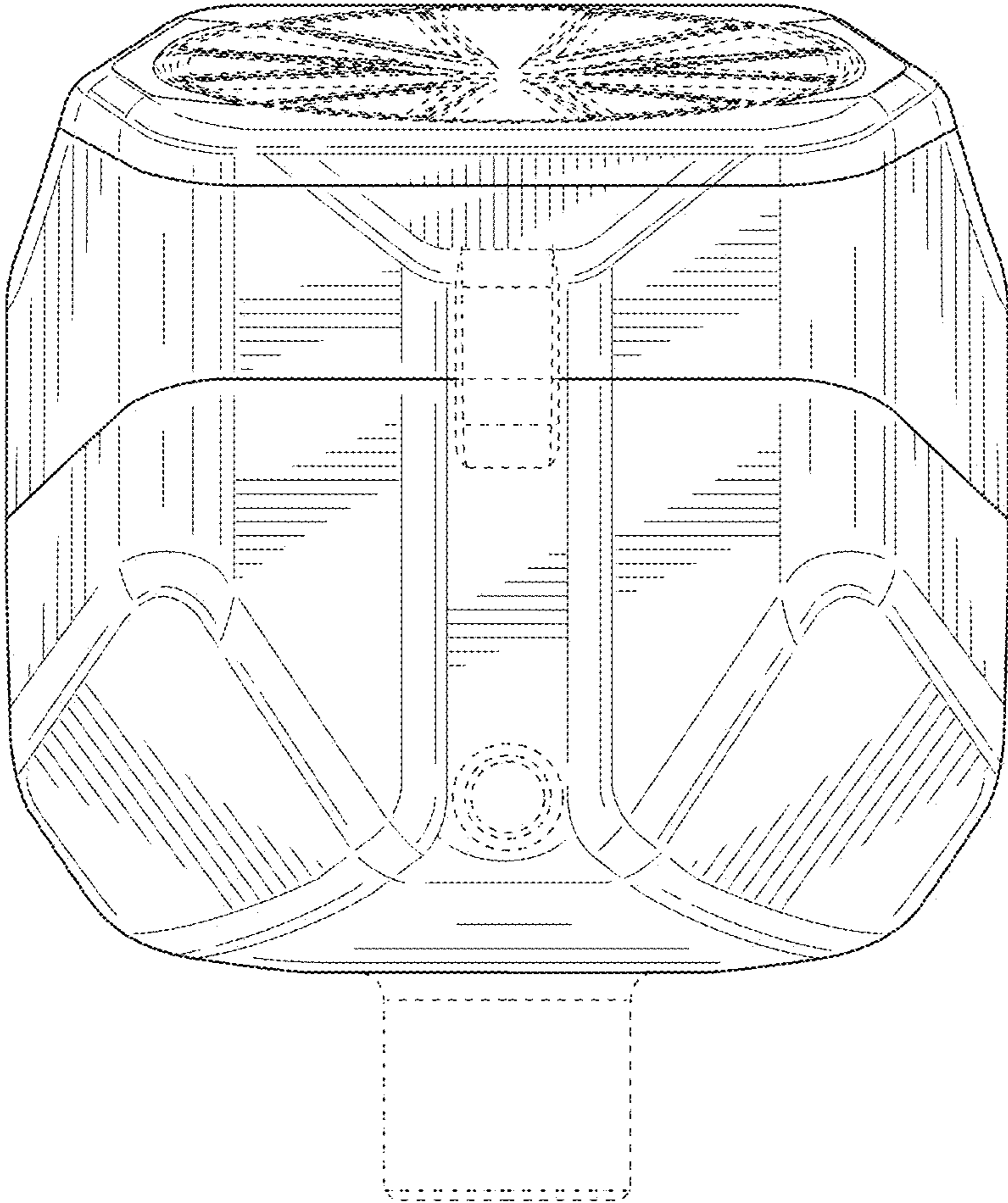


FIG. 7

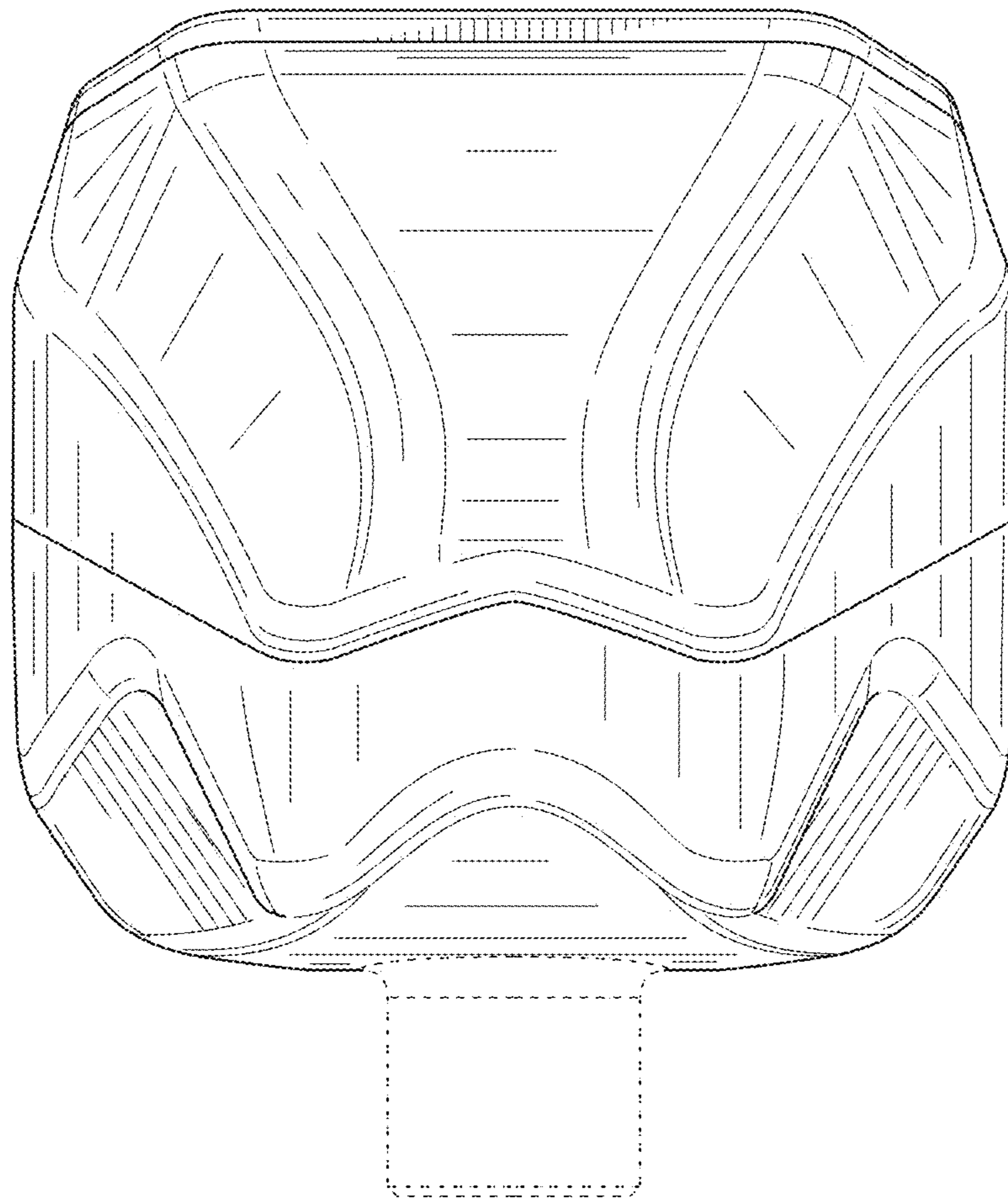


FIG. 8