



US00D984547S

(12) **United States Design Patent**
Fujino et al.

(10) **Patent No.:** **US D984,547 S**
(45) **Date of Patent:** **** Apr. 25, 2023**

(54) **RUNNING TOY**

FOREIGN PATENT DOCUMENTS

(71) Applicant: **NINTENDO CO., LTD.**, Kyoto (JP)
(72) Inventors: **Takaki Fujino**, Kyoto (JP); **Yu Yamamoto**, Kyoto (JP); **Motoaki Fukuda**, Kyoto (JP)

CA	136863	*	9/2011
CN	304421576	*	12/2017
CN	304455761	*	1/2018
EM	008365977-0001	*	1/2021
JP	D1693204	*	8/2021

(73) Assignee: **Nintendo Co., Ltd.**, Kyoto (JP)

OTHER PUBLICATIONS

(**) Term: **15 Years**

Amazon Website, Mario Kart Live, Earliest Available Date: Sep. 3, 2020, [Website Visited Oct. 13, 2022], Available on the internet URL <https://www.amazon.com/Mario-Kart-Live-Circuit-Mario-Nintendo/dp/B08H9KGMWK?th=1> (Year: 2020).*

(21) Appl. No.: **29/764,035**

Amazon Website, Remote Control Car, Earliest Comment Date: Jun. 14, 2022, [Website Visited Oct. 13, 2022], Available on the internet URL <https://www.amazon.com/DIATONE-Q33-Remote-Control-Performance/dp/B09ZPFH32F/> (Year: 2022).*

(22) Filed: **Dec. 28, 2020**

(30) **Foreign Application Priority Data**

Aug. 24, 2020 (JP) 2020-017654

* cited by examiner

(51) **LOC (14) Cl.** **21-01**

Primary Examiner — S. Bryan Reinholdt, Jr.

(52) **U.S. Cl.**

Assistant Examiner — James T Tyree

USPC **D21/449**; D21/533

(74) *Attorney, Agent, or Firm* — Nixon & Vanderhye PC

(58) **Field of Classification Search**

USPC D21/449, 552, 549, 548, 533, 514, 453;
D12/345, 400; D15/5; D10/114.3, 114.9,
D10/121; D26/29; D16/220

CPC A63H 27/00; A63H 27/02; A63H 30/00;
A63H 17/00

See application file for complete search history.

(57) **CLAIM**

The ornamental design for a running toy, as shown and described.

DESCRIPTION

(56) **References Cited**

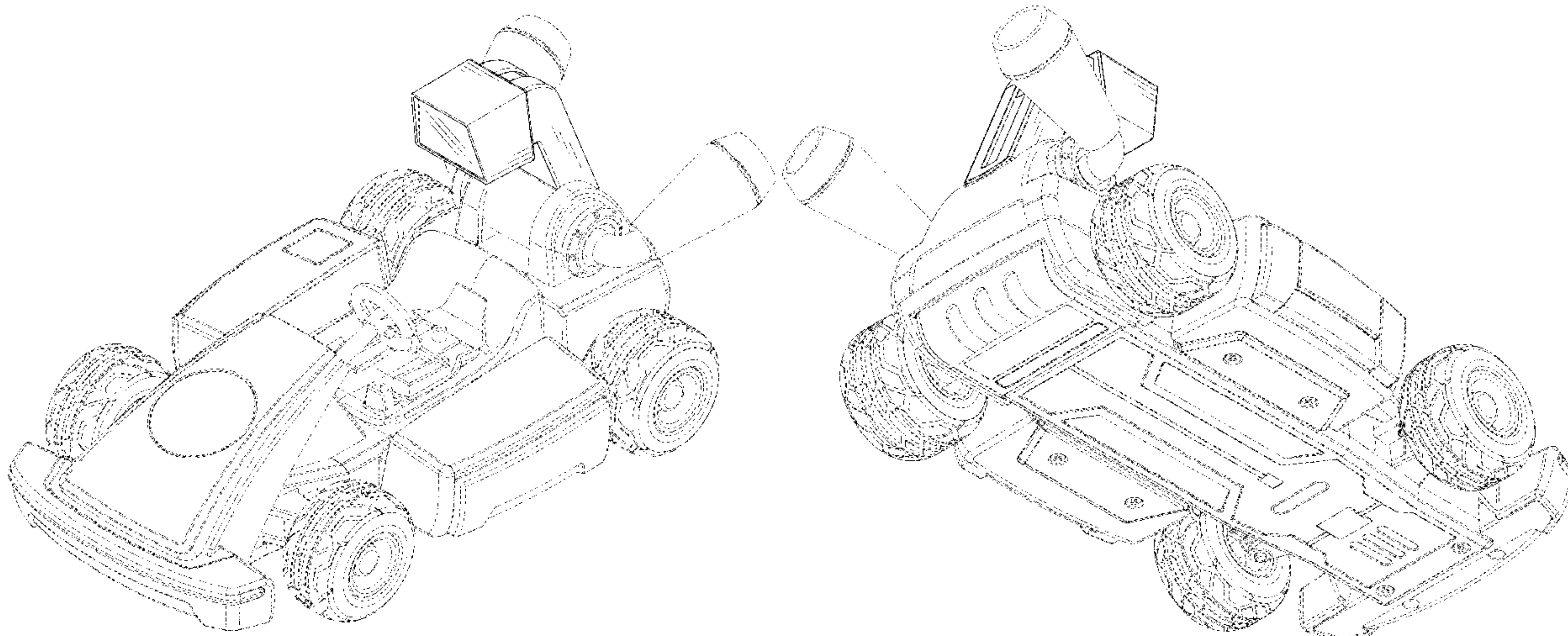
U.S. PATENT DOCUMENTS

D245,934	S	*	9/1977	Donaldson	D16/225
D430,588	S	*	9/2000	Goldberg	D16/225
D642,199	S	*	7/2011	Luxon	D12/400
D787,559	S	*	5/2017	Nezar	D15/5
D803,140	S	*	11/2017	Brown	D12/400
D851,508	S	*	6/2019	D'Eramo	D10/70
D887,473	S	*	6/2020	Park	D16/203
11,291,923	B2	*	4/2022	Hirose	H04N 7/18
2021/0291067	A1	*	9/2021	Hirose	A63H 17/26

FIG. 1 is a perspective view 1 of the running toy showing our new design;
FIG. 2 is a perspective view 2 thereof;
FIG. 3 is a front view thereof;
FIG. 4 is a back view thereof;
FIG. 5 is a top view thereof;
FIG. 6 is a bottom view thereof;
FIG. 7 is a right view thereof; and,
FIG. 8 is a left view thereof.

The broken lines shown in the figures illustrate unclaimed subject matter and form no part of the claimed design.

1 Claim, 8 Drawing Sheets



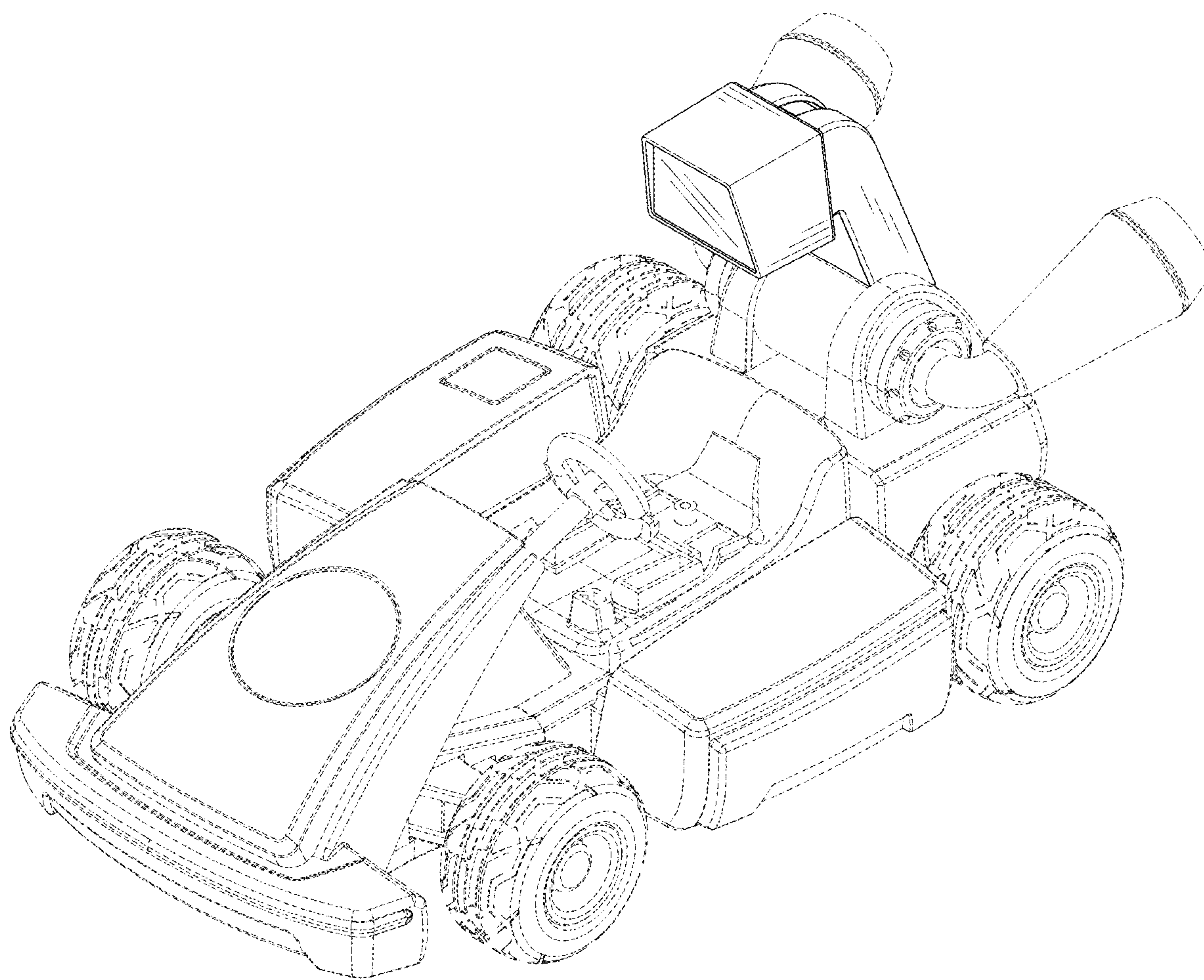


FIG. 1

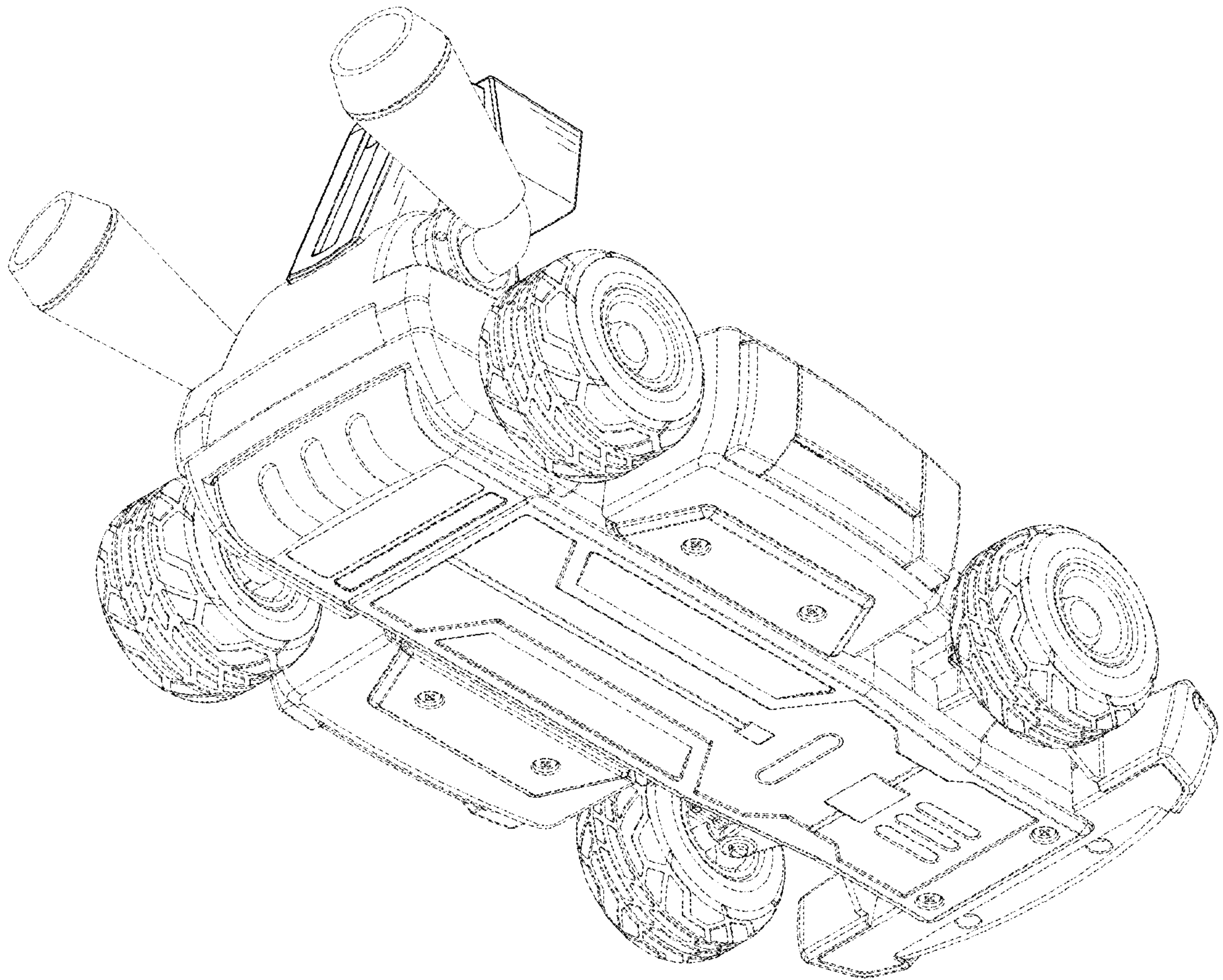


FIG. 2

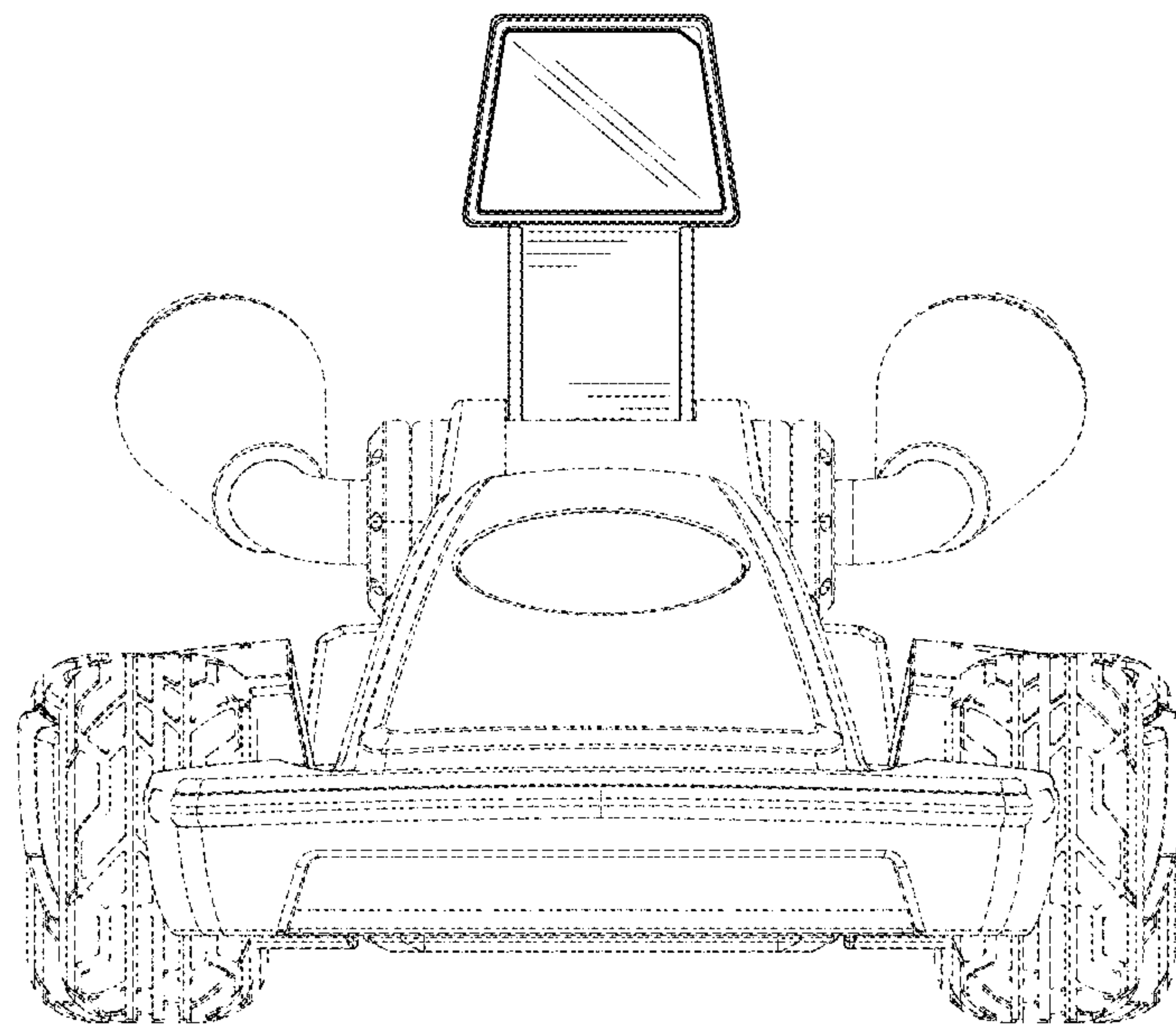


FIG. 3

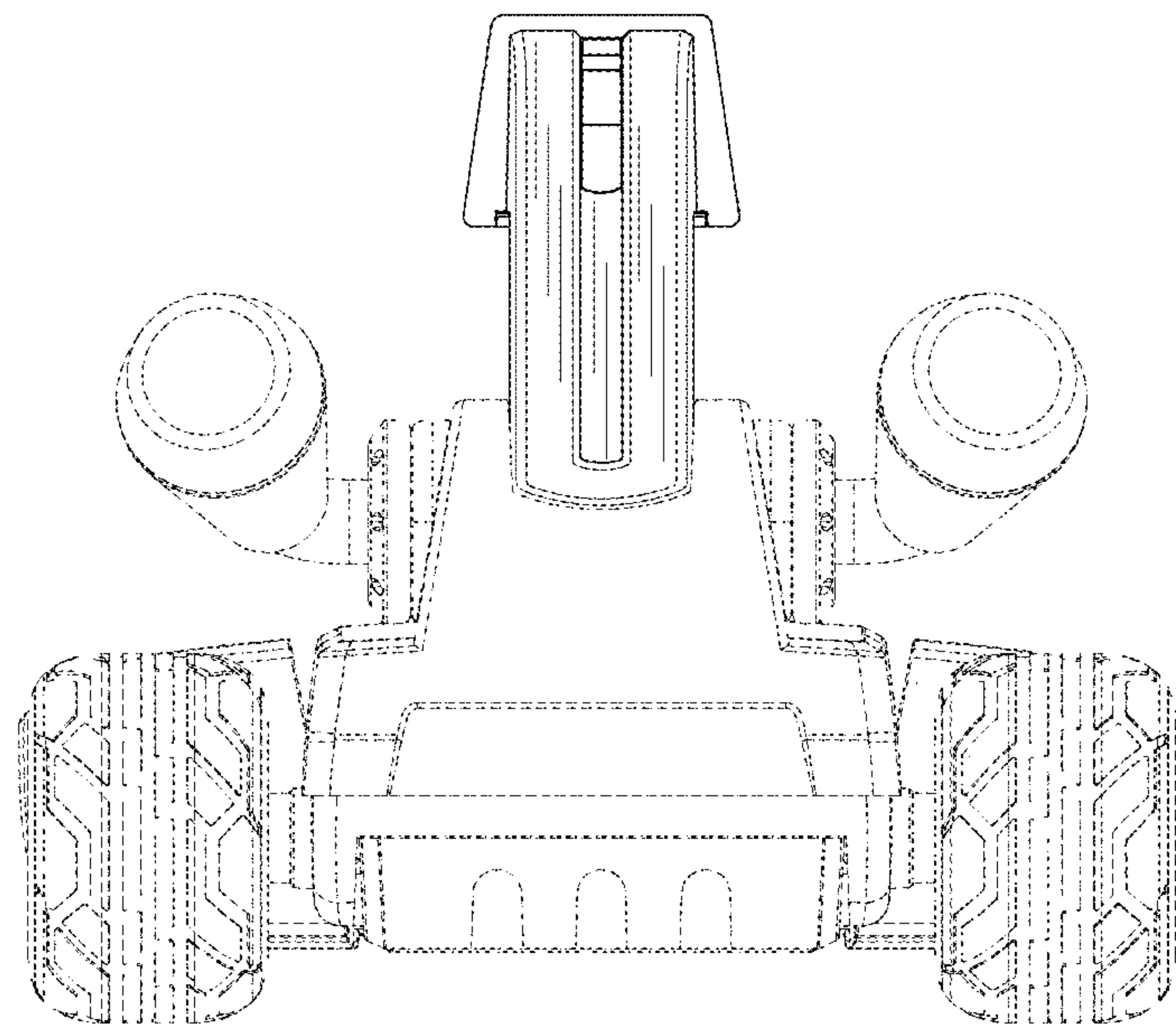


FIG. 4

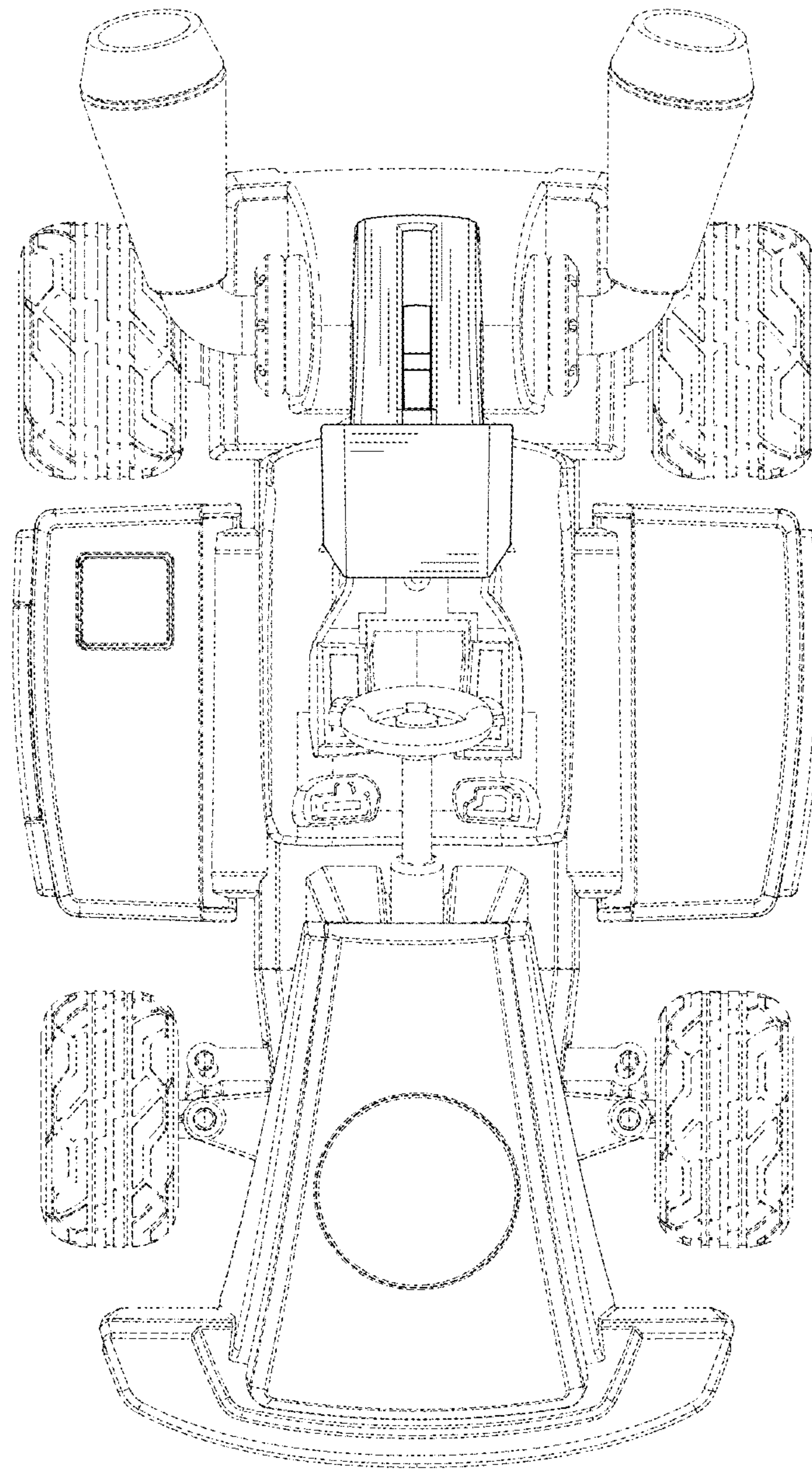


FIG. 5

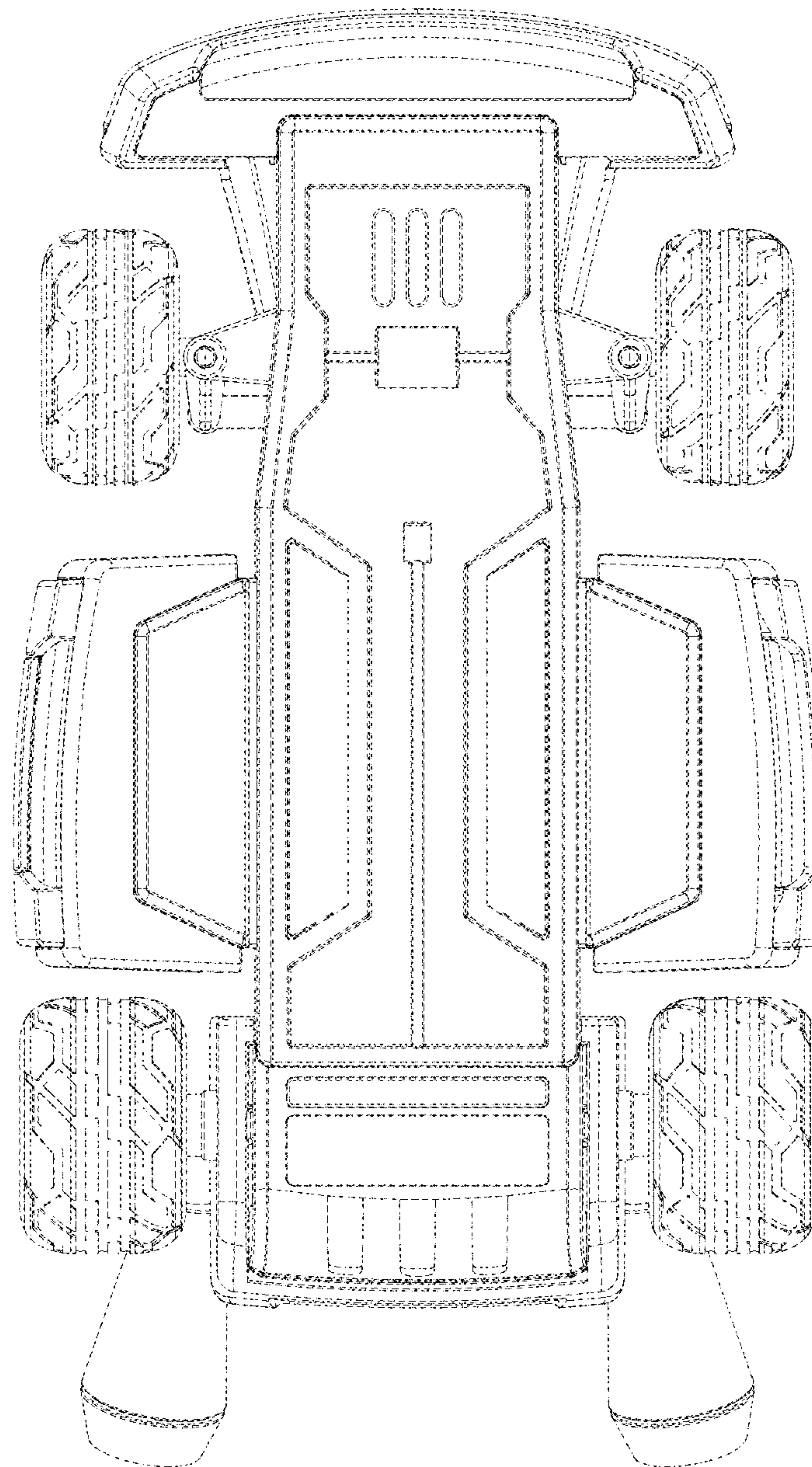


FIG. 6

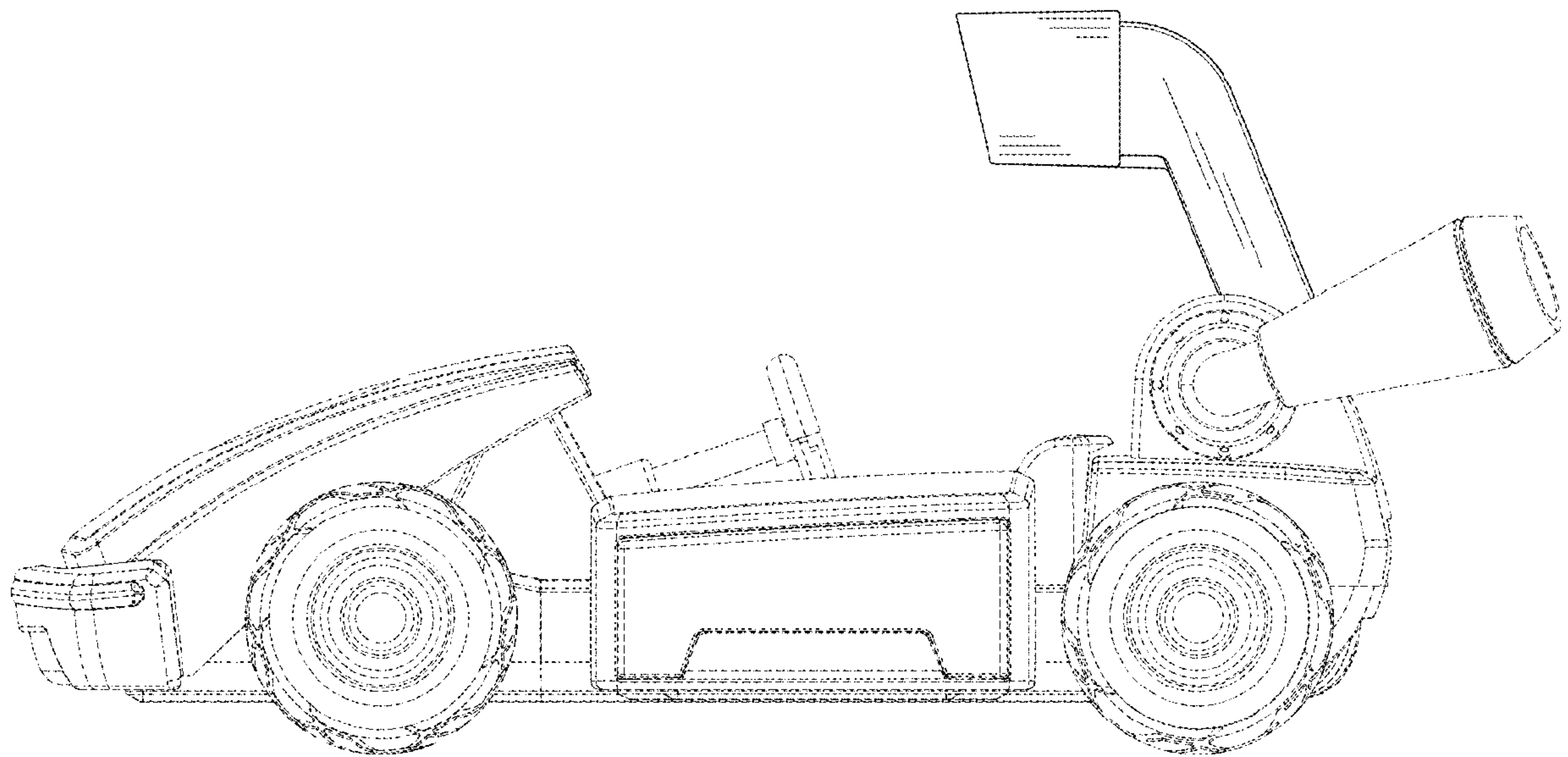


FIG. 7

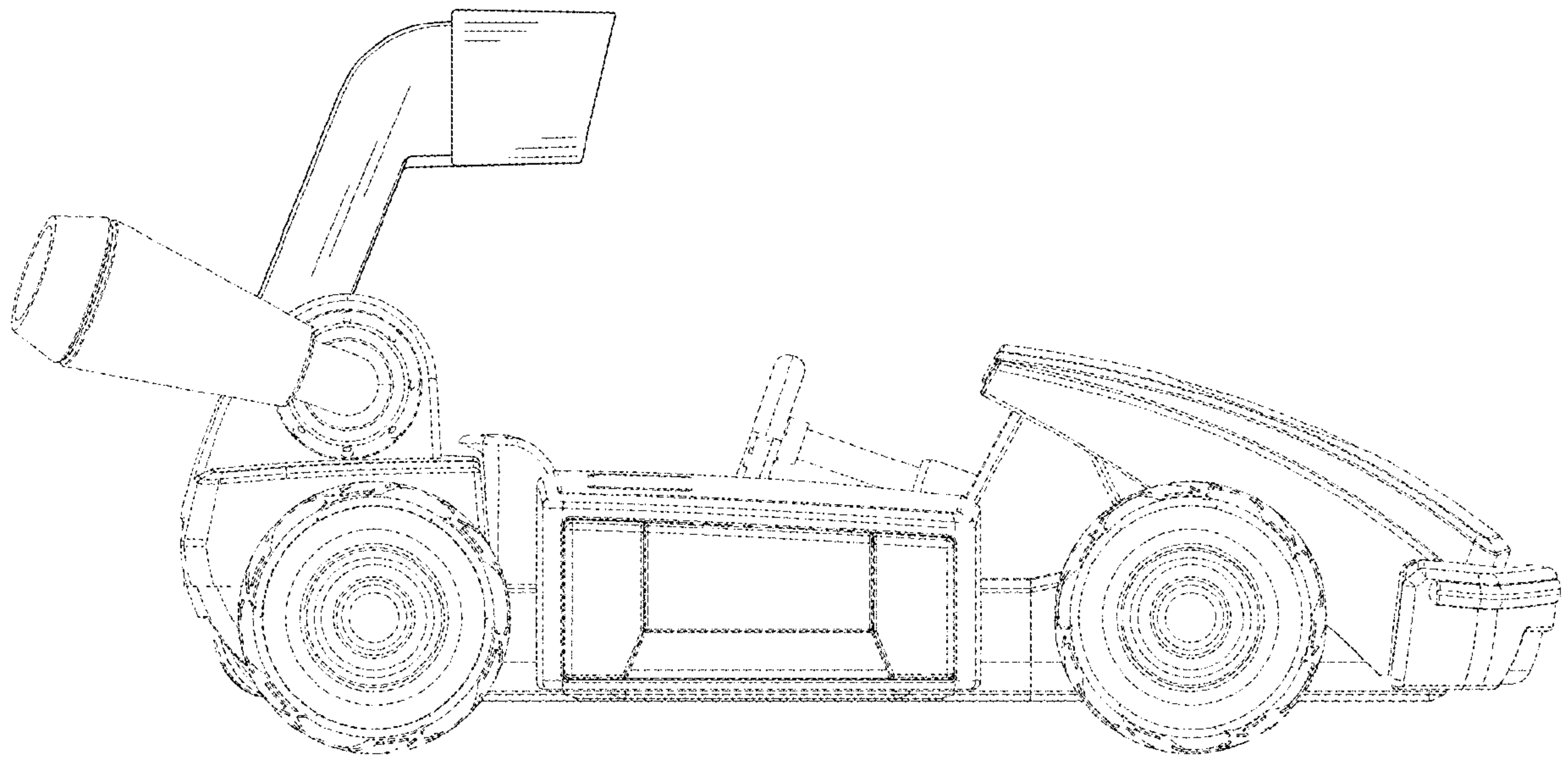


FIG. 8