



US00D984546S

(12) **United States Design Patent** (10) **Patent No.:** **US D984,546 S**
Cai (45) **Date of Patent:** **** Apr. 25, 2023**

(54) **FOOTBALL BUBBLE STICK**
(71) Applicant: **Shantou Jianhui Toys Industrial Co., Ltd, Shantou (CN)**

D727,433 S * 4/2015 Salvatore D21/405
D731,740 S * 6/2015 Beacham D99/37
D794,374 S * 8/2017 MacInnes D7/300.2
(Continued)

(72) Inventor: **Linhui Cai, Shantou (CN)**
(**) Term: **15 Years**

FOREIGN PATENT DOCUMENTS

CN 306513936 * 5/2021
CN 306956851 * 11/2021
(Continued)

(21) Appl. No.: **29/807,508**

OTHER PUBLICATIONS

(22) Filed: **Sep. 13, 2021**
(51) **LOC (14) Cl.** **21-01**
(52) **U.S. Cl.**
USPC **D21/402; D21/401**
(58) **Field of Classification Search**
USPC D21/401, 402, 414, 415
CPC A63H 33/28; A63H 23/10
See application file for complete search history.

The Glow Company Bubble Wand, posted May 15, 2019 [online], [retrieved Nov. 22, 2022]. Retrieved from internet (Date: Nov. 22, 2022), <https://www.amazon.co.uk/Glow-Company-Light-Flashing-Bubble/dp/B07RWDSM4X> (Year: 2019).*
(Continued)

Primary Examiner — Katherine A Holbrow
Assistant Examiner — Riya Salil Kamat

(56) **References Cited**

(57) **CLAIM**

The ornamental design for a football bubble stick, substantially as shown and described.

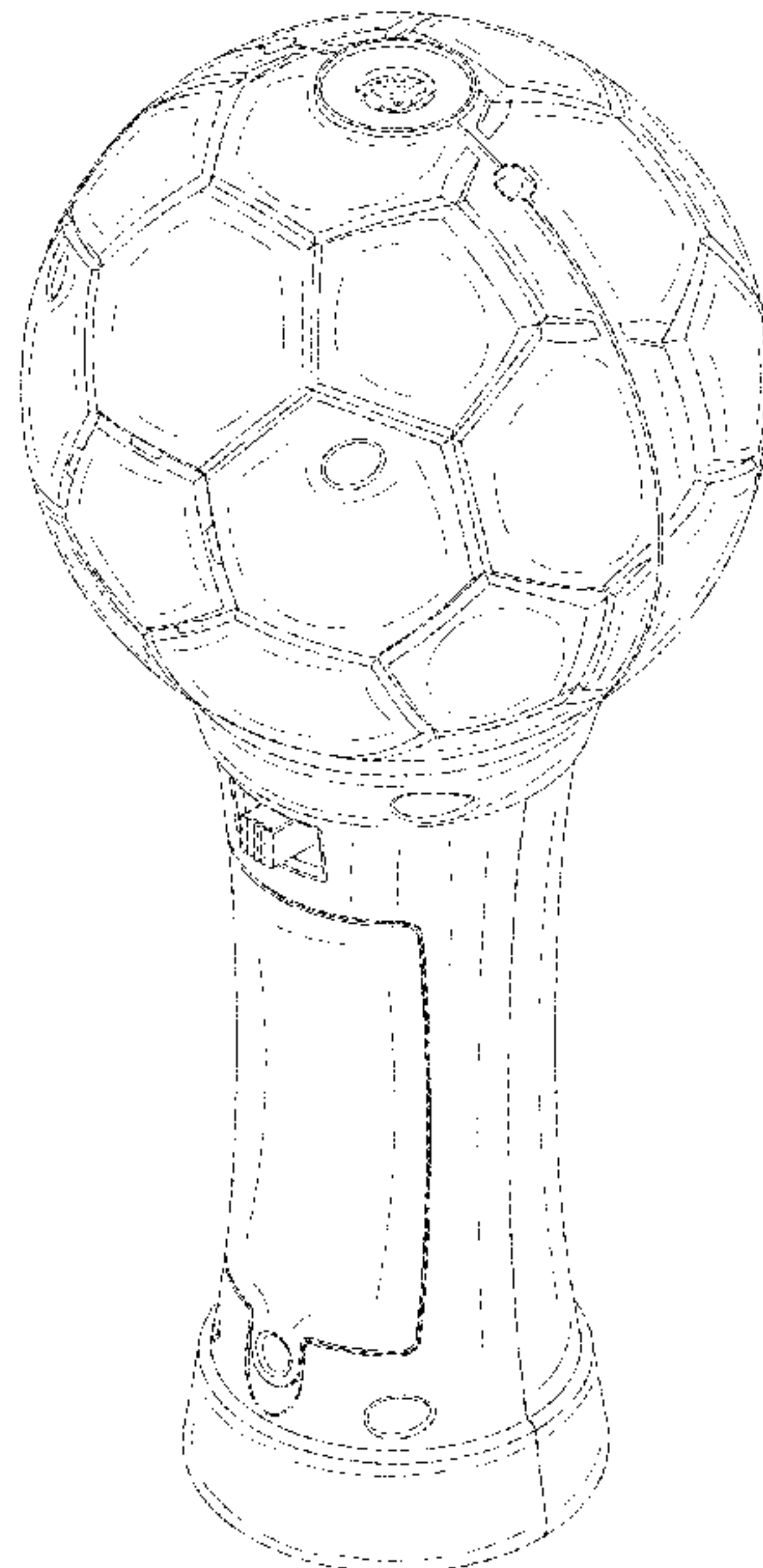
U.S. PATENT DOCUMENTS

DESCRIPTION

D346,309 S * 4/1994 Ocampo D7/901
D416,082 S * 11/1999 Bloom D23/379
D420,002 S * 2/2000 Arcos D14/189
D422,646 S * 4/2000 Palardis D21/406
D425,935 S * 5/2000 Schimmel D21/402
D431,600 S * 10/2000 Schimmel D21/402
D437,435 S * 2/2001 Spangler D26/47
D439,621 S * 3/2001 Podd D21/329
D459,749 S * 7/2002 Cohen D21/406
6,746,296 B1 * 6/2004 Lin A63H 33/28
446/16
D577,388 S * 9/2008 Lo D21/401
D581,834 S * 12/2008 Oakley D11/181
D583,878 S * 12/2008 Lo D21/402
D598,247 S * 8/2009 Frank D7/688
D600,289 S * 9/2009 Lo D21/401
D603,219 S * 11/2009 Lopez D7/901
D677,319 S * 3/2013 Lochen D17/22
D689,123 S * 9/2013 Lochen D17/10

FIG. 1 is a top, front and right side perspective view of a football bubble stick, showing my new design;
FIG. 2 is a front elevational view thereof;
FIG. 3 is a rear elevational view thereof;
FIG. 4 is a left side elevational view thereof;
FIG. 5 is a right side elevational view thereof;
FIG. 6 is a top plan view thereof; and,
FIG. 7 is a bottom plan view thereof.
The dominant feature of my design is the ability of blowing bubbles with the shape of football.
The broken lines in the drawings illustrate the portions of the football bubble stick, which form no part of the claimed design.

1 Claim, 7 Drawing Sheets



(56)

References Cited

U.S. PATENT DOCUMENTS

D803,947 S * 11/2017 Lo D21/599
D969,228 S * 11/2022 Chen D21/468
D969,229 S * 11/2022 Chen D21/468
2001/0034177 A1* 10/2001 Hunn A63H 5/00
446/73
2004/0094228 A1* 5/2004 Nadel A63H 33/28
141/98
2019/0111358 A1* 4/2019 Kelly A63H 33/28

FOREIGN PATENT DOCUMENTS

GB 6123548 * 3/2021
GB 6123549 * 3/2021

OTHER PUBLICATIONS

Shantou City, Bubble Stick, posted [online], retrieved Nov. 23, 2022]. Retrieved from internet (Date: Nov. 23, 2022), https://www.alibaba.com/product-detail/Kids-Outdoor-Toys-Watermelon-Shape-Bubble_1600503250004.html (Year: 2022).*

Madhatterpartybox, Soccer Bubble Favor, published Jul. 14, 2017 [online]. Retrieved from internet (Date: Jan. 18, 2023), <https://www.etsy.com/listing/272962468/soccer-favor-sports-party-favor-soccer?gpla=1&gao=1&> (Year: 2017).*

* cited by examiner

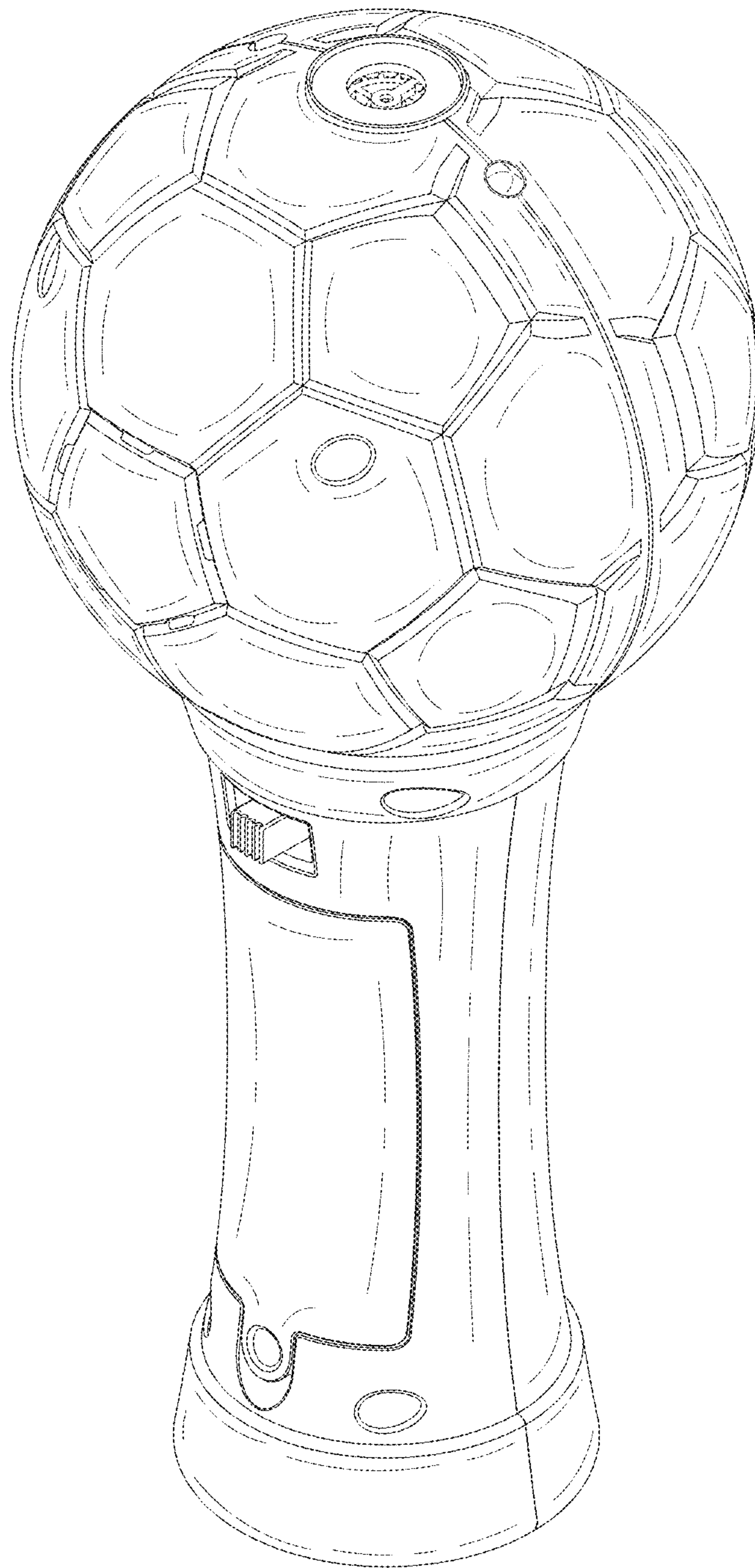


FIG. 1

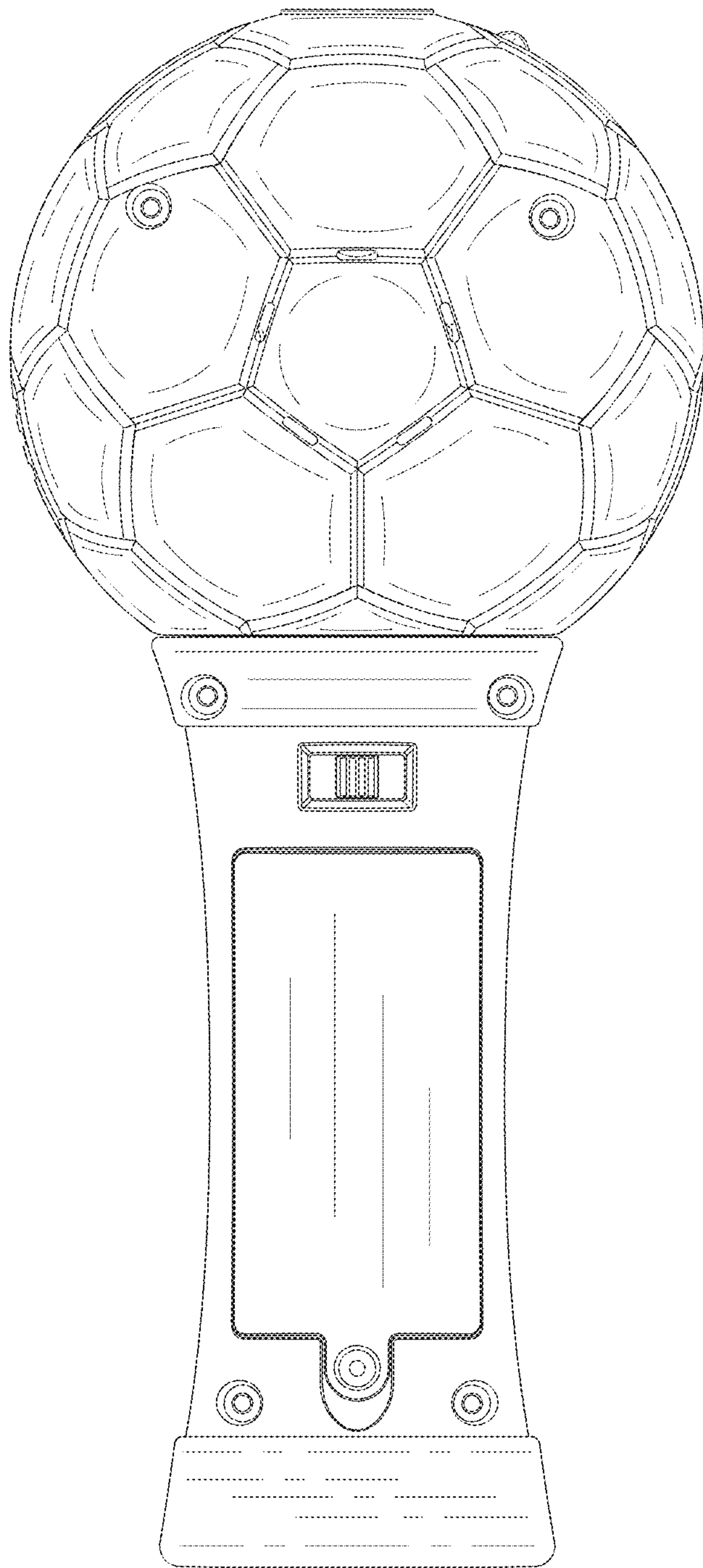


FIG. 2

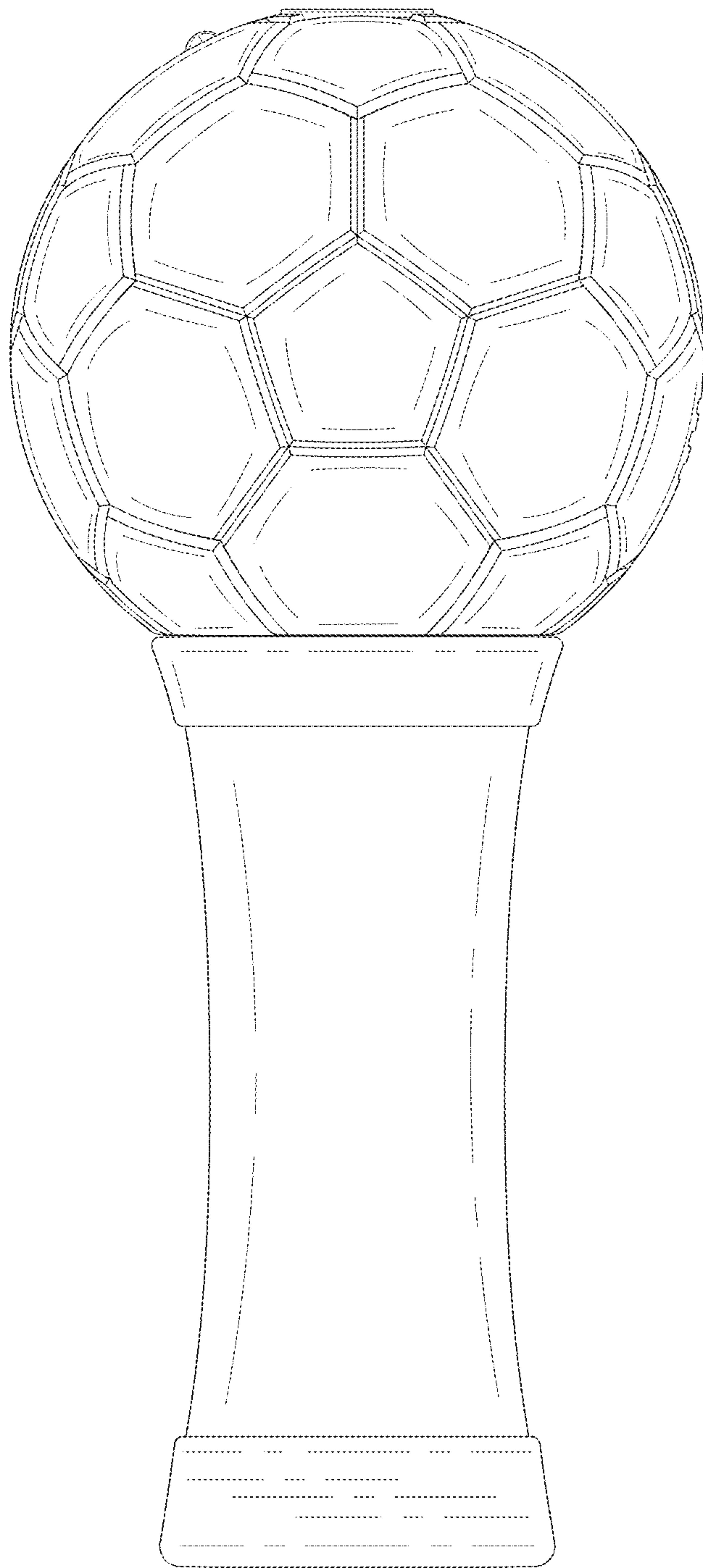


FIG. 3

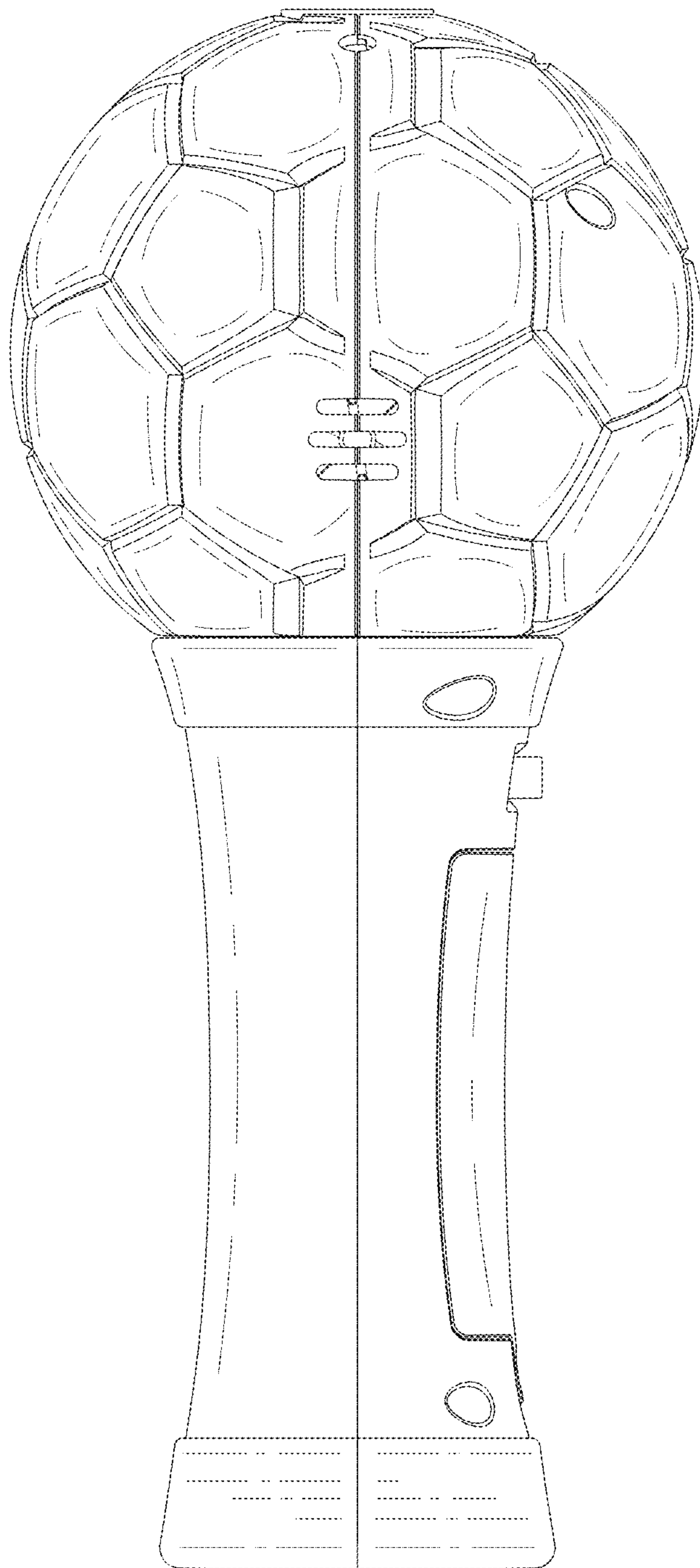


FIG. 4

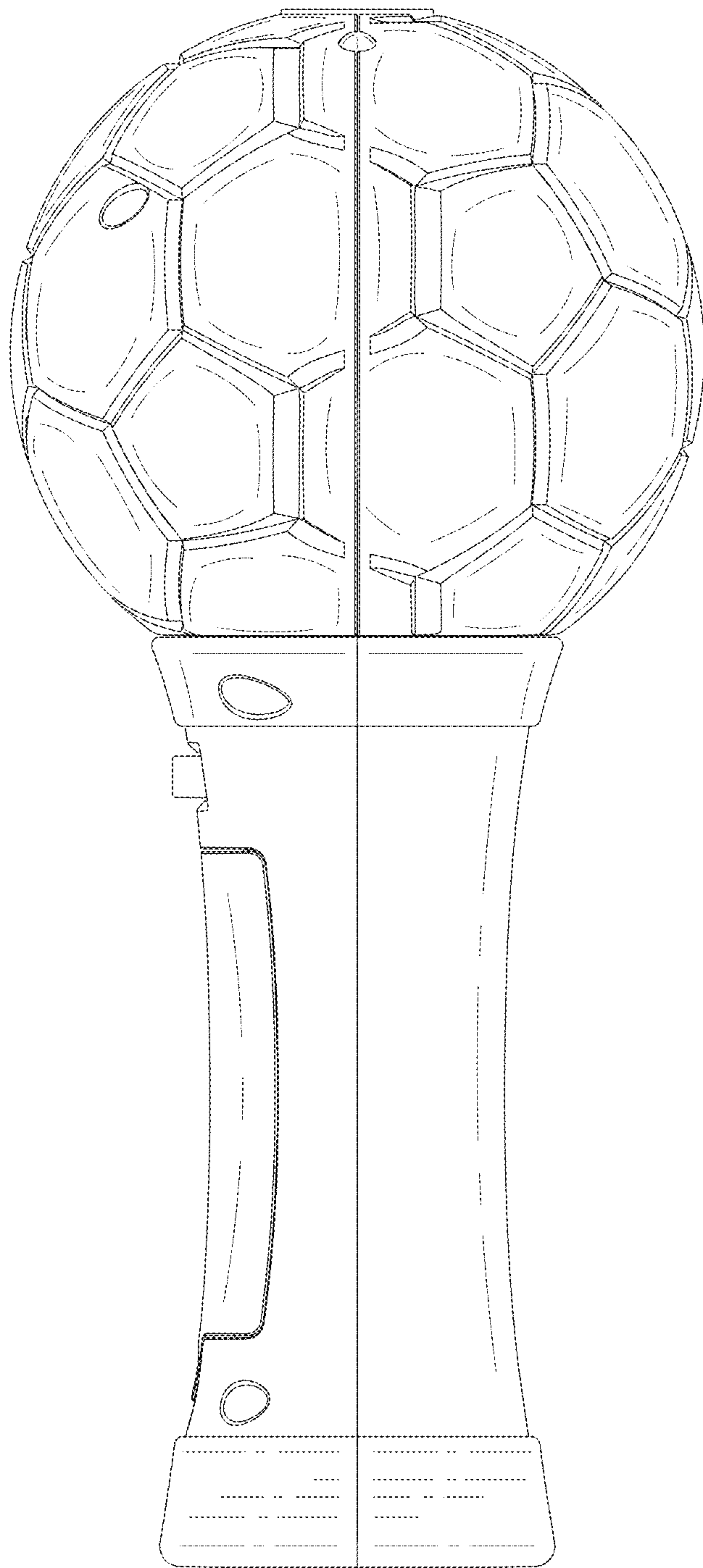


FIG. 5

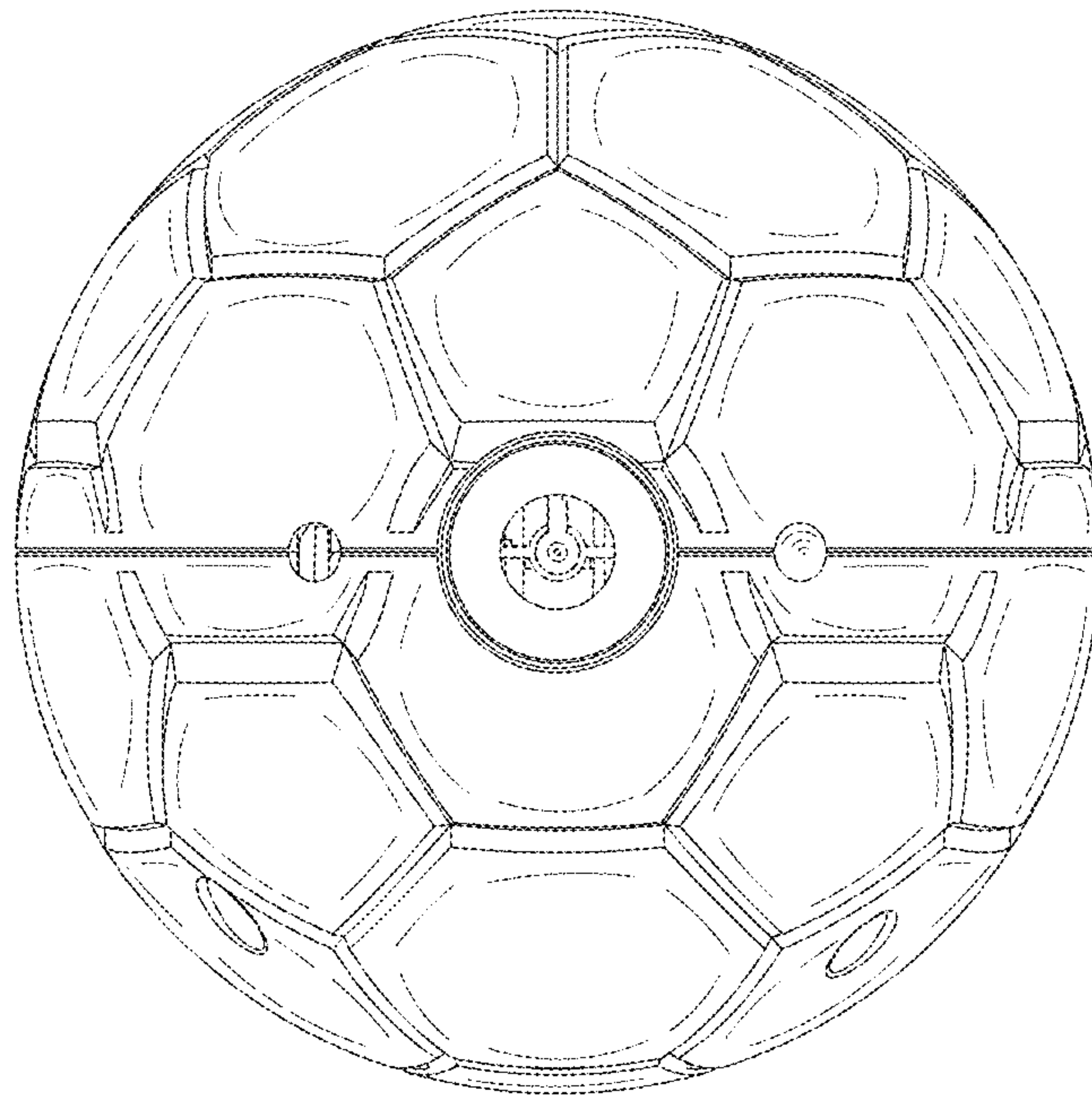


FIG. 6

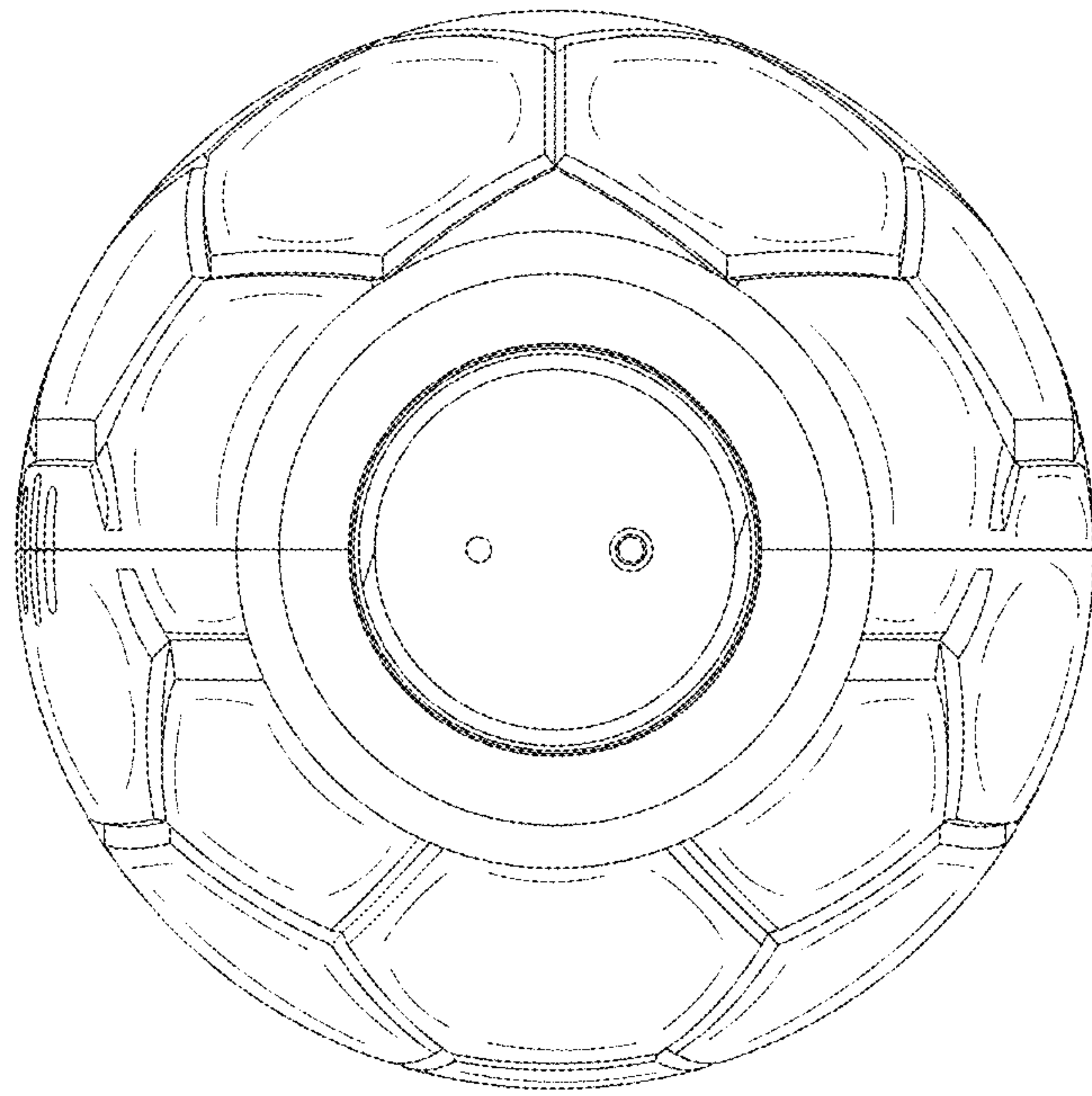


FIG. 7