



US00D984545S

(12) **United States Design Patent** (10) **Patent No.:** **US D984,545 S**
Zheng (45) **Date of Patent:** **** Apr. 25, 2023**

(54) **BUBBLE MACHINE**

(71) Applicant: **Wanfen Zheng**, Shantou (CN)

(72) Inventor: **Wanfen Zheng**, Shantou (CN)

(**) Term: **15 Years**

(21) Appl. No.: **29/863,803**

(22) Filed: **Dec. 22, 2022**

(51) **LOC (14) Cl.** **21-01**

(52) **U.S. Cl.**
USPC **D21/401**

(58) **Field of Classification Search**
USPC D21/401, 402, 398, 473, 528, 483, 513
CPC A63H 33/28; A63H 33/00; A63J 5/025;
B05B 7/0075; B05B 7/0081
See application file for complete search history.

(56) **References Cited**

U.S. PATENT DOCUMENTS

D274,415 S *	6/1984	Stansbury, Jr.	D10/106.2
D275,936 S *	10/1984	Coyer	D10/106.2
4,871,115 A *	10/1989	Hessey	A63J 5/025
				392/484
D382,025 S *	8/1997	Doi	D21/528
D490,861 S	6/2004	Buzzelli		
7,302,170 B1 *	11/2007	Chen	F22B 1/282
				392/398
8,451,132 B1 *	5/2013	Van Vleet	G08B 21/14
				340/630
10,363,492 B1 *	7/2019	Thai	A63H 33/28
D896,894 S	9/2020	Yang		
D957,528 S *	7/2022	Yang	D21/401
11,458,411 B1 *	10/2022	Thai	A63H 33/26
2009/0163109 A1 *	6/2009	Thai	A63H 33/28
				446/16
2009/0209163 A1 *	8/2009	Thai	A63H 33/28
				446/15
2015/0265940 A1 *	9/2015	Chan	A63H 33/28
				446/16

2017/0122606 A1 *	5/2017	Son	G01F 23/0007
2017/0122607 A1 *	5/2017	Son	F24F 13/20
2017/0128825 A1 *	5/2017	Wu	A63H 30/04
2017/0363283 A1 *	12/2017	Chang	A63J 5/025
2018/0272245 A1 *	9/2018	Pogue	A63J 5/025
2018/0339258 A1 *	11/2018	Jeon	B01D 47/085
2019/0126161 A1 *	5/2019	Yang	A63J 5/02
2020/0061487 A1 *	2/2020	Thai	A63H 33/28

(Continued)

OTHER PUBLICATIONS

Firework Bubble Blower. Date First Available: Dec. 19, 2022. Retrieved from internet: <<https://www.amazon.ca/Firework-Automatic-Colorful-Electric-Bubbles/dp/B0BPP41Z47?th=1>> [site visited Feb. 3, 2023] (Year: 2022).*

(Continued)

Primary Examiner — Katherine Glennon
Assistant Examiner — Yuan Yuan
(74) *Attorney, Agent, or Firm* — Georgi Korobanov

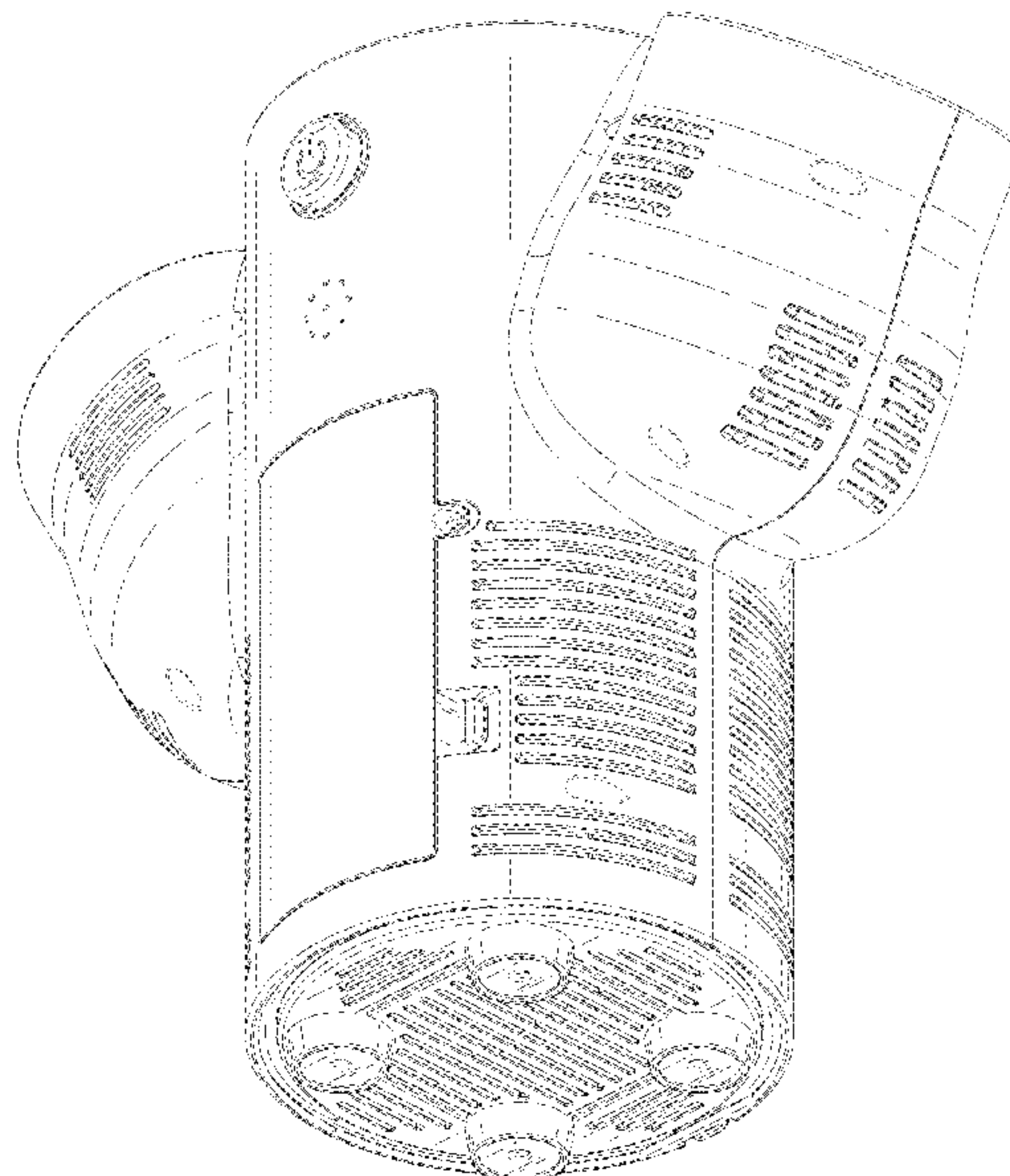
(57) **CLAIM**

The ornamental design for a bubble machine, as shown and described.

DESCRIPTION

FIG. 1 is a front, right and bottom perspective view of a bubble machine, showing my new design;
FIG. 2 is a rear, left and top perspective view thereof;
FIG. 3 is a front view thereof;
FIG. 4 is a rear view thereof;
FIG. 5 is a left side view thereof;
FIG. 6 is a right side view thereof;
FIG. 7 is a top plan view thereof;
FIG. 8 is a bottom plan view thereof; and,
FIG. 9 is an enlarged view of portion 9 shown in FIG. 2.
The broken lines shown in the drawings illustrate portions of the bubble machine that form no part of the claimed design.

1 Claim, 9 Drawing Sheets



(56)

References Cited

U.S. PATENT DOCUMENTS

2020/0197828 A1* 6/2020 Yang A63H 33/28
2022/0088499 A1* 3/2022 Pogue A63H 33/28

OTHER PUBLICATIONS

Doefo Portable Fireworks Bubble Machine. Date First Available:
Dec. 13, 2022. Retrieved from internet: <<https://www.amazon.com.au/dp/B0BPXNZ993/>> [site visited Feb. 3, 2023] (Year: 2022).*
Portable Firework Bubble Machine. Date First Available: Dec. 8,
2022. Retrieved from internet: <<https://www.amazon.com.au/dp/B0BPHCDWFF/>> [site visited Feb. 3, 2023] (Year: 2022).*

* cited by examiner

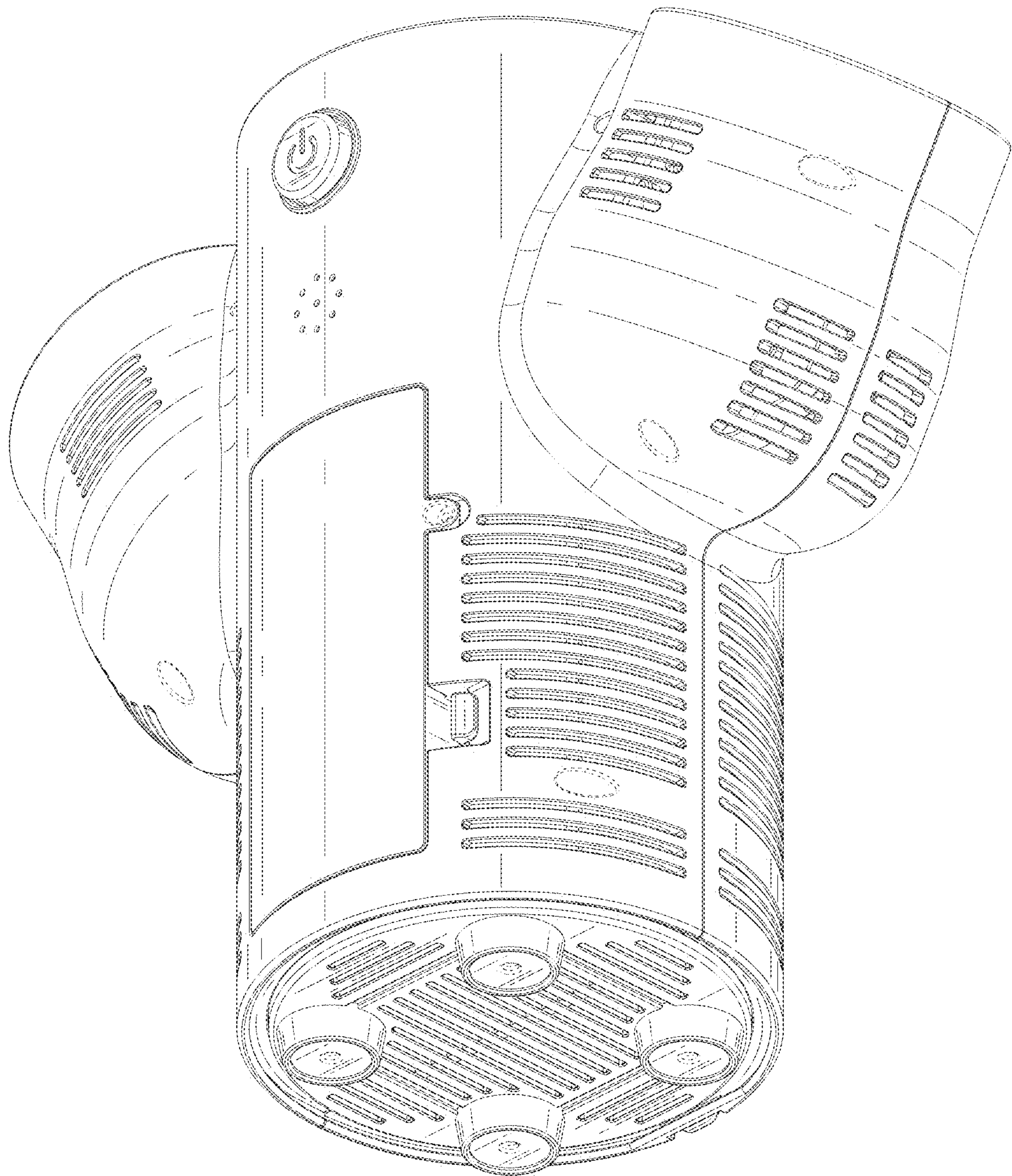


FIG. 1

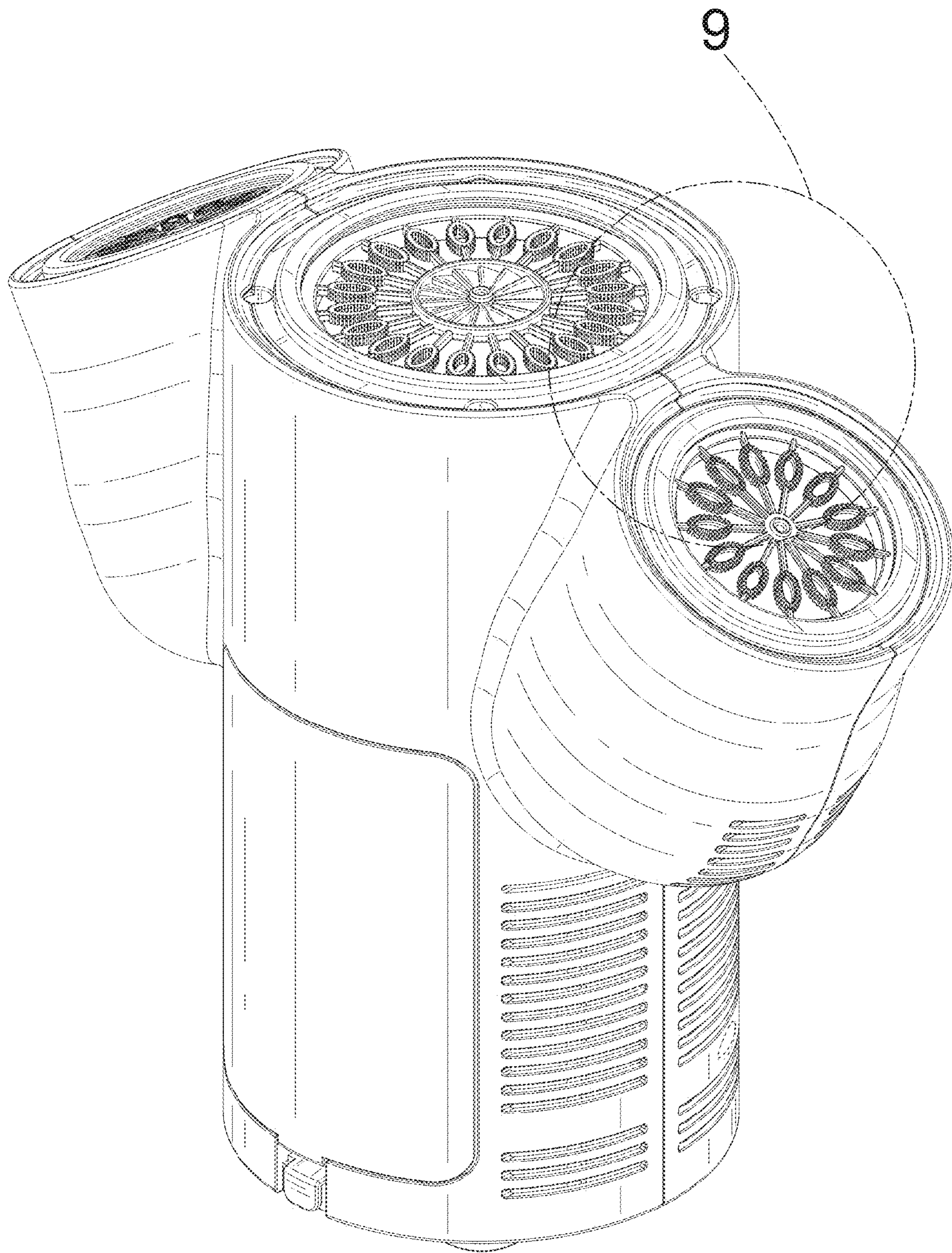


FIG. 2

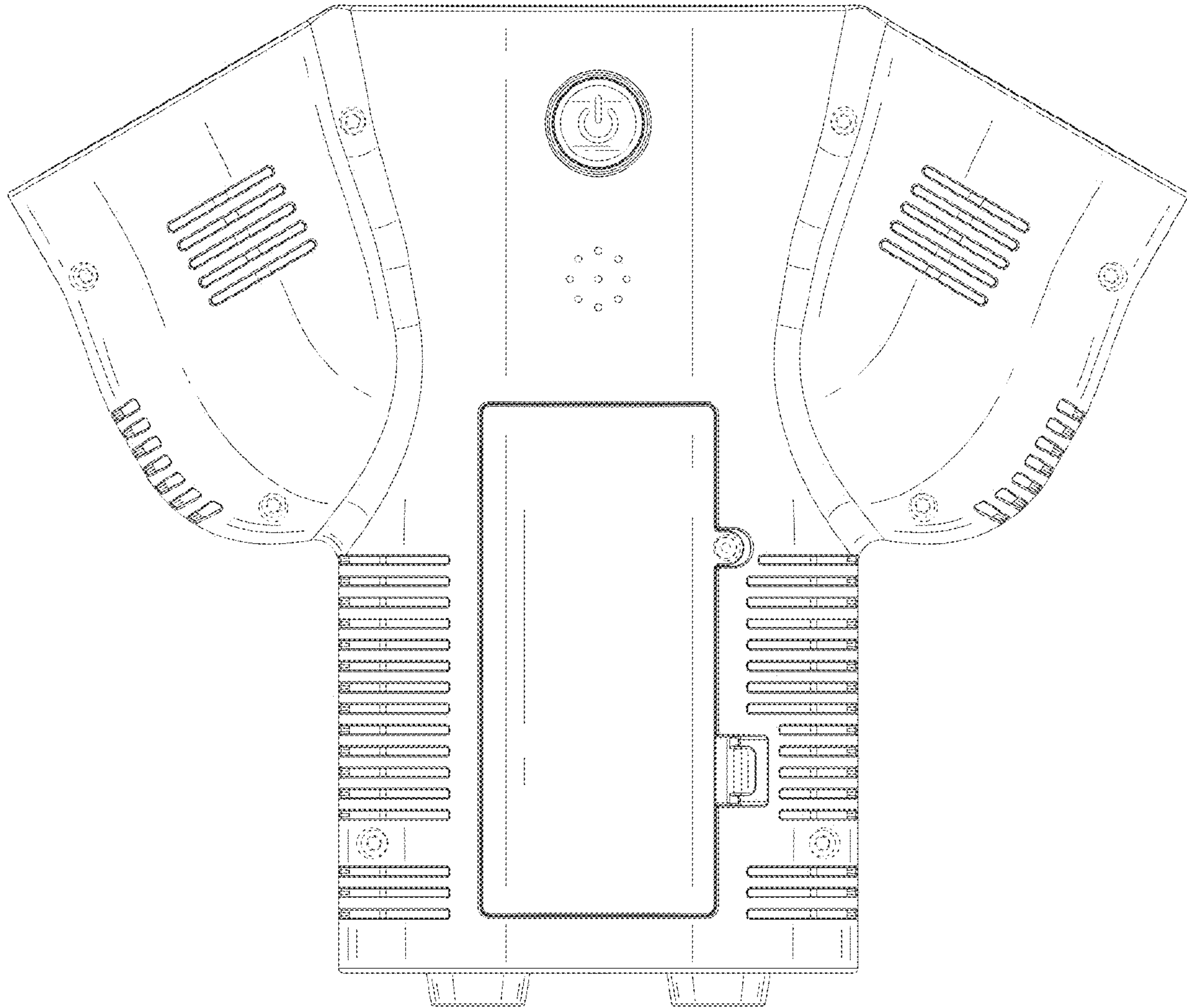


FIG. 3

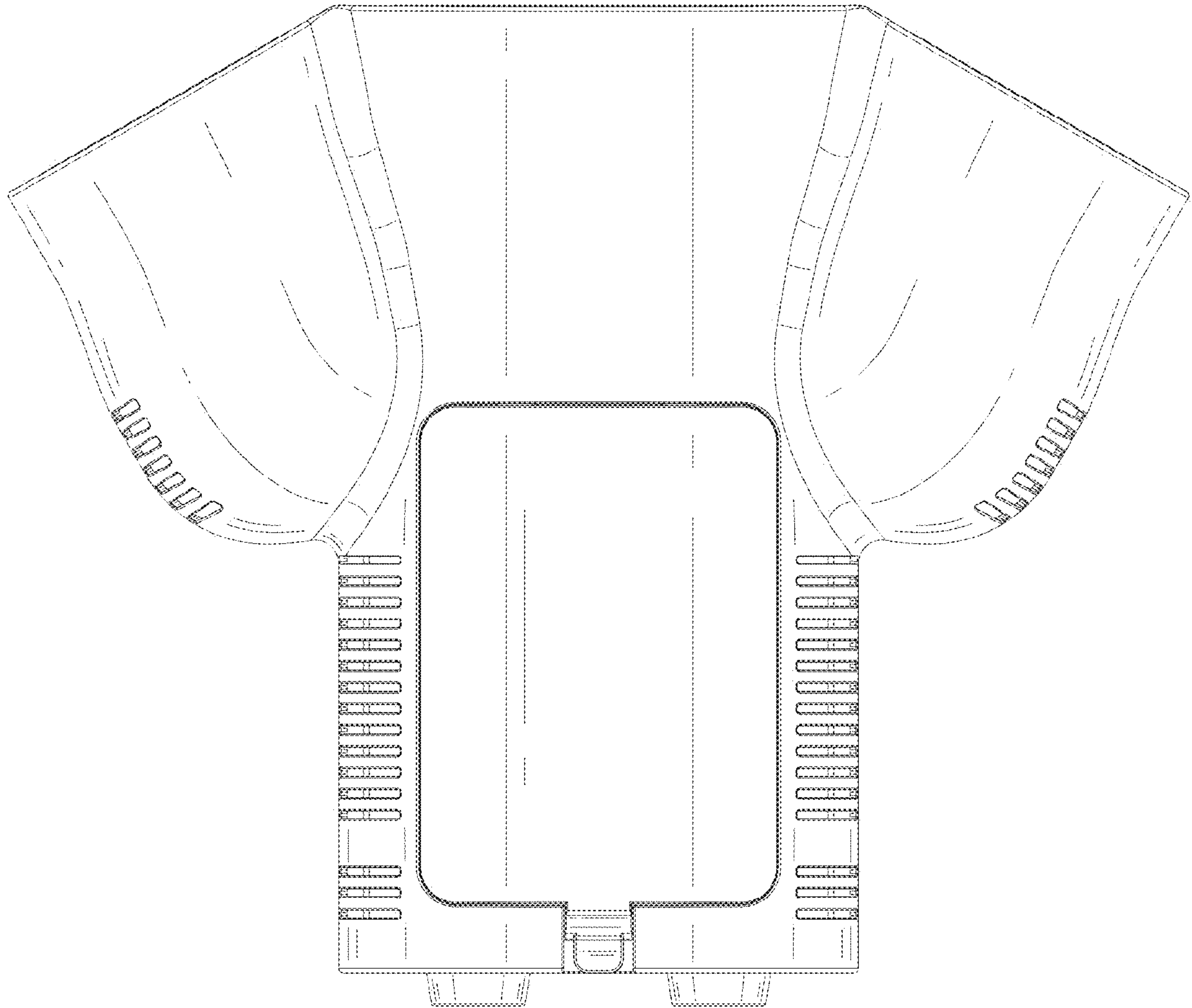


FIG. 4

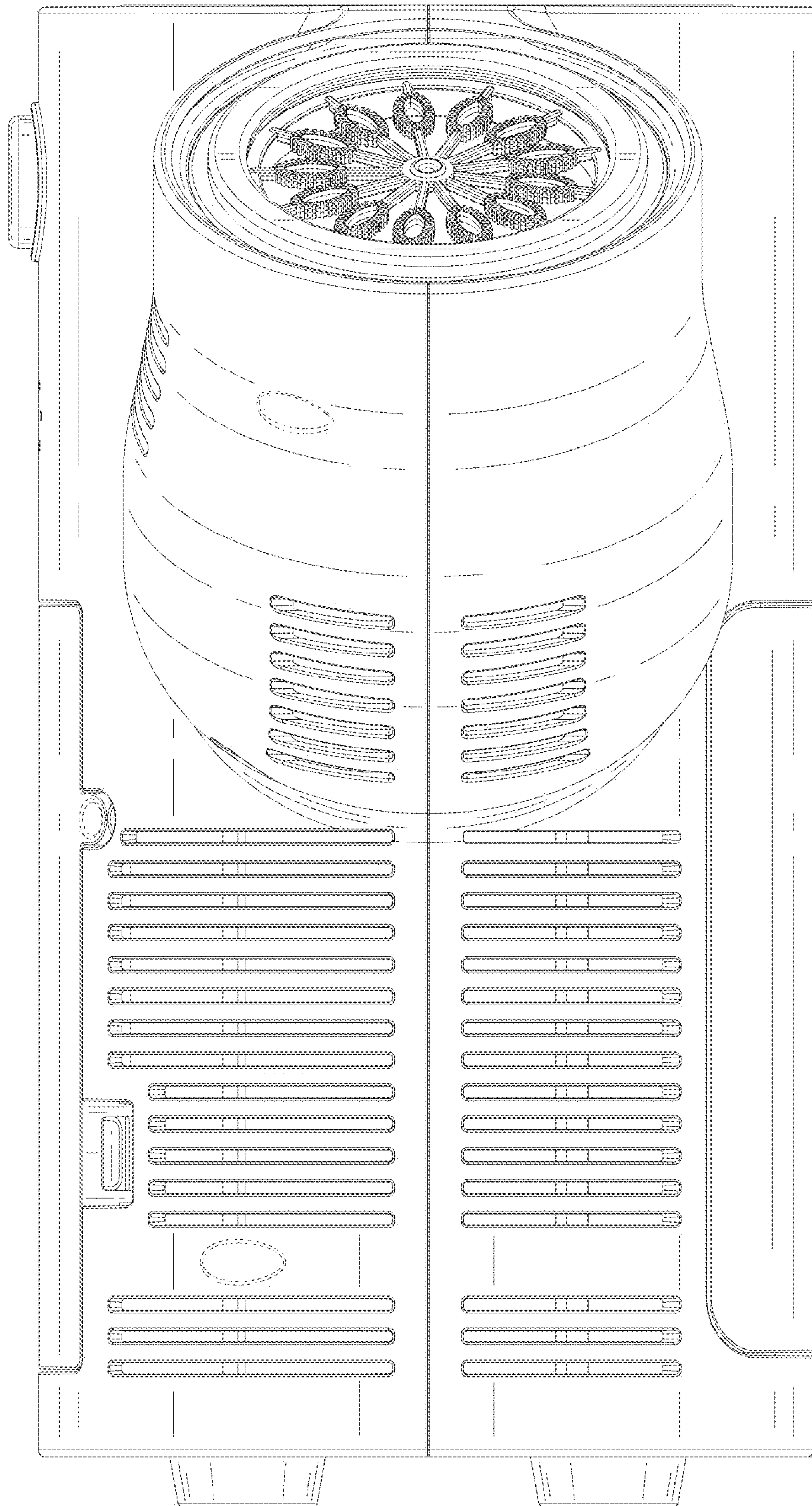


FIG. 5

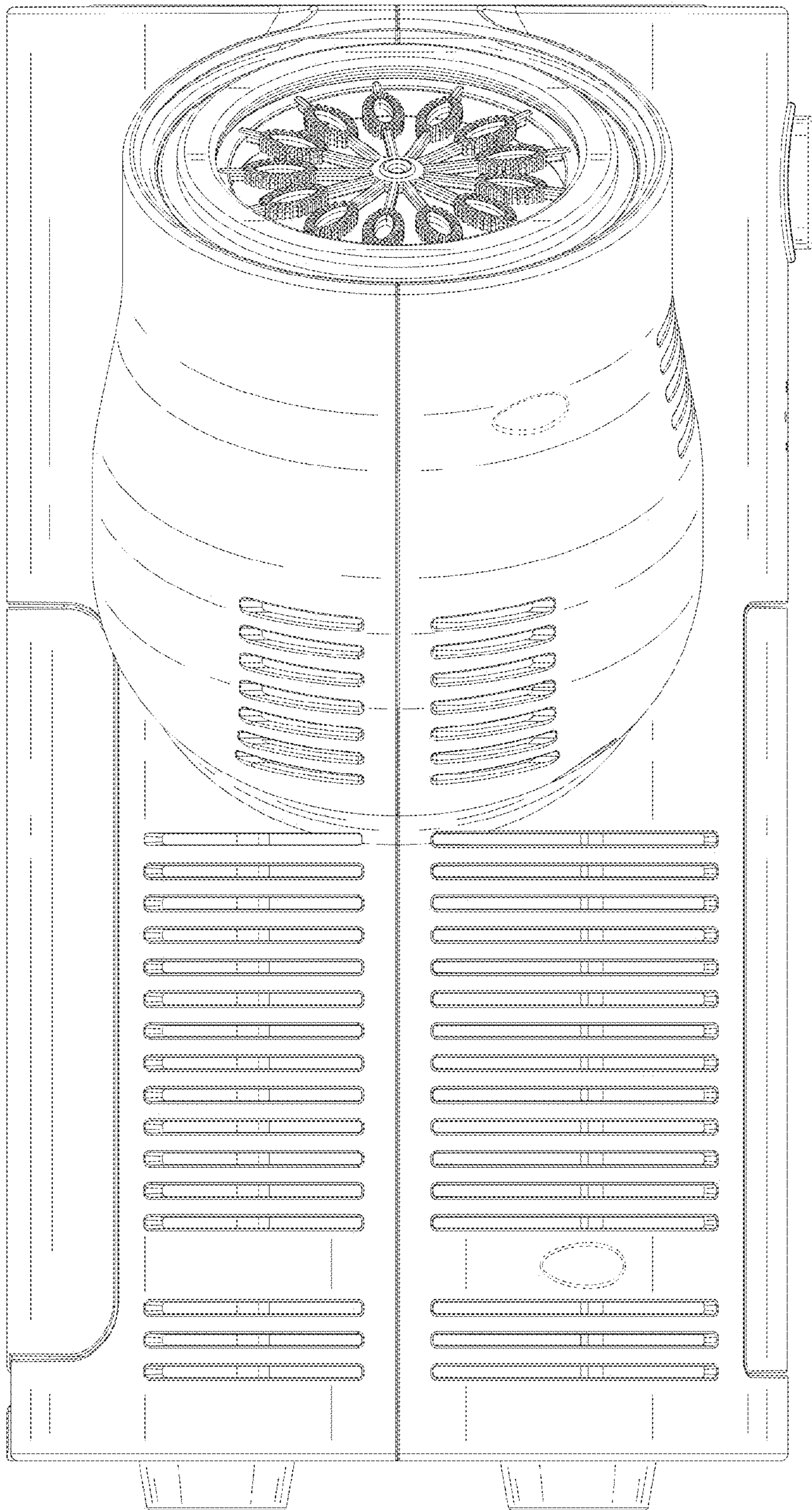


FIG. 6

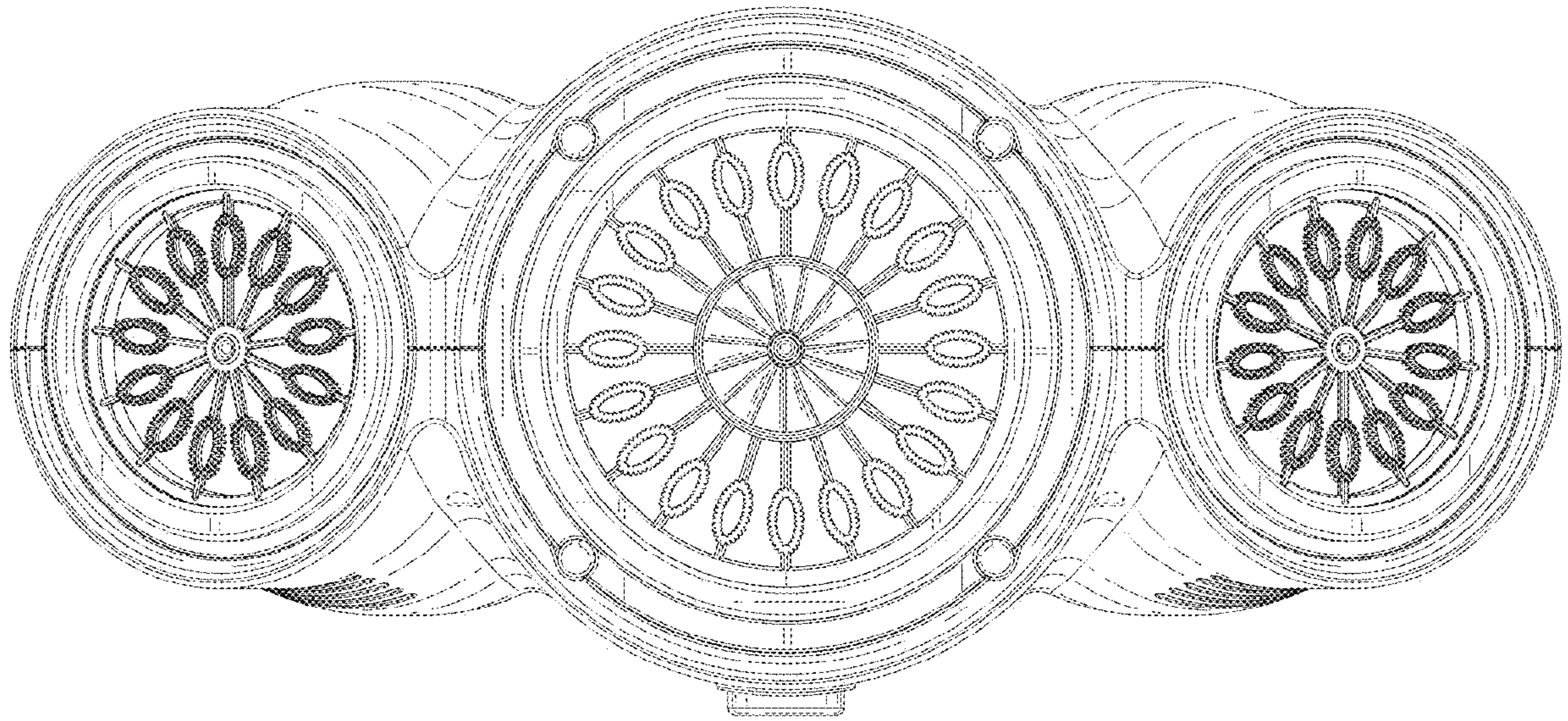


FIG. 7

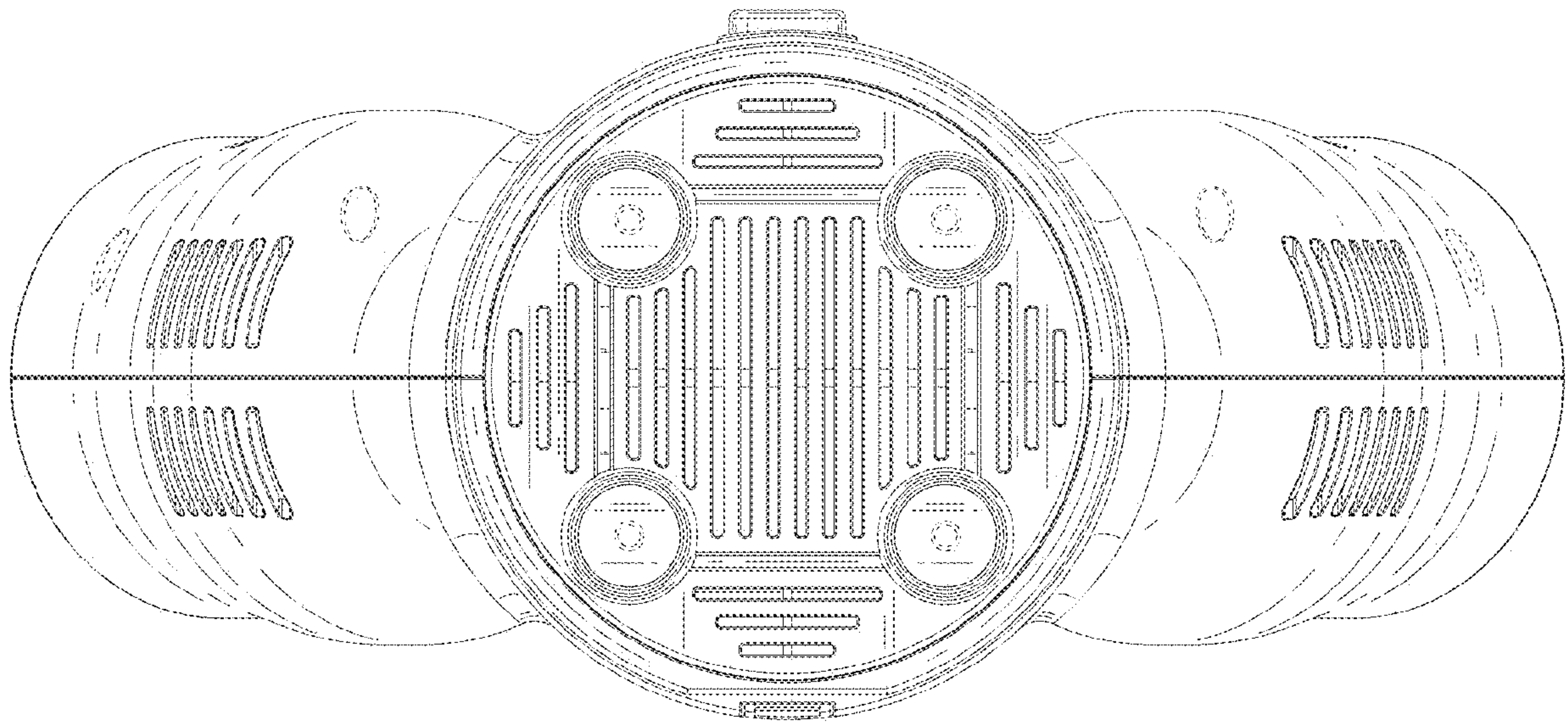


FIG. 8

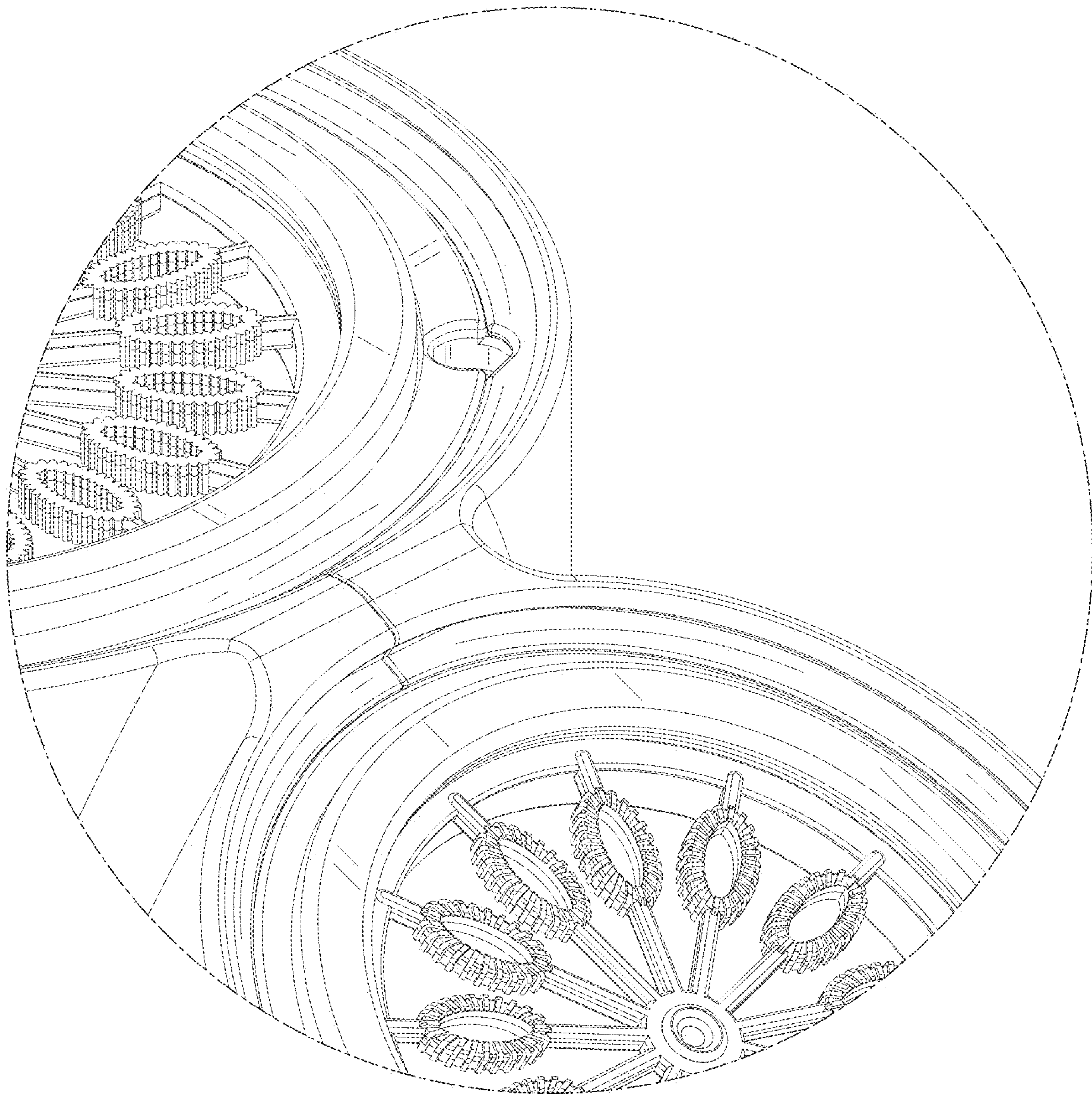


FIG. 9