



US00D984541S

(12) **United States Design Patent**
Carlson et al.

(10) **Patent No.:** **US D984,541 S**

(45) **Date of Patent:** **** Apr. 25, 2023**

(54) **GAMING MACHINE**

(71) Applicant: **Aristocrat Technologies, Inc.**, Las Vegas, NV (US)

(72) Inventors: **Kathryn Carlson**, Fallon, NV (US);
Jason Knott, Eugene, OR (US)

(73) Assignee: **ARISTOCRAT TECHNOLOGIES, INC.**, Las Vegas, NV (US)

(**) Term: **15 Years**

(21) Appl. No.: **29/748,448**

(22) Filed: **Aug. 28, 2020**

(51) **LOC (14) Cl.** **21-01**

(52) **U.S. Cl.**
USPC **D21/370**

(58) **Field of Classification Search**
USPC D21/369, 370, 324, 329; D14/485, 486
See application file for complete search history.

(56) **References Cited**

U.S. PATENT DOCUMENTS

D264,099 S *	4/1982	Hanzawa	D21/329
D321,377 S *	11/1991	Ko	D21/324
6,604,740 B1 *	8/2003	Singer	G07F 17/34 463/16
D803,323 S *	11/2017	Bussey	D21/369
D907,716 S *	1/2021	DeMarco	D21/369
D910,118 S *	2/2021	DeMarco	D21/369
D910,120 S *	2/2021	DeMarco	D21/369
D938,972 S *	12/2021	Boese	D14/485
D952,646 S *	5/2022	Ludwick	D14/485

D968,516 S *	11/2022	McGahn	D21/369
D969,224 S *	11/2022	Francisco	D21/370
D974,481 S *	1/2023	Ocampo	D21/370
2019/0066445 A1	2/2019	Satterlie		

* cited by examiner

Primary Examiner — George D. Kirschbaum

(74) *Attorney, Agent, or Firm* — McAndrews Held & Malloy, Ltd.

(57) **CLAIM**

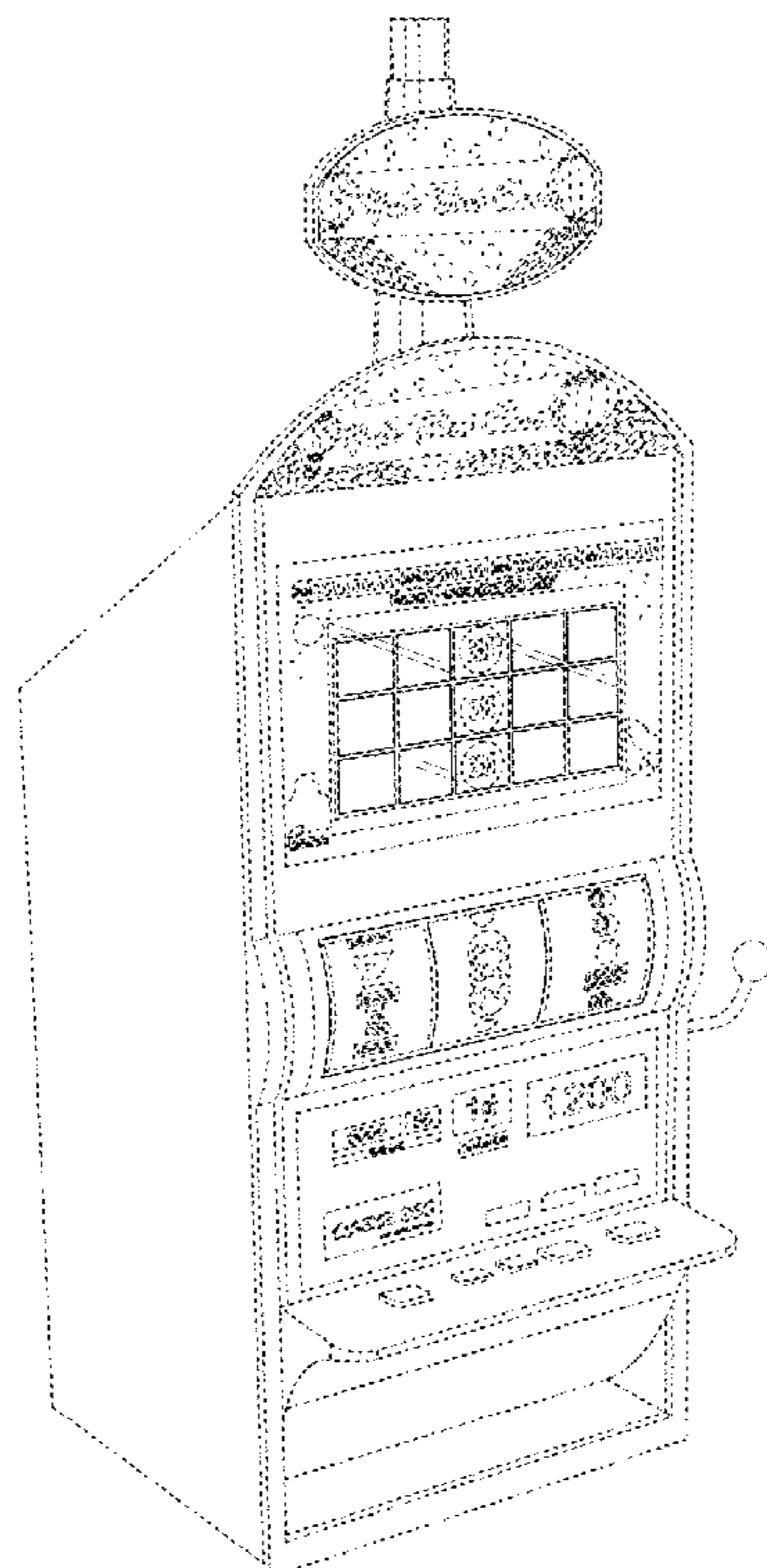
The ornamental design for a gaming machine, as shown and described.

DESCRIPTION

FIG. 1 is a front perspective view of a gaming machine showing our design according to a first embodiment; FIG. 2 is a front elevation view thereof; FIG. 3 is a side elevation view thereof; FIG. 4 is a front perspective view of a gaming machine showing our design according to a second embodiment; FIG. 5 is a front elevation view thereof; FIG. 6 is a side elevation view thereof; FIG. 7 is a front perspective view of a gaming machine showing our design according to a third embodiment; FIG. 8 is a front elevation view thereof; FIG. 9 is a side elevation view thereof; FIG. 10 is a front perspective view of a gaming machine showing our design according to a fourth embodiment; FIG. 11 is a front elevation view thereof; and, FIG. 12 is a side elevation view thereof.

The dashed broken lines in the figures illustrate portions of the gaming machine that form no part of the claimed design.

1 Claim, 12 Drawing Sheets



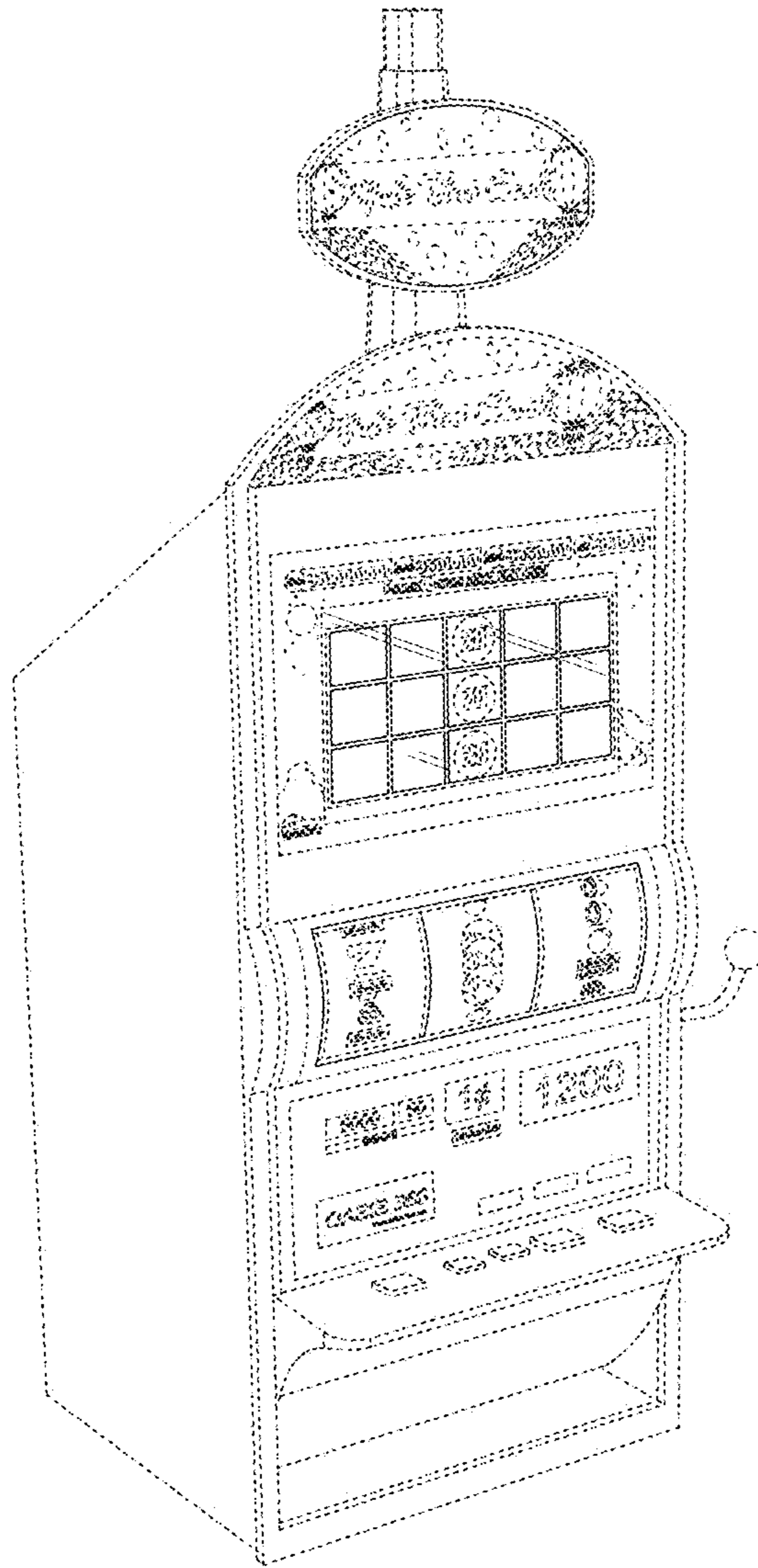


FIG. 1

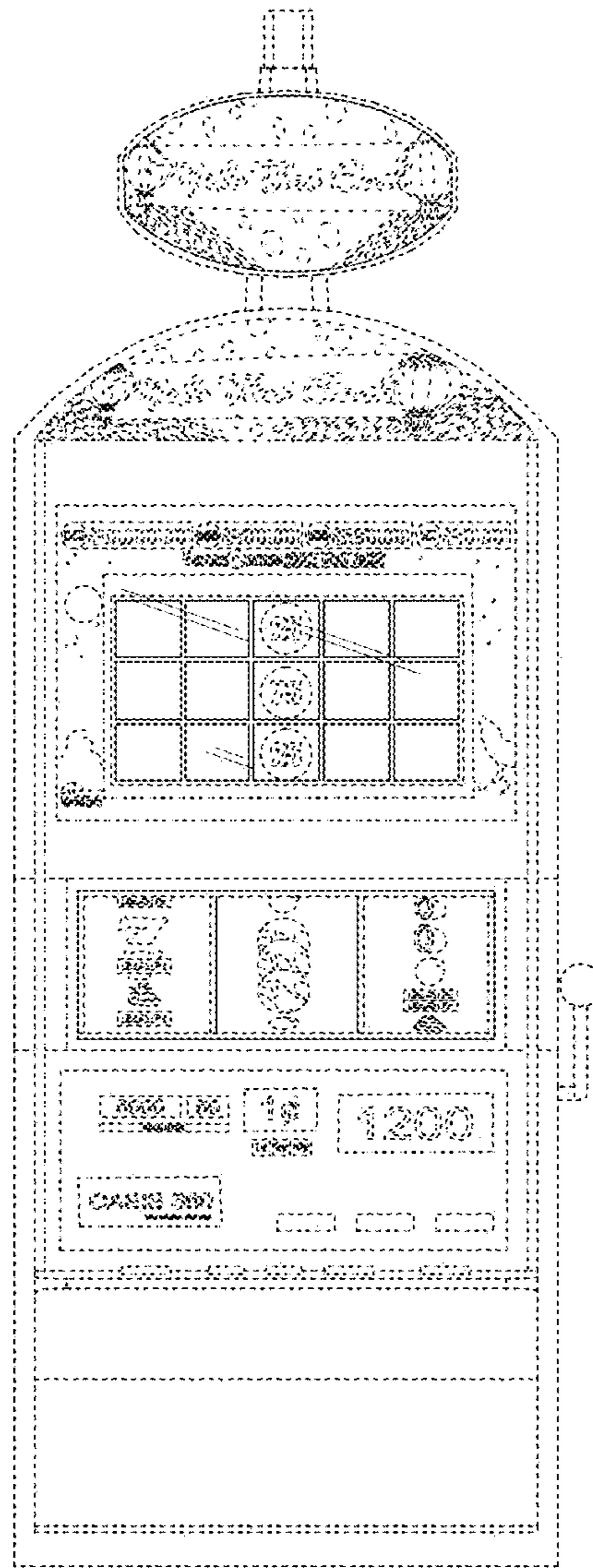


FIG. 2

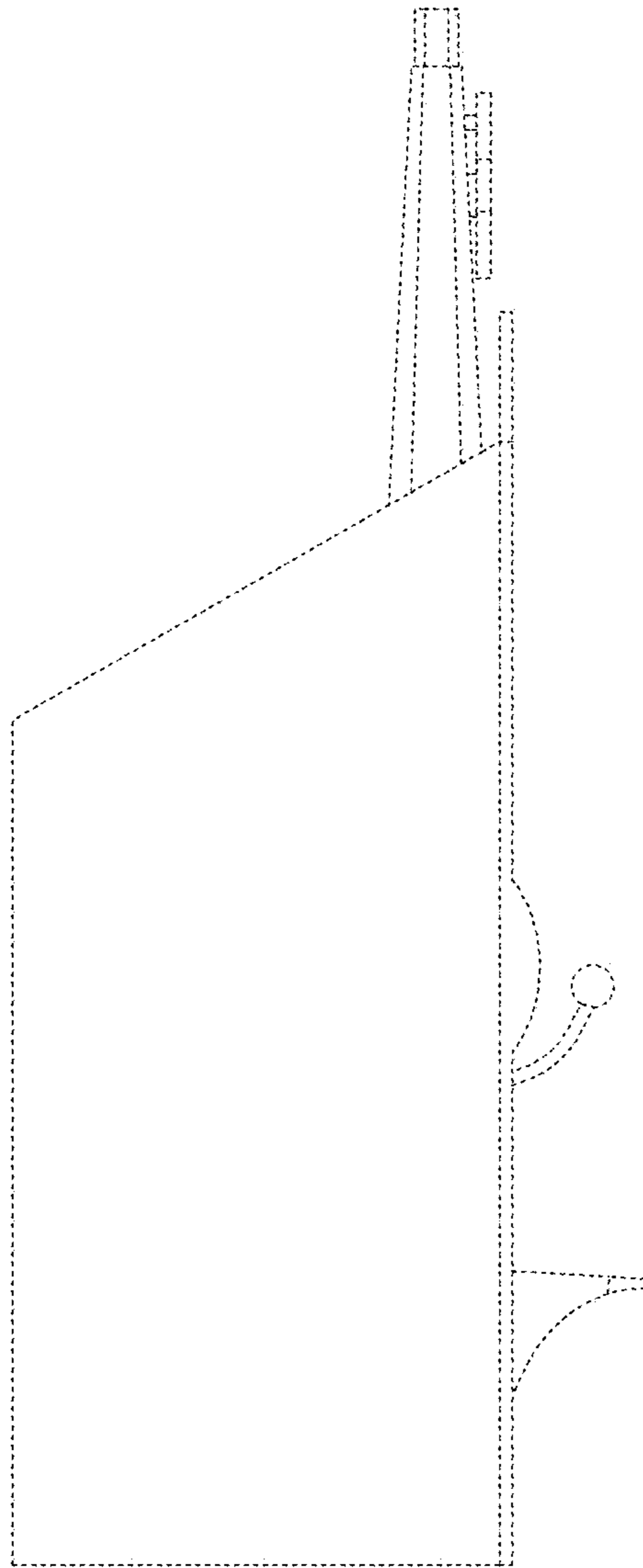


FIG. 3

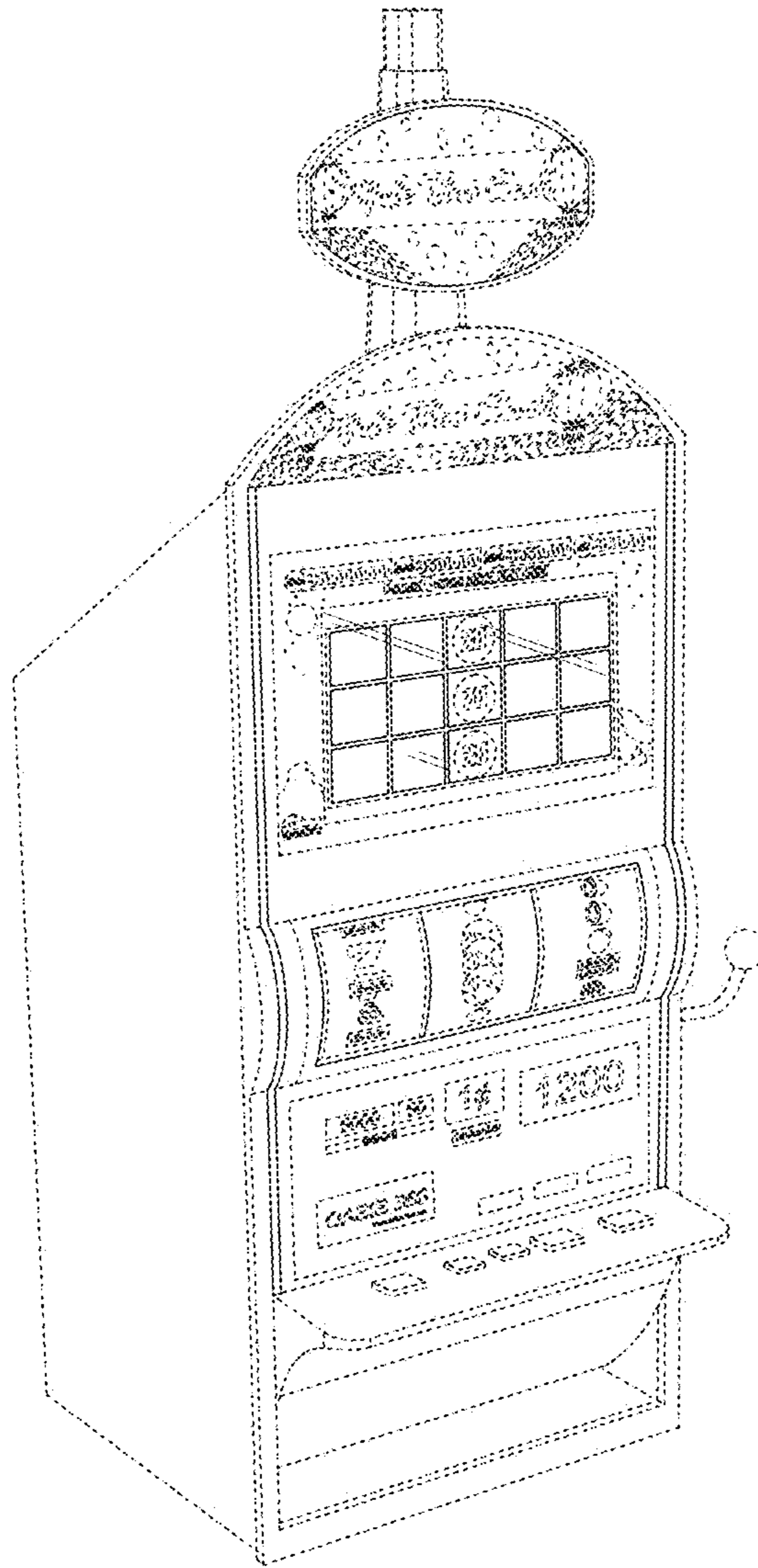


FIG. 4

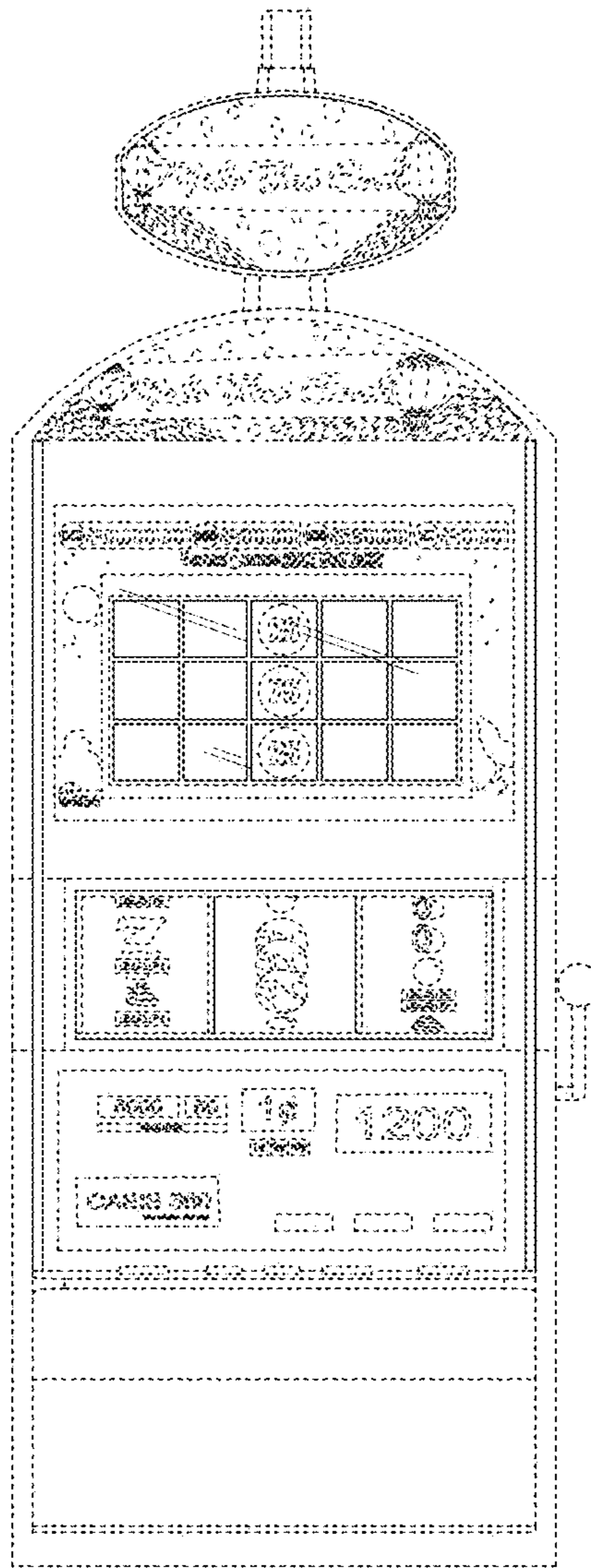


FIG. 5

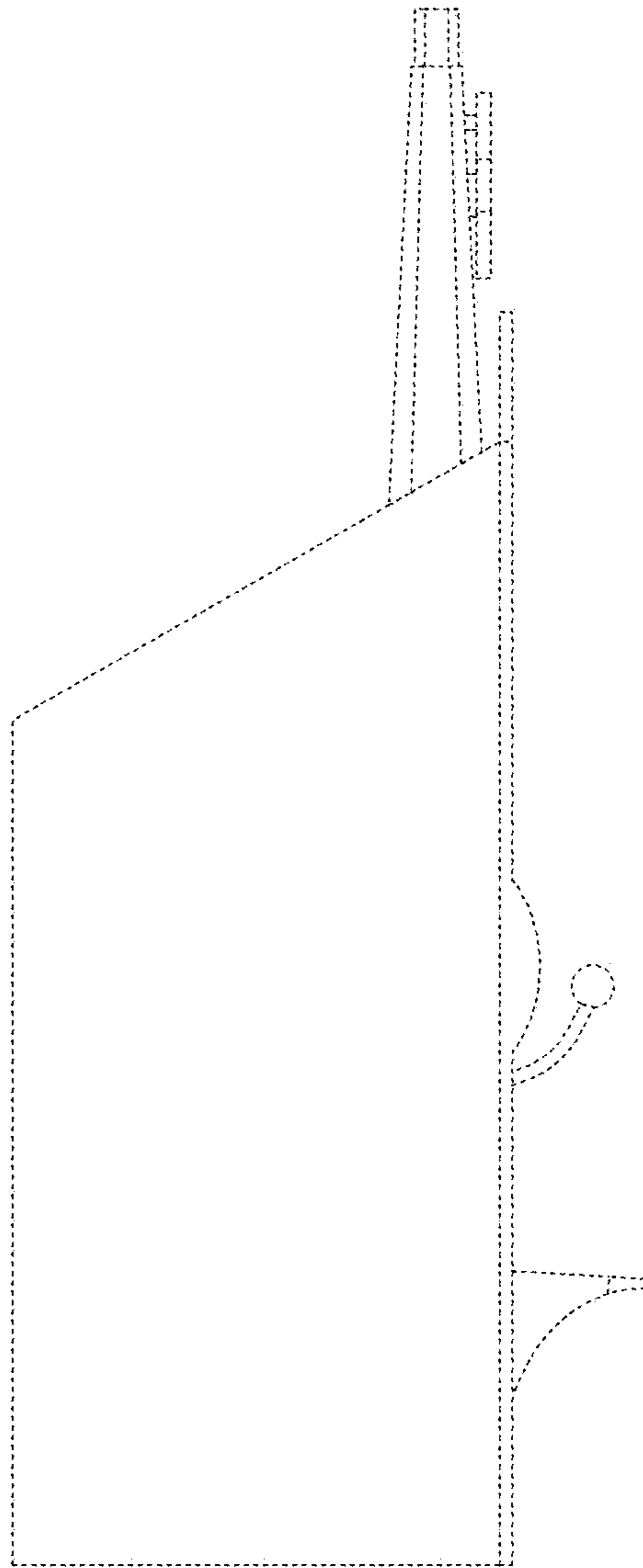


FIG. 6

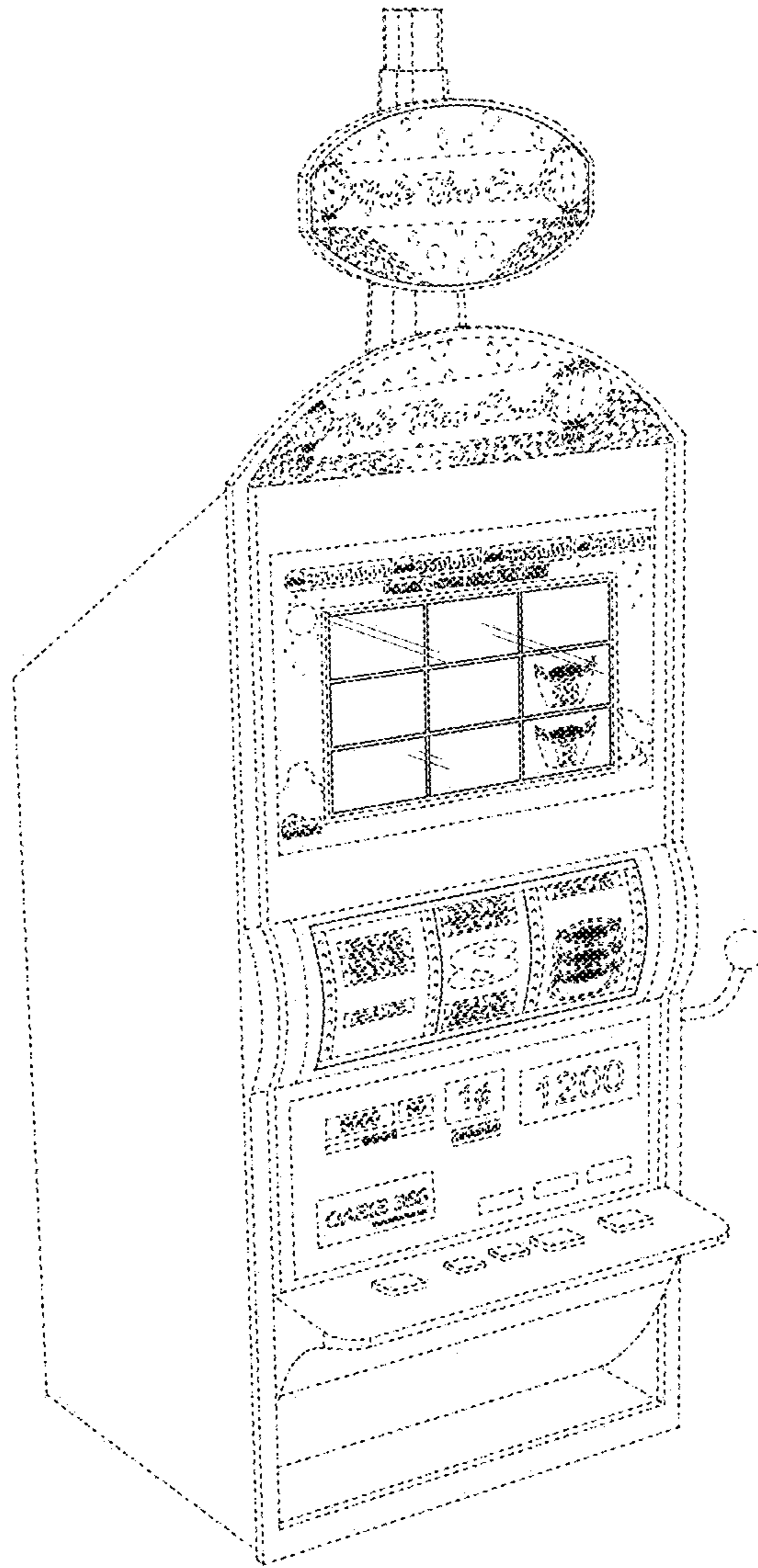


FIG. 7

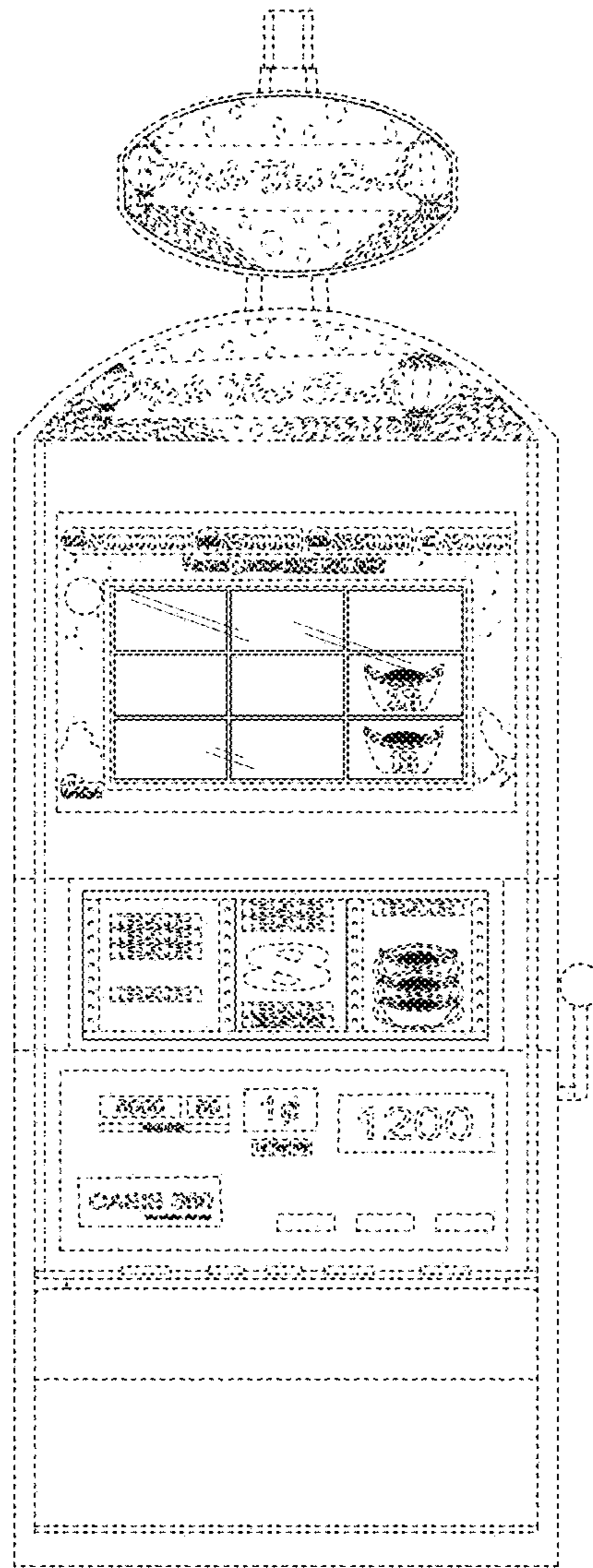


FIG. 8

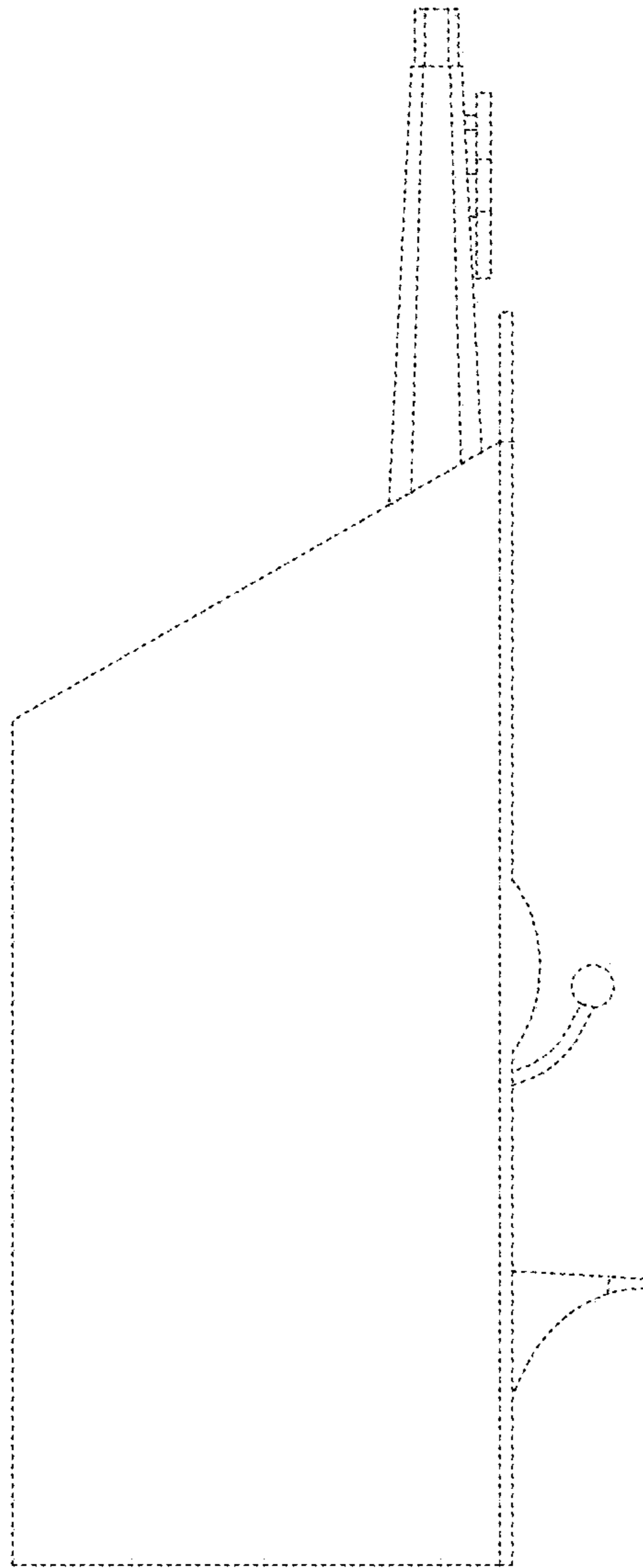


FIG. 9

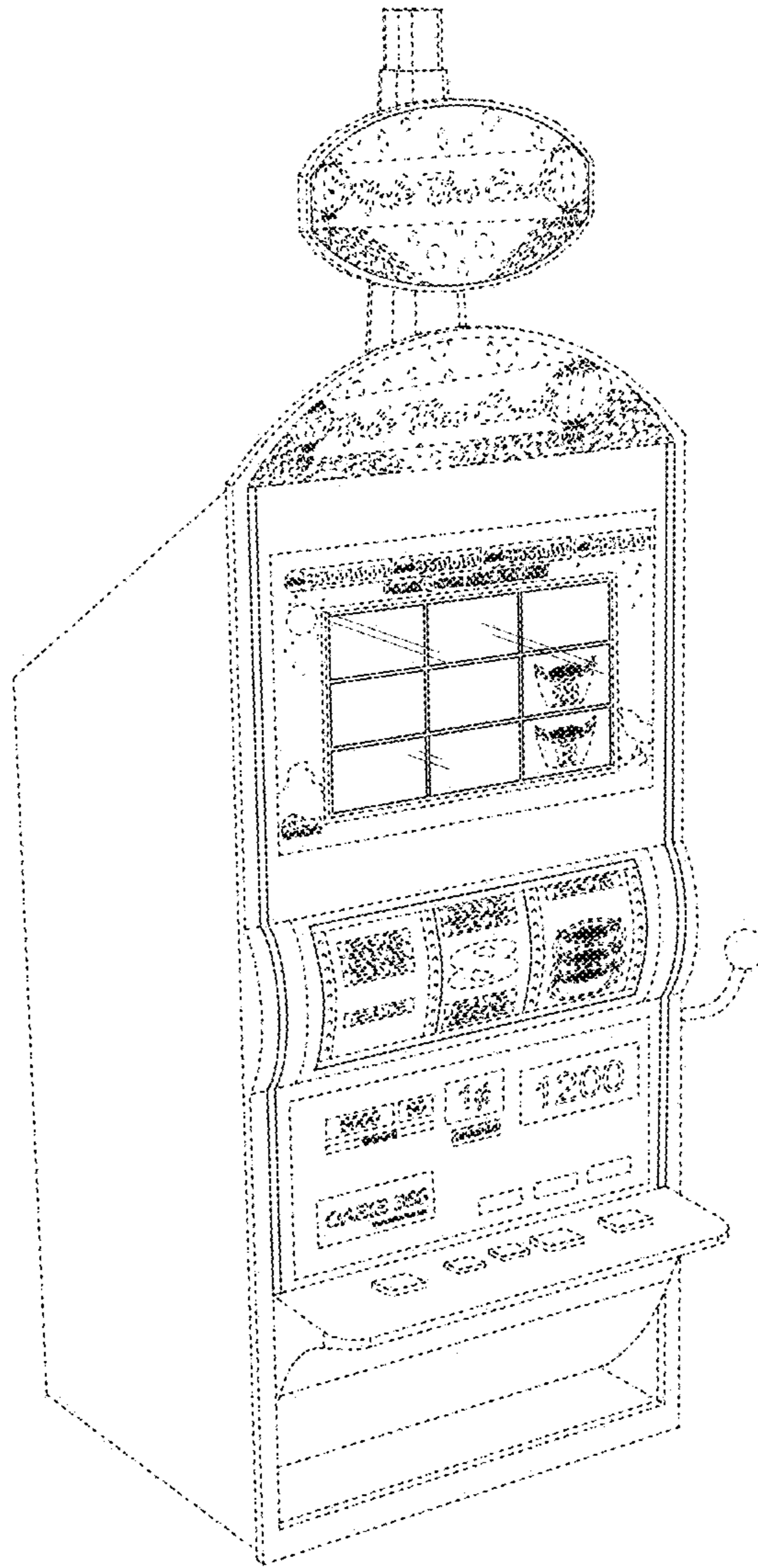


FIG. 10

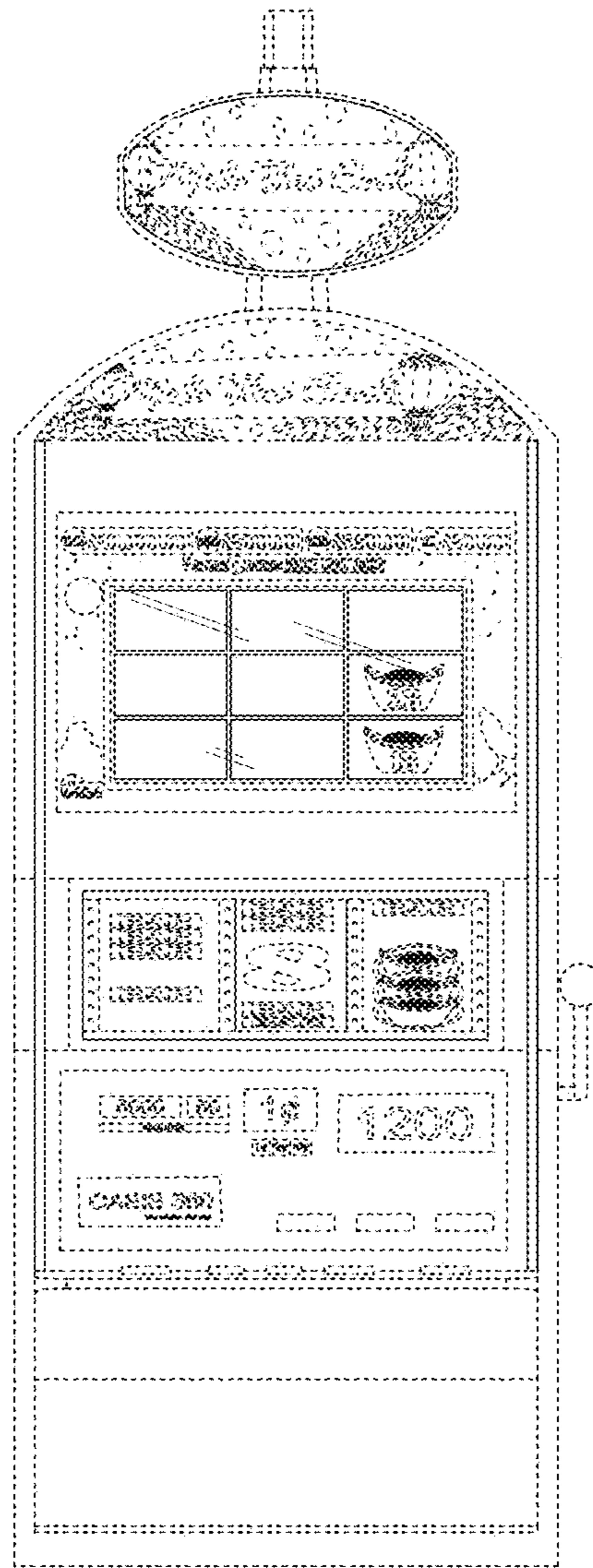


FIG. 11

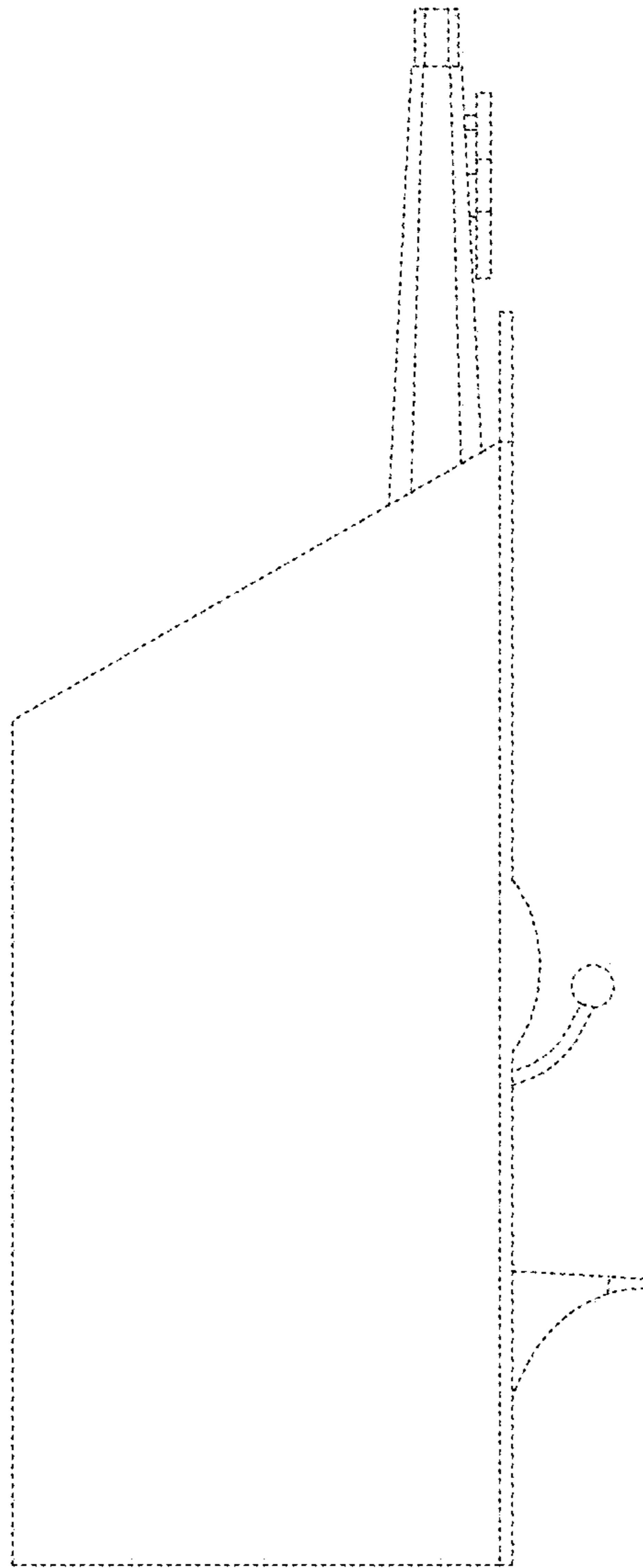


FIG. 12