



US00D984528S

(12) **United States Design Patent** (10) **Patent No.:** **US D984,528 S**  
**Cesar et al.** (45) **Date of Patent:** **\*\* Apr. 25, 2023**

- (54) **LARGE FORMAT PRINTER**
- (71) Applicant: **Hewlett-Packard Development Company, L.P.**, Spring, TX (US)
- (72) Inventors: **Javier Alfonso Cesar**, Sant Cugat del Vallès (ES); **Ferran Rafat Esquiús**, Sant Cugat del Vallès (ES); **Marc Morros**, Sant Cugat del Vallès (ES)
- (73) Assignee: **HEWLETT-PACKARD DEVELOPMENT COMPANY, L.P.**, Spring, TX (US)
- (\*\*) Term: **15 Years**
- (21) Appl. No.: **29/734,664**
- (22) Filed: **May 14, 2020**
- (51) **LOC (14) Cl.** ..... **18-02**
- (52) **U.S. Cl.**  
USPC ..... **D18/53**
- (58) **Field of Classification Search**  
USPC ..... D6/700, 866.21, 406.5, 405.6, 694, 685, D6/641, 553; D19/66, 67, 68, 69; D11/164; D8/367, 382; D18/50, 53, 54, D18/55, 56, 57, 58, 59, 34.7, 34.3, 34.1, D18/4.1  
CPC ..... G06F 3/02; H04N 1/00278; B32B 27/08; G11B 23/40  
See application file for complete search history.

- 6,247,802 B1 \* 6/2001 Gasso ..... B41J 2/175 347/85
  - 6,315,474 B1 \* 11/2001 Giles ..... B41J 11/001 346/24
  - 6,338,553 B1 \* 1/2002 Lewis ..... B41J 11/001 347/85
  - D458,963 S \* 6/2002 Caamano ..... D18/53
  - D544,533 S \* 6/2007 Moliner ..... D18/53
  - D561,823 S \* 2/2008 Morillo ..... D18/53
  - D597,131 S \* 7/2009 Yamano ..... D18/53
- (Continued)

FOREIGN PATENT DOCUMENTS

CN 3149601 \* 5/2000

OTHER PUBLICATIONS

HP DesignJet T730 Large Format Printer, Amazon.com, Date published Nov. 18, 2015, date retrieved from internet Mar. 9, 2020—<https://amzn.to/3MBeCm1> (Year: 2015).\*

*Primary Examiner* — Jennifer L Rempfer  
*Assistant Examiner* — Danielle Nichole Bowly

(57) **CLAIM**

The ornamental design for a large format printer, as shown and described.

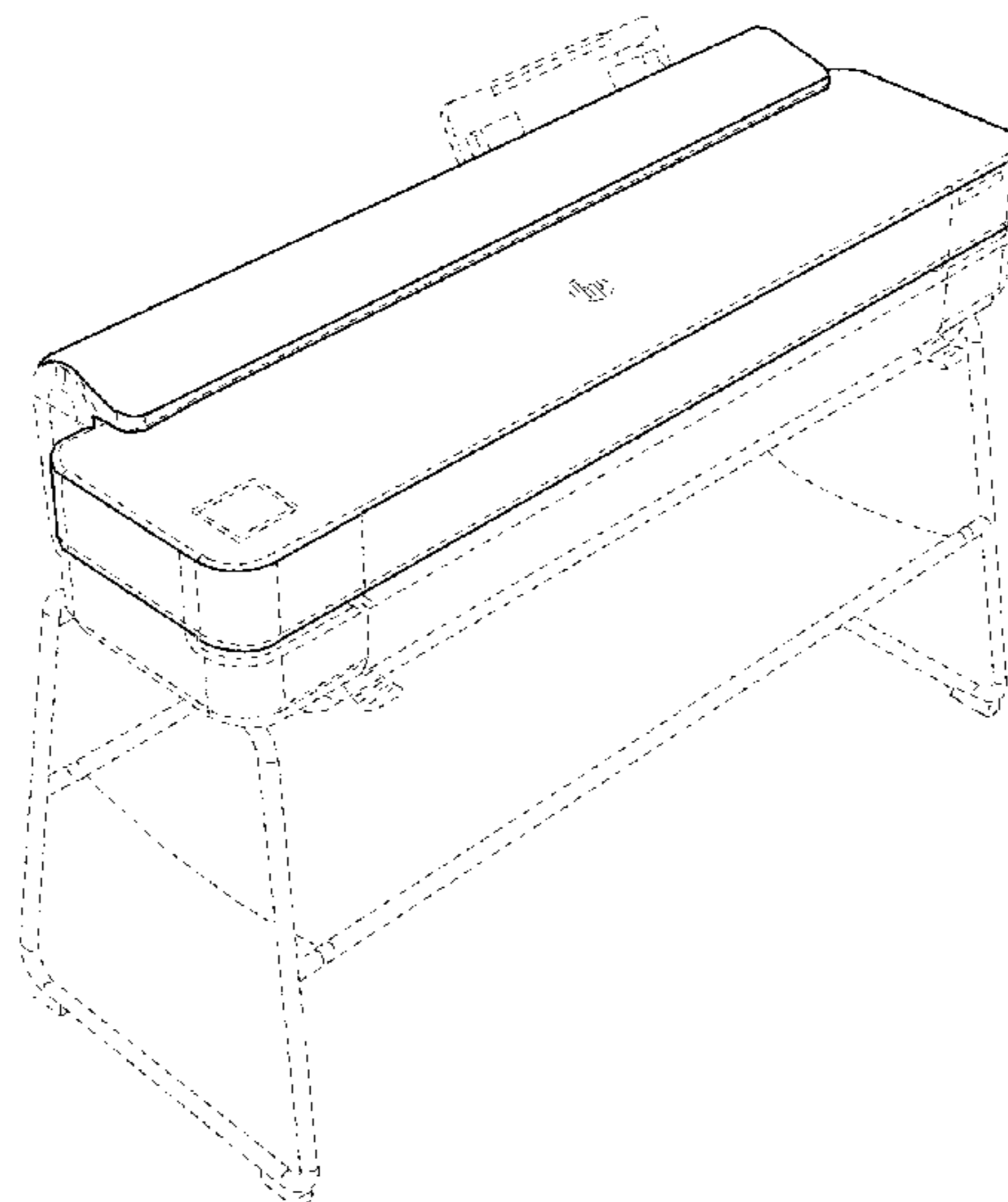
**DESCRIPTION**

FIG. 1 is a left, front perspective view of a large format printer.  
FIG. 2 is a right, front perspective view of the printer of FIG. 1.  
FIG. 3 is a front view of the printer of FIG. 1.  
FIG. 4 is a left side view of the printer of FIG. 1.  
FIG. 5 is a right side view of the printer of FIG. 1; and, FIG. 6 is a top side view of the printer of FIG. 1.  
The rear view and bottom view of the printer of FIG. 1 do not form part of the claimed design.  
The broken lines of the large format printer form no part of the claimed design.

**1 Claim, 6 Drawing Sheets**

(56) **References Cited**  
U.S. PATENT DOCUMENTS

- D347,239 S \* 5/1994 Okamoto ..... 347/108
- D400,917 S \* 11/1998 Kajikawa ..... D18/53
- D407,740 S \* 4/1999 Ina ..... D18/53
- D408,848 S \* 4/1999 Flores ..... D18/53
- 6,203,152 B1 \* 3/2001 Boleda ..... B41J 29/377 347/18
- 6,206,512 B1 \* 3/2001 Gasso ..... B41J 2/17509 347/85



(56)

**References Cited**

U.S. PATENT DOCUMENTS

D747,766 S *	1/2016	Cesar .....	D18/53
D810,819 S *	2/2018	Cesar .....	D18/53
D812,136 S *	3/2018	Cesar .....	D18/53
D894,271 S *	8/2020	Nakamura .....	D18/53
D895,004 S *	9/2020	Nakamura .....	D18/53
D944,889 S *	3/2022	Cesar .....	D18/53
2018/0345696 A1 *	12/2018	Kodaira .....	B41J 2/0457

\* cited by examiner

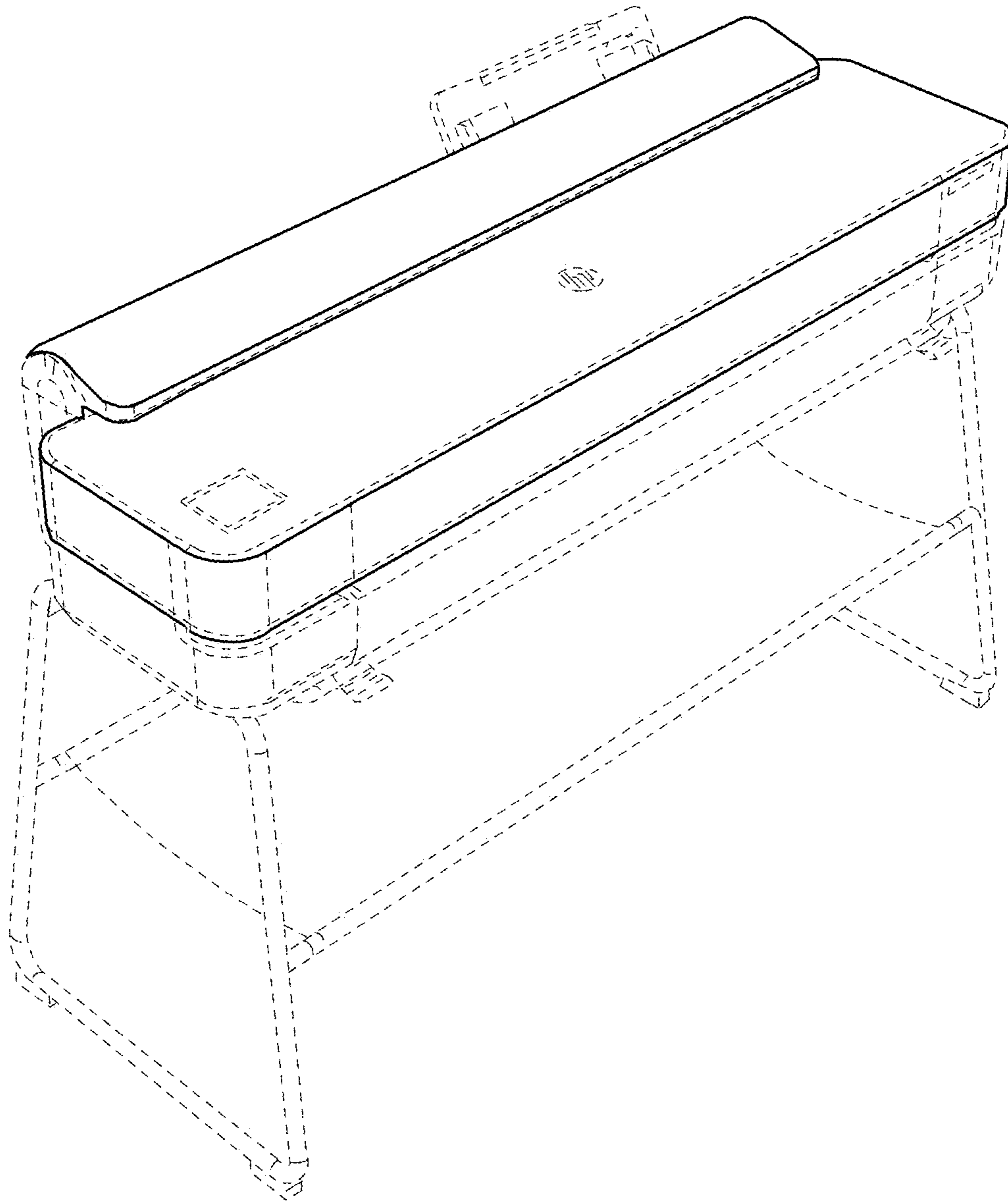


FIG. 1

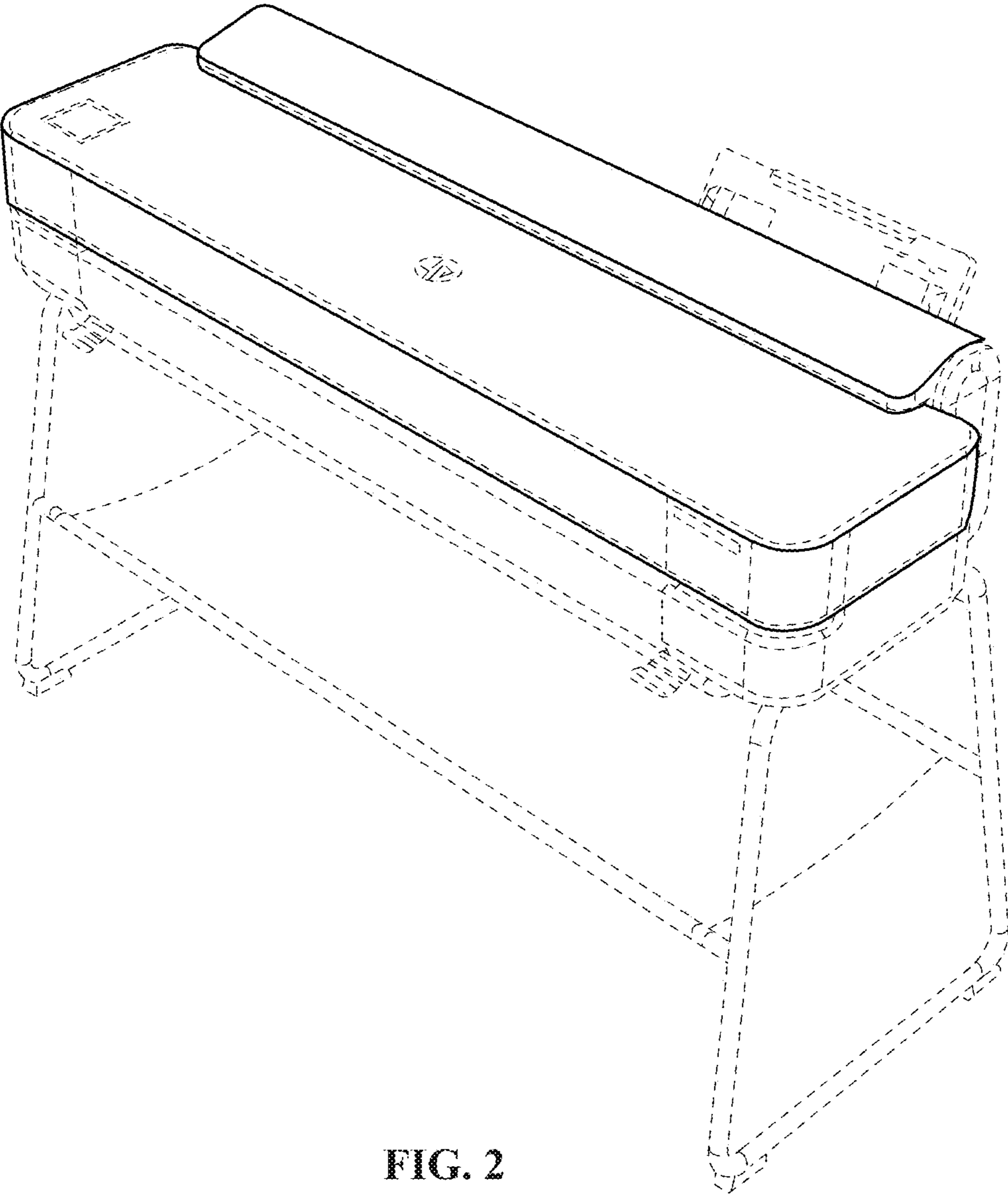


FIG. 2

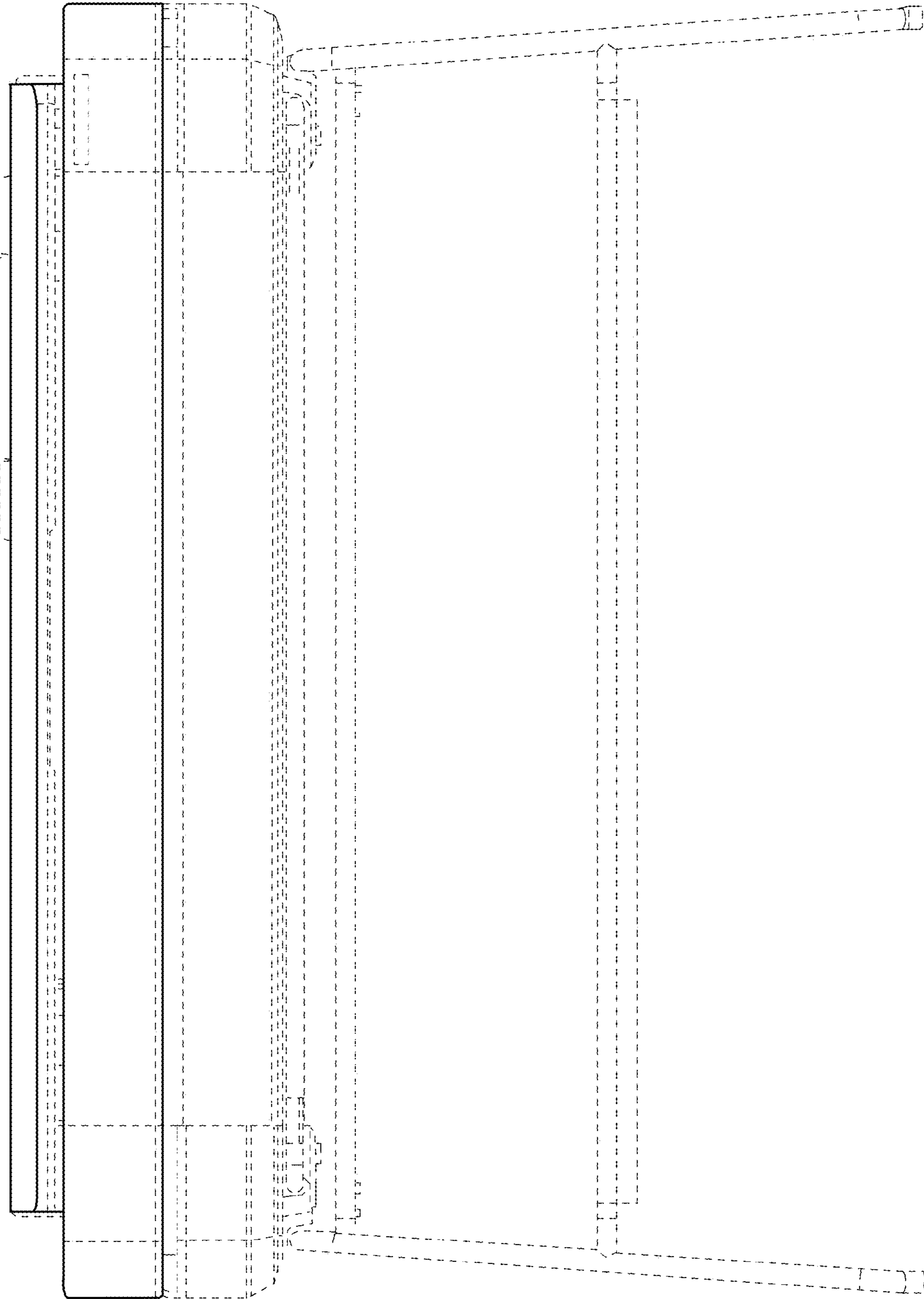


FIG. 3

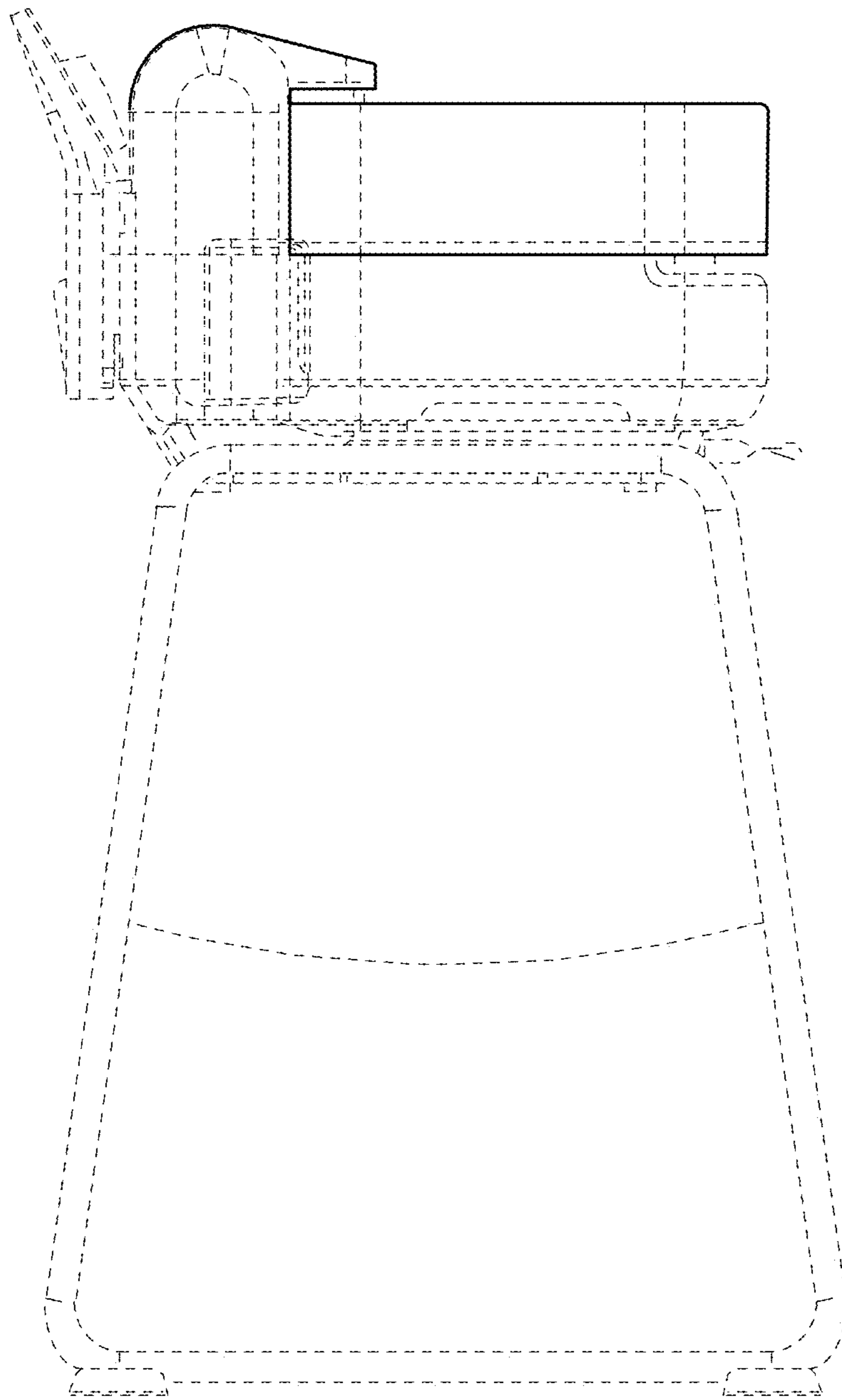


FIG. 4

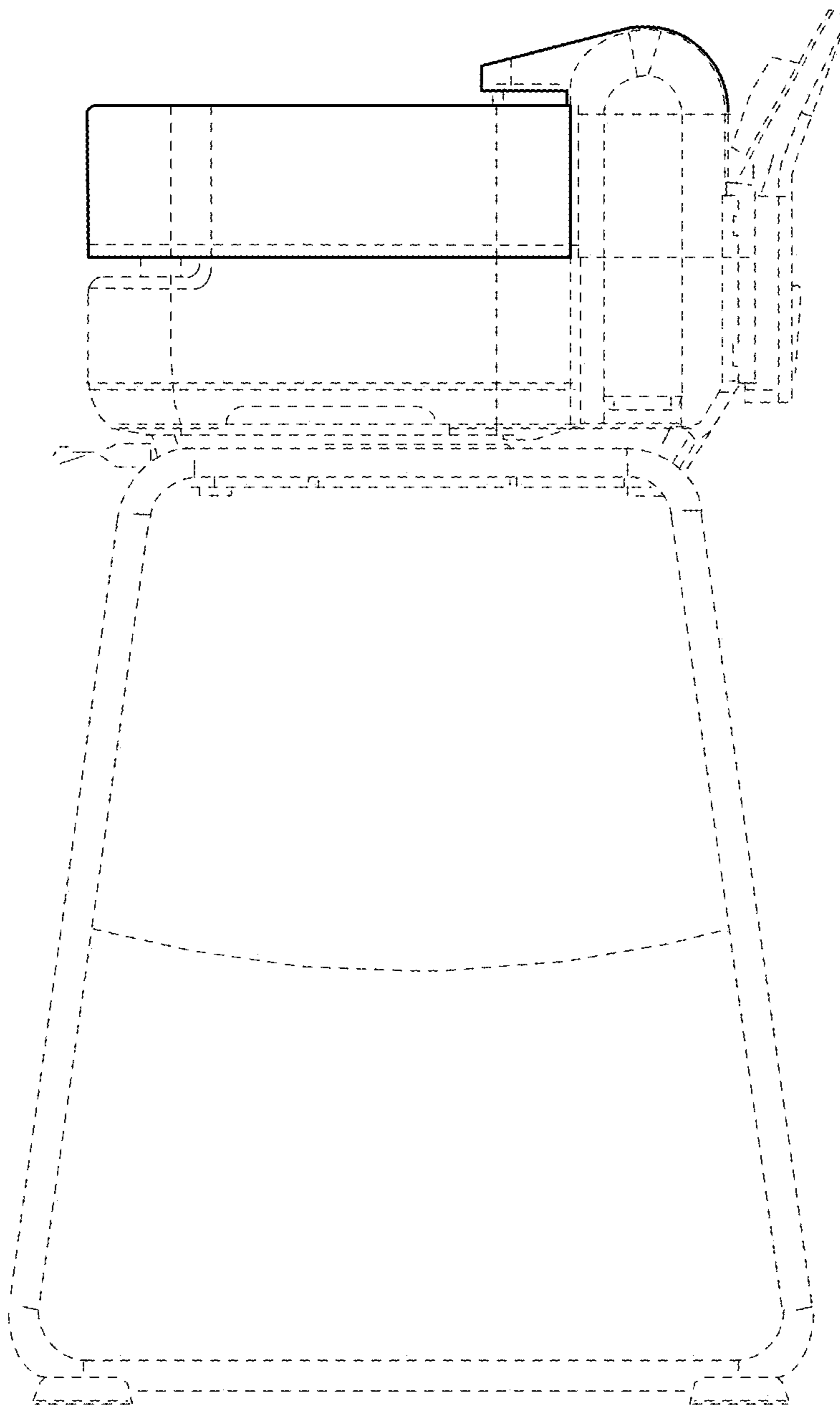


FIG. 5

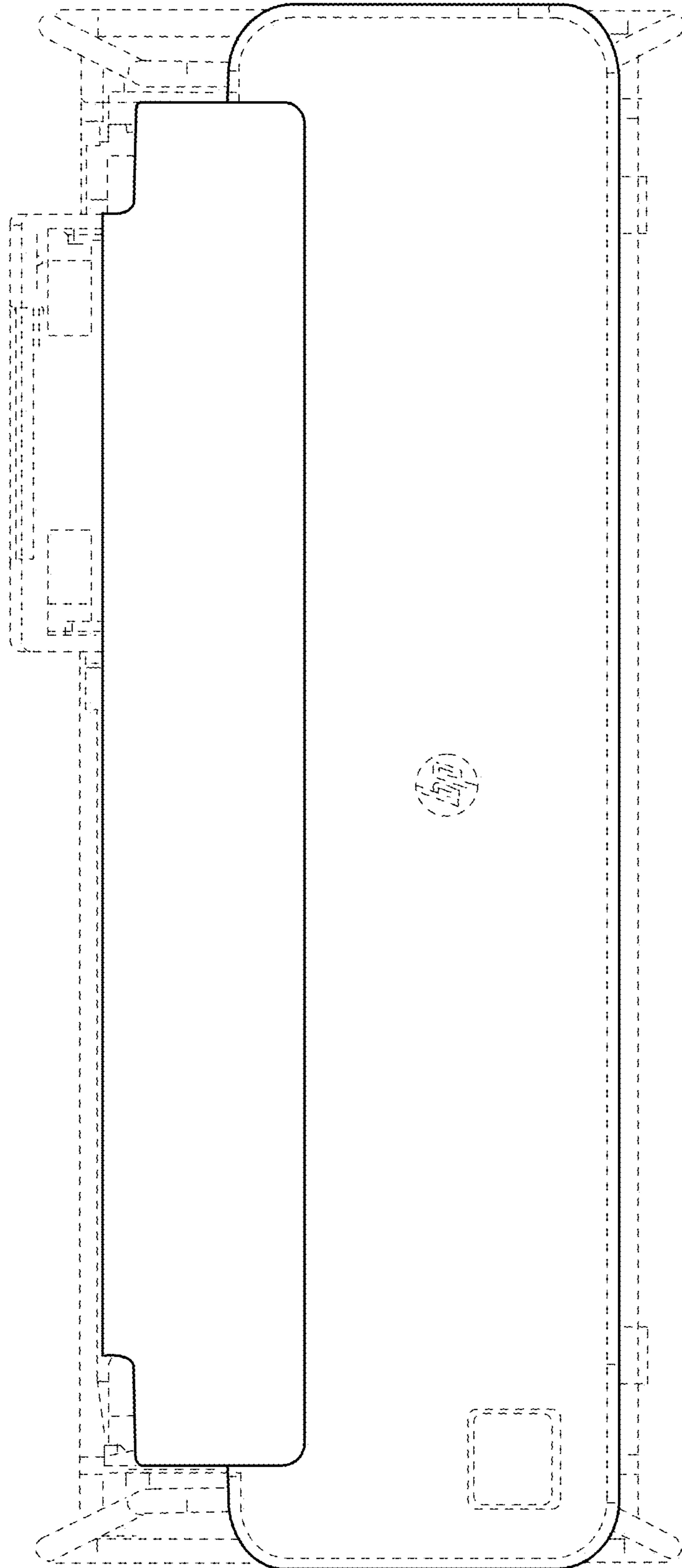


FIG. 6