



US00D984526S

(12) **United States Design Patent**  
**Zhang**

(10) **Patent No.:** **US D984,526 S**  
(45) **Date of Patent:** **\*\* Apr. 25, 2023**

(54) **MUSIC TESLA COIL**

(71) Applicant: **Yi Zhang**, Wuhan (CN)

(72) Inventor: **Yi Zhang**, Wuhan (CN)

(\*\*) Term: **15 Years**

(21) Appl. No.: **29/765,106**

(22) Filed: **Jan. 6, 2021**

(51) **LOC (14) Cl.** ..... **17-99**

(52) **U.S. Cl.**  
USPC ..... **D17/99**

(58) **Field of Classification Search**  
USPC ..... D17/99; D21/405; D14/168, 203, 222  
CPC ..... H04R 23/006; H01J 2893/0063  
See application file for complete search history.

(56) **References Cited**

U.S. PATENT DOCUMENTS

D220,368	S *	3/1971	Levow	.....	D14/203
D234,315	S *	2/1975	Mansfield	.....	D14/203
D234,440	S *	3/1975	Iida	.....	D14/168
D240,075	S *	5/1976	Wilkes	.....	D14/203
D512,409	S *	12/2005	Ishizaki	.....	D14/168
D553,118	S	10/2007	Williamson et al.		
D583,798	S *	12/2008	Iijima	.....	D14/496
9,605,881	B2 *	3/2017	Ludwig	.....	H01L 23/38
D891,392	S *	7/2020	Peng	.....	D14/203
D904,997	S *	12/2020	Kim	.....	D14/203
D947,931	S *	4/2022	Xu	.....	D17/24
2008/0046098	A1 *	2/2008	Corbin	.....	G11B 27/005
					700/1

OTHER PUBLICATIONS

Amazon.com. [https://www.amazon.com/Joytech-Bluetooth-Loudspeaker-Transmission-Experiment/dp/B09FXM4WTG/ref=sr\\_1\\_73?keywords=music+tesla+coil&qid=1678299659&srefix=music+tesla%2Caps%2C110&sr=8-73](https://www.amazon.com/Joytech-Bluetooth-Loudspeaker-Transmission-Experiment/dp/B09FXM4WTG/ref=sr_1_73?keywords=music+tesla+coil&qid=1678299659&srefix=music+tesla%2Caps%2C110&sr=8-73). "Joytech Bluetooth Music Tesla Coil Arc Plasma Loudspeaker . . ." Date Unknown: Viewed Mar. 2023 (Year: 2023).\*

Amazon.com. [https://www.amazon.com/Touchable-Artificial-Divvlur-Transmission-Experimental/dp/B0BB1T3D3V/ref=sr\\_1\\_26?keywords=music+tesla+coil&qid=1678299573&srefix=music+tesla%2Caps%2C110&sr=8-26](https://www.amazon.com/Touchable-Artificial-Divvlur-Transmission-Experimental/dp/B0BB1T3D3V/ref=sr_1_26?keywords=music+tesla+coil&qid=1678299573&srefix=music+tesla%2Caps%2C110&sr=8-26). "Music Tesla Coil Touchable Artificial Lightning Arc Generator . . ." Date Unknown: Viewed Mar. 2023 (Year: 2023).\*

Amazon.com. [https://www.amazon.com/Joytech-Bluetooth-Loudspeaker-Transmission-Experiment/dp/B0BCP7G9R4/ref=sr\\_1\\_8?keywords=music+tesla+coil&qid=1678298921&srefix=music+tesla%2Caps%2C110&sr=8-8](https://www.amazon.com/Joytech-Bluetooth-Loudspeaker-Transmission-Experiment/dp/B0BCP7G9R4/ref=sr_1_8?keywords=music+tesla+coil&qid=1678298921&srefix=music+tesla%2Caps%2C110&sr=8-8). "Joytech Mini Bluetooth Music Tesla Coil Arc Plasma Loudspeaker . . ." Date Unknown: Viewed Mar. 2023 (Year: 2023).\*

\* cited by examiner

*Primary Examiner* — R. Johnson

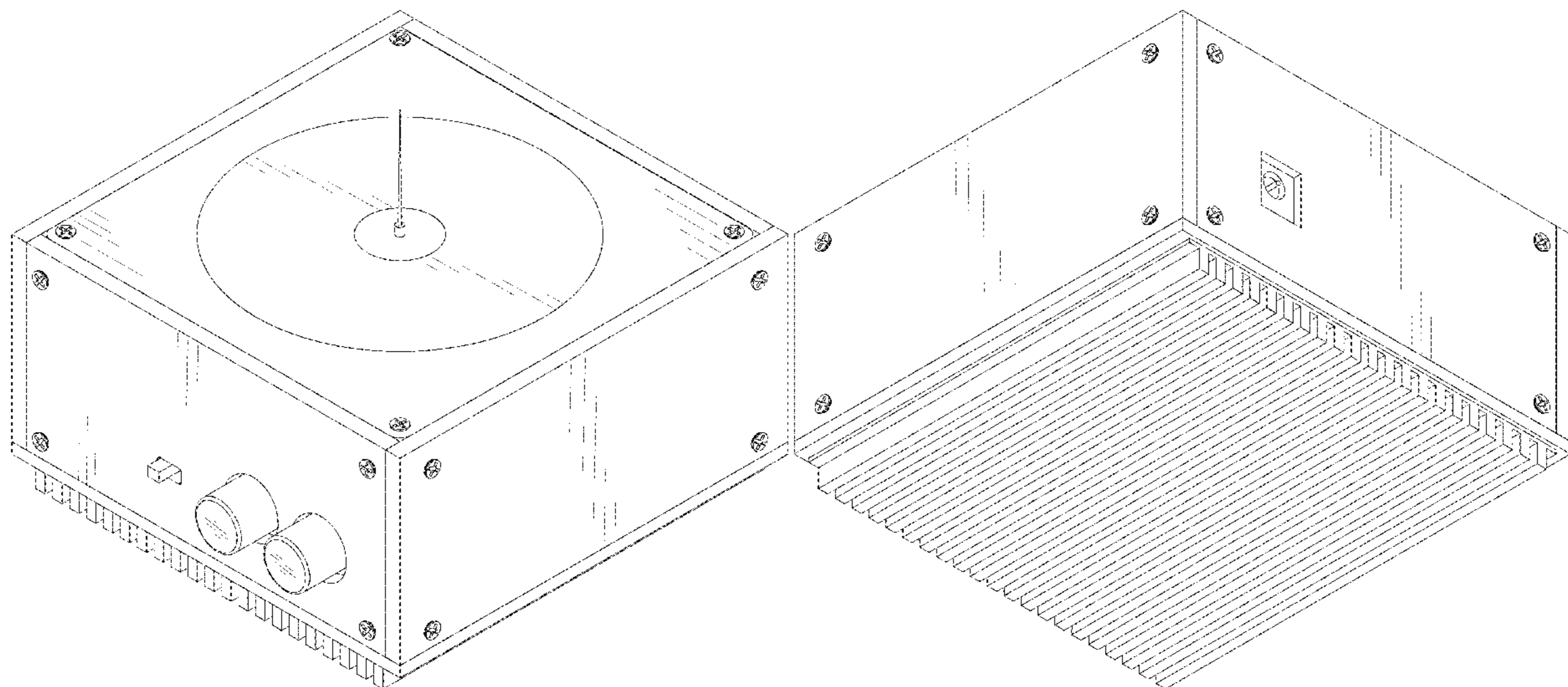
(57) **CLAIM**

The ornamental design for a music tesla coil, as shown and described.

**DESCRIPTION**

FIG. 1 is a front, top perspective view of the music tesla coil showing my new design;  
FIG. 2 is a rear, top perspective view thereof;  
FIG. 3 is a front elevation view thereof;  
FIG. 4 is a rear elevation view thereof;  
FIG. 5 is a left side elevation view thereof;  
FIG. 6 is a right side elevation view thereof;  
FIG. 7 is a top plan view thereof; and,  
FIG. 8 is a bottom plan view thereof.

**1 Claim, 8 Drawing Sheets**



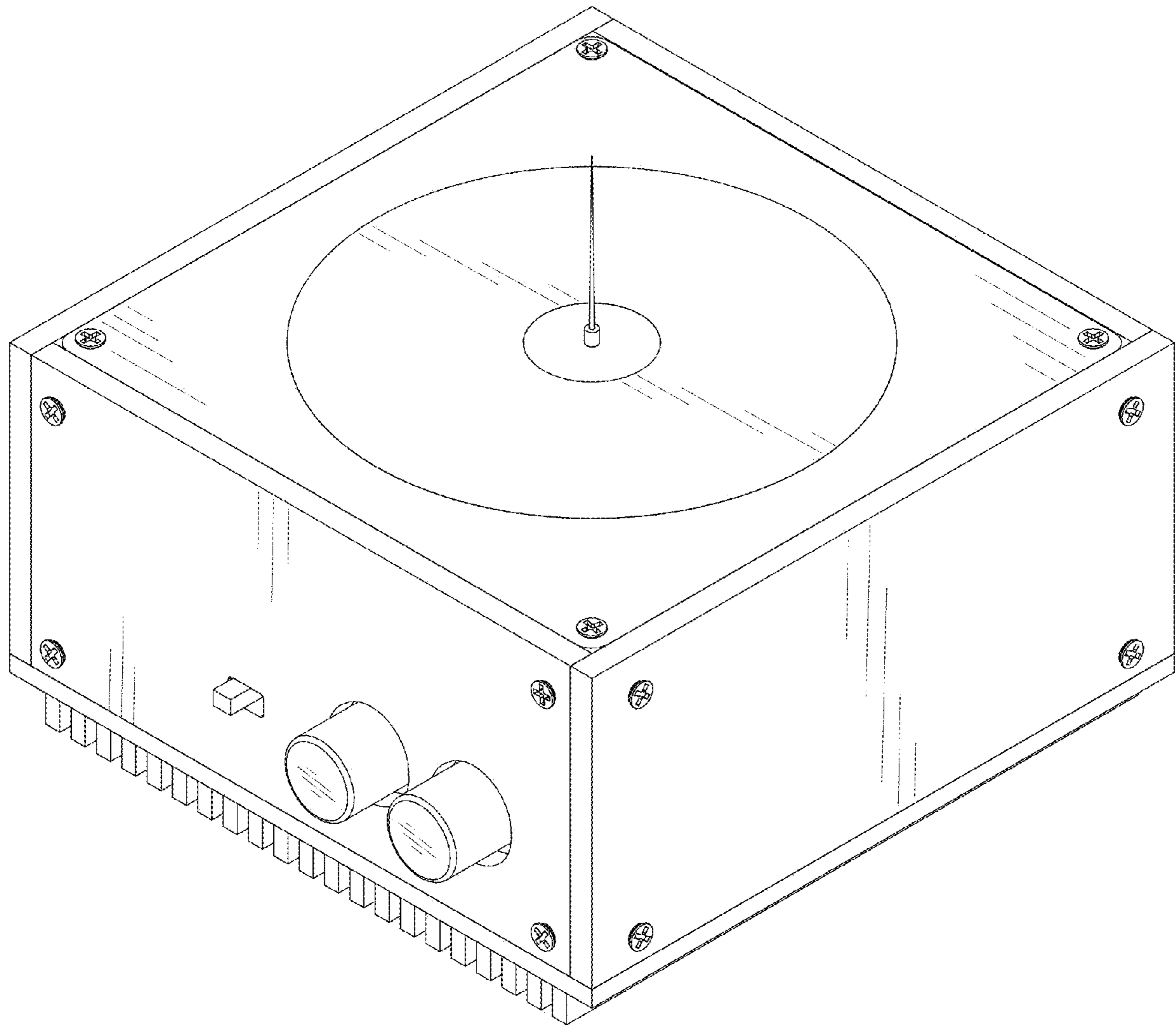


FIG. 1

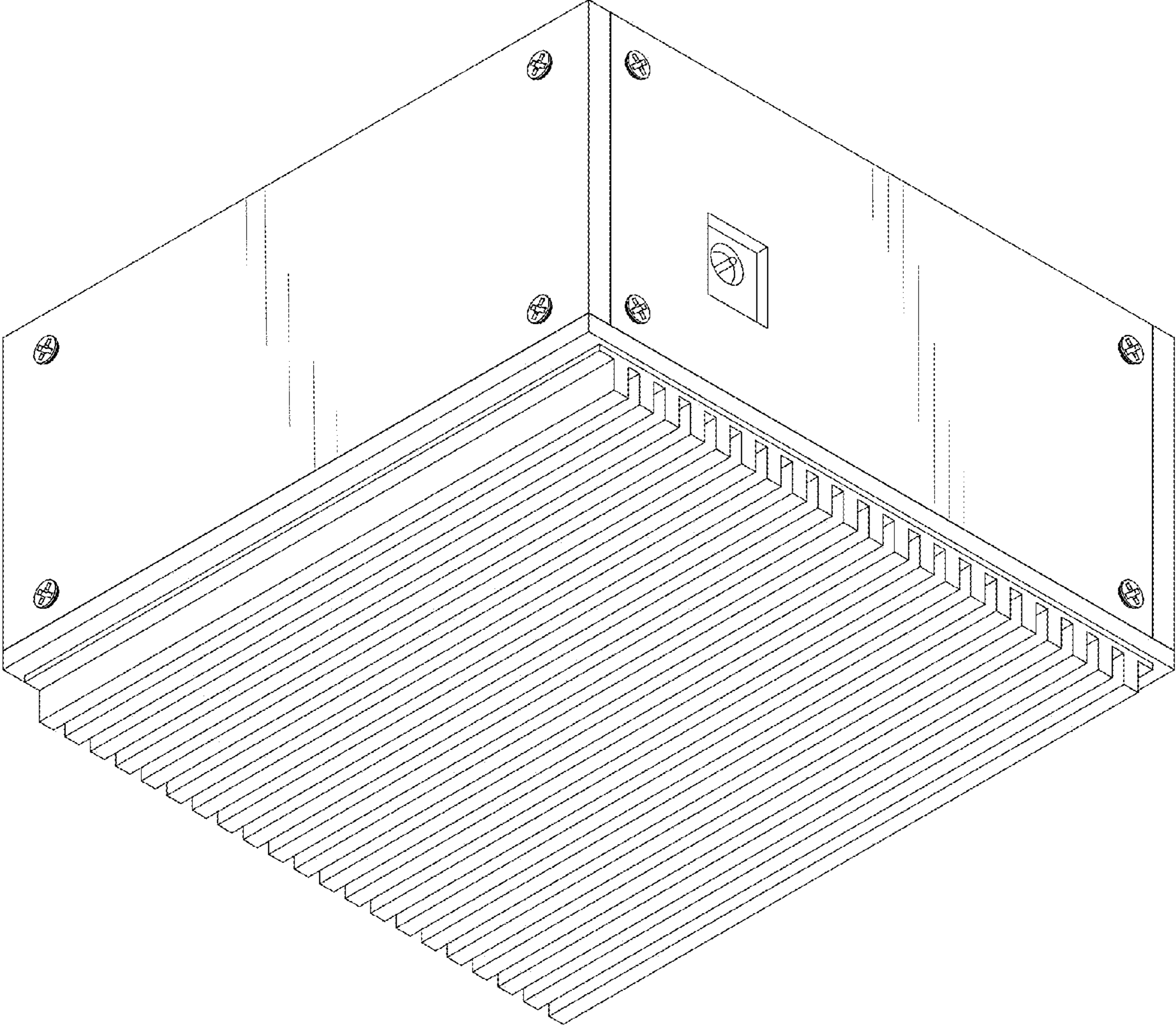


FIG. 2

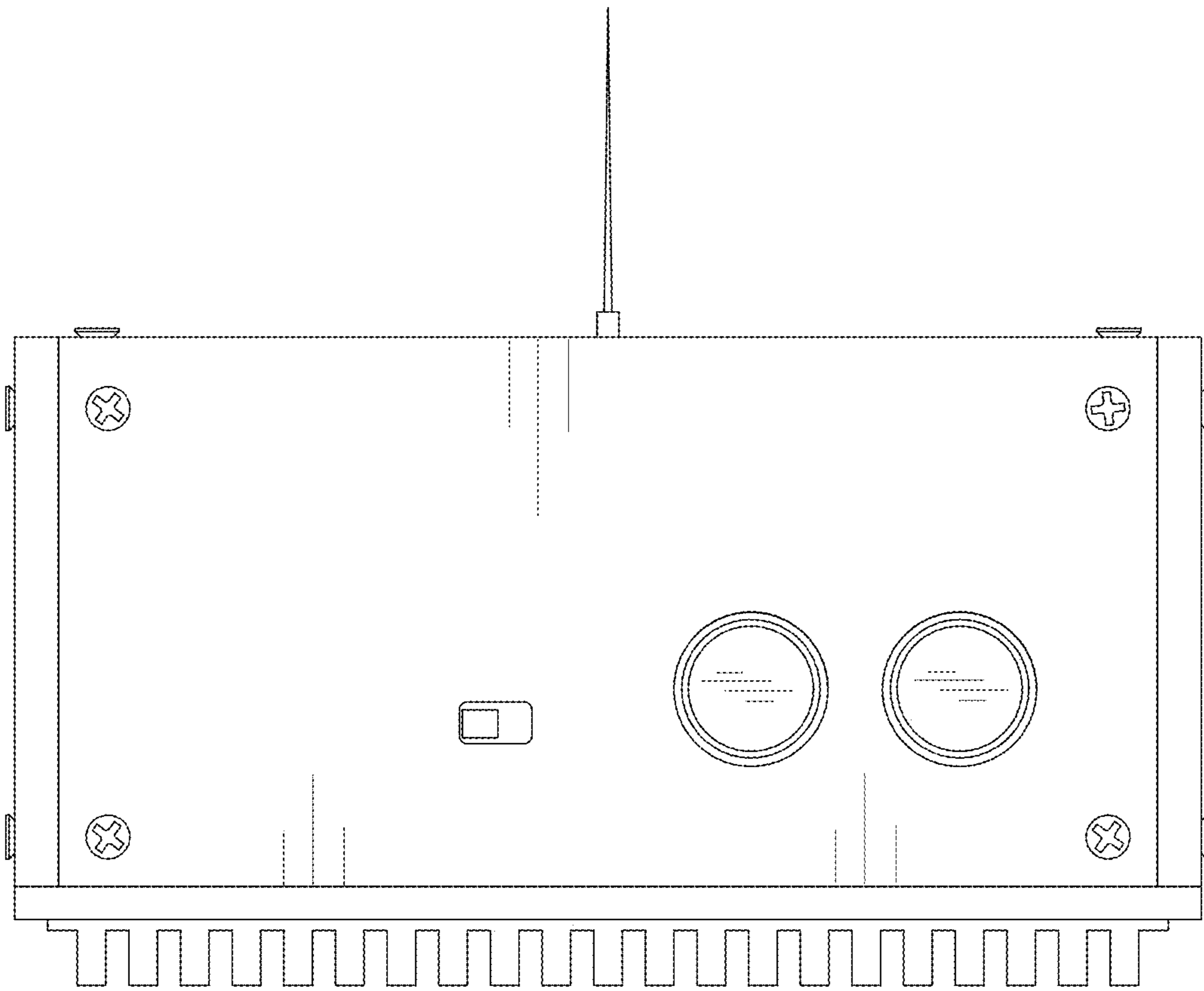


FIG. 3

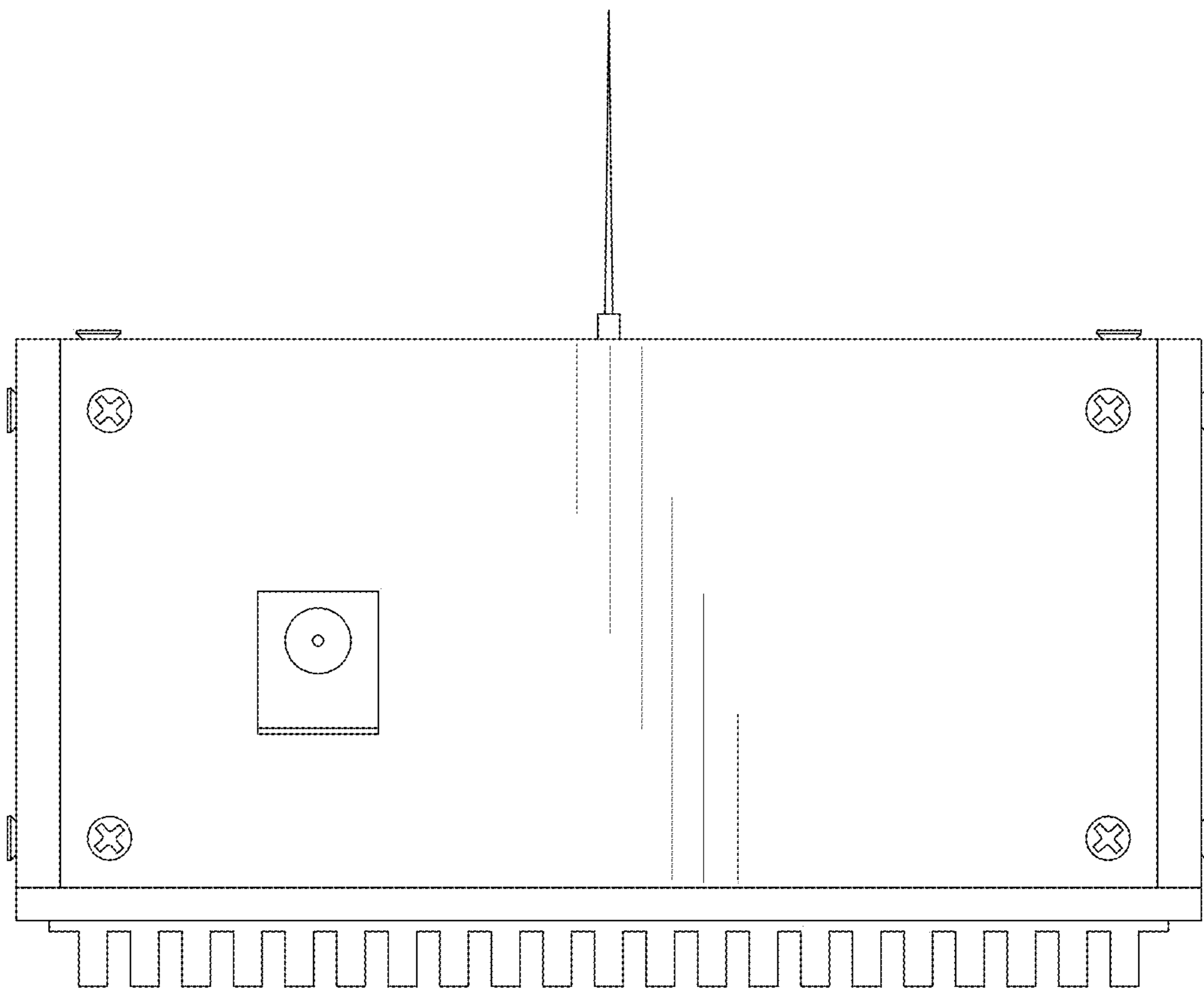


FIG. 4

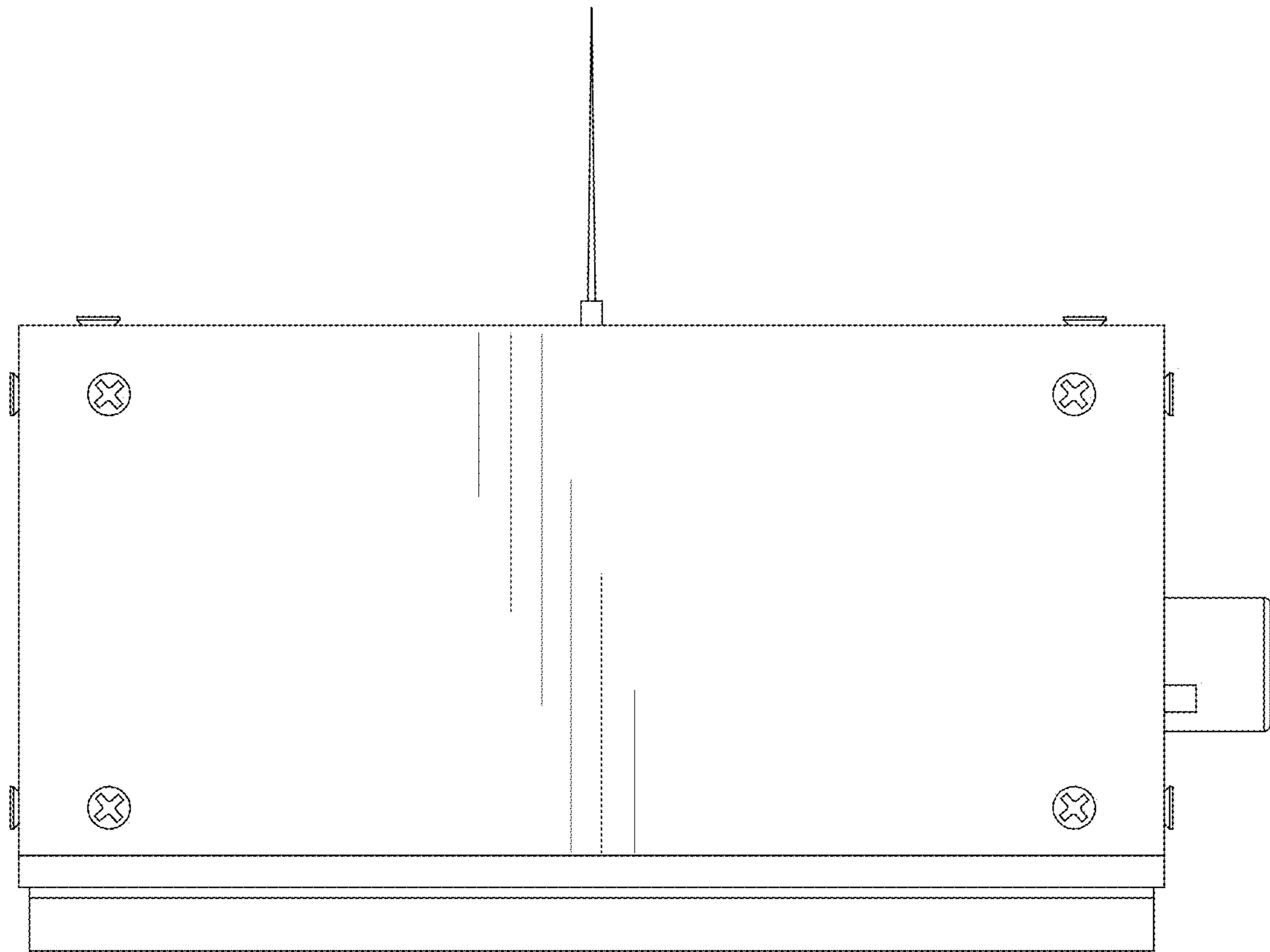


FIG. 5

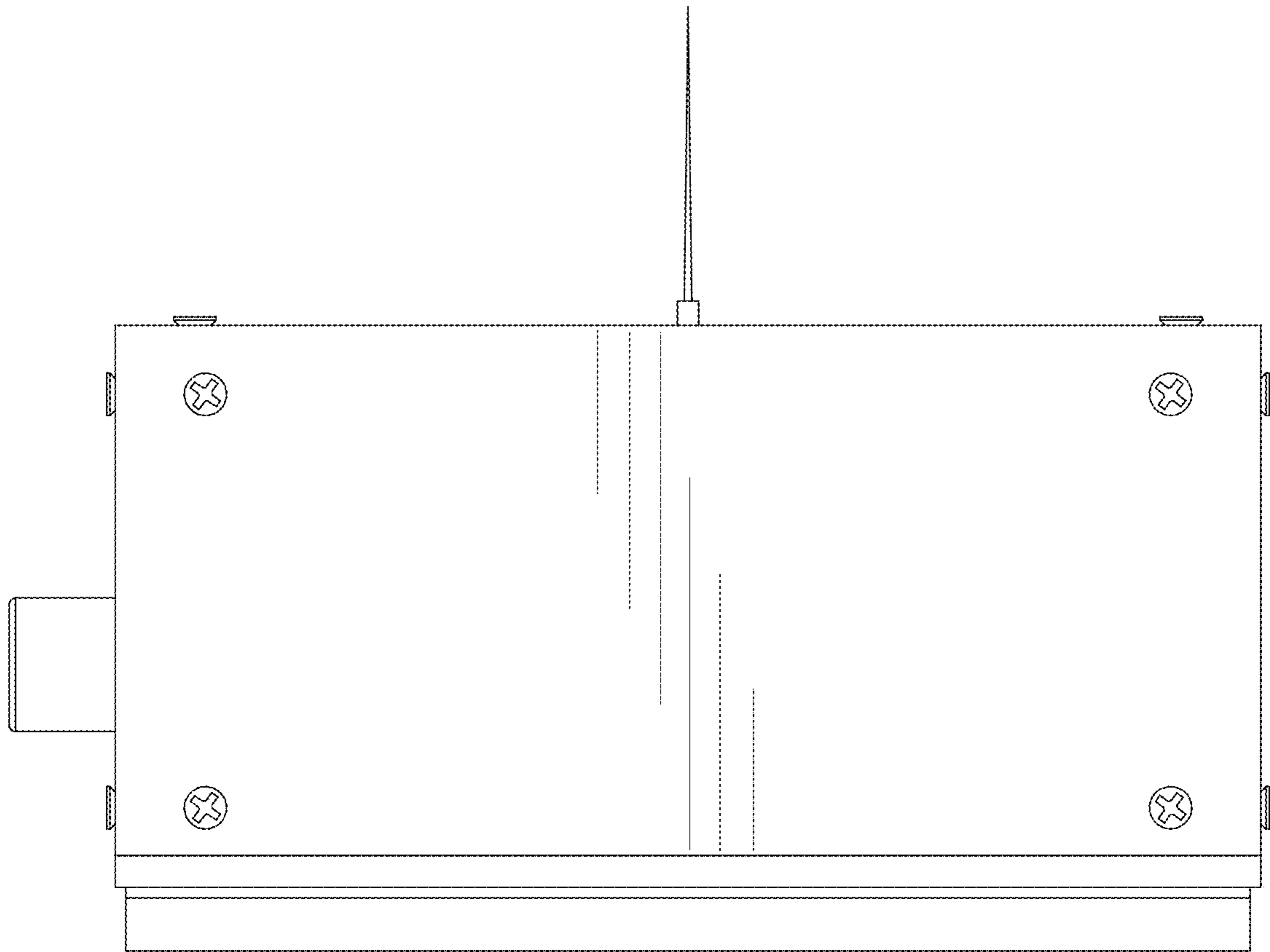


FIG. 6

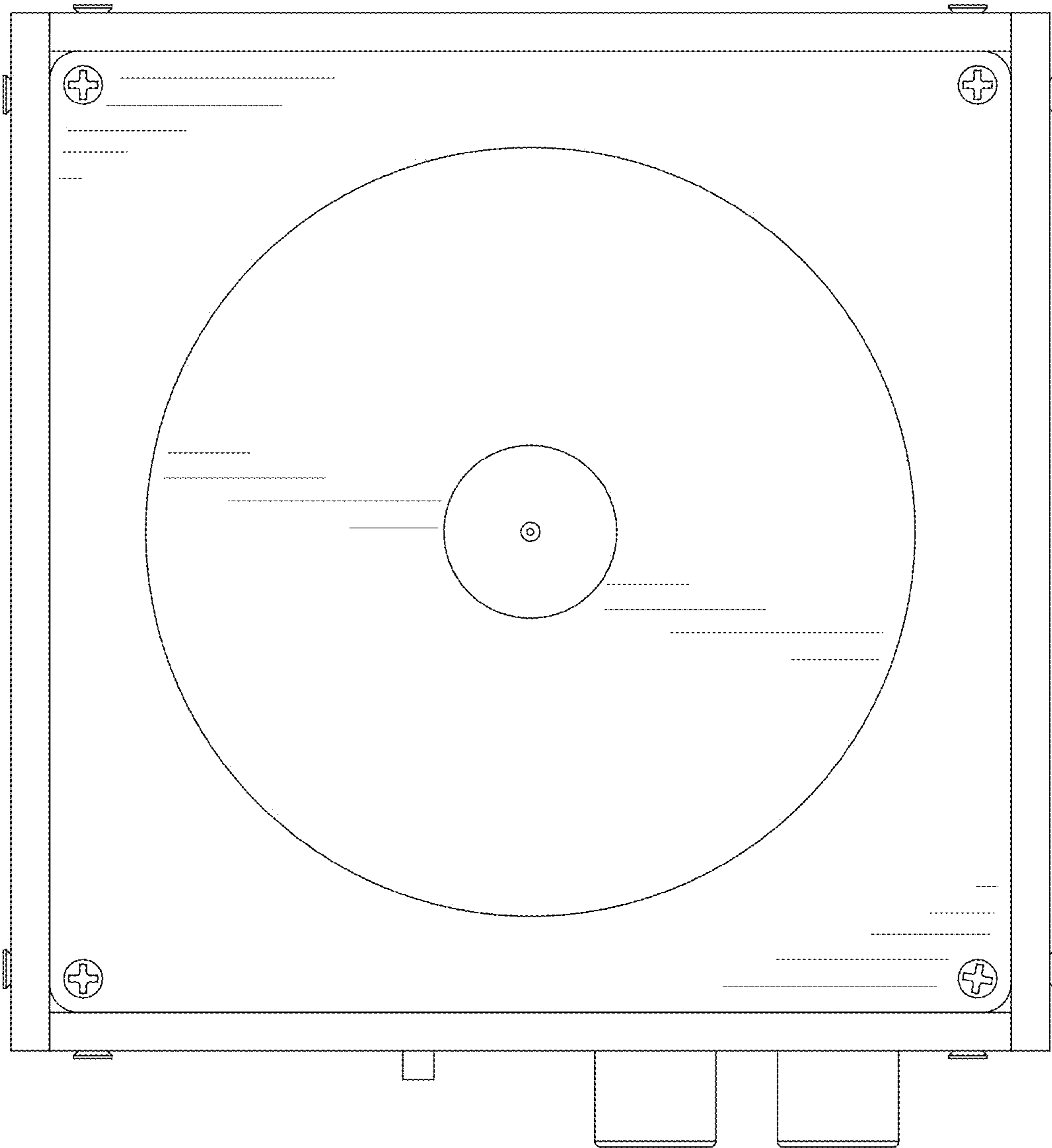


FIG. 7



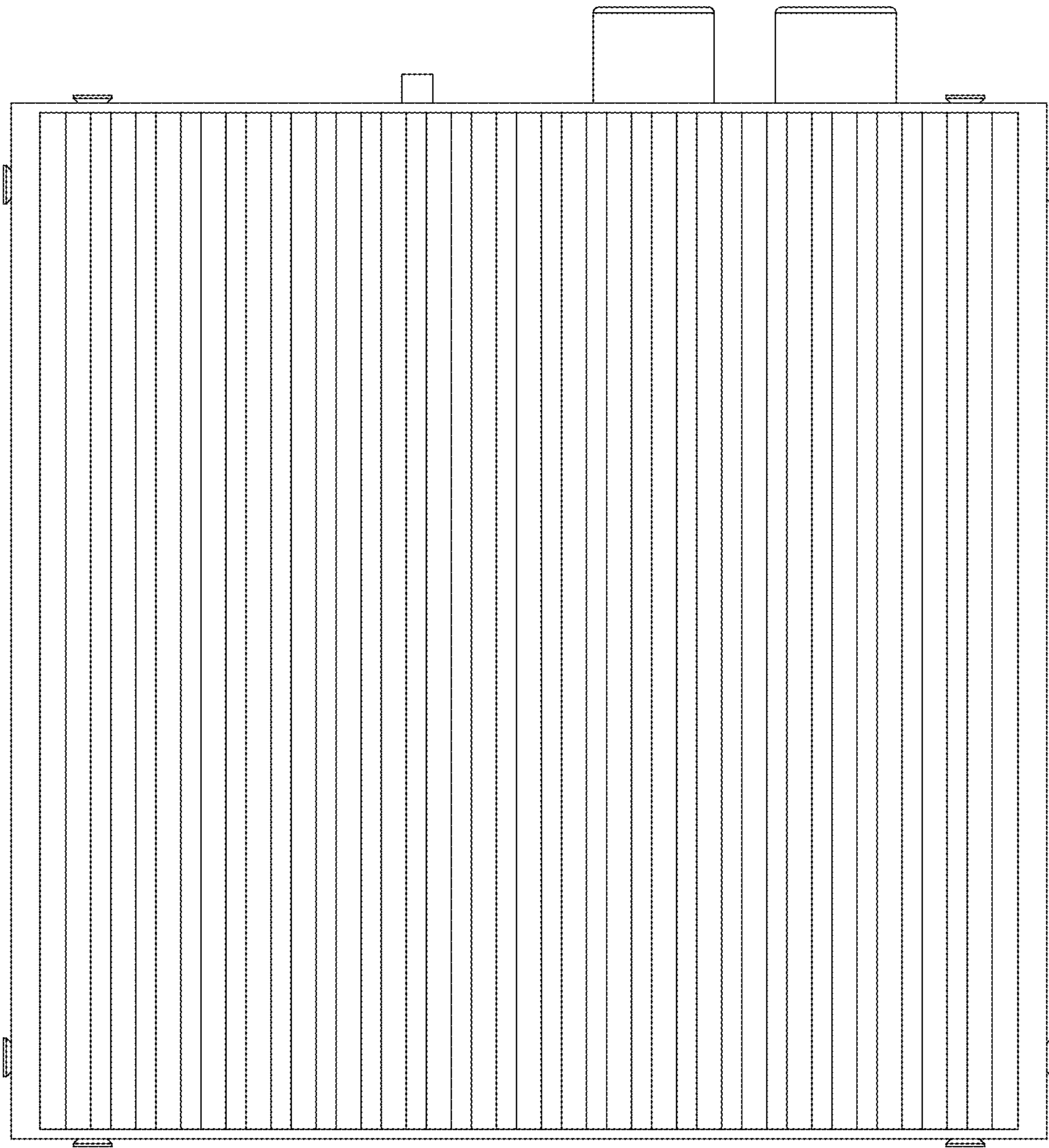


FIG. 8